



US00D948420S

(12) **United States Design Patent**
Costain et al.

(10) **Patent No.:** **US D948,420 S**
(45) **Date of Patent:** **** Apr. 12, 2022**

(54) **SOLAR SIDING PANEL**
(71) Applicant: **RoCo Industries Inc.**, Ottawa (CA)
(72) Inventors: **Roderick Costain**, Nepean (CA); **Anan Abushusheh**, Ottawa (CA)
(73) Assignee: **RoCo Industries Inc.**, Ottawa (CA)
(**) Term: **15 Years**
(21) Appl. No.: **29/771,458**
(22) Filed: **Feb. 23, 2021**
(51) **LOC (13) Cl.** **13-02**
(52) **U.S. Cl.**
USPC **D13/102**
(58) **Field of Classification Search**
USPC D13/101, 102, 118, 155, 177, 184, 199;
D8/349, 353, 354; D25/60, 121, 138,
D25/139, 140, 141, 163
CPC H02J 7/02; H02J 7/35; H02J 7/355; H02J
7/007; H02S 40/30; H02S 40/32; H02S
40/36; H02S 40/38; H02S 10/40; H02S
20/26; H01L 31/02; H01L 31/042; H01L
31/045; H01L 31/046; H01L 31/048;
H01L 31/052; H01L 31/0504; H01L
31/0508; H01L 31/0512; H01L 31/0516;
H01L 31/0232; Y02E 10/50; Y02E 10/52;
Y02E 10/544
See application file for complete search history.

D653,611 S * 2/2012 Lee D13/102
8,695,290 B1 * 4/2014 Kim F24S 25/67
52/843
8,943,766 B2 * 2/2015 Gombarick, Jr. H02S 20/23
52/173.3
9,147,785 B2 * 9/2015 Haddock H01L 31/048
D844,551 S * 4/2019 Wang D13/102
D863,604 S * 10/2019 Sexton D25/139
D875,515 S * 2/2020 Pretorius D8/394
10,734,939 B2 * 8/2020 Hall H02S 40/42
2009/0178350 A1 * 7/2009 Kalkanoglu E04F 13/0864
52/173.3

* cited by examiner

Primary Examiner — Derrick E Holland

(74) *Attorney, Agent, or Firm* — Stratford Group Ltd.

(57) **CLAIM**

The ornamental design for a solar siding panel, as shown and described.

DESCRIPTION

FIG. 1 is an isometric view of a solar siding panel showing the new design;
FIG. 2 is a front view thereof;
FIG. 3 is a rear view thereof;
FIG. 4 is a top view thereof;
FIG. 5 is a bottom view thereof;
FIG. 6 is a left side view thereof; and,
FIG. 7 is a right side view thereof.
The solar siding panel is shown with a symbolic break in its length. The appearance of any portion of the article between the break lines forms no part of the claimed design.

1 Claim, 5 Drawing Sheets

(56) **References Cited**

U.S. PATENT DOCUMENTS

D397,990 S * 9/1998 Fukuhara D13/102
D576,107 S * 9/2008 Sayres D13/155

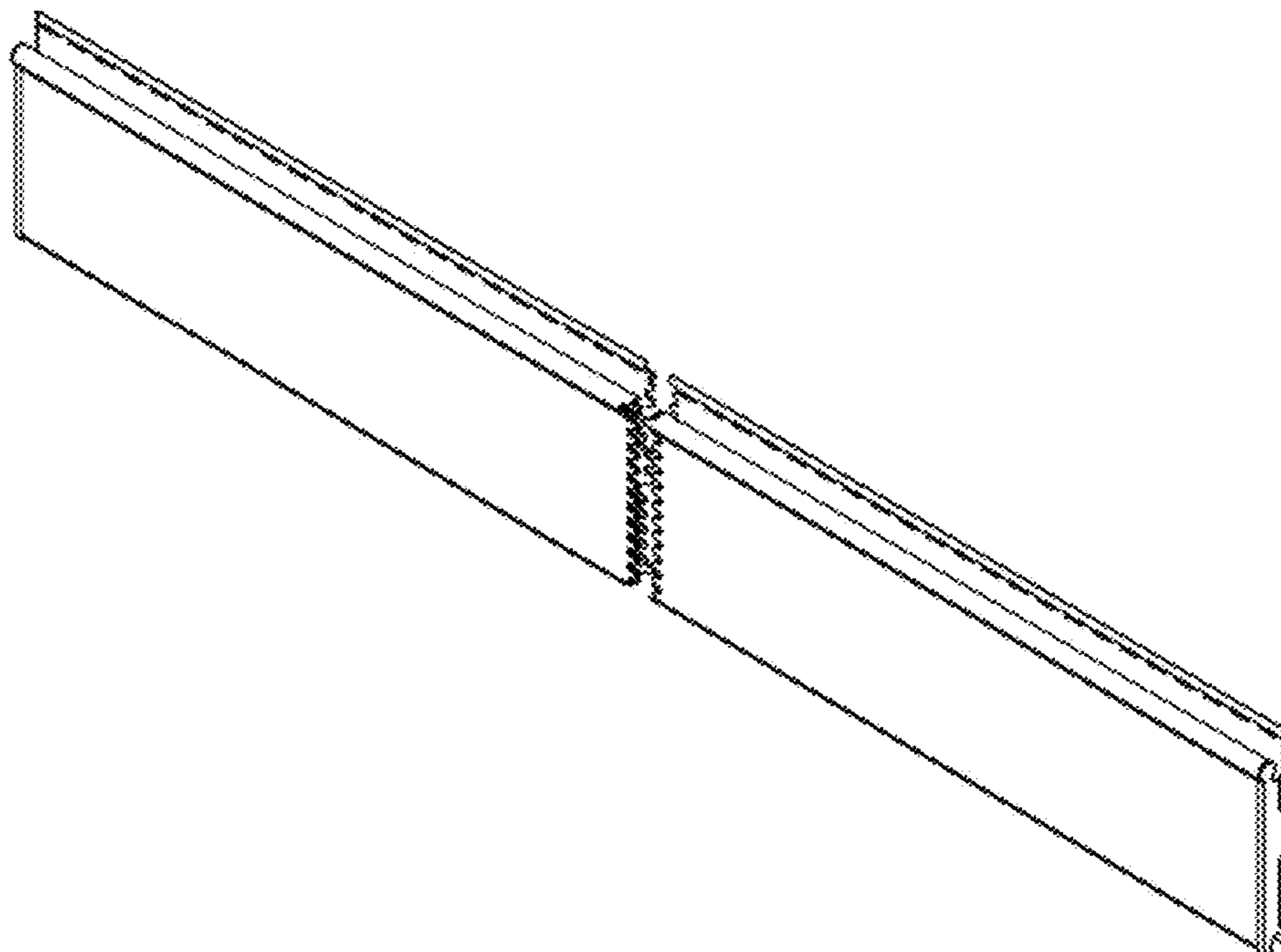


Figure 1

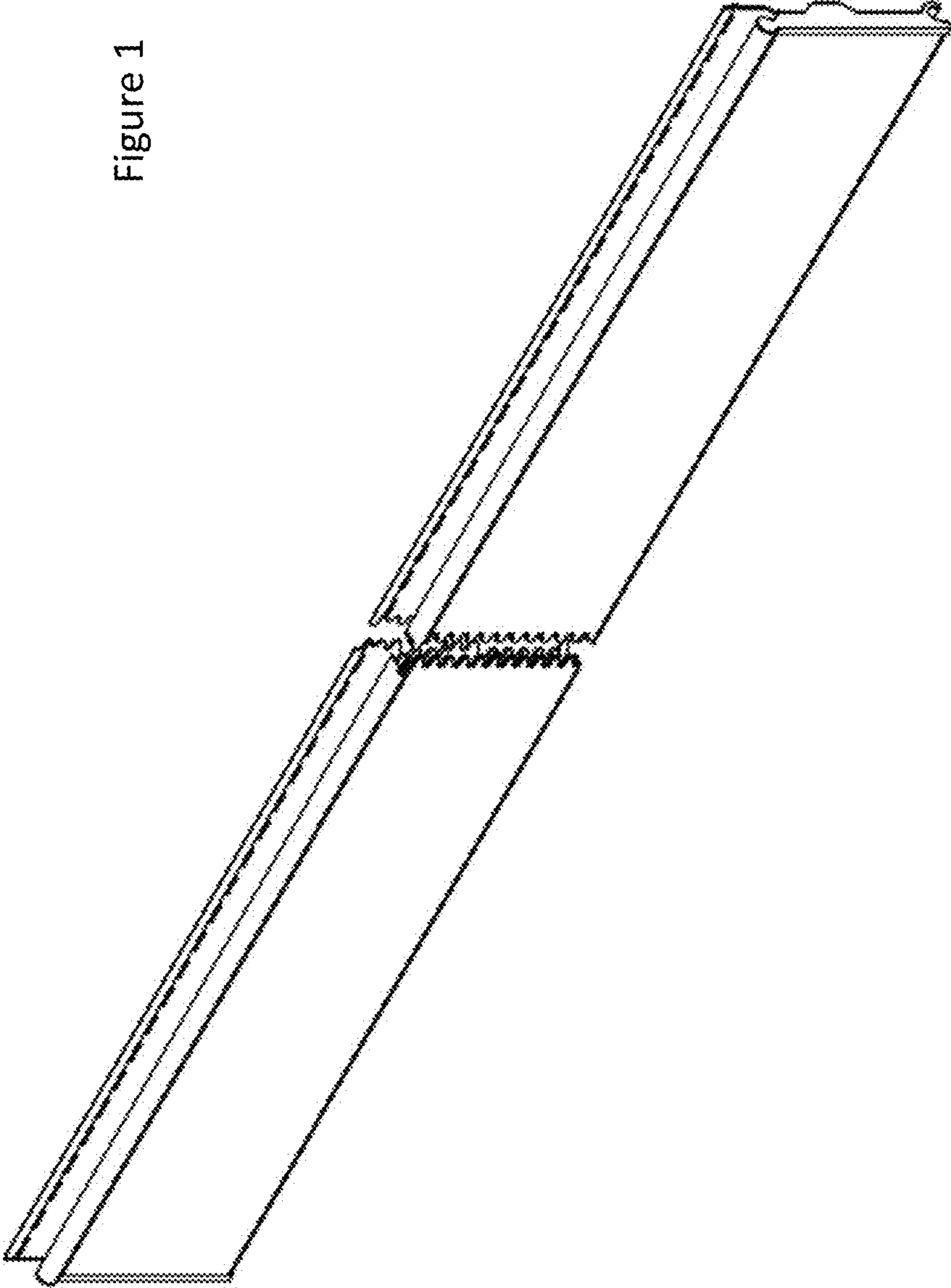


Figure 2

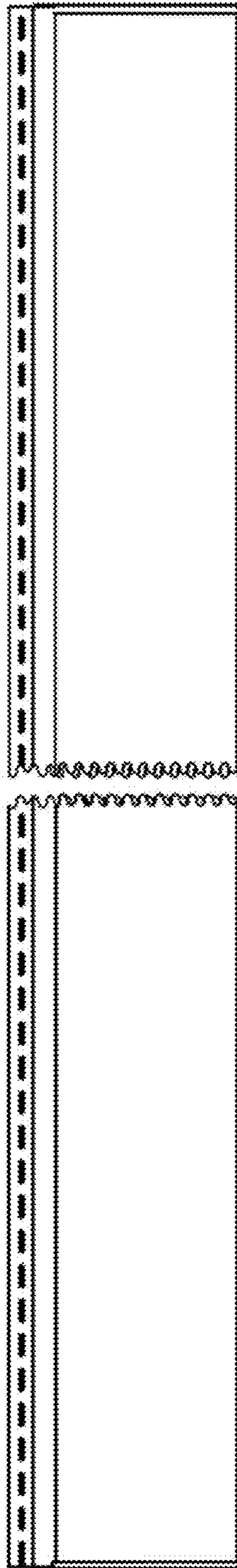


Figure 3

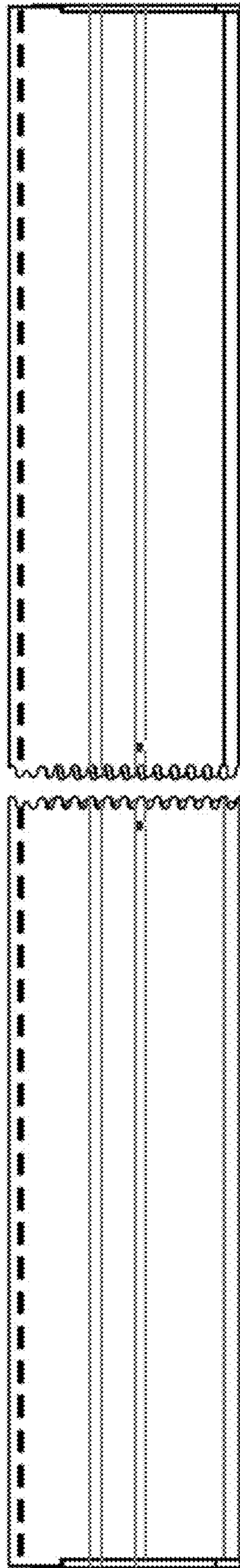


Figure 4

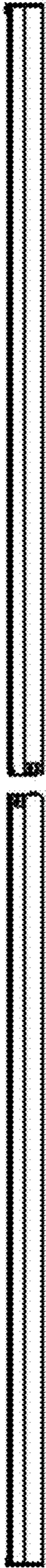


Figure 5



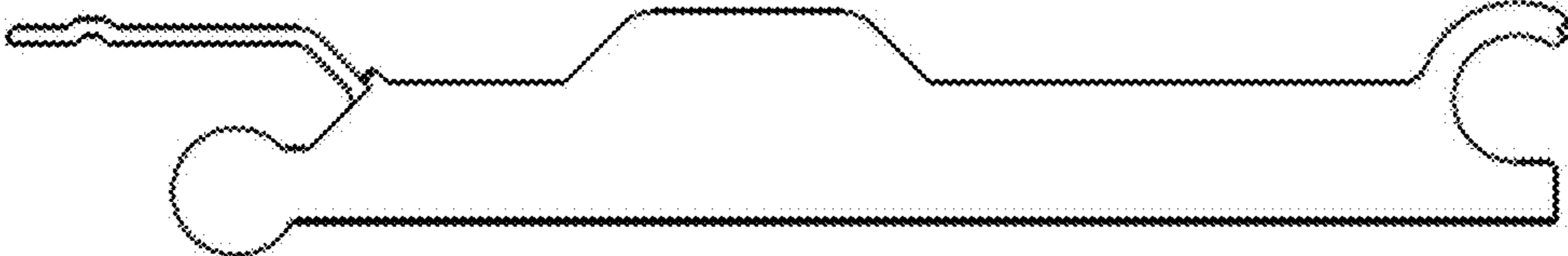


Figure 7



Figure 6