



US00D948419S

(12) **United States Design Patent** (10) **Patent No.:** **US D948,419 S**
Wu (45) **Date of Patent:** **** Apr. 12, 2022**

(54) **LAMP CONTROLLER**

Primary Examiner — Manpreet S Matharu

(71) Applicant: **Shenzhen Tairan Lighting Co., Ltd.**,
Shenzhen (CN)

Assistant Examiner — Suzanne E Tisdell

(74) *Attorney, Agent, or Firm* — Hemisphere Law, PLLC;
Zhigang Ma

(72) Inventor: **Yingxiang Wu**, Shenzhen (CN)

(73) Assignee: **SHENZHEN TAIRAN LIGHTING
CO., LTD.**, Shenzhen (CN)

(57) **CLAIM**

The ornamental design for a lamp controller, as shown and described.

(**) Term: **15 Years**

(21) Appl. No.: **29/764,456**

(22) Filed: **Dec. 30, 2020**

DESCRIPTION

(30) **Foreign Application Priority Data**

Dec. 22, 2020 (CN) 202030793154.7

(51) **LOC (13) Cl.** **13-02**

(52) **U.S. Cl.**
USPC **D13/102**

(58) **Field of Classification Search**
USPC D10/104.1; D13/101, 102, 103, 107,
D13/109, 118, 119, 184, 199; D14/371,
(Continued)

FIG. 1 is a front elevational view of a lamp controller comprising a first embodiment of my new design; FIG. 2 is a rear elevational view thereof; FIG. 3 is a left side elevational view thereof; FIG. 4 is a right side elevational view thereof; FIG. 5 is a top plan view thereof; FIG. 6 is a bottom plan view thereof; FIG. 7 is a front, top, right side perspective view thereof; FIG. 8 is a rear, bottom, right side perspective view thereof; FIG. 9 is a rear, top, right side perspective view thereof; FIG. 10 is an enlarged view of a part 11 of the lamp controller in FIG. 7; FIG. 11 is a front elevational view of a lamp controller comprising a second embodiment of my new design; FIG. 12 is a rear elevational view thereof; FIG. 13 is a left side elevational view thereof; FIG. 14 is a right side elevational view thereof; FIG. 15 is a top plan view thereof; FIG. 16 is a bottom plan view thereof; FIG. 17 is a front, top, right side perspective view thereof; FIG. 18 is a rear, bottom, right side perspective view thereof; and, FIG. 19 is an enlarged view of a part 19 of the lamp controller in FIG. 12.

(56) **References Cited**

U.S. PATENT DOCUMENTS

D638,806 S 5/2011 Kim et al.
D854,505 S 7/2019 Sharp et al.
(Continued)

FOREIGN PATENT DOCUMENTS

EM 0068529500026 S 9/2019
GB 6100823 S 9/2019

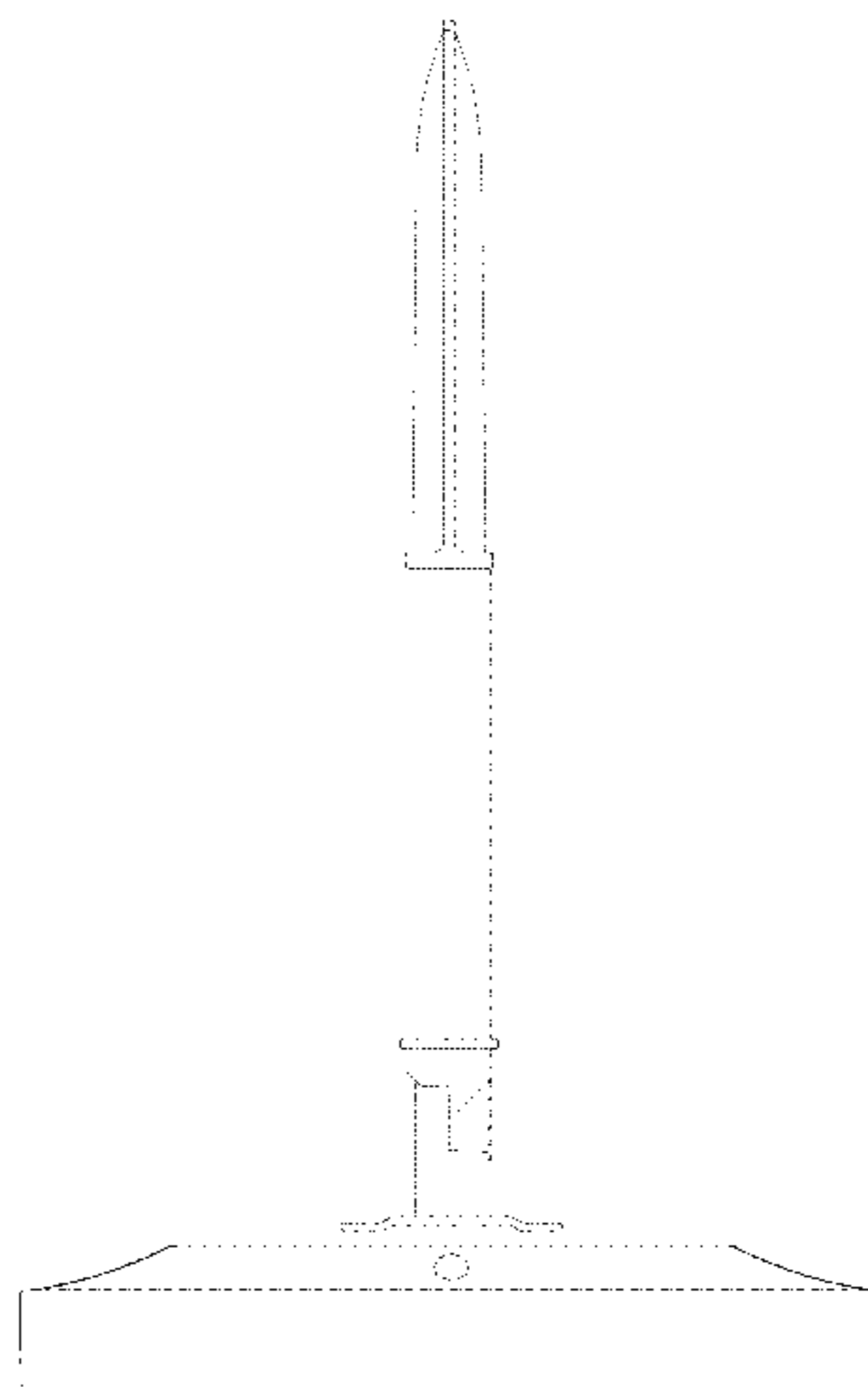
OTHER PUBLICATIONS

Yard Stake Solar Panels (Design—© Questel) orbit.com. [Online PDF compilation of references] 44 pgs. Print Dates Range Jul. 20, 2021-Nov. 8, 2020 [Retrieved Jan. 4, 2022].*

The broken lines immediately adjacent to claim as shown in the drawings represent the boundaries of the claimed design and form no part thereof. All other broken lines are directed to environment and form no part of the claimed design.

(Continued)

1 Claim, 17 Drawing Sheets



US D948,419 S

Page 2

(58) **Field of Classification Search**

USPC D14/432, 439, 441, 447, 451; D21/480,
D21/484; D25/109, 140, 144
CPC .. F21S 8/086; F21S 8/088; F21S 9/032; F21S
9/035; H01L 31/042; H01L 31/022425;
H01L 31/18

See application file for complete search history.

D933,589 S * 10/2021 Thanh Ly D13/102
D934,159 S * 10/2021 Dunn D13/102
D936,566 S * 11/2021 Liang D13/102
D940,063 S * 1/2022 Wen D13/102
D940,064 S * 1/2022 Wen D13/102

OTHER PUBLICATIONS

(56)

References Cited

U.S. PATENT DOCUMENTS

D887,346 S * 6/2020 Abbamonte D13/102
D887,964 S * 6/2020 Abbamonte D13/102
D892,064 S 8/2020 Tang
D898,972 S * 10/2020 Pei D26/67
D908,609 S * 1/2021 Zhu D13/102
D920,228 S * 5/2021 He D13/102
D920,899 S * 6/2021 Weng D13/102
D931,198 S * 9/2021 Liu D13/102
D933,588 S * 10/2021 Li D13/102

Hampton Bay Solar-Integrated LED Rope Light. Before Apr. 21, 2014. Home Depot. <https://www.homedepot.com/p/Hampton-Bay-16-ft-Solar-Integrated-LED-Clear-Rope-Light-with-Solar-Panel-and-Stake-93016/207021636>.*

CLY 60 LEDs Motion Sensor Solar Light. Dec. 21, 2018. Amazon. <https://www.amazon.co.uk/Motion-Security-Daylight-Waterproof-Outdoor/dp/B07DRBVY6K>.*

T Sun Solar Landscape Spotlights. Jun. 11, 2019. Amazon. <https://www.amazon.co.uk/T-SUN-Spotlights-Waterproof-Adjustable-Decorative/dp/B07SYX8NK4?th=1>.*

* cited by examiner

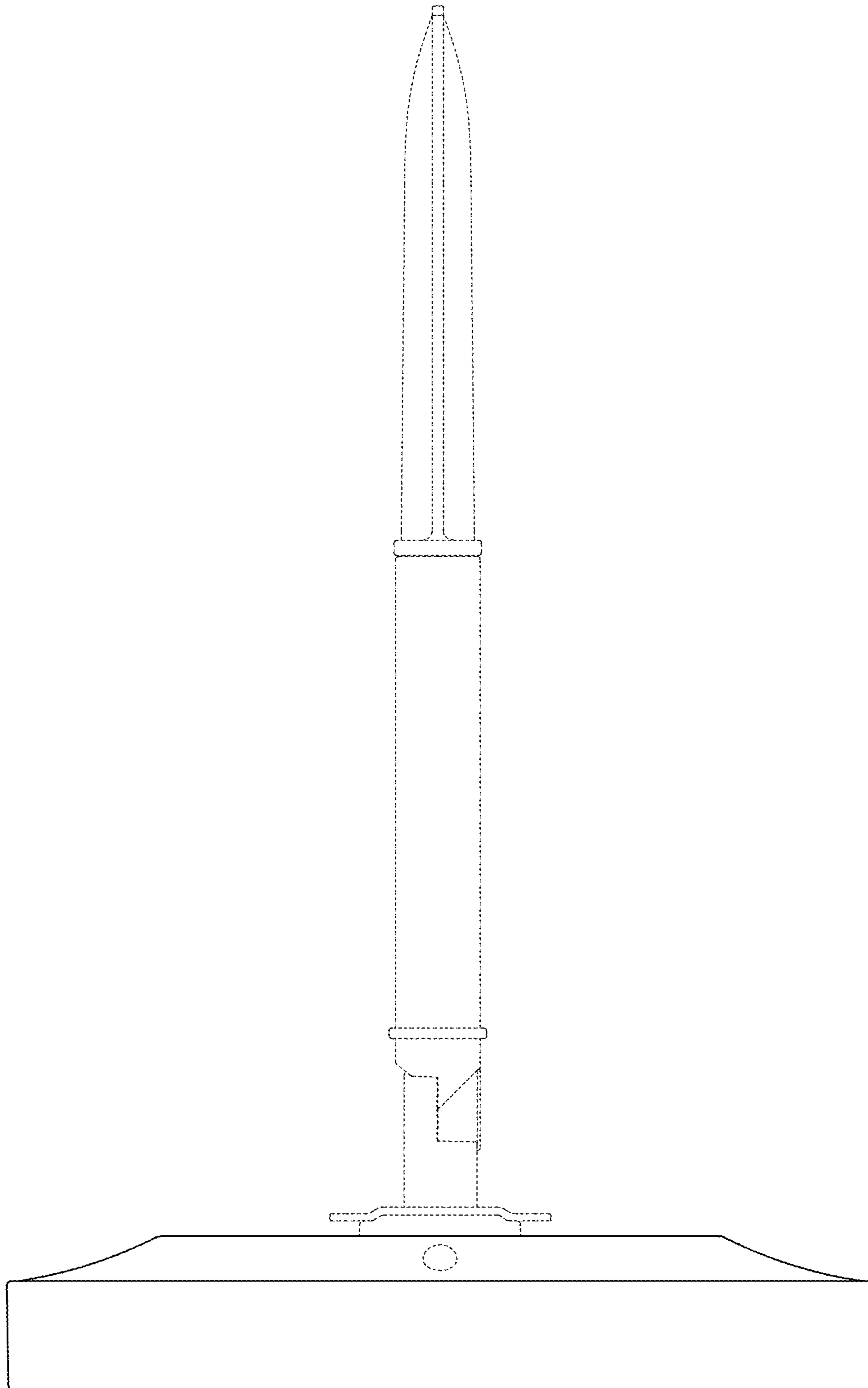


FIG. 1

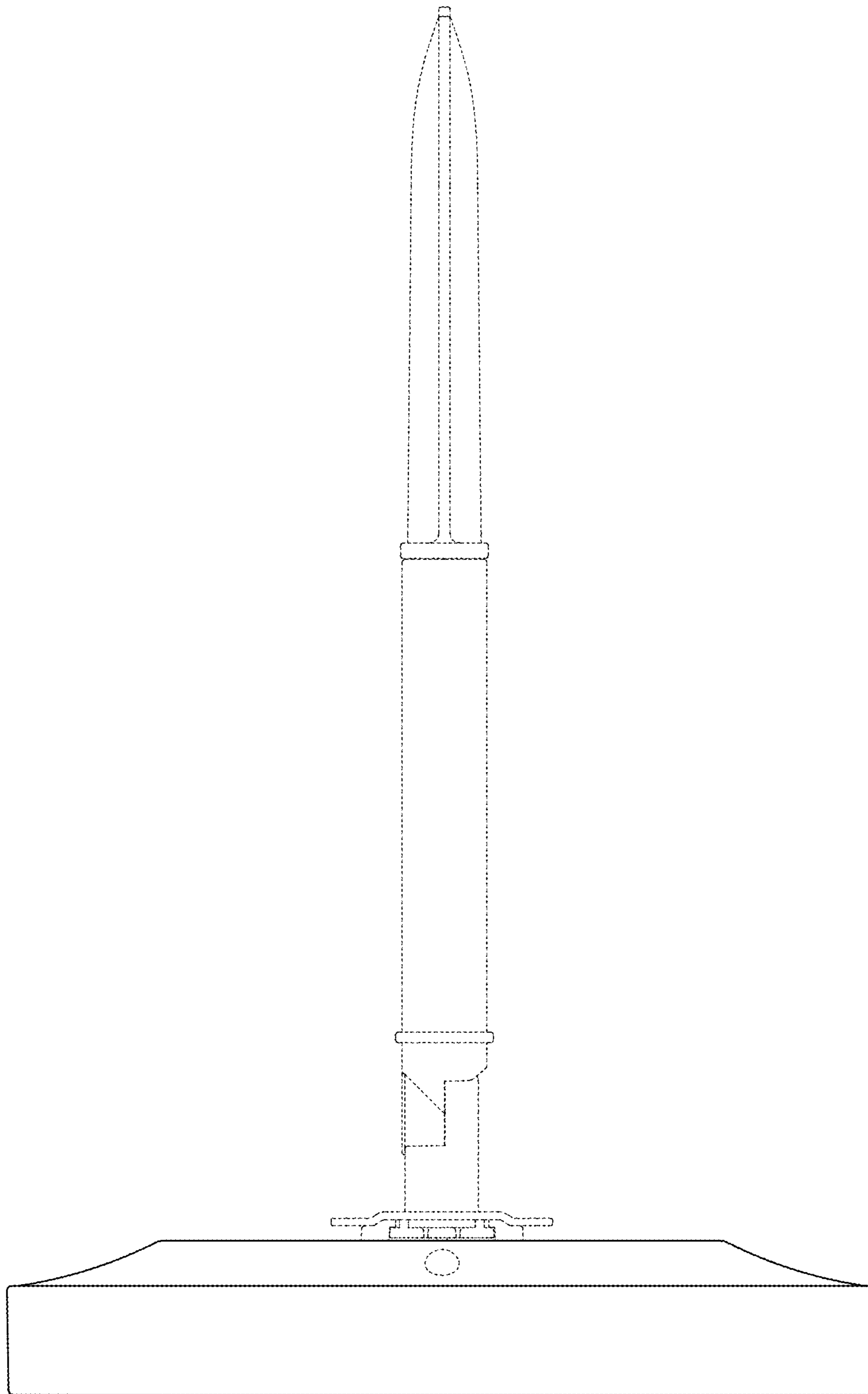


FIG. 2

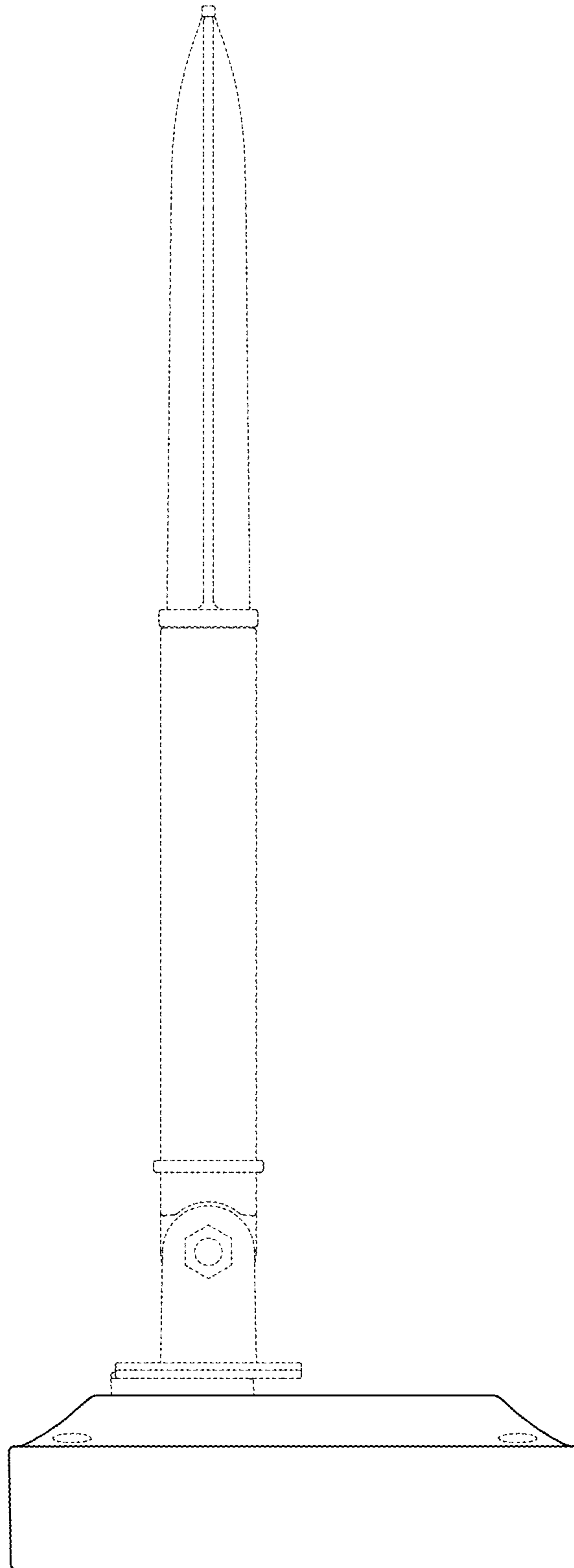


FIG. 3

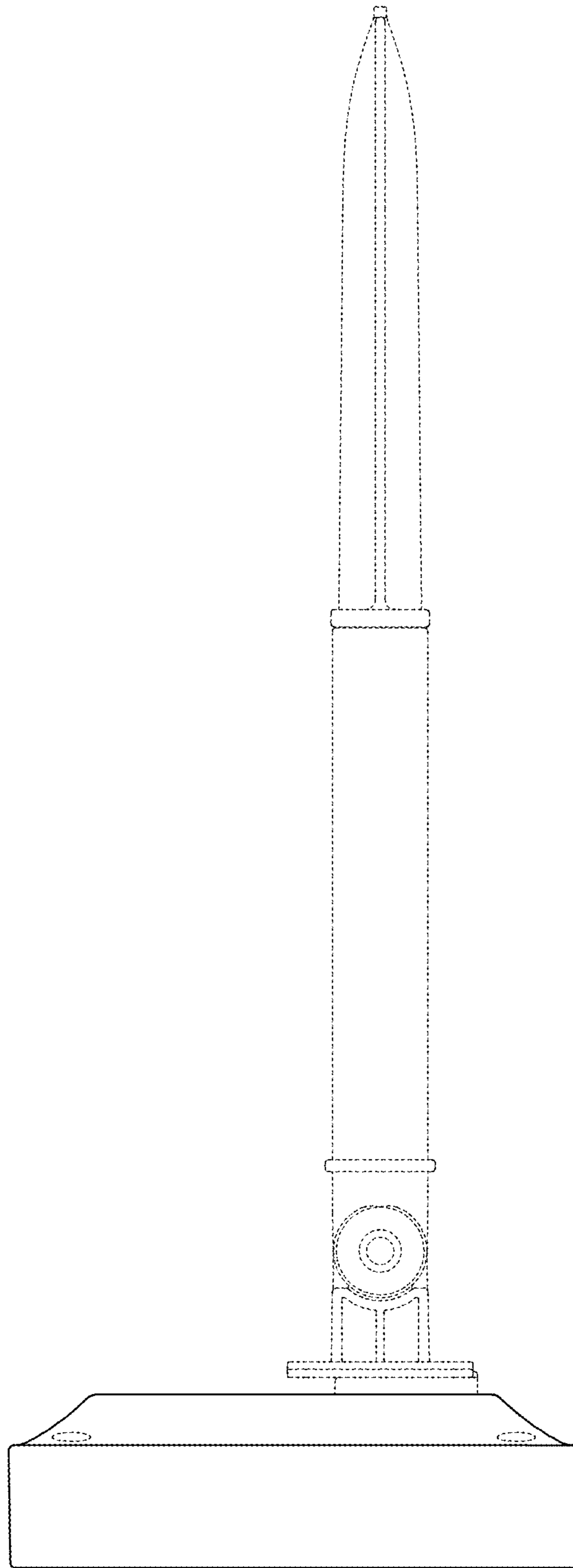


FIG. 4

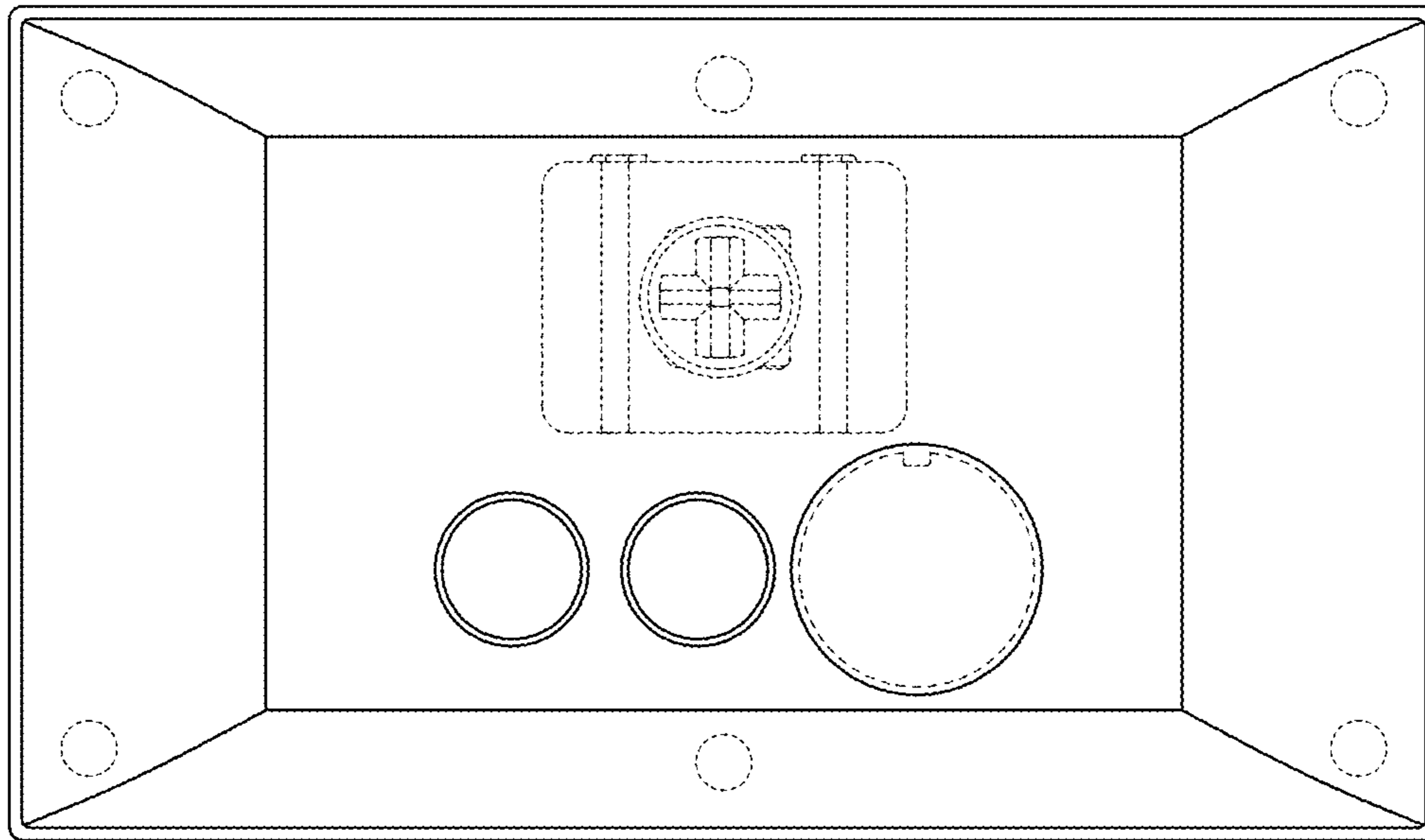


FIG. 5

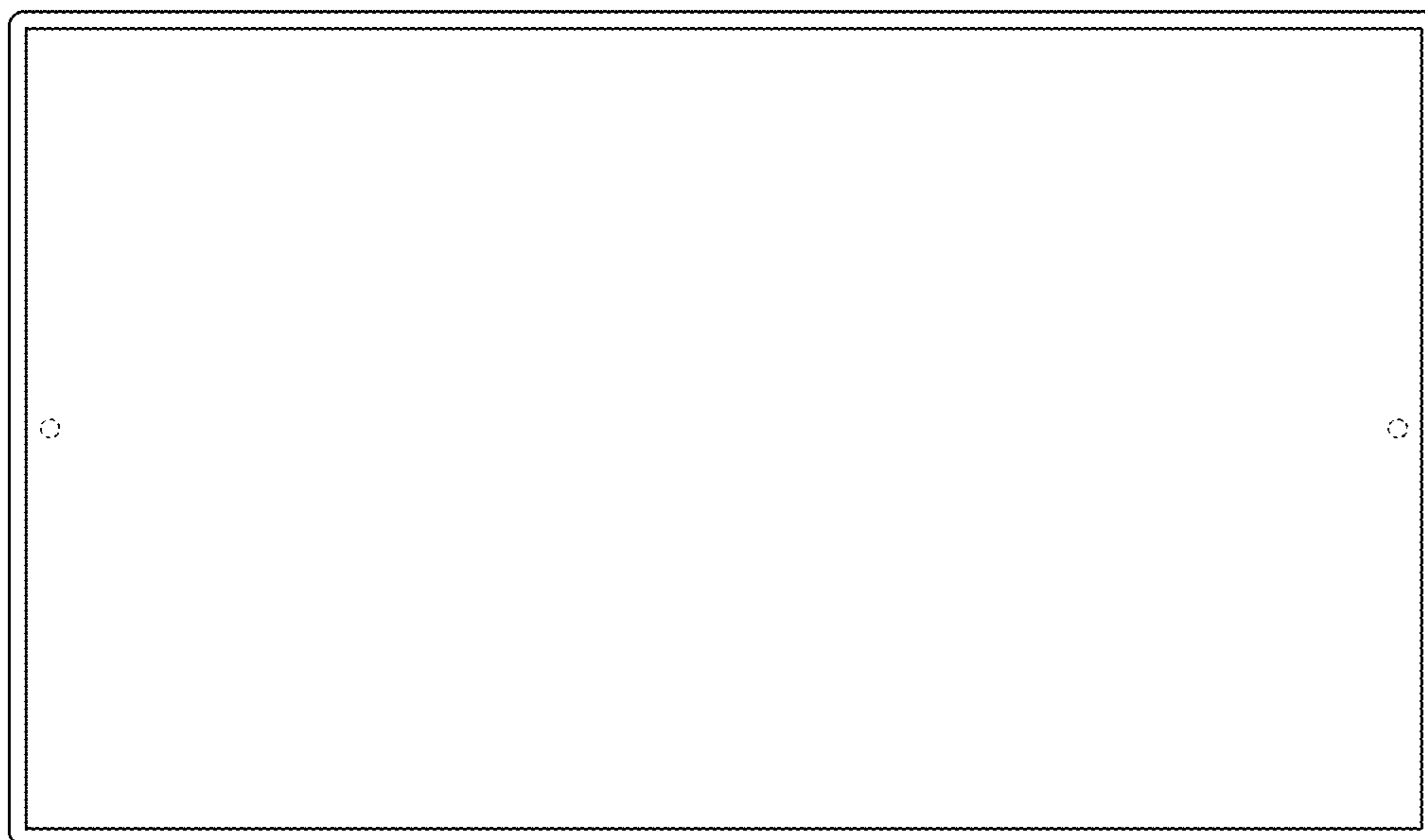


FIG. 6

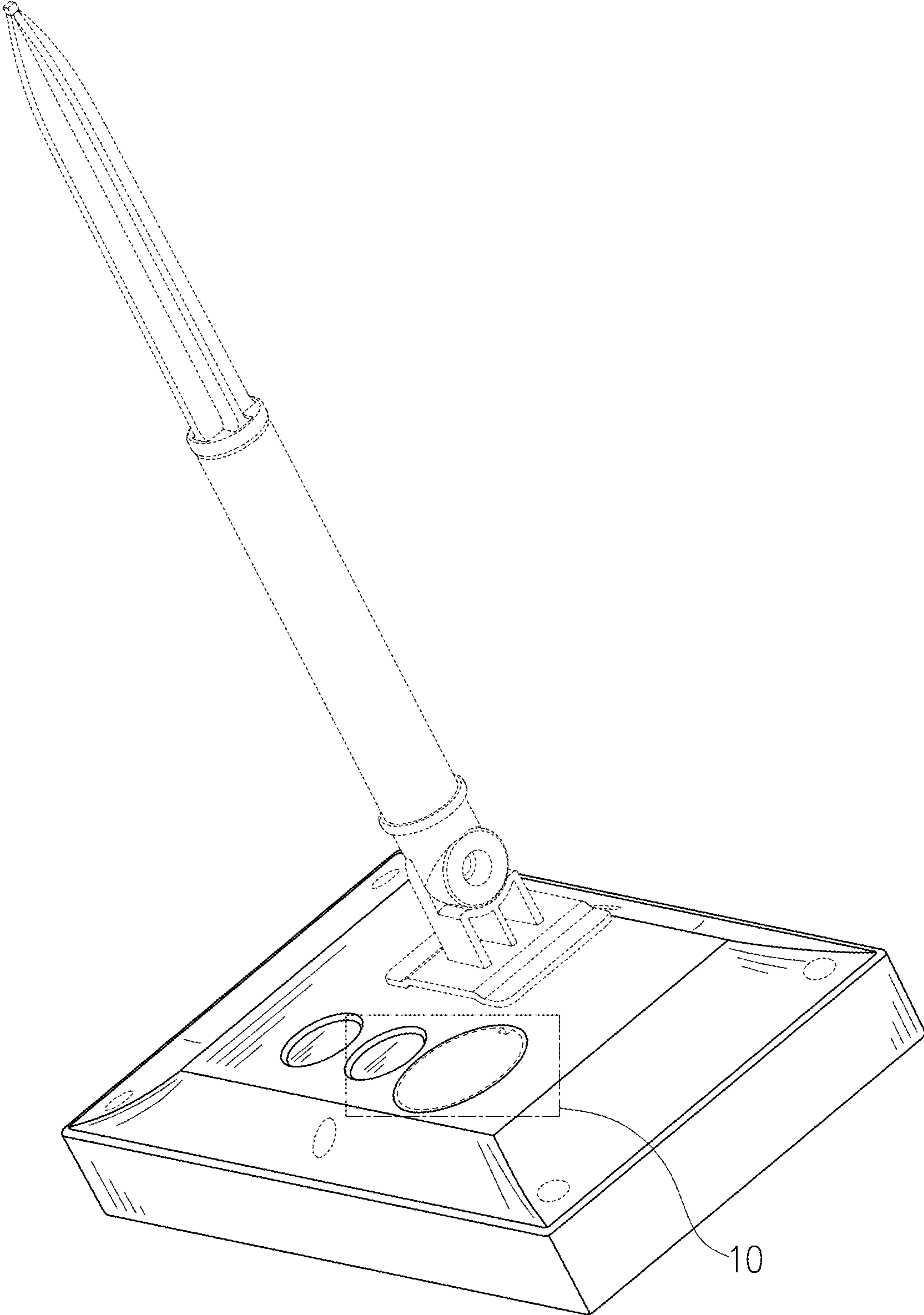


FIG. 7

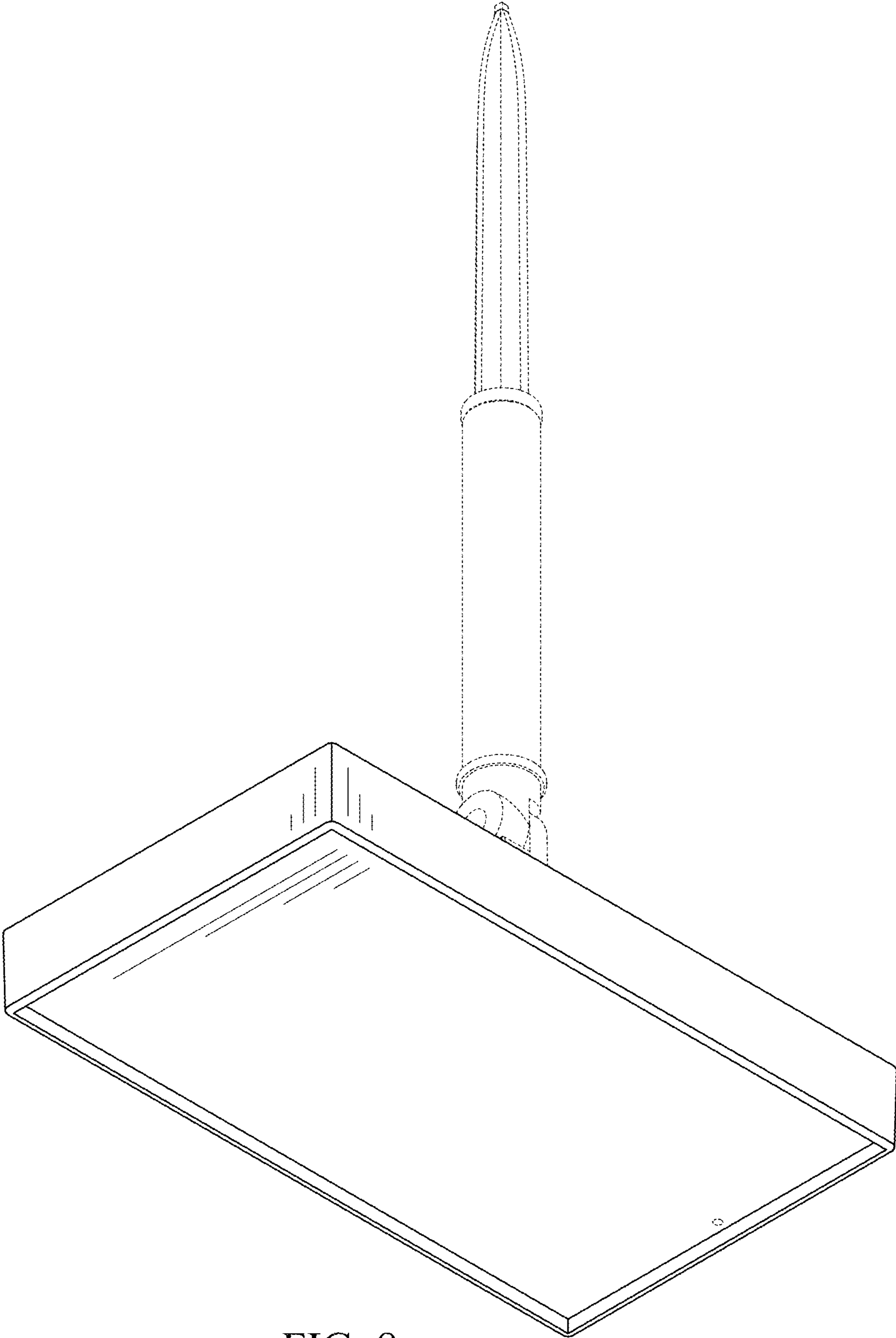


FIG. 8

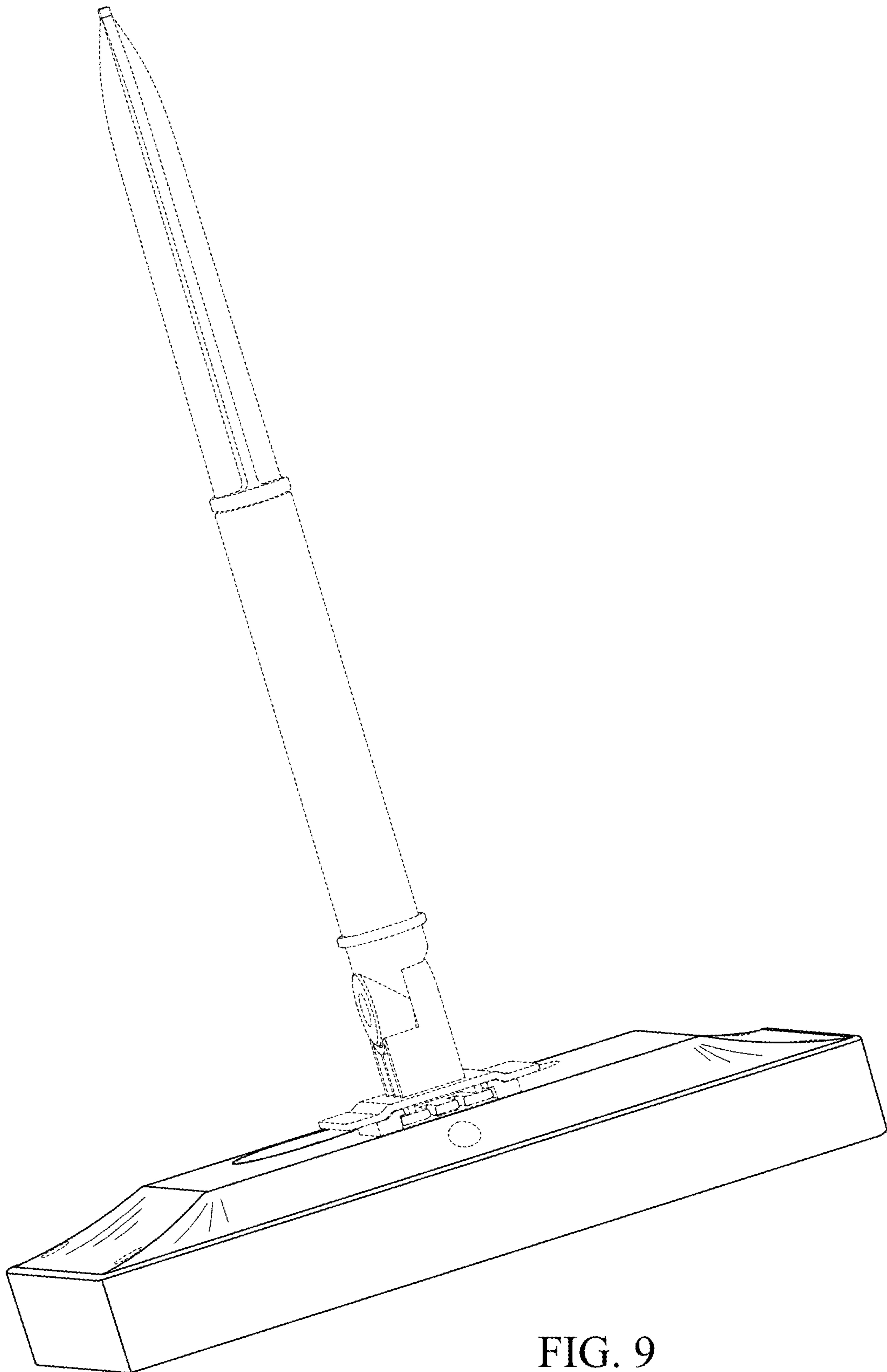


FIG. 9

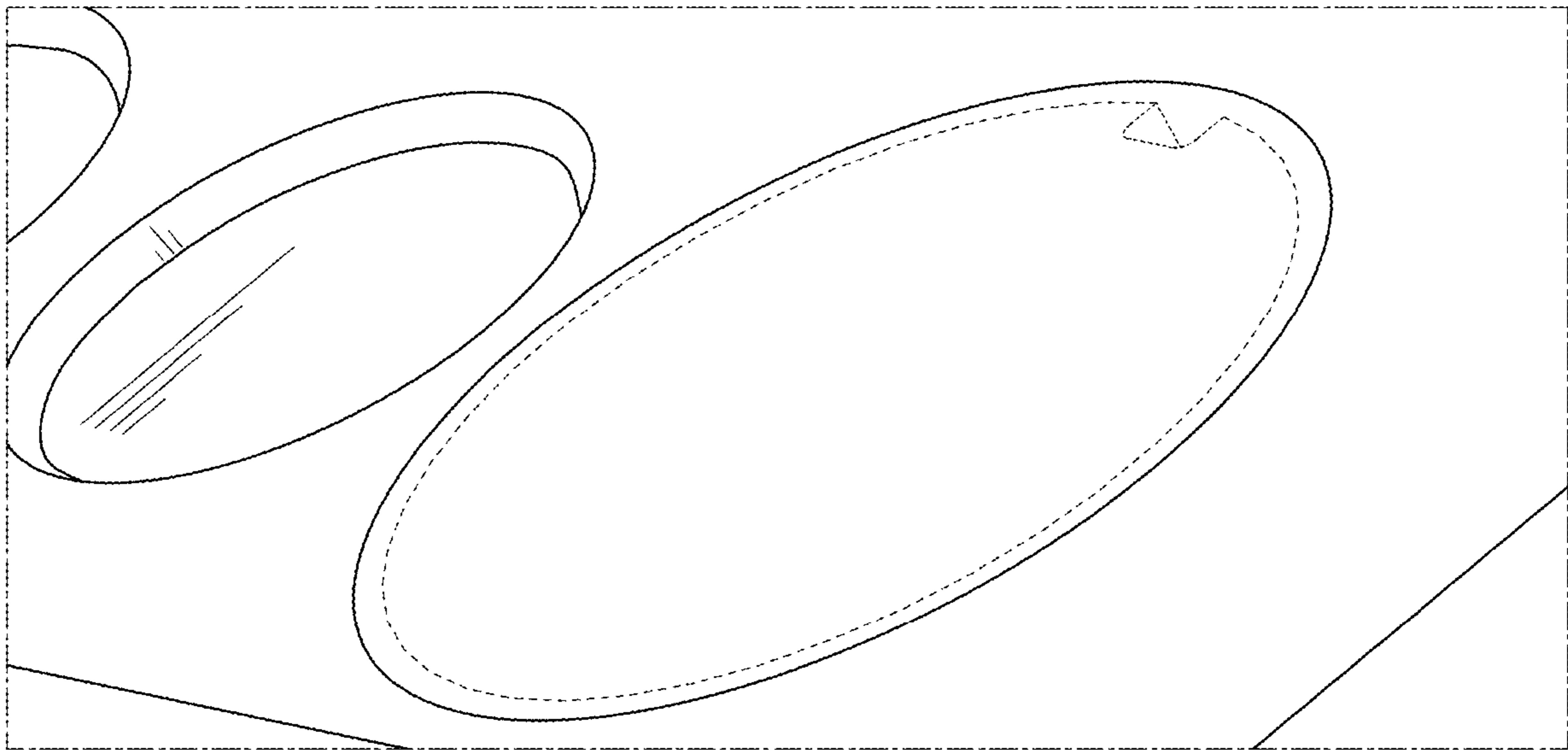


FIG. 10

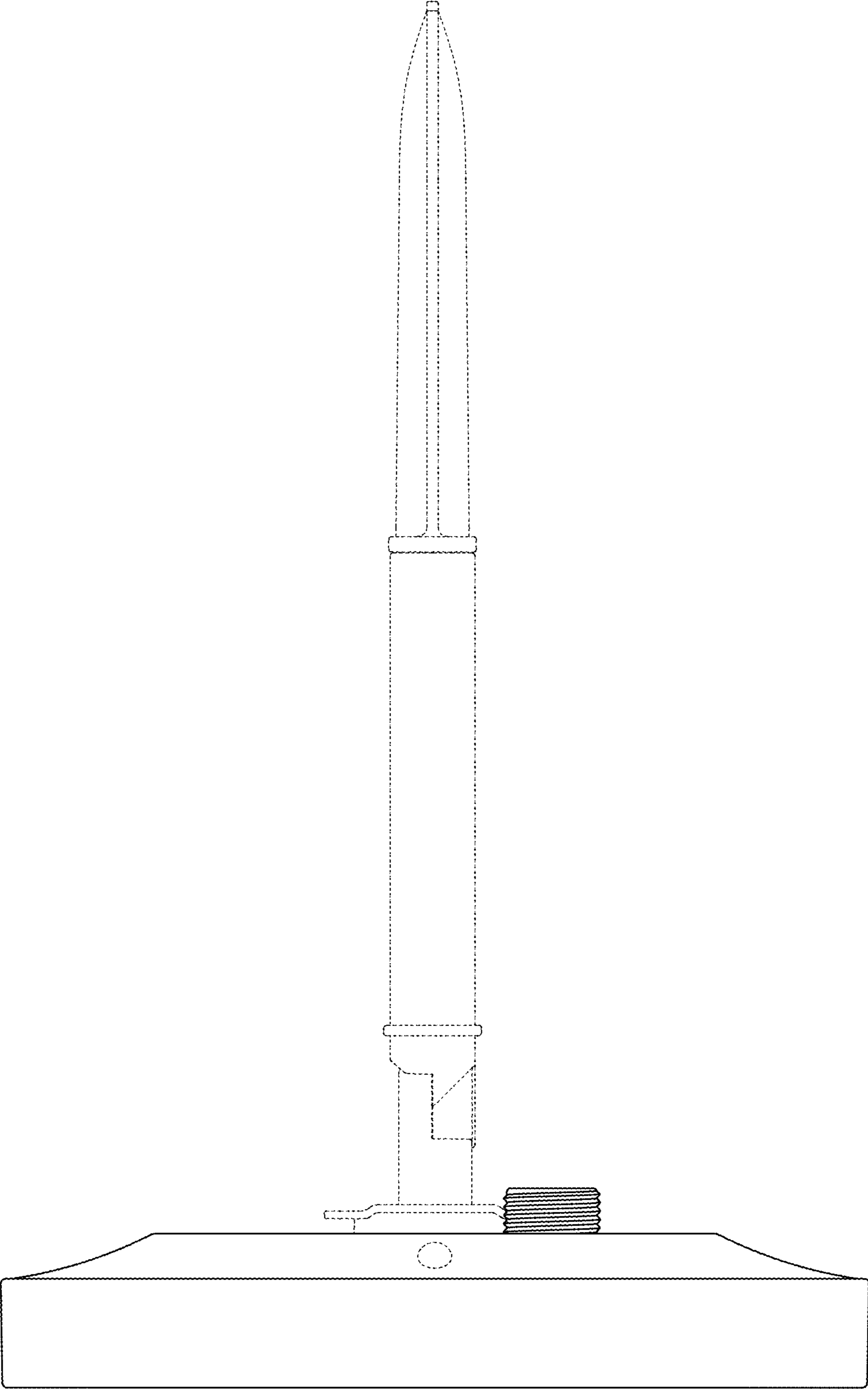


FIG. 11

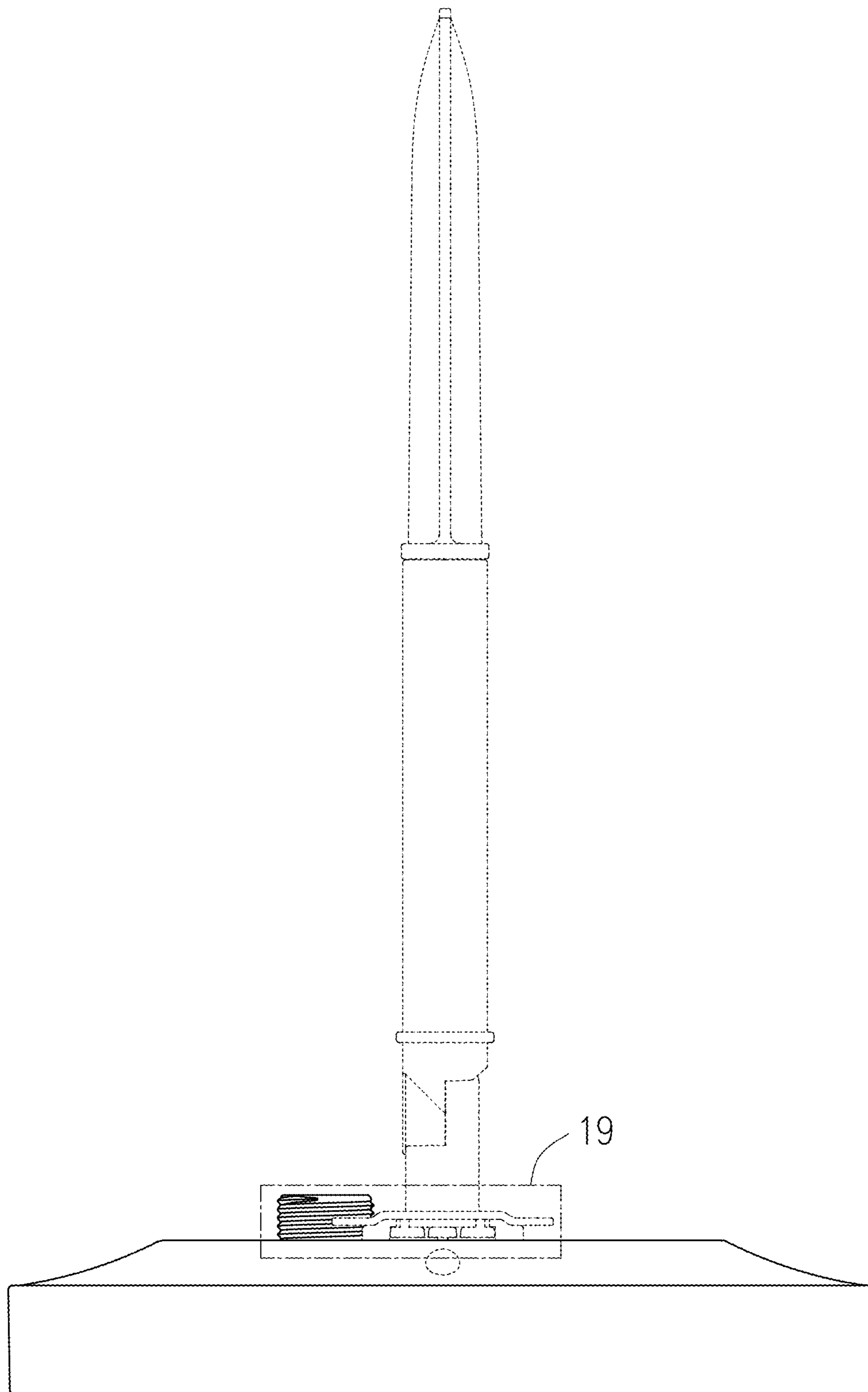


FIG. 12

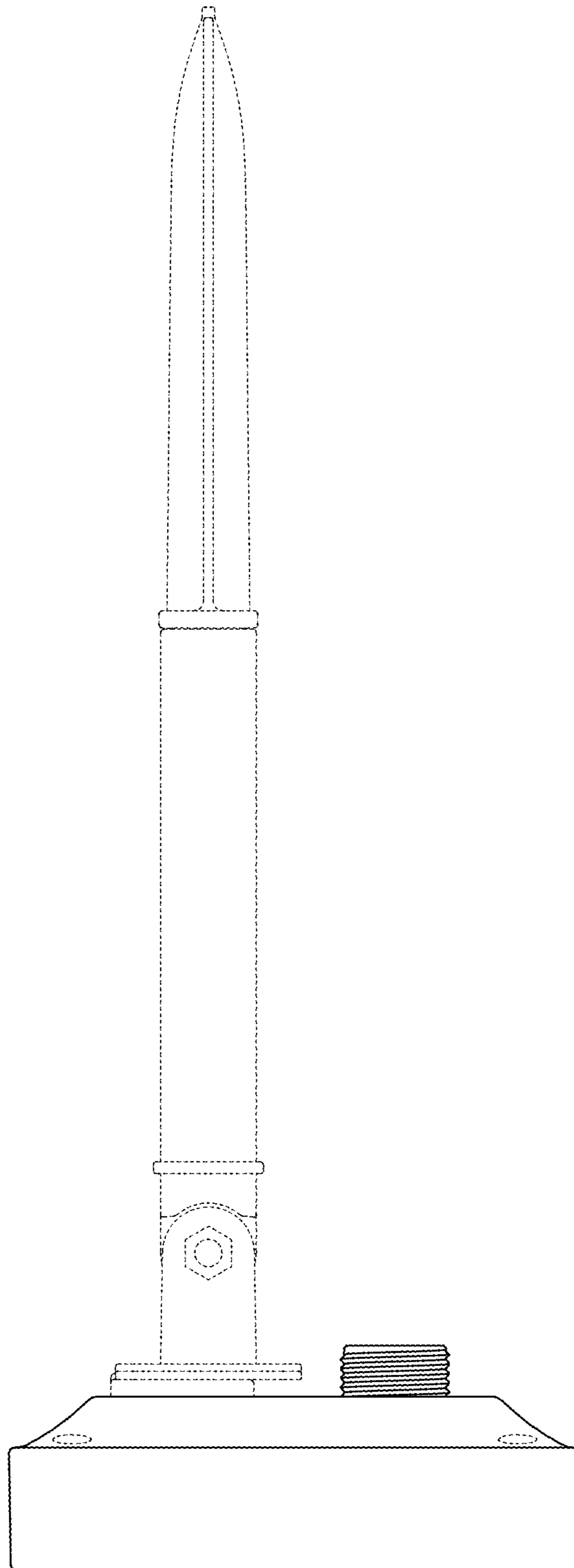


FIG. 13

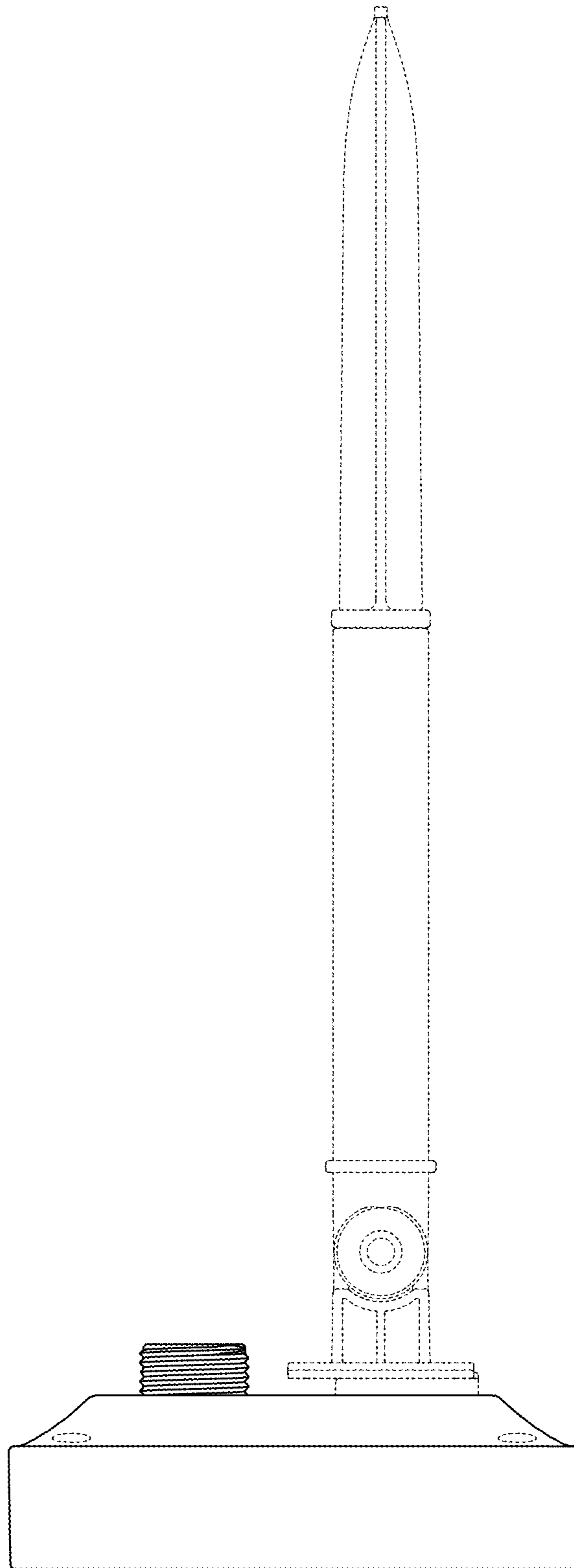


FIG. 14

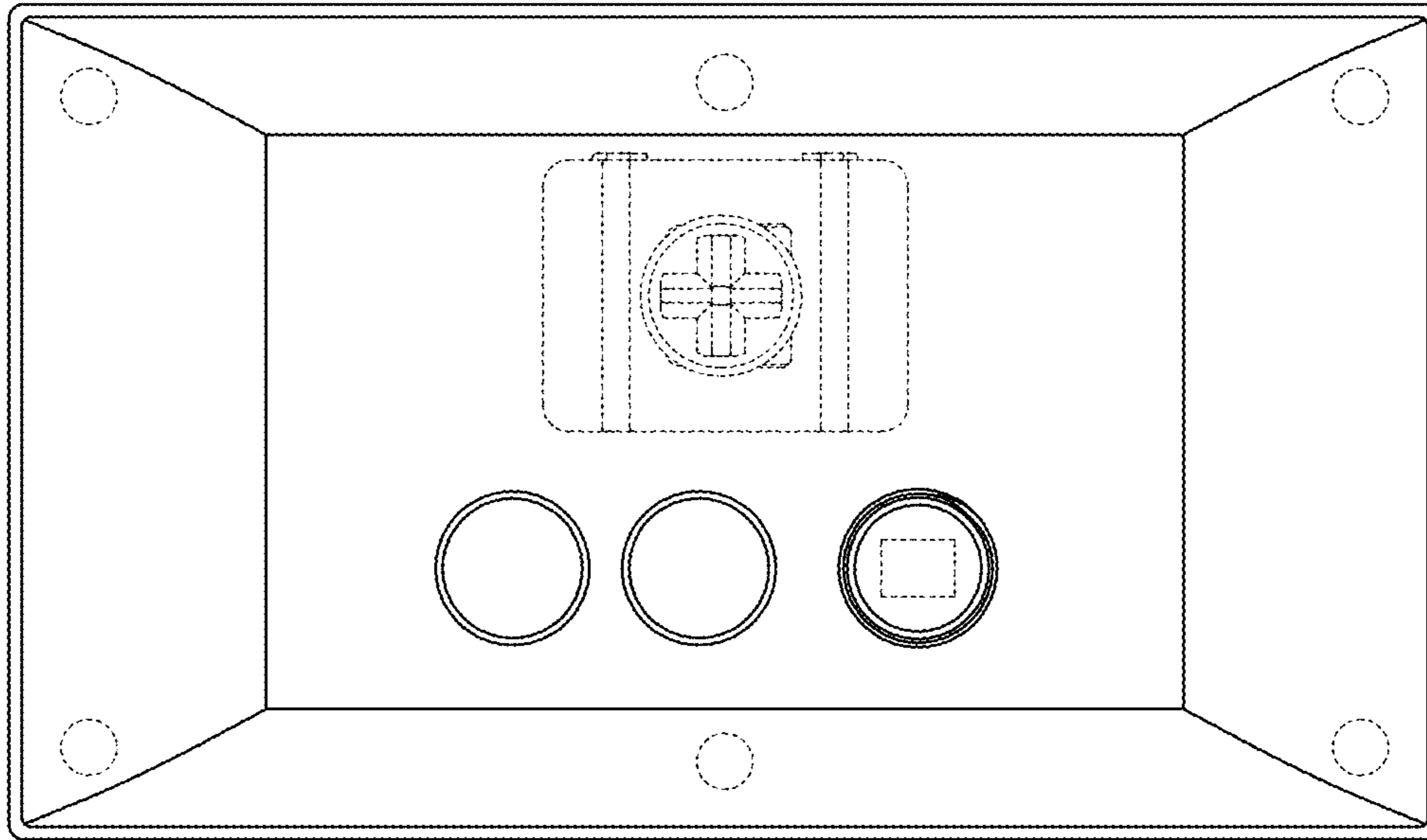


FIG. 15

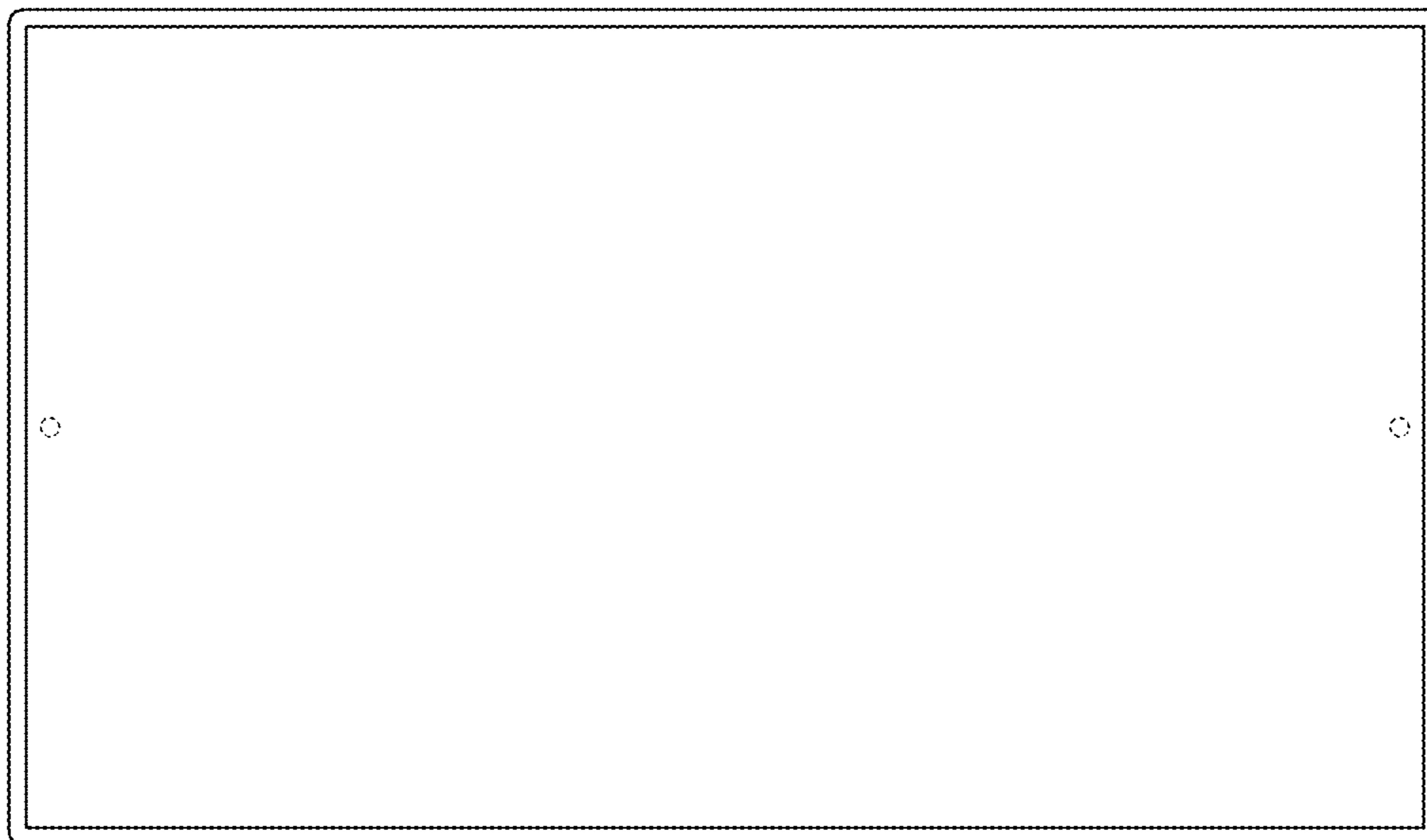


FIG. 16

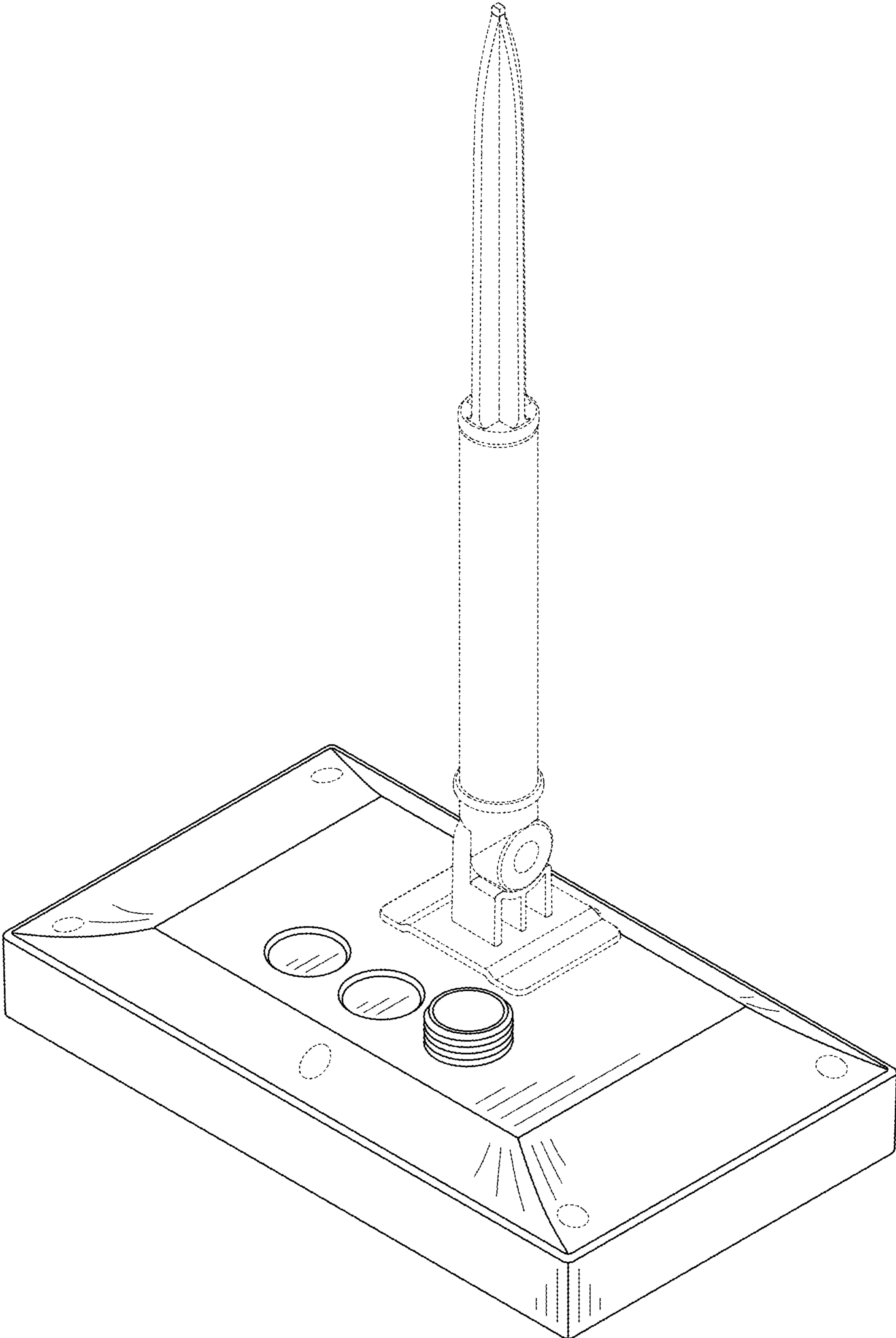


FIG. 17

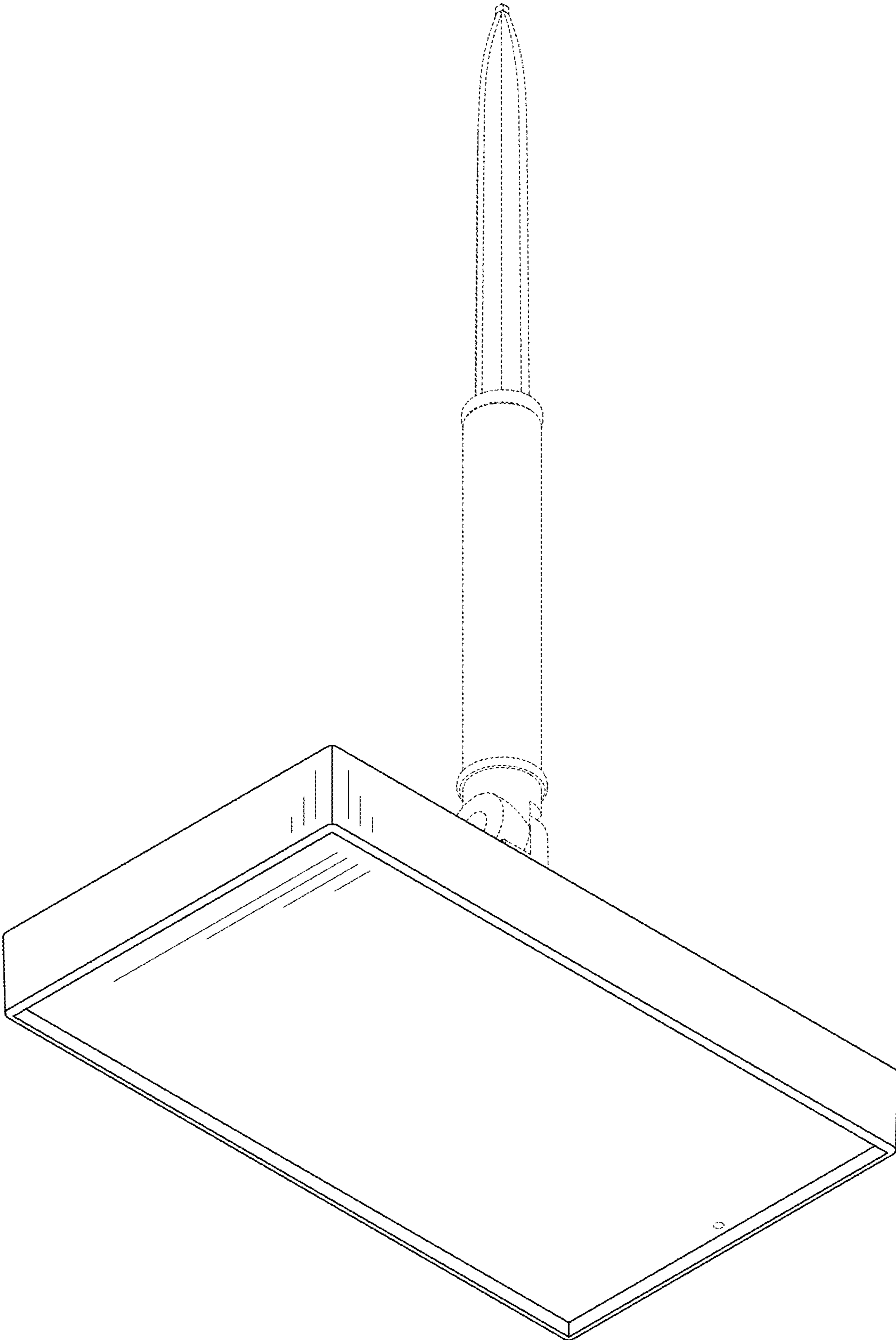


FIG. 18

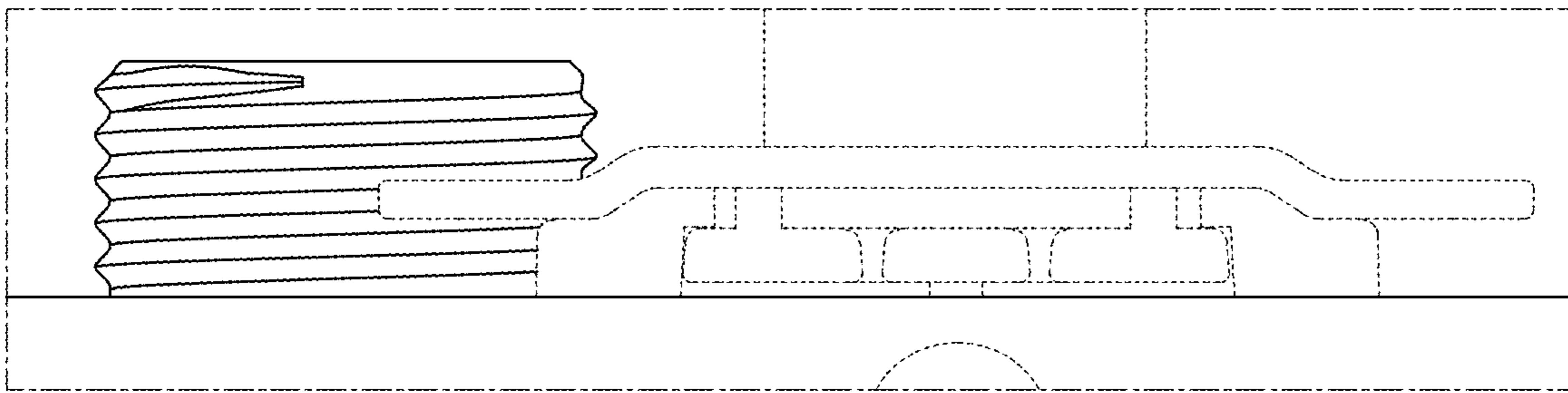


FIG. 19