



US00D948414S

(12) **United States Design Patent**  
**Digman et al.**

(10) **Patent No.:** **US D948,414 S**  
(45) **Date of Patent:** **\*\* Apr. 12, 2022**

(54) **TIRE**

(71) Applicant: **The Goodyear Tire & Rubber Company**, Akron, OH (US)  
(72) Inventors: **Brian David Digman**, Sagamore Hills, OH (US); **Jonathan Robert Luke**, North Canton, OH (US); **Brett Alan Bogner**, Clinton, OH (US); **Marc Christopher Nowacki**, Uniontown, OH (US)  
(73) Assignee: **The Goodyear Tire & Rubber Company**, Akron, OH (US)

(\*\*) Term: **15 Years**

(21) Appl. No.: **29/709,318**

(22) Filed: **Oct. 14, 2019**

(51) **LOC (13) Cl.** ..... **12-15**

(52) **U.S. Cl.**  
USPC ..... **D12/521**

(58) **Field of Classification Search**  
USPC ..... D12/500-532, 604  
CPC ..... Y10T 152/10027; B60C 1/0016; B60C 11/0306; B60C 11/0302; B60C 3/06; B60C 9/17

See application file for complete search history.

(56) **References Cited**

U.S. PATENT DOCUMENTS

D451,440 S	12/2001	Weber	.....	D12/146
D451,441 S	12/2001	Weber	.....	D12/146
D453,729 S	2/2002	Demagall et al.	.....	D12/523
D558,126 S	12/2007	Shavers et al.	.....	D12/519
D558,127 S	12/2007	Shavers et al.	.....	D12/519

(Continued)

OTHER PUBLICATIONS

U.S. Appl. No. 29/673,784, filed Dec. 18, 2018, Philipot, et al.

(Continued)

*Primary Examiner* — John A Voytek

(74) *Attorney, Agent, or Firm* — Robert N. Lipsik

(57)

**CLAIM**

The ornamental design for a tire, as shown and described.

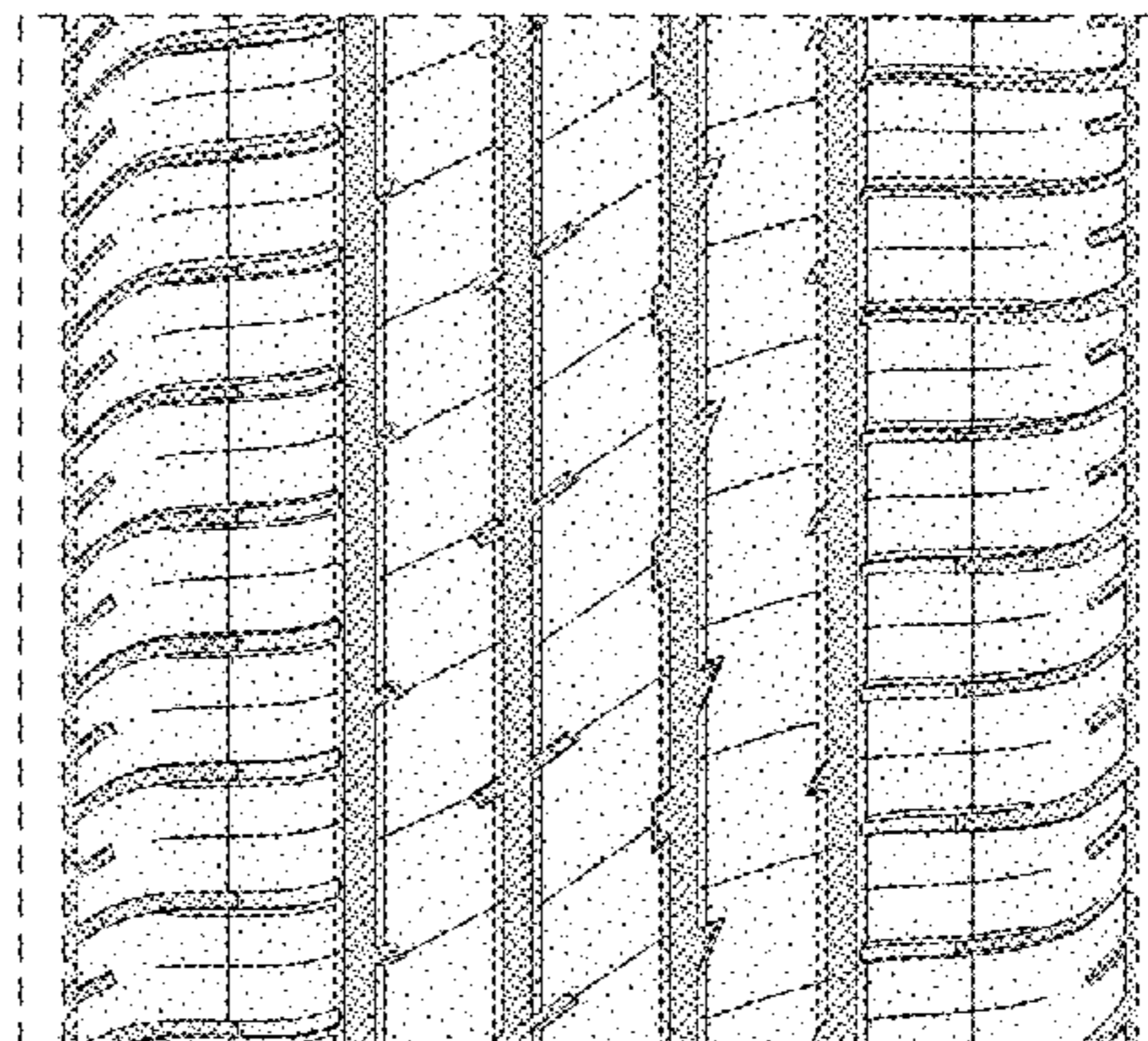
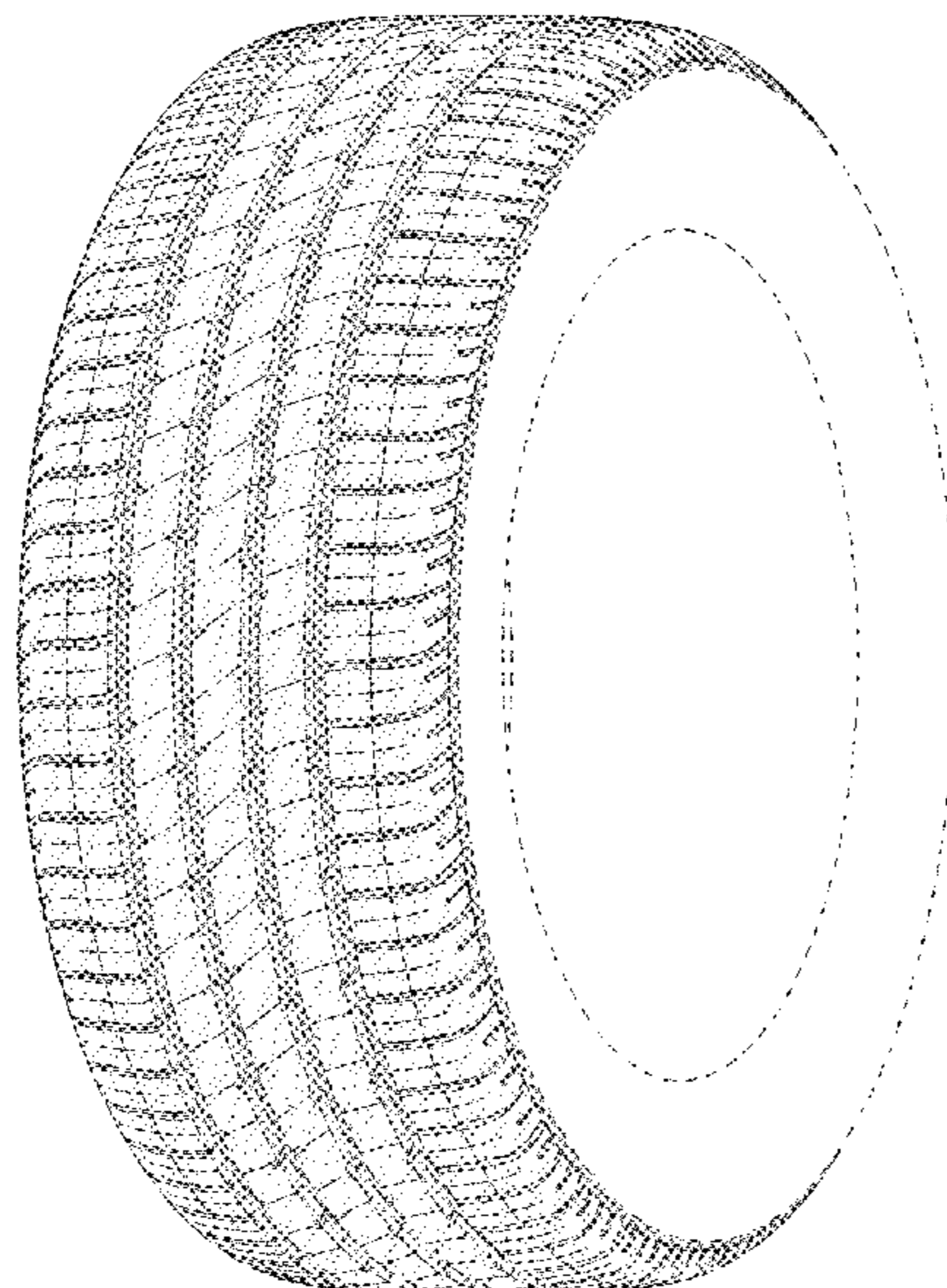
**DESCRIPTION**

FIG. 1 is a right side perspective view of a tire showing our new design, it being understood that the pattern repeats uniformly throughout the circumference of the tread; FIG. 2 is a left side perspective view thereof; FIG. 3 is a front elevational view thereof; FIG. 4 is a right side elevational view thereof; FIG. 5 is a left side elevational view thereof; FIG. 6 is an enlarged fragmentary front elevational view thereof taken along line 6-6 of FIG. 3; FIG. 7 is a right side perspective view of a second embodiment of a tire showing our new design, it being understood that the interior of the tire forms no part of the claim and that the pattern repeats uniformly throughout the circumference of the tread; FIG. 8 is a left side perspective view of a second embodiment, it being understood that the interior of the tire forms no part of the claim; and, FIG. 9 is a front elevational view of a second embodiment, it being understood that an enlarged fragmentary view thereof would be substantially identical to that shown in FIG. 6, with the exception of the inclusion of the sidewall in solid lines.

In the drawings, the broken lines immediately adjacent to the outer edges of the tire shoulder represent boundaries of the claim, and the broken lines depict environmental subject matter only and form no part of the claimed design.

The dashed broken lines indicating an enlargement portion of the design form no part of the claimed design.

**1 Claim, 9 Drawing Sheets**



(56)

References Cited

U.S. PATENT DOCUMENTS

D559,767 S 1/2008 Graas et al. .... D12/521  
 D579,855 S \* 11/2008 Fontaine ..... D12/521  
 D599,276 S 9/2009 Fontaine et al. .... D12/519  
 D599,277 S \* 9/2009 Froger ..... D12/521  
 D601,939 S 10/2009 Fontaine et al. .... D12/519  
 D606,926 S \* 12/2009 Heinen ..... D12/521  
 D609,161 S 2/2010 Fontaine et al. .... D12/517  
 D609,627 S 2/2010 Frappart et al. .... D12/523  
 D619,080 S 7/2010 Woidtke et al. .... D12/519  
 D626,910 S 11/2010 Bott et al. .... D12/519  
 D630,998 S 1/2011 Schmalix et al. .... D12/519  
 D634,261 S 3/2011 Schmalix et al. .... D12/519  
 D634,699 S 3/2011 Fontaine et al. .... D12/517  
 D644,593 S 9/2011 Fontaine et al. .... D12/523  
 D659,633 S 5/2012 Bindner et al. .... D12/521  
 D665,336 S 8/2012 Skurich et al. .... D12/523  
 D667,358 S 9/2012 Fontaine et al. .... D12/518  
 D673,894 S \* 1/2013 Hughes ..... D12/521  
 D708,116 S 7/2014 Caron et al. .... D12/523  
 D713,778 S 9/2014 Muthigi et al. .... D12/521  
 D728,453 S 5/2015 Maxwell et al. .... D12/523  
 D730,269 S 5/2015 Maxwell et al. .... D12/523  
 D743,873 S 11/2015 Majerus et al. .... D12/523

D744,406 S \* 12/2015 Bosch Alsina ..... D12/521  
 D769,792 S \* 10/2016 Kimura ..... D12/521  
 D787,425 S 5/2017 Kossi et al. .... D12/523  
 D789,870 S \* 6/2017 Dixon ..... D12/521  
 D791,064 S 7/2017 Bokken et al. .... D12/517  
 D794,539 S 8/2017 Bindner et al.  
 D795,149 S 8/2017 Digman et al. .... D12/209  
 D795,163 S 8/2017 Digman et al. .... D12/519  
 D795,164 S 8/2017 Philipot et al. .... D12/521  
 D797,652 S 9/2017 Bokken ..... D12/520  
 D799,407 S \* 10/2017 Philipot ..... D12/521  
 D804,396 S 12/2017 Philipot et al. .... D12/523  
 D823,232 S 7/2018 Bode et al. .... D12/515  
 D870,021 S \* 12/2019 Mishima ..... D12/521  
 D870,647 S \* 12/2019 Wang ..... D12/521  
 D874,388 S \* 2/2020 Wang ..... D12/521  
 D883,903 S \* 5/2020 Horiguchi ..... D12/521  
 D900,708 S \* 11/2020 Shondel ..... D12/517

OTHER PUBLICATIONS

U.S. Appl. No. 29/679,976, filed Feb. 12, 2019, Moia, et al.  
 U.S. Appl. No. 29/692,167, filed May 23, 2019, Digman, et al.  
 U.S. Appl. No. 29/700,276, filed Aug. 1, 2019, Moia, et al.  
 U.S. Appl. No. 29/707,138, filed Sep. 26, 2019, Trine, et al.

\* cited by examiner

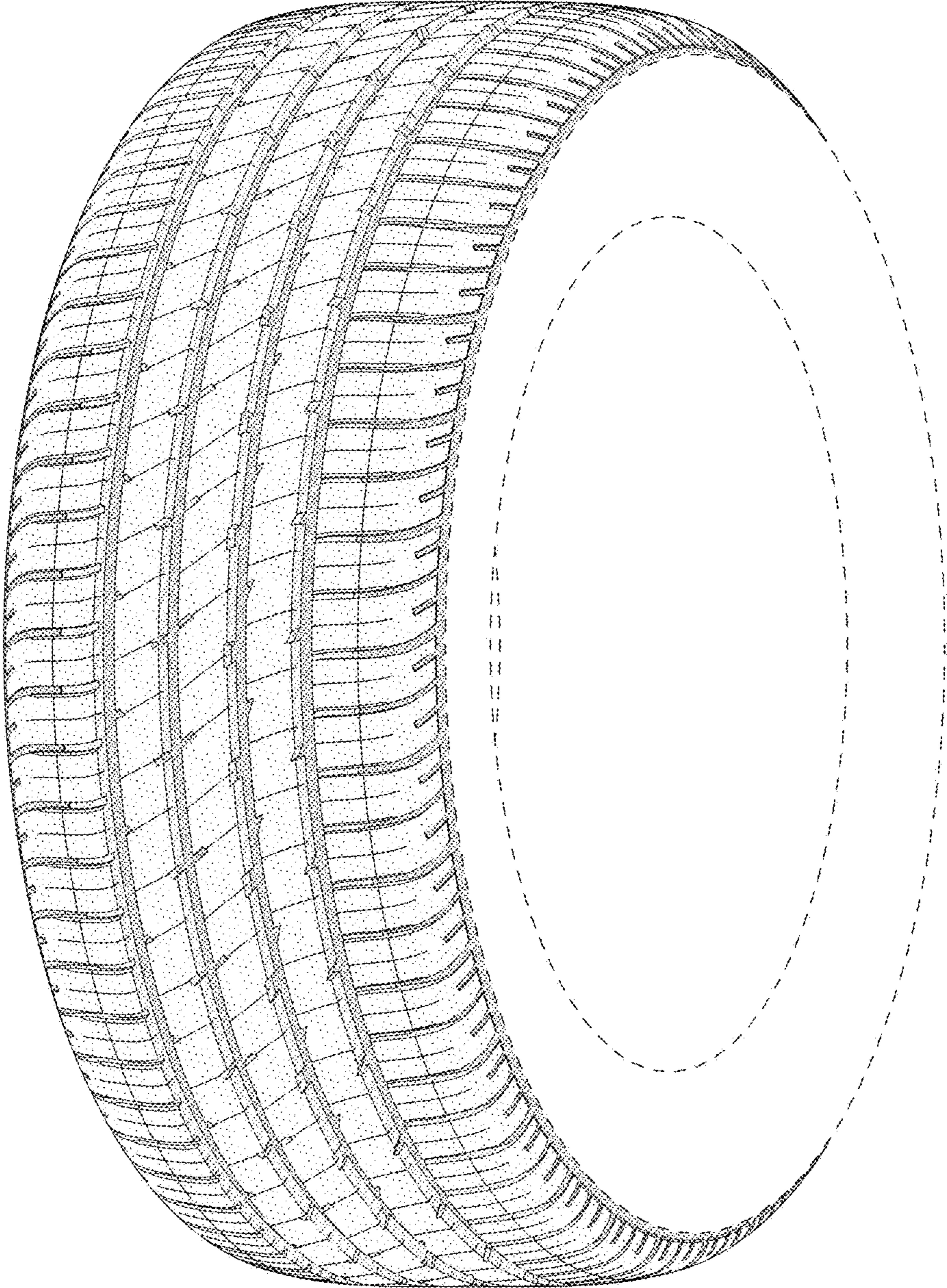


FIG - 1

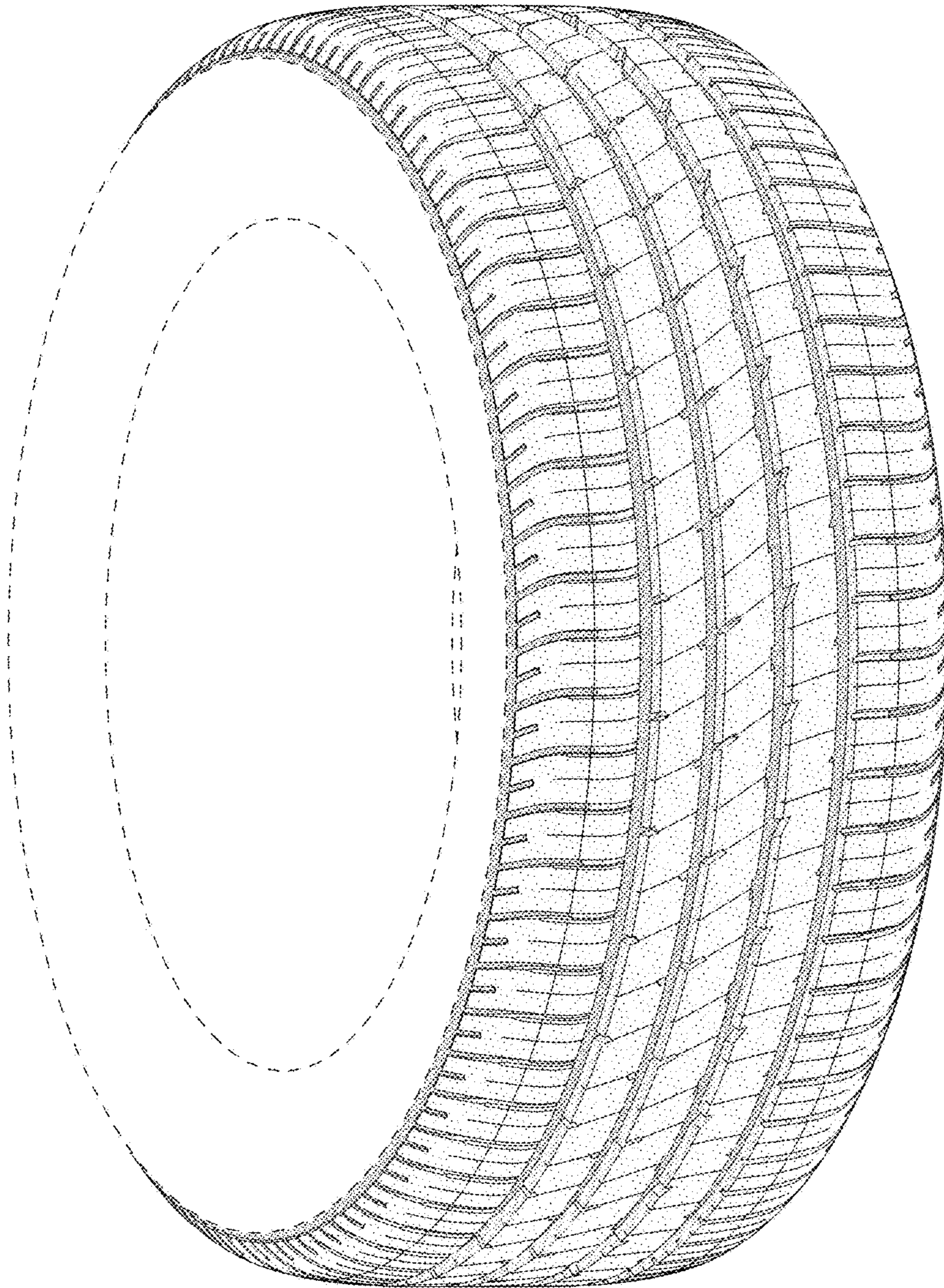


FIG - 2

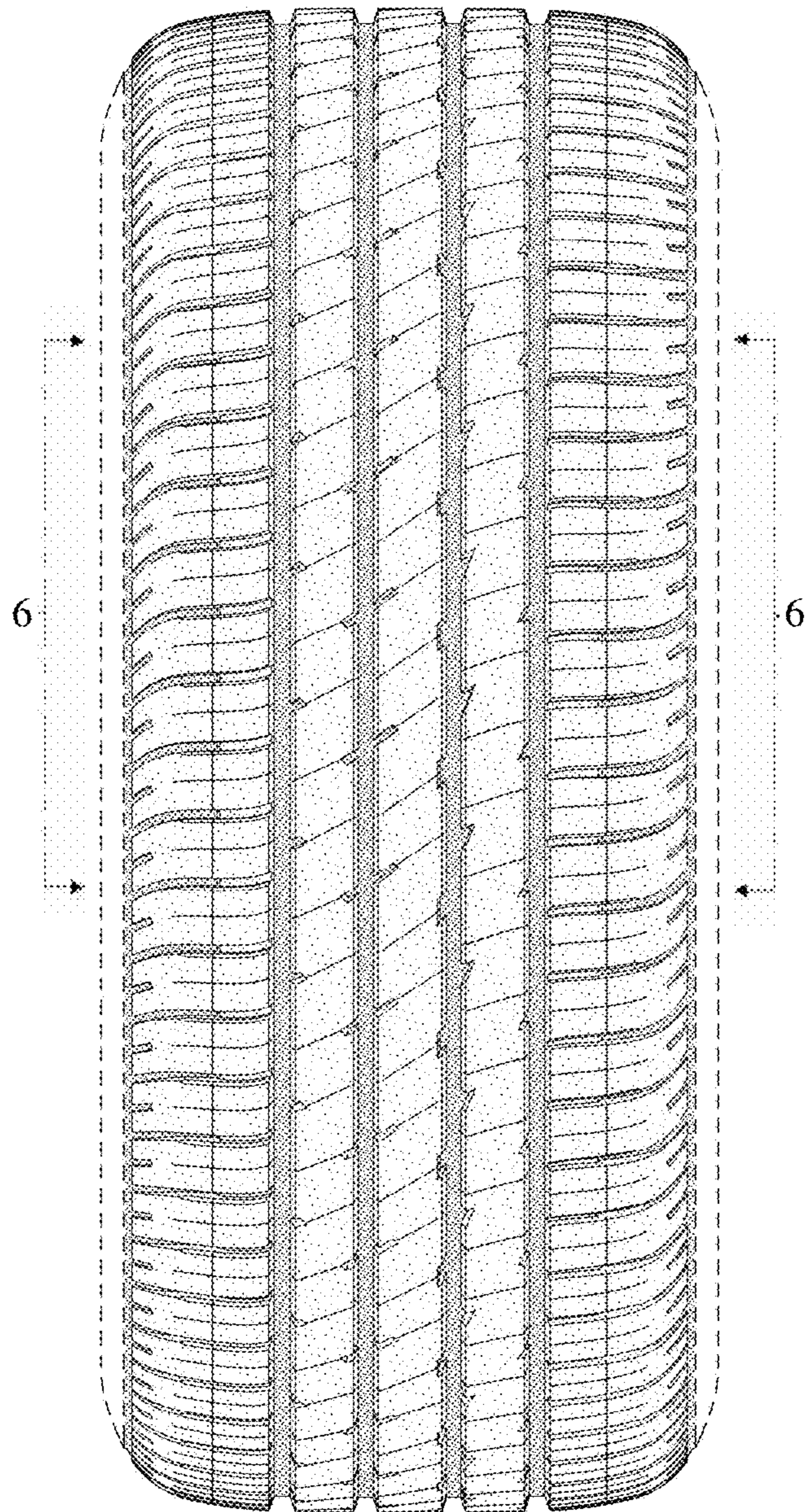


FIG - 3

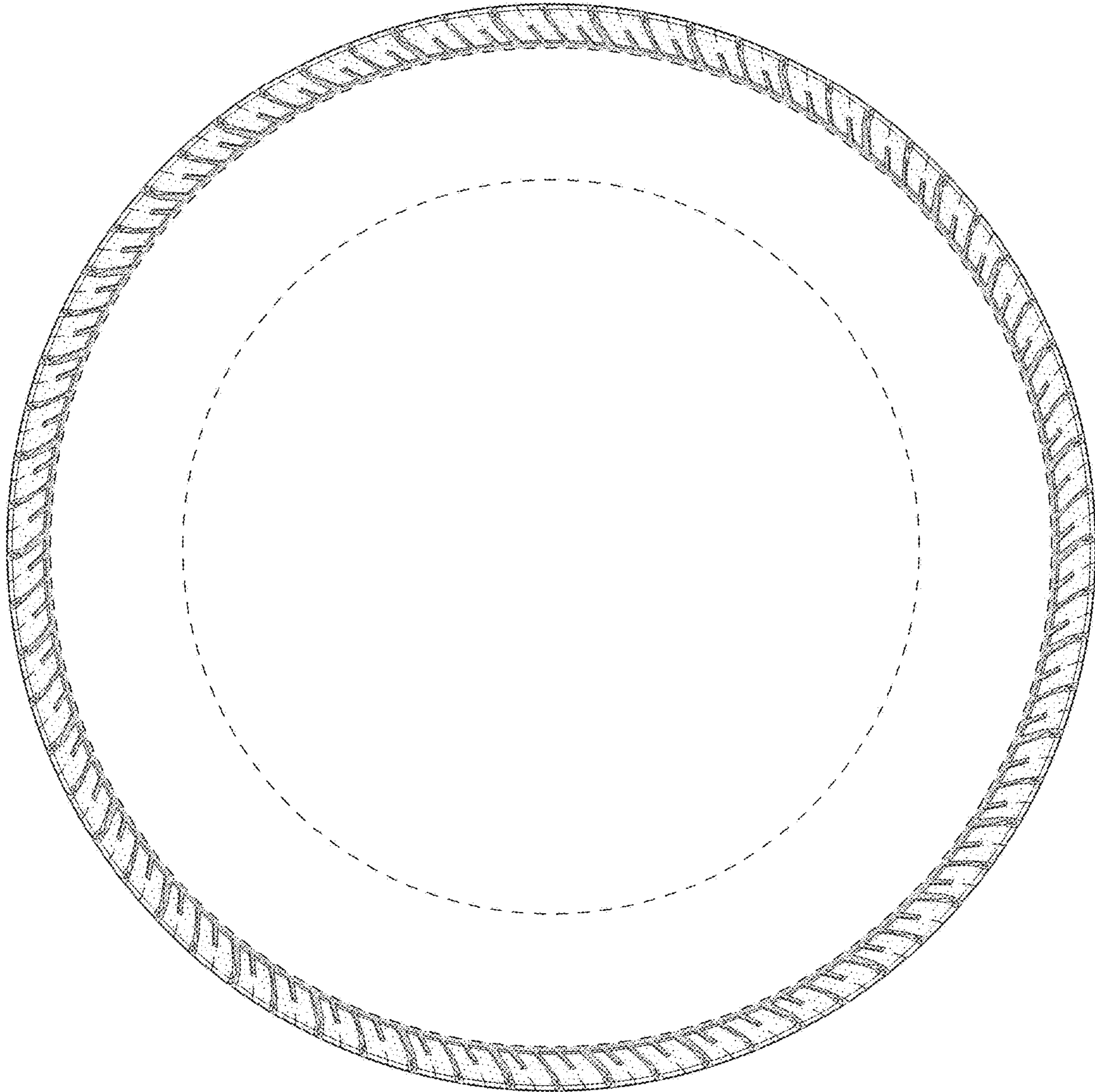


FIG - 4

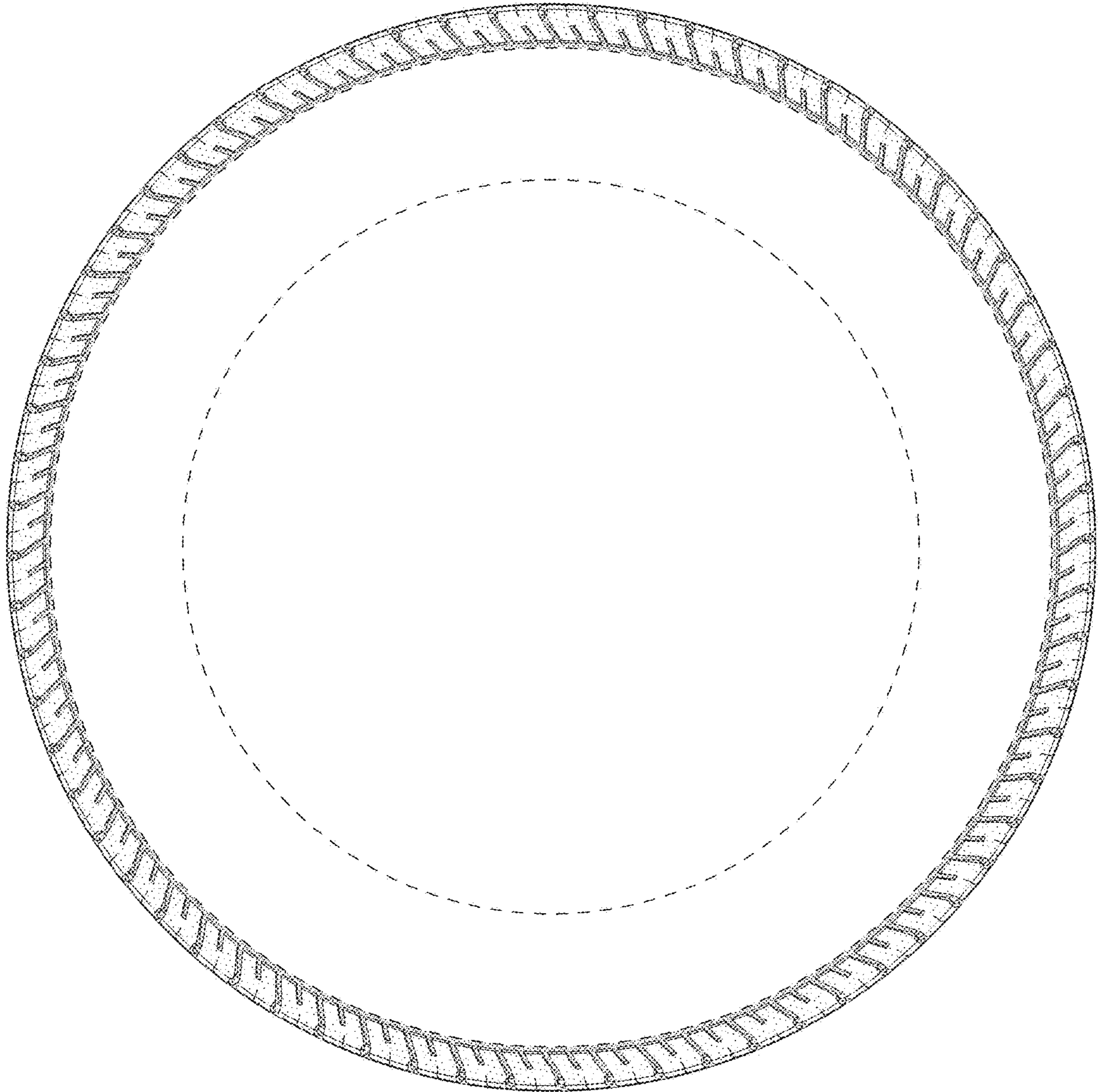


FIG - 5

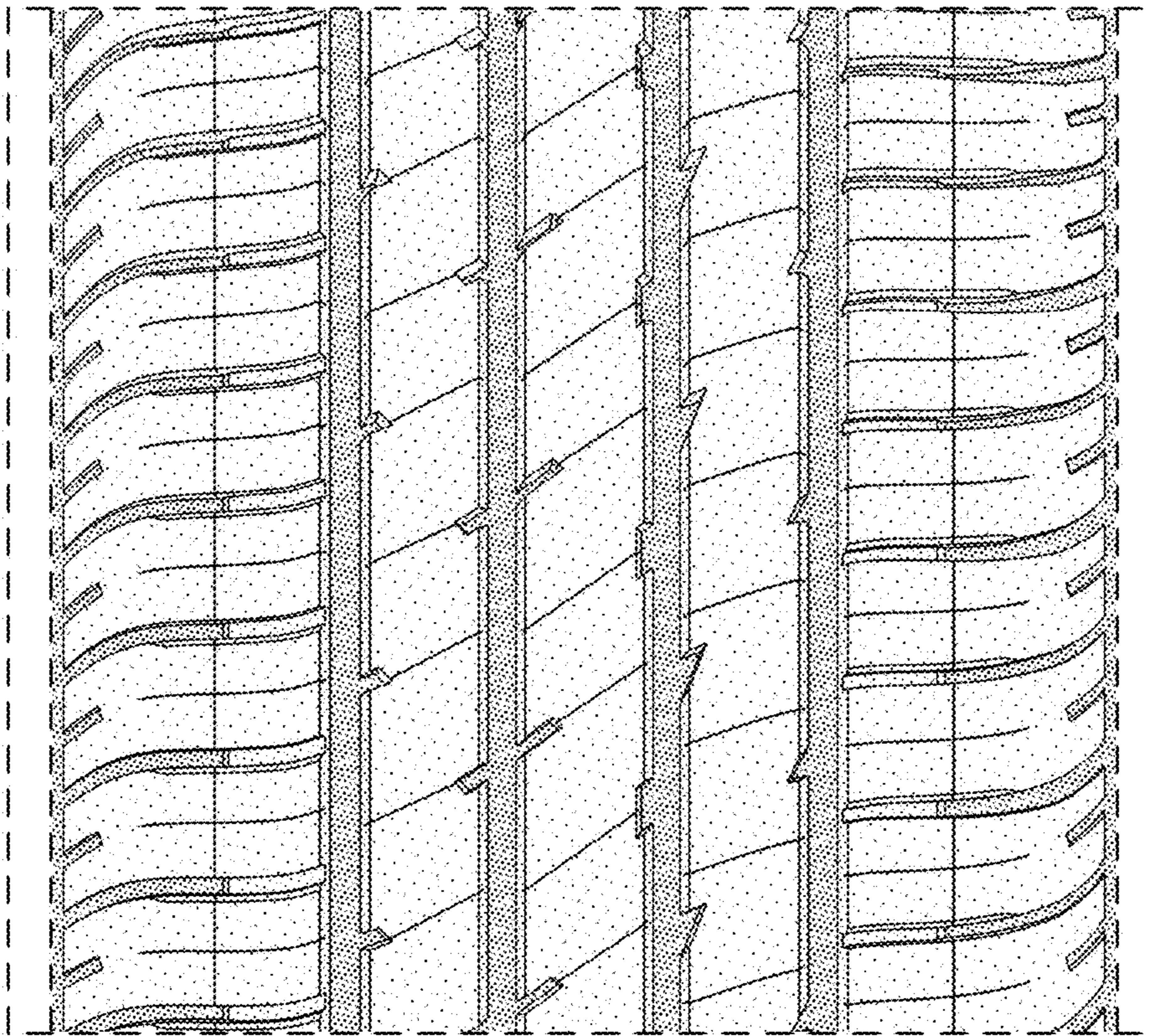


FIG - 6



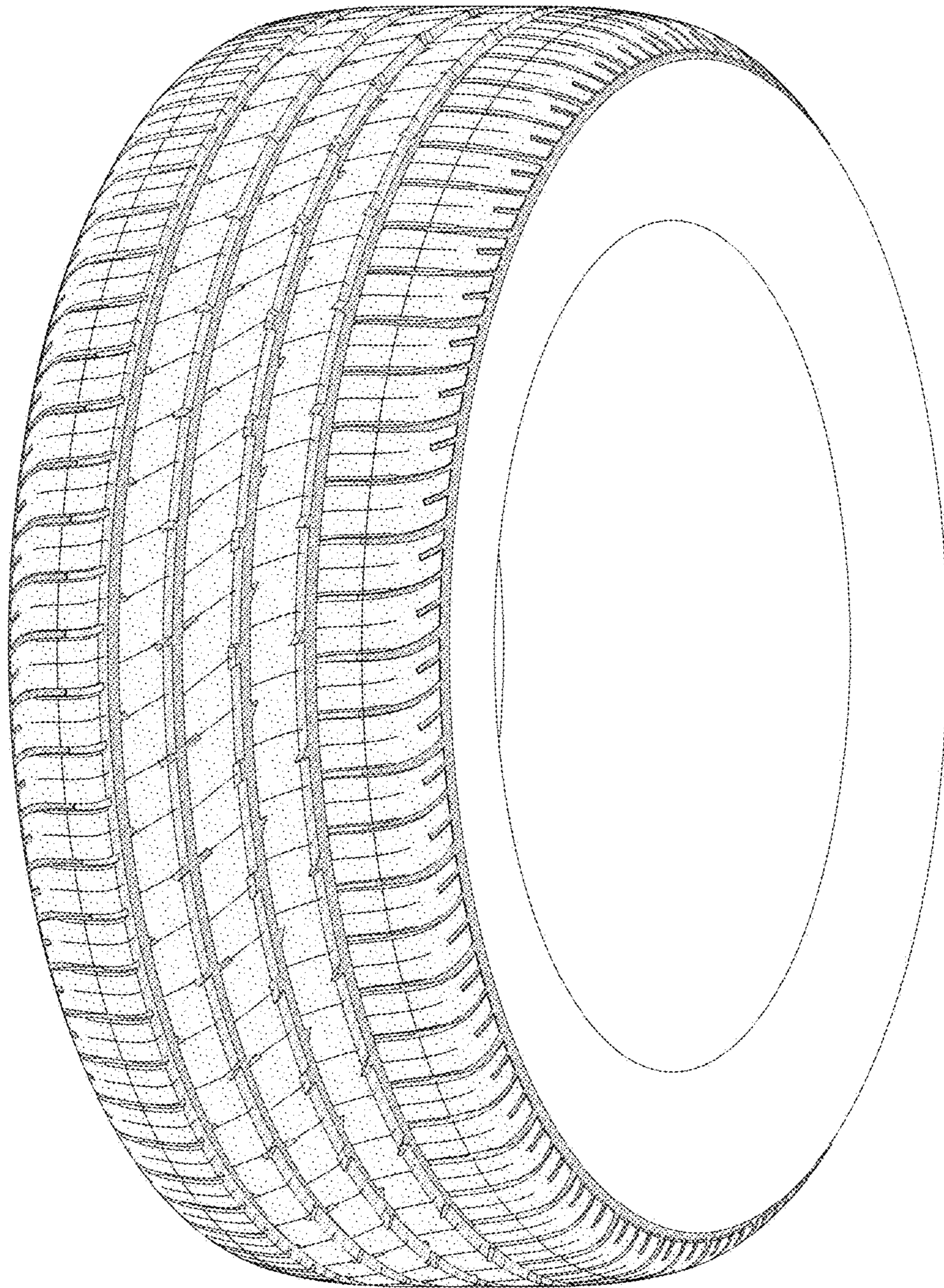


FIG - 7

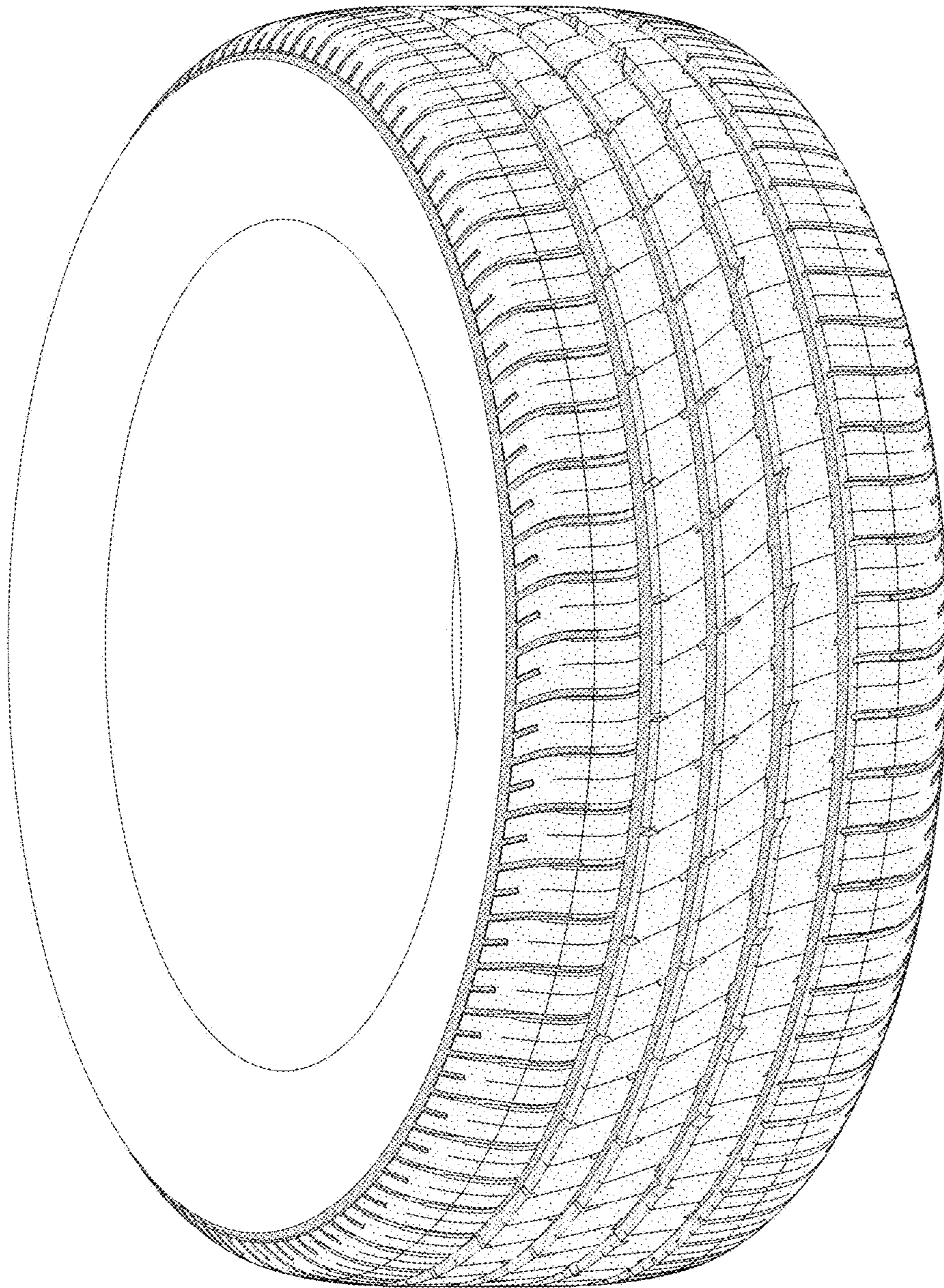


FIG - 8

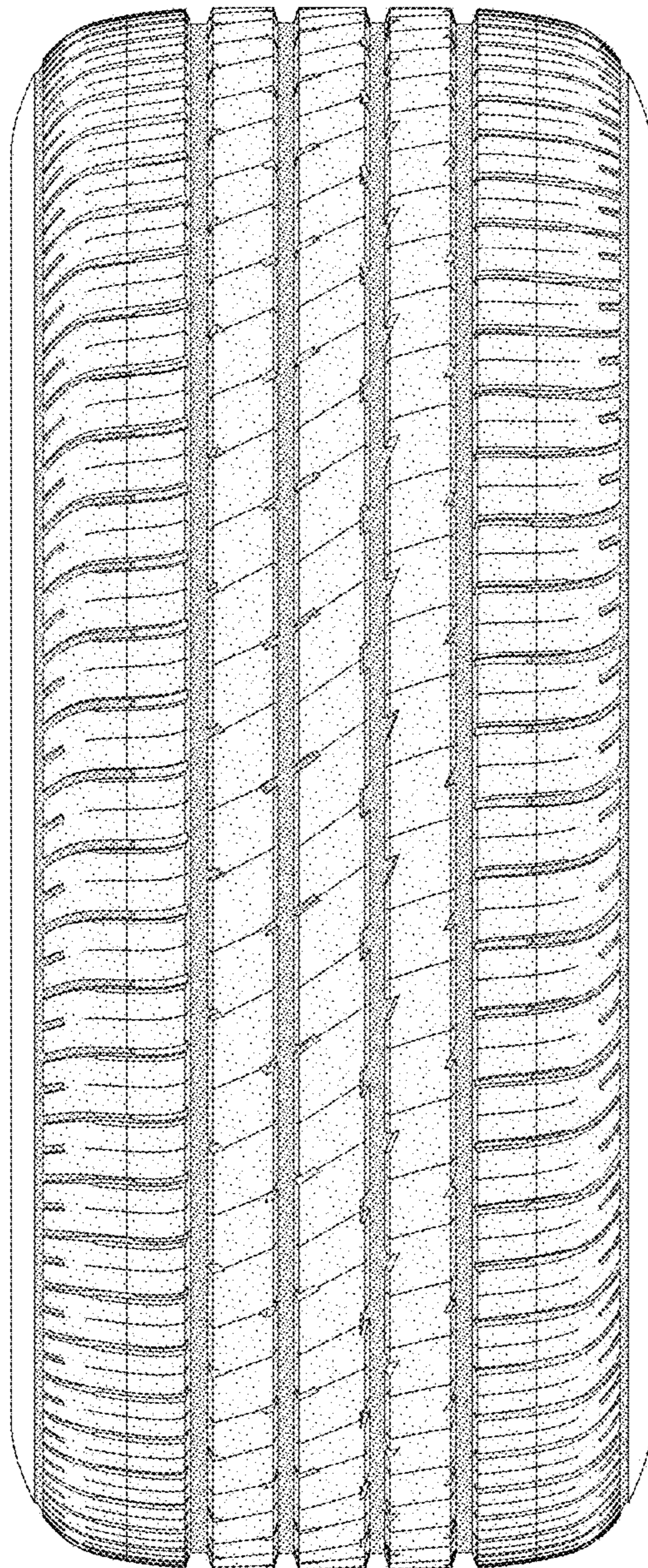


FIG - 9