



US00D948411S

(12) **United States Design Patent**
Becker

(10) **Patent No.:** **US D948,411 S**

(45) **Date of Patent:** **** Apr. 12, 2022**

(54) **ROOF RACK FOR UTILITY TERRAIN VEHICLE**

(71) Applicant: **SXS LLC**, Riverton, WY (US)

(72) Inventor: **Travis Duane Becker**, Riverton, WY (US)

(**) Term: **15 Years**

(21) Appl. No.: **29/748,807**

(22) Filed: **Sep. 1, 2020**

(51) **LOC (13) Cl.** **12-11**

(52) **U.S. Cl.**
USPC **D12/407**

(58) **Field of Classification Search**
USPC ... D12/406, 407, 408, 412, 414, 414.1, 402, D12/115; D6/681.1
CPC .. B60R 9/06; B60R 9/10; B60R 9/045; B60R 9/048
See application file for complete search history.

(56) **References Cited**

U.S. PATENT DOCUMENTS

| | | | |
|----------------|---------|-------------|-------------------------|
| 4,538,752 A | 9/1985 | Welter | |
| D299,224 S * | 1/1989 | Kamaya | D12/412 |
| D344,482 S * | 2/1994 | Arvidsson | D12/412 |
| 5,385,246 A * | 1/1995 | Grossnickle | B62H 3/00 482/61 |
| D376,577 S * | 12/1996 | Avery | D12/408 |
| 5,660,637 A * | 8/1997 | Dodge | B05B 13/0285 211/208 |
| D398,284 S * | 9/1998 | Carter | D12/406 |
| D410,429 S * | 6/1999 | Derektor | D12/406 |
| D466,331 S * | 12/2002 | Chang | D6/681.1 |
| D494,532 S * | 8/2004 | Reese | D12/406 |
| 7,243,966 B1 * | 7/2007 | Sheldon | B60P 3/40 410/32 |
| D582,337 S * | 12/2008 | Derektor | D12/406 |
| D632,228 S * | 2/2011 | Marin | D12/115 |

| | | | |
|--------------|--------|----------------|---------|
| D639,231 S * | 6/2011 | Walsh | D12/414 |
| D639,718 S * | 6/2011 | Patrick | D12/412 |
| 8,136,708 B2 | 3/2012 | Sautter et al. | |
| 8,430,286 B1 | 4/2013 | Patrick | |
| D684,505 S * | 6/2013 | Stavinga | D12/115 |
| 8,534,519 B2 | 9/2013 | Hancock et al. | |
| D722,007 S * | 2/2015 | Ting | D12/414 |
| 9,067,522 B2 | 6/2015 | Laverack | |

(Continued)

Primary Examiner — Michelle E. Wilson

Assistant Examiner — Clese Moore, Jr.

(74) *Attorney, Agent, or Firm* — Antoinette M. Tease

(57) **CLAIM**

The ornamental design for a roof rack for utility terrain vehicle, as shown and described.

DESCRIPTION

FIG. 1 is a perspective view of a roof rack for a utility terrain vehicle showing the new design.

FIG. 2 is a front view of a roof rack for a utility terrain vehicle.

FIG. 3 is rear view of a roof rack for a utility terrain vehicle.

FIG. 4 is a first side view of a roof rack for a utility terrain vehicle.

FIG. 5 is a second side view of a roof rack for a utility terrain vehicle.

FIG. 6 is a top view of a roof rack for a utility terrain vehicle.

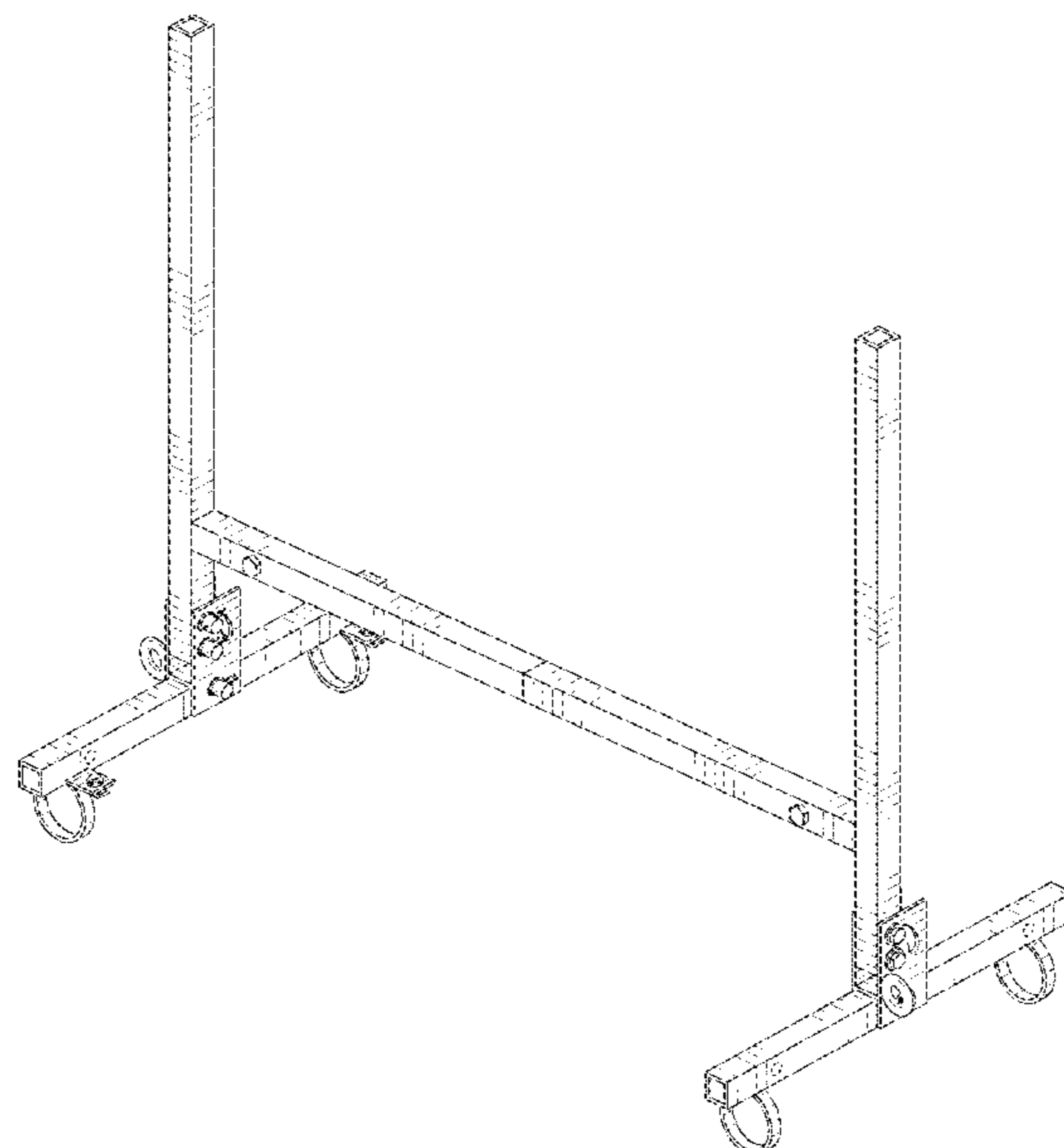
FIG. 7 is a bottom view of a roof rack for a utility terrain vehicle.

FIG. 8 is a perspective view of a roof rack for a utility terrain vehicle shown installed on the roof of a utility terrain vehicle in a fully extended position; and,

FIG. 9 is a perspective view of a roof rack for a utility terrain vehicle shown installed on the roof of a utility terrain vehicle in a fully collapsed position.

The broken lines in the drawings are for environment only and form no part of the claimed design.

1 Claim, 8 Drawing Sheets



(56)

References Cited

U.S. PATENT DOCUMENTS

| | | | | |
|--------------|------|---------|-----------------|-----------------------|
| 9,150,161 | B2 | 10/2015 | Laverack | |
| D748,887 | S * | 2/2016 | Macklin | D34/38 |
| 9,248,785 | B2 | 2/2016 | Perry | |
| 9,302,144 | B1 | 4/2016 | Benavides | |
| 9,333,922 | B2 | 5/2016 | Laverack | |
| D763,170 | S * | 8/2016 | Marankie | D12/414 |
| 9,725,046 | B2 | 8/2017 | Perry | |
| D831,562 | S * | 10/2018 | Salsi | D12/412 |
| D843,922 | S * | 3/2019 | Ting | D12/414 |
| D872,682 | S * | 1/2020 | Grams | D12/406 |
| D874,383 | S * | 2/2020 | Hammer | D12/406 |
| D874,384 | S * | 2/2020 | Salsi | D12/406 |
| 2005/0224665 | A1 * | 10/2005 | Cassavar | F16M 11/22 248/146 |
| 2009/0120981 | A1 | 5/2009 | Sautter et al. | |
| 2009/0120982 | A1 | 5/2009 | Sautter et al. | |
| 2012/0091178 | A1 | 4/2012 | Hancock et al. | |
| 2012/0234881 | A1 | 9/2012 | Sautter et al. | |
| 2013/0026202 | A1 * | 1/2013 | Williams | B60R 9/06 224/405 |
| 2014/0034693 | A1 | 2/2014 | Perry | |
| 2014/0034694 | A1 | 2/2014 | Laverack | |
| 2014/0034695 | A1 | 2/2014 | Perry | |
| 2014/0034696 | A1 * | 2/2014 | Marr | B60R 9/045 224/405 |
| 2014/0263503 | A1 | 9/2014 | Laverack et al. | |

* cited by examiner

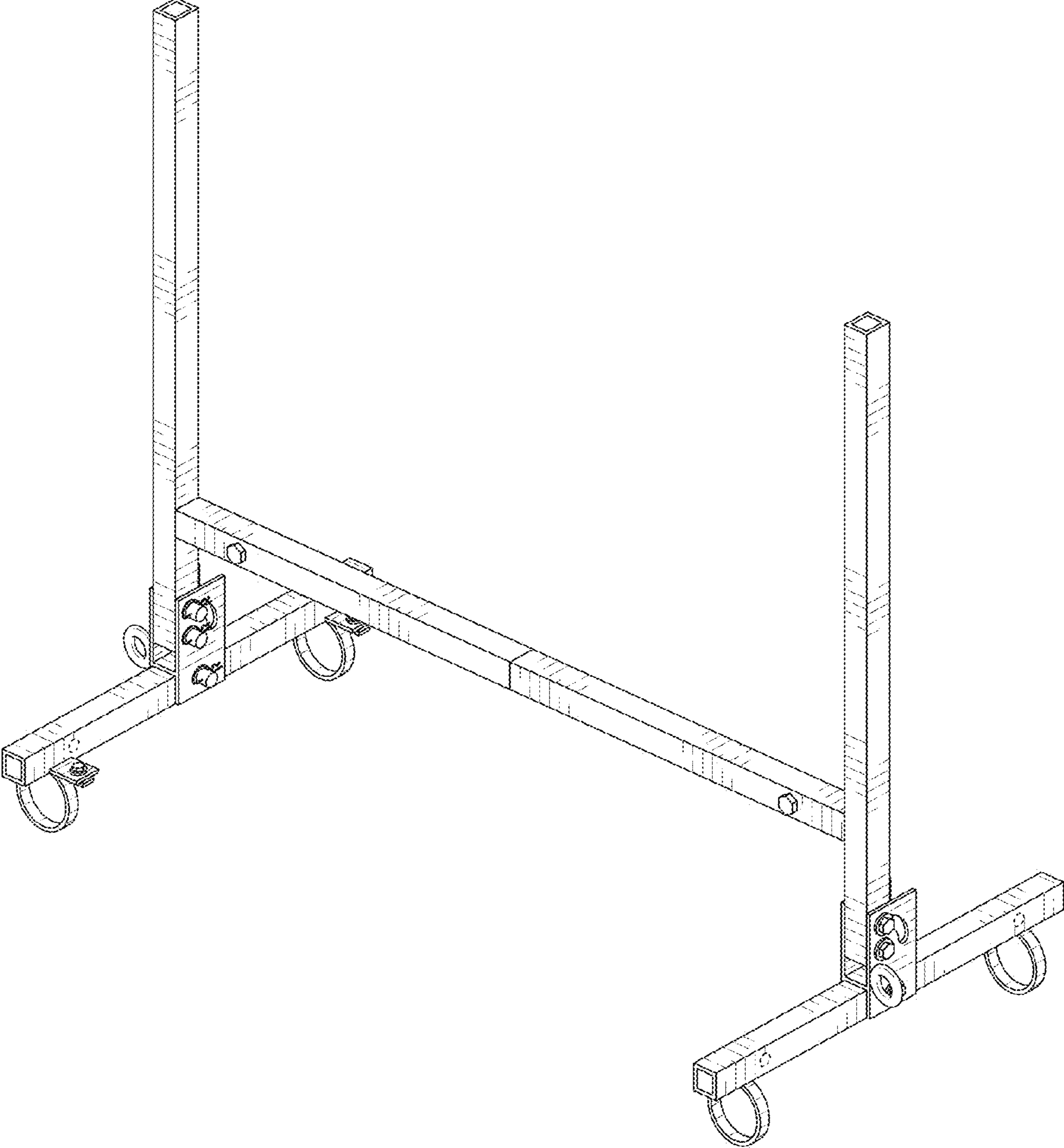


FIG. 1

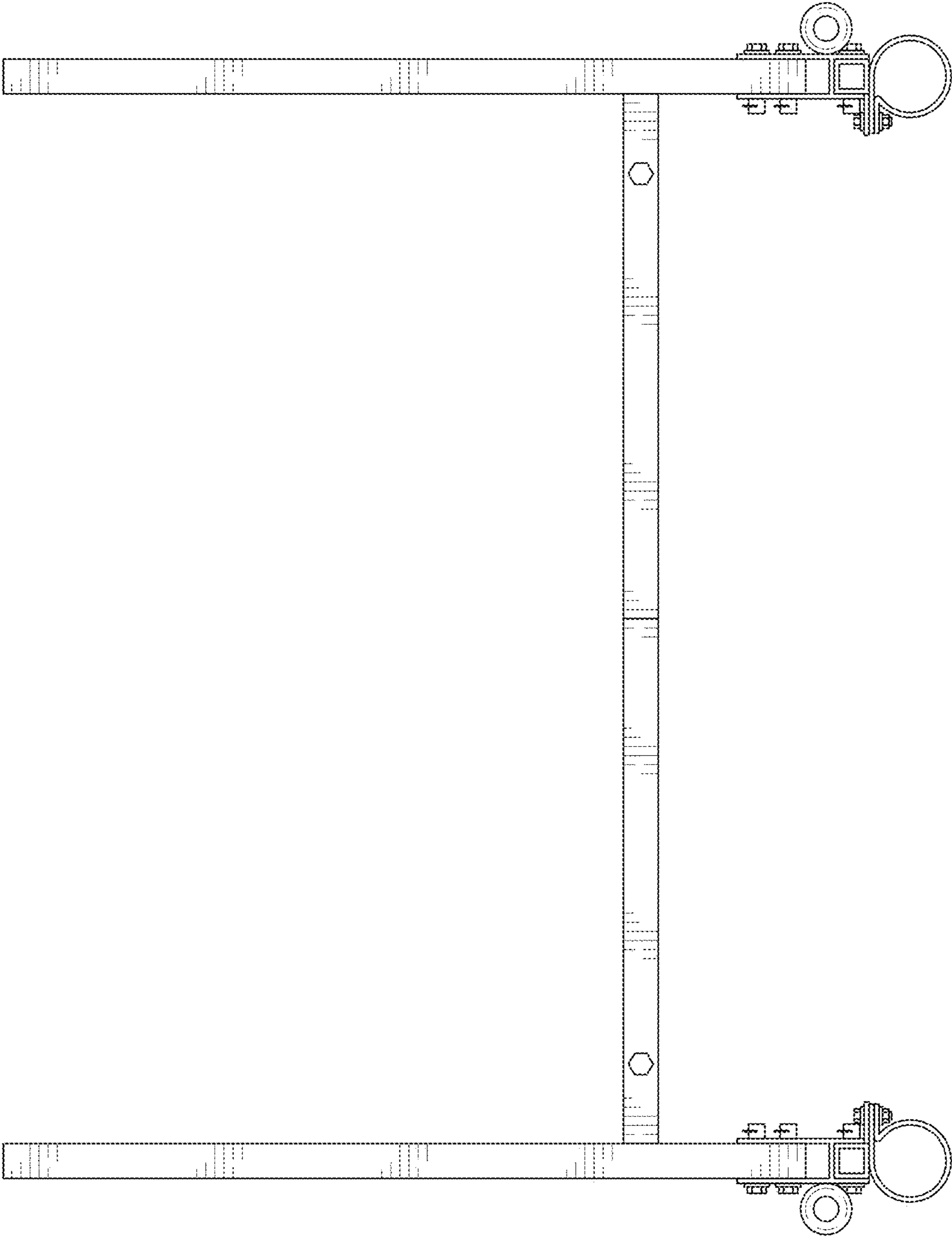


FIG. 2

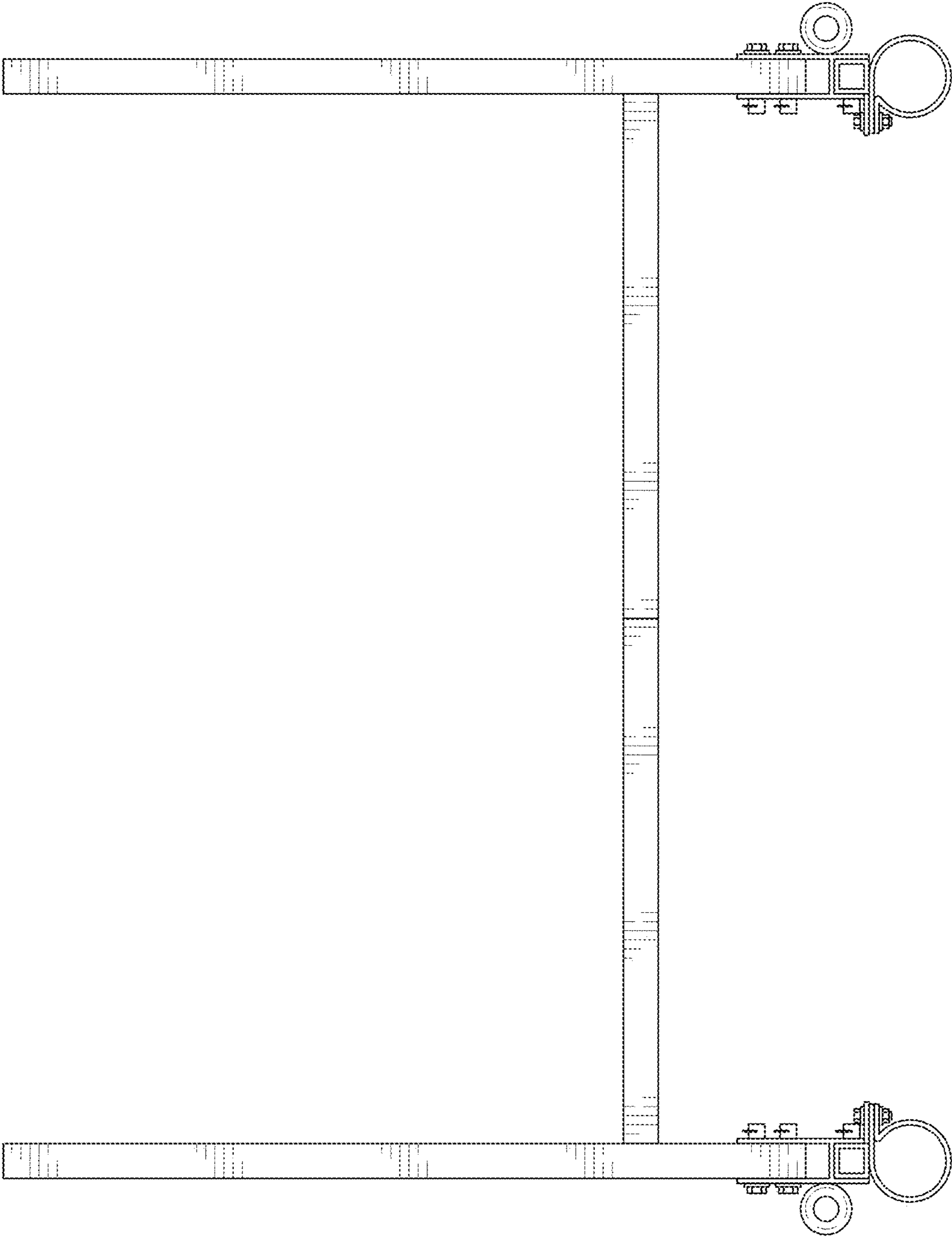


FIG. 3

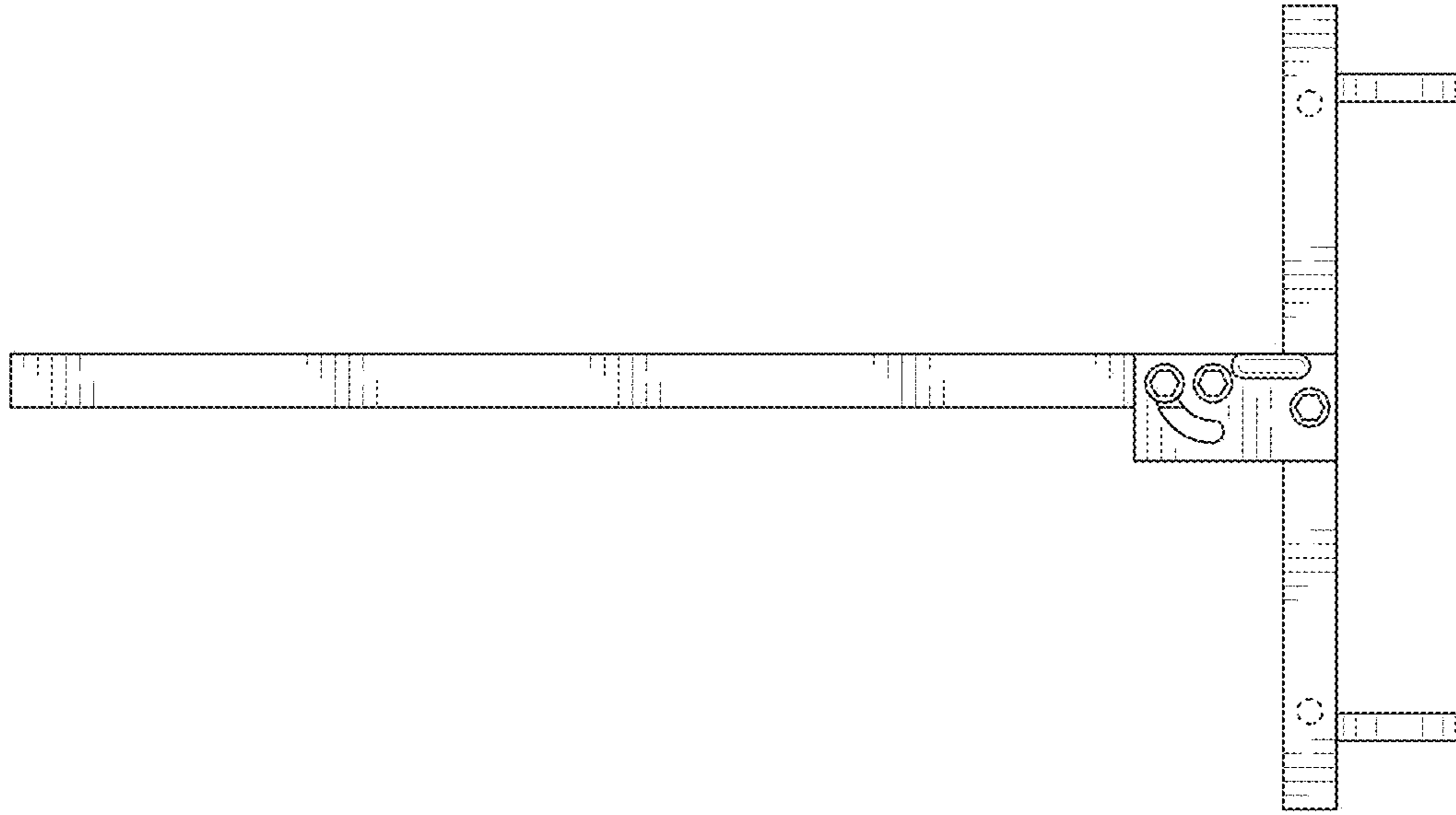


FIG. 5

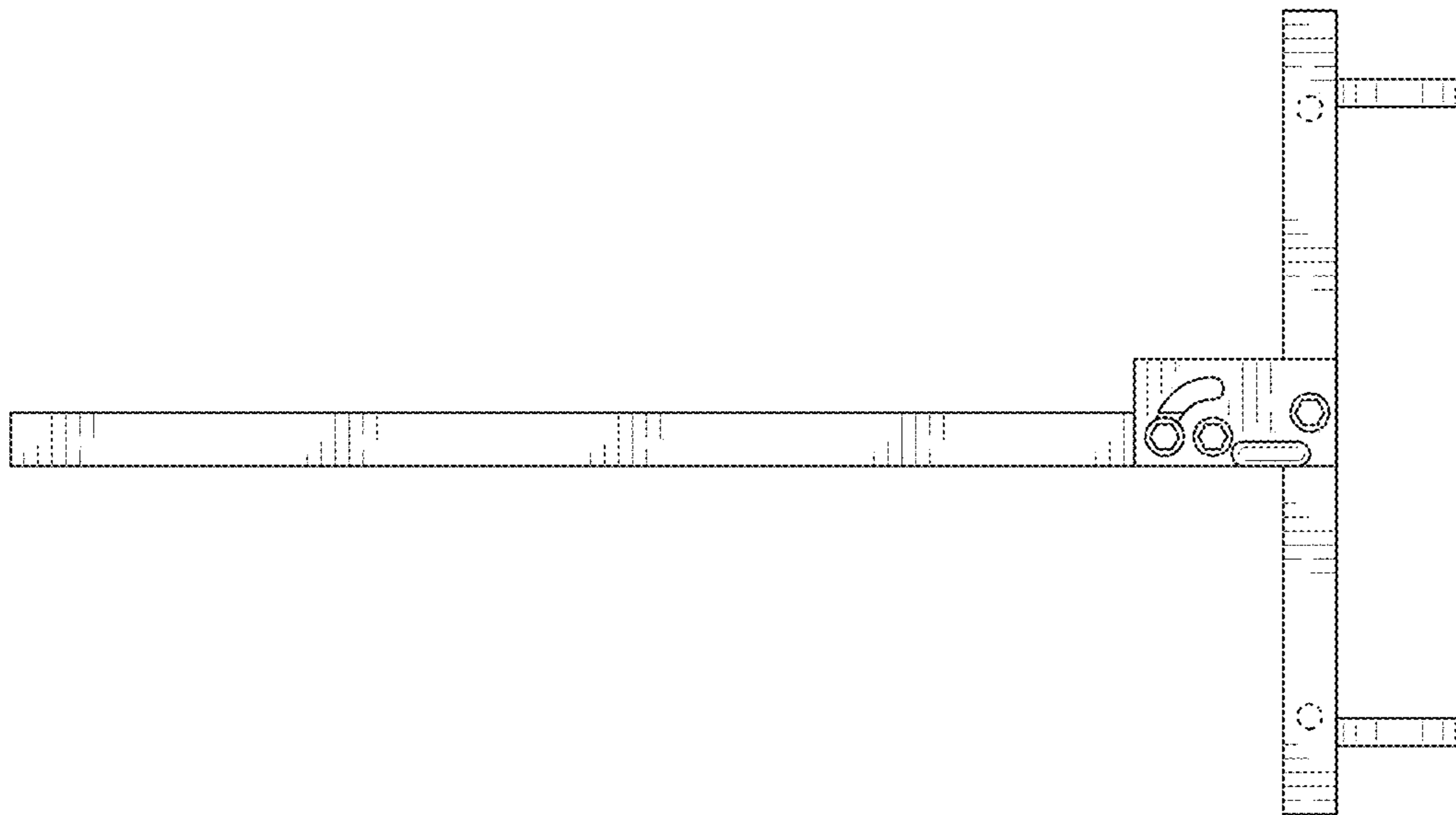


FIG. 4

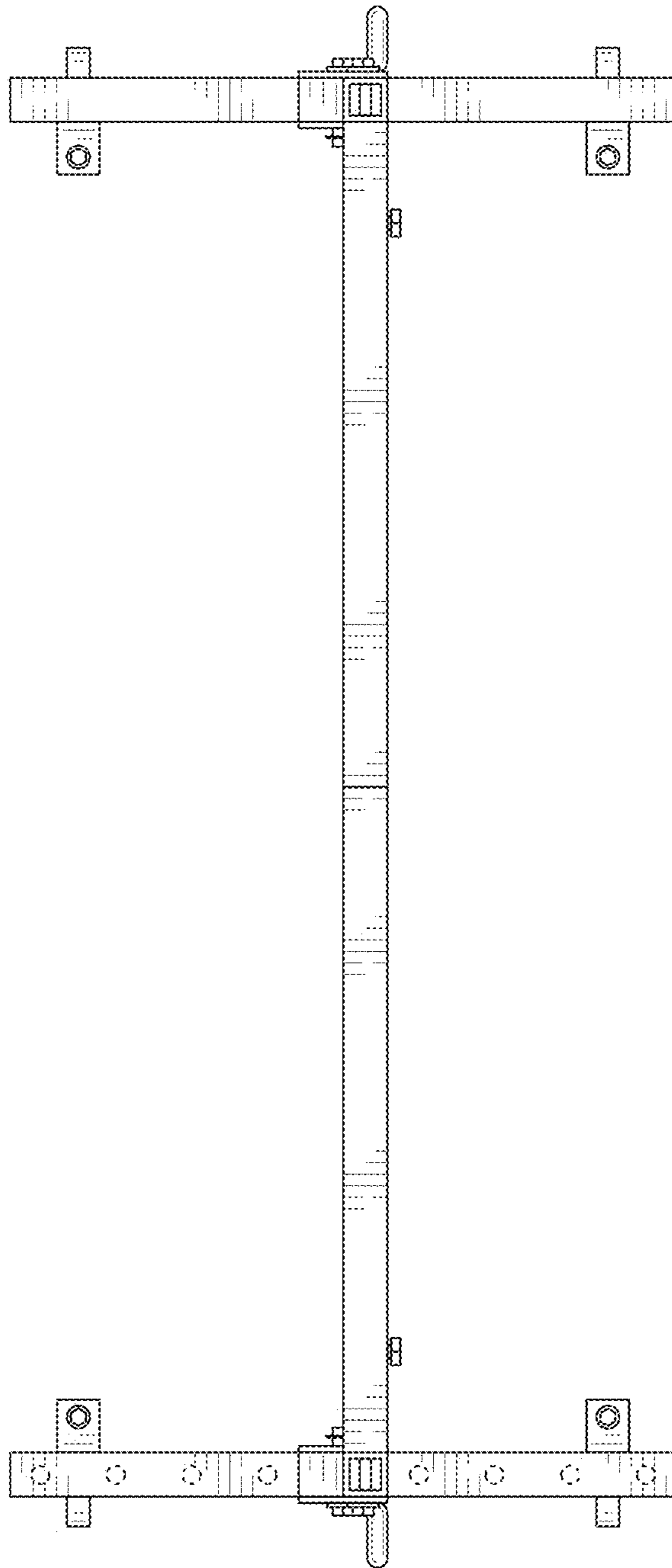


FIG. 6

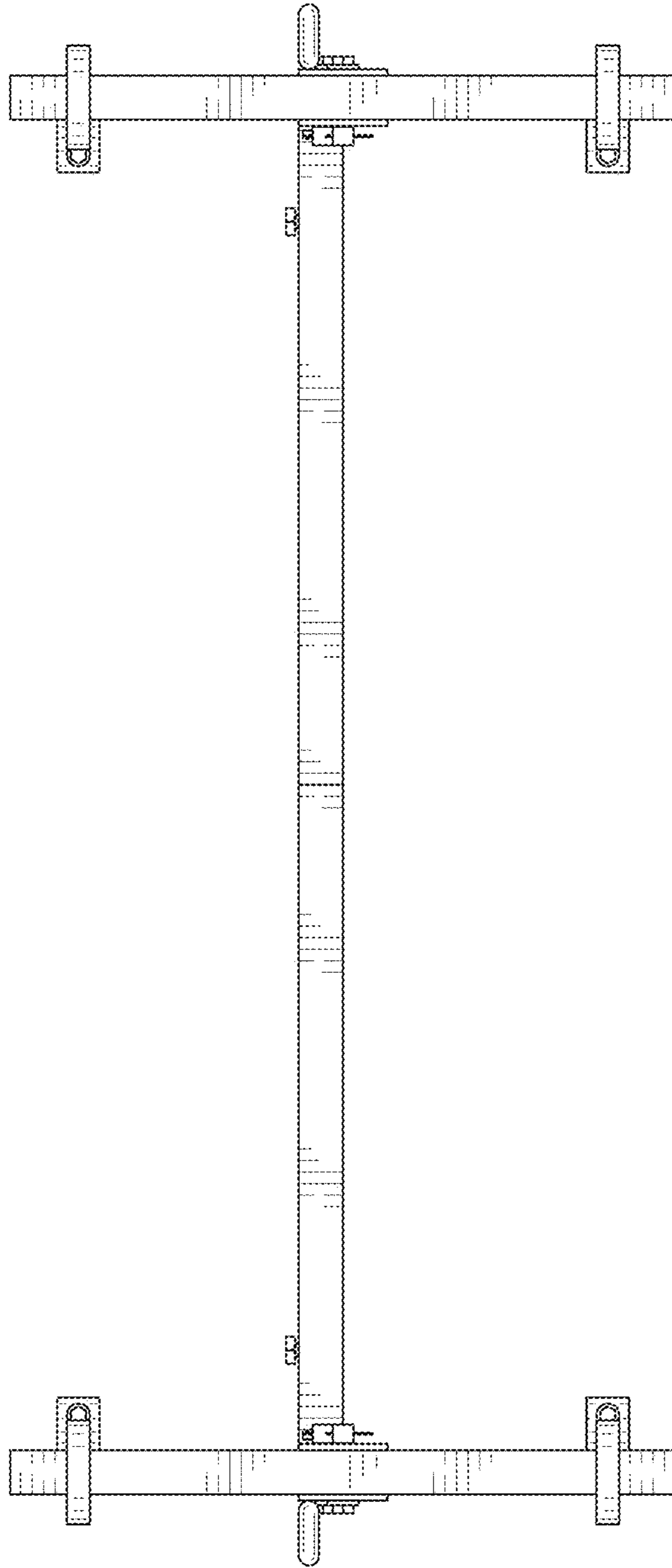
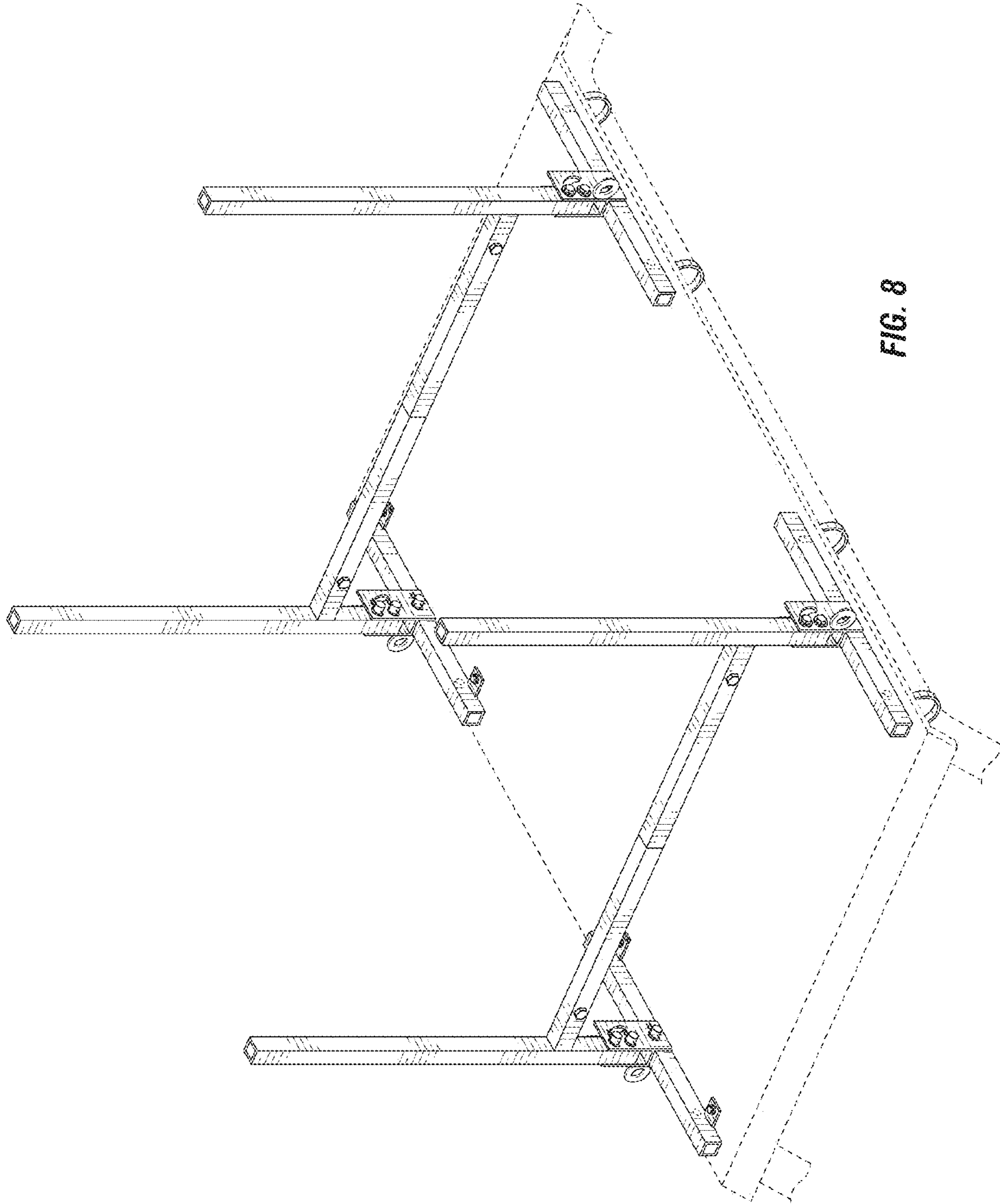


FIG. 7



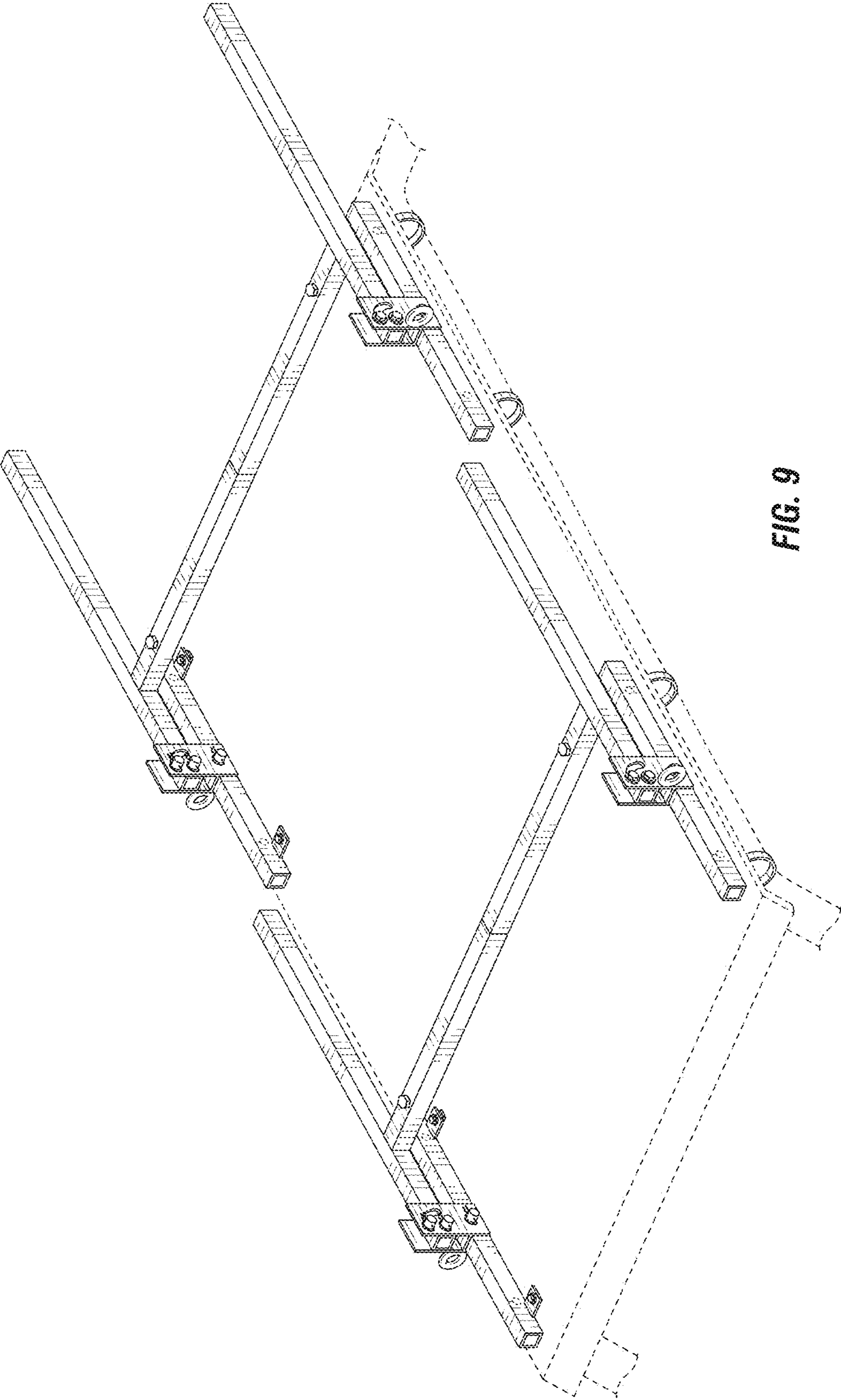


FIG. 9