

US00D948409S

(12) **United States Design Patent**  
**Bachmann**

(10) **Patent No.:** **US D948,409 S**

(45) **Date of Patent:** **\*\* Apr. 12, 2022**

(54) **COVER FOR DRONE ARMS**

(71) Applicant: **Helmuth G. Bachmann**, Salinas, CA  
(US)

(72) Inventor: **Helmuth G. Bachmann**, Salinas, CA  
(US)

(73) Assignee: **Helmuth G. Bachmann**, Salinas, CA  
(US)

(\*\*) Term: **15 Years**

(21) Appl. No.: **29/660,464**

(22) Filed: **Aug. 21, 2018**

(51) **LOC (13) Cl.** ..... **12-07**

(52) **U.S. Cl.**  
USPC ..... **D12/345; D12/401**

(58) **Field of Classification Search**  
USPC ..... D12/1-4, 16.1, 319-345; D21/436, 441,  
D21/443, 444, 446, 447, 448, 449, 450,  
D21/451, 452, 453, 454; D25/103, 136  
CPC ..... B64C 2201/141; B64C 2201/20; B64C  
2201/027; B64C 1/40; B64C 21/00;  
B64G 1/002; A63H 33/185  
See application file for complete search history.

(56) **References Cited**

U.S. PATENT DOCUMENTS

D457,480 S *	5/2002	Natsume	.....	D12/345
D623,581 S *	9/2010	Masson	.....	D12/345
D632,633 S *	2/2011	Masson	.....	D12/345
D638,341 S *	5/2011	Schuephaus	.....	D12/345
D638,775 S *	5/2011	Masson	.....	D12/345
D714,470 S *	9/2014	Moller	.....	D25/136
D730,265 S *	5/2015	Aruga	.....	D12/345
D735,363 S *	7/2015	Moller	.....	D25/136
D754,053 S	4/2016	Robertson		
D768,539 S *	10/2016	Lee	.....	D12/16.1
D769,985 S	10/2016	Roberts		
D798,797 S *	10/2017	Lee	.....	D12/345

D798,964 S	10/2017	Lee		
D801,224 S	10/2017	Li		
D813,723 S *	3/2018	Ahn	.....	D12/16.1
D830,229 S *	10/2018	Lutterodt	.....	D12/16.1
D866,396 S *	11/2019	Chen	.....	D12/16.1
D874,973 S *	2/2020	Zhou	.....	D12/16.1

(Continued)

FOREIGN PATENT DOCUMENTS

CN	107310739 A	11/2017
EP	2942094 B1	8/2016

Primary Examiner — Marissa J Cash

(57) **CLAIM**

The ornamental design for a cover for drone arms, as shown and described.

**DESCRIPTION**

FIG. 1 is a front right perspective view of a cover for drone arms in accordance with the present invention shown in a state of use with an unclaimed drone arm;

FIG. 2 is a rear right perspective view of a cover for drone arms in accordance with the present invention shown in a state of use with an unclaimed drone arm thereof;

FIG. 3 is a top plain view of a cover for drone arms shown removed when not in use and from drone arm environment for clarity of disclosure;

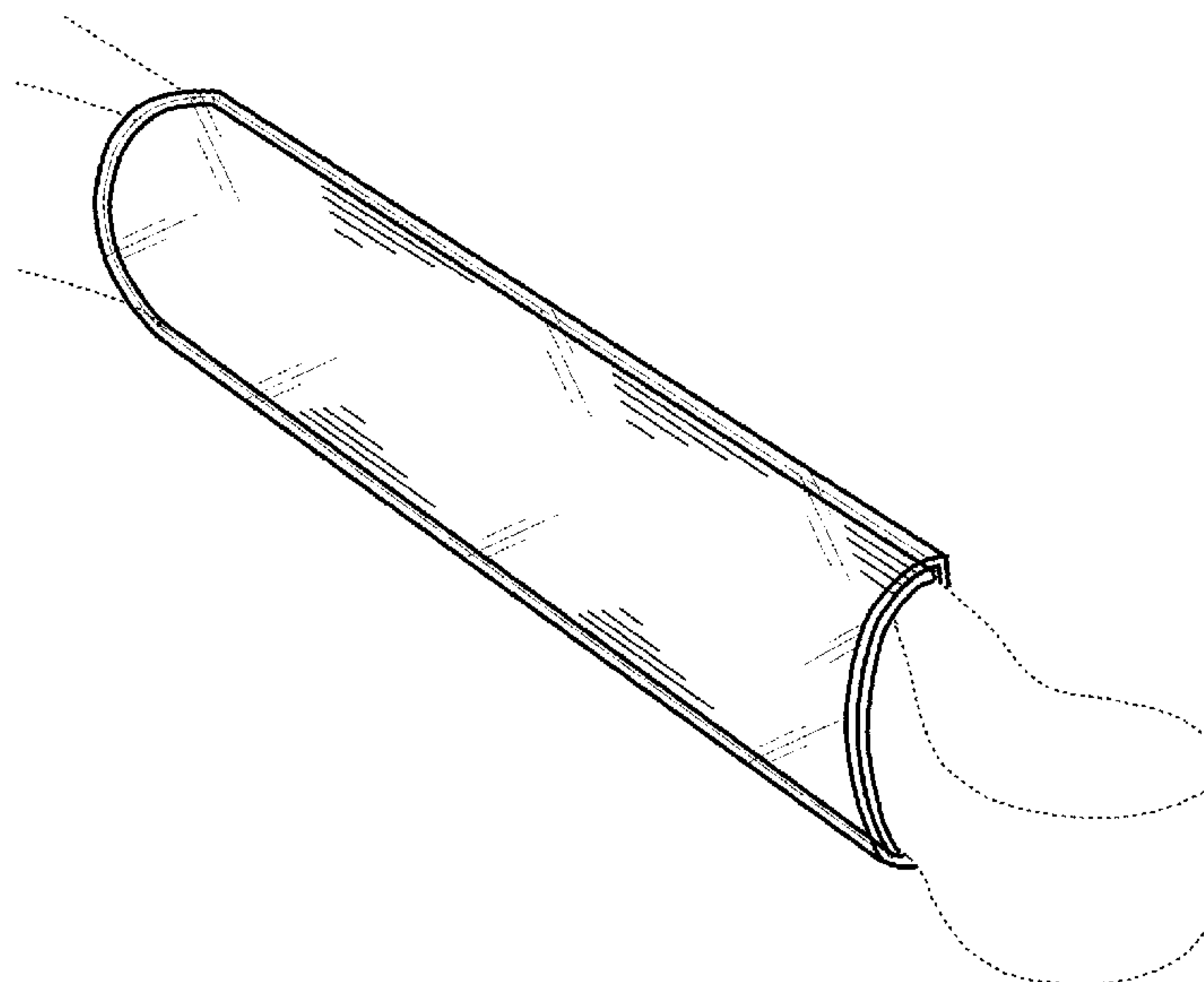
FIG. 4 is a rear right perspective of a cover for drone arms view shown removed when not in use and from drone arm environment for clarity of disclosure thereof;

FIG. 5 is a sectional view taken along line 5-5 in FIG. 2 of a cover for drone arms shown in a state of use with an unclaimed drone arm thereof; and,

FIG. 6 is a sectional view taken along line 6-6 in FIG. 4 of a cover for drone arms shown removed when not in use and from environment for clarity of disclosure thereof.

The broken lines in figures show environmental subject matter only and form no part of the claimed design.

**1 Claim, 3 Drawing Sheets**



(56)

**References Cited**

U.S. PATENT DOCUMENTS

D881,067 S \* 4/2020 Zhou ..... D12/16.1  
D910,531 S \* 2/2021 Morrison ..... D12/345  
D912,602 S \* 3/2021 Morrison ..... D12/345  
2015/0259066 A1\* 9/2015 Johannesson ..... B64C 1/30  
244/17.27  
2017/0001721 A1\* 1/2017 Saika ..... B64C 39/024  
2017/0361927 A1 12/2017 Lavagen et al.  
2021/0107637 A1\* 4/2021 Bachmann ..... B64C 27/22

\* cited by examiner

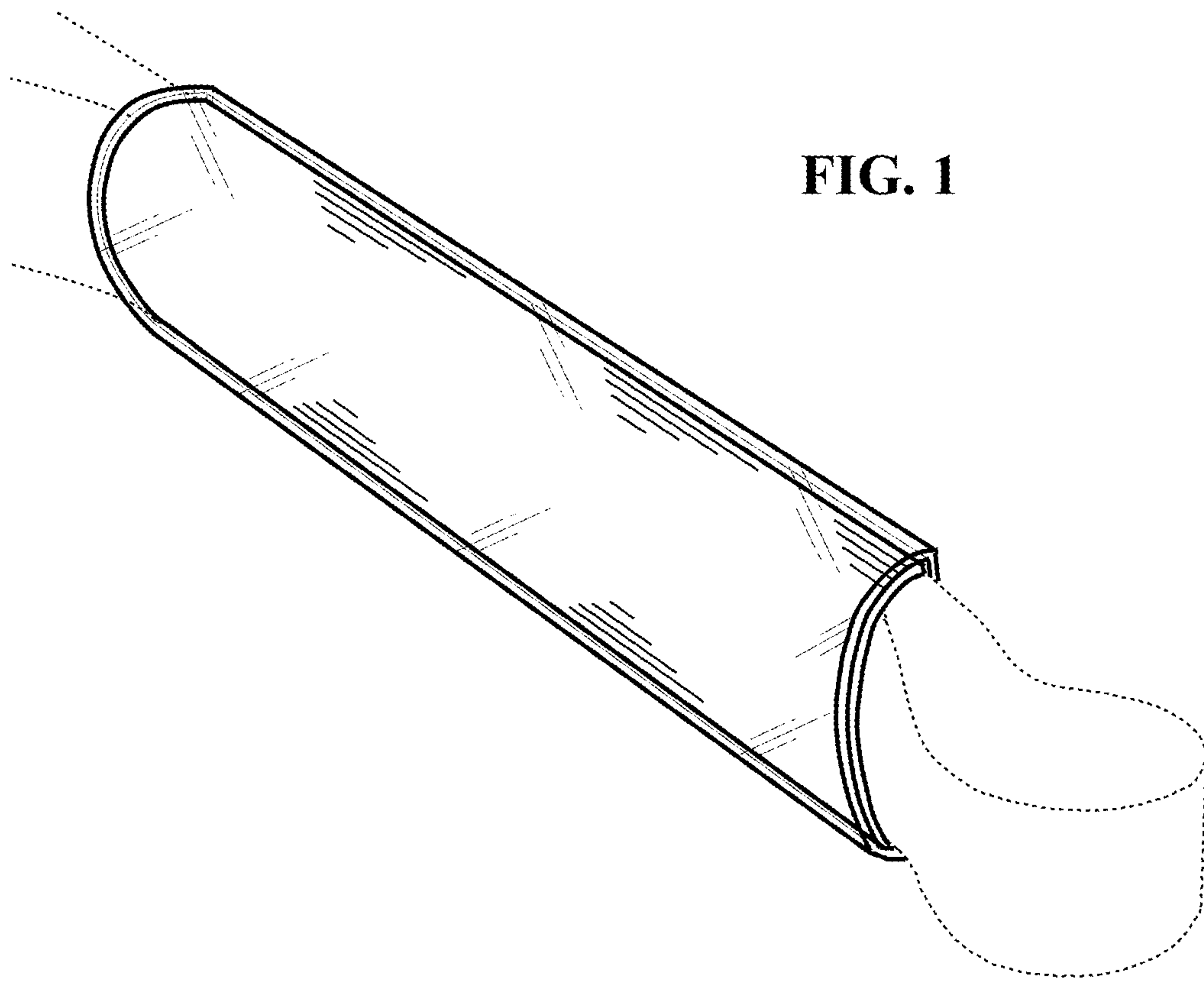


FIG. 1

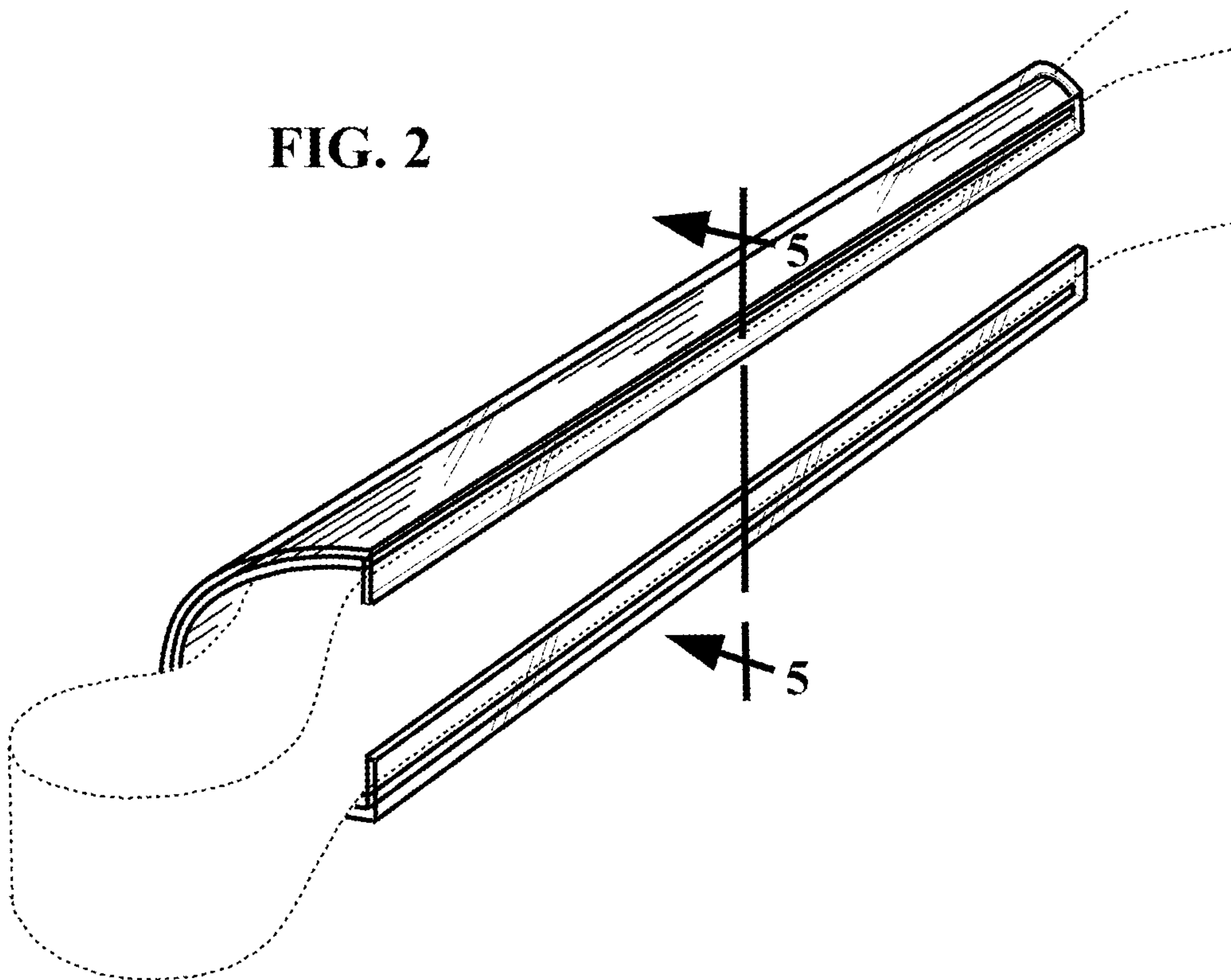


FIG. 2

FIG. 3

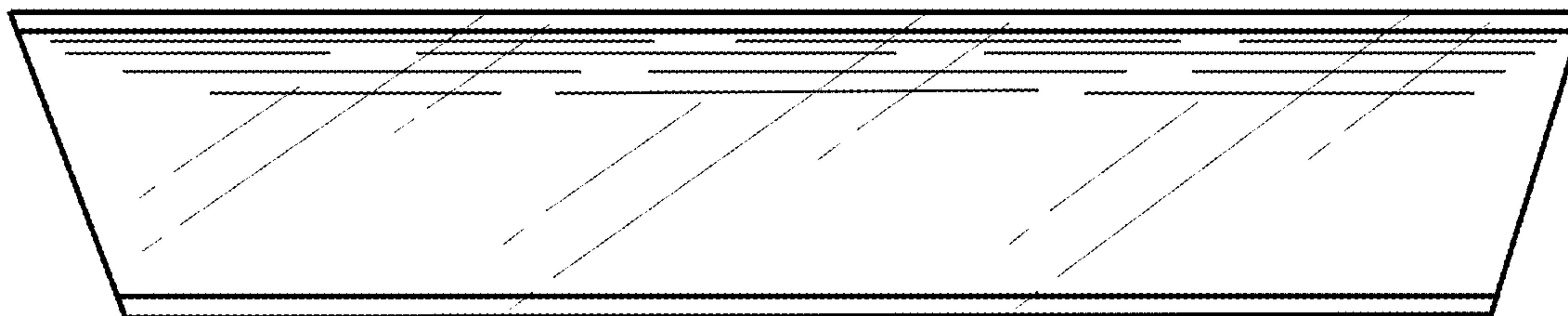


FIG. 4

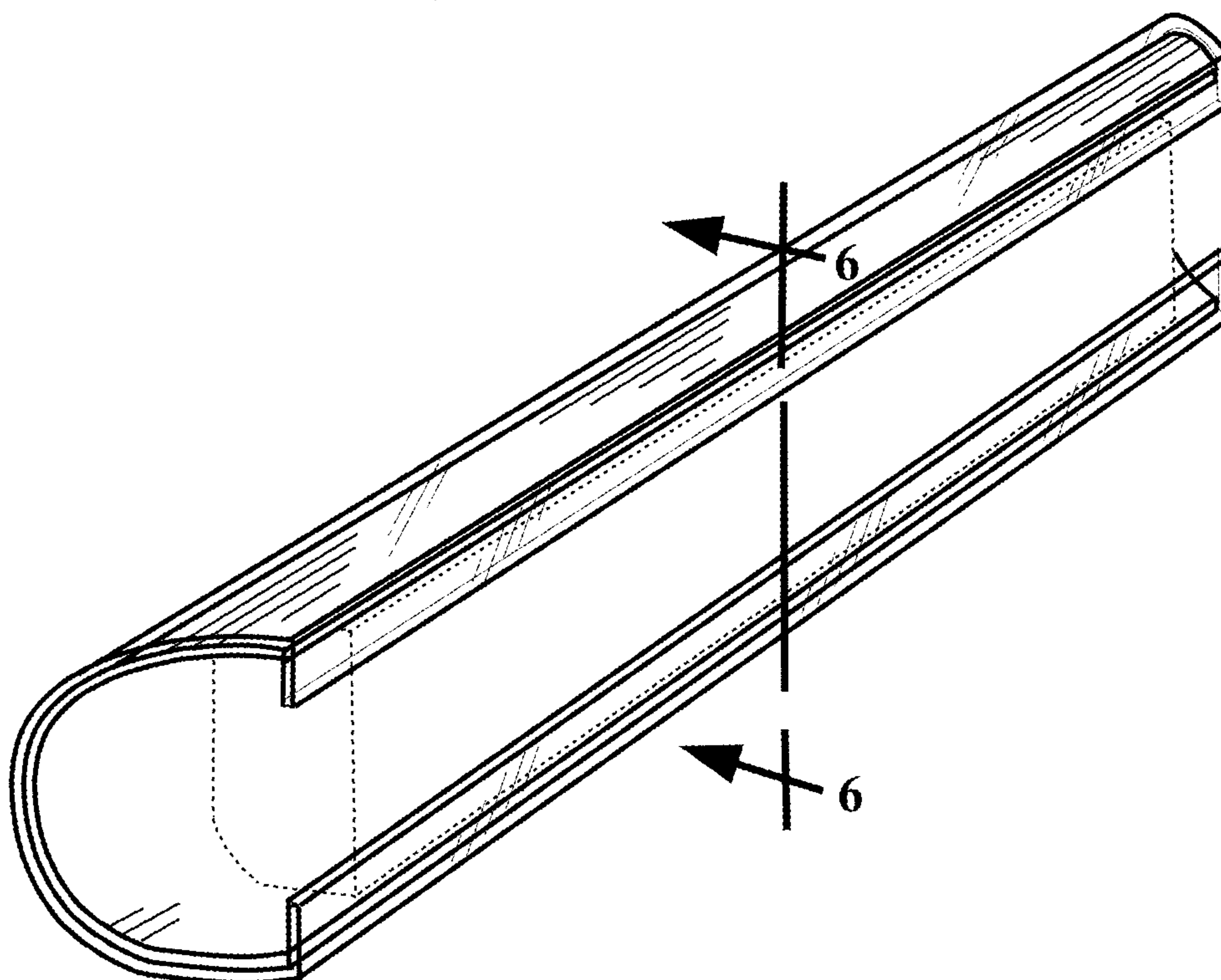




FIG. 5

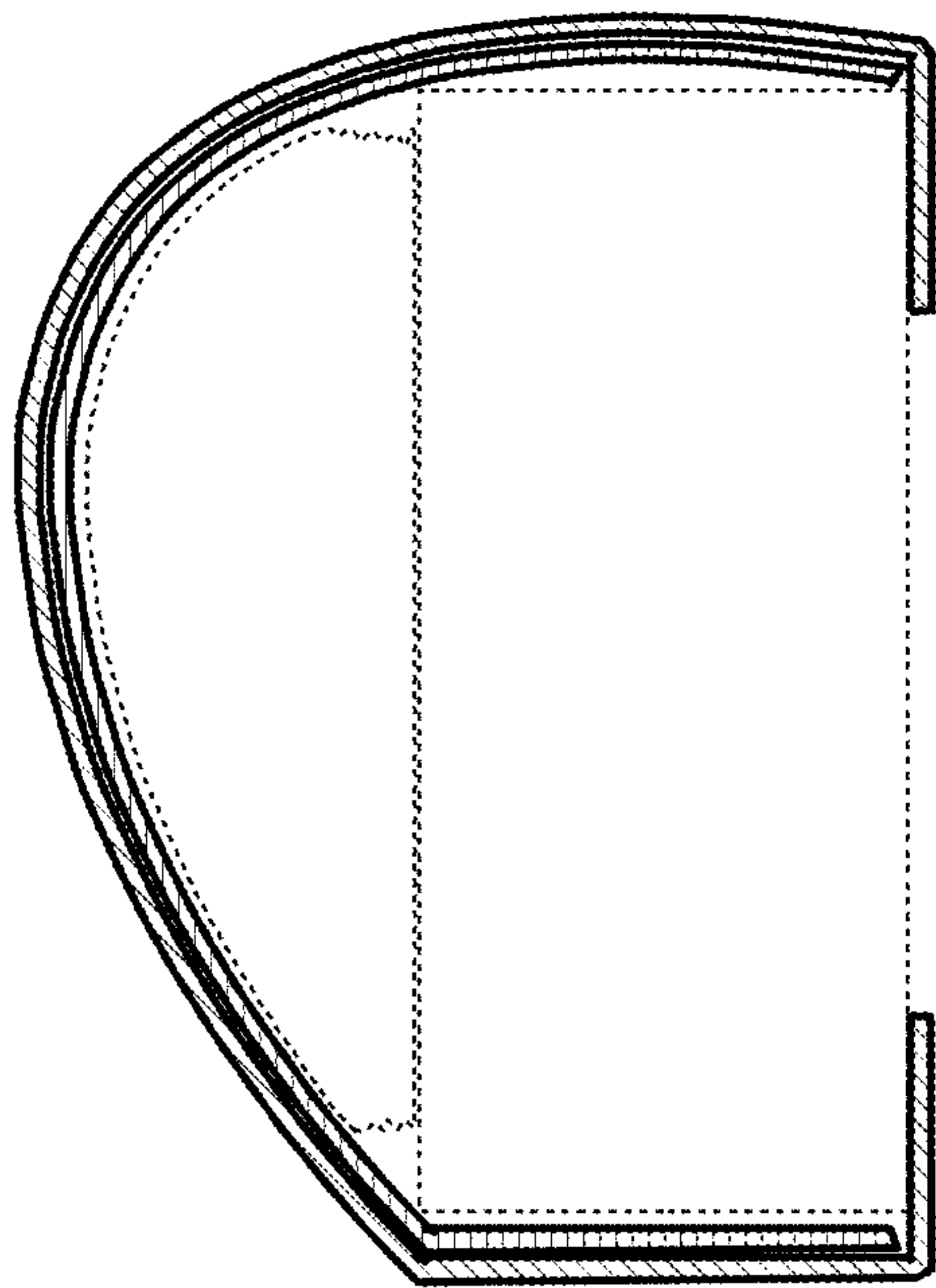


FIG. 6

