



US00D948408S

(12) **United States Design Patent**
Yamamoto

(10) **Patent No.:** **US D948,408 S**
(45) **Date of Patent:** **** Apr. 12, 2022**

(54) **WATER SCOOTER**

(71) Applicant: **Yamaha Hatsudoki Kabushiki Kaisha,**
Shizuoka-ken (JP)

(72) Inventor: **Hisashi Yamamoto,** Kyoto (JP)

(73) Assignee: **YAMAHA HATSUDOKI**
KABUSHIKI KAISHA, Shizuoka-Ken
(JP)

(**) Term: **15 Years**

(21) Appl. No.: **29/732,782**

(22) Filed: **Apr. 28, 2020**

(30) **Foreign Application Priority Data**

Oct. 28, 2019 (EM) 007137617

(51) **LOC (13) Cl.** **12-06**

(52) **U.S. Cl.**

USPC **D12/307**

(58) **Field of Classification Search**

USPC D12/300, 307, 317

CPC B63B 34/00; B63B 34/10; B63H 11/00

See application file for complete search history.

(56) **References Cited**

U.S. PATENT DOCUMENTS

D286,629 S * 11/1986 Suzuki D12/307
D289,990 S * 5/1987 Suzuki D12/307

D306,004 S * 2/1990 Nakagawa D12/307
5,076,191 A * 12/1991 Madore B63B 32/70
114/55.52
D483,449 S * 12/2003 Shimizugami D12/307
D527,701 S * 9/2006 Bucaccio D12/307
7,140,314 B2 * 11/2006 Kamio B63B 34/10
114/55.52
D843,918 S * 3/2019 Kobayashi D12/307
2017/0190407 A1 * 7/2017 Araki B63B 34/10
2021/0197941 A1 * 7/2021 Azuma B63B 34/10

* cited by examiner

Primary Examiner — Cynthia M. Chin

(74) *Attorney, Agent, or Firm* — Ostrolenk Faber LLP

(57) **CLAIM**

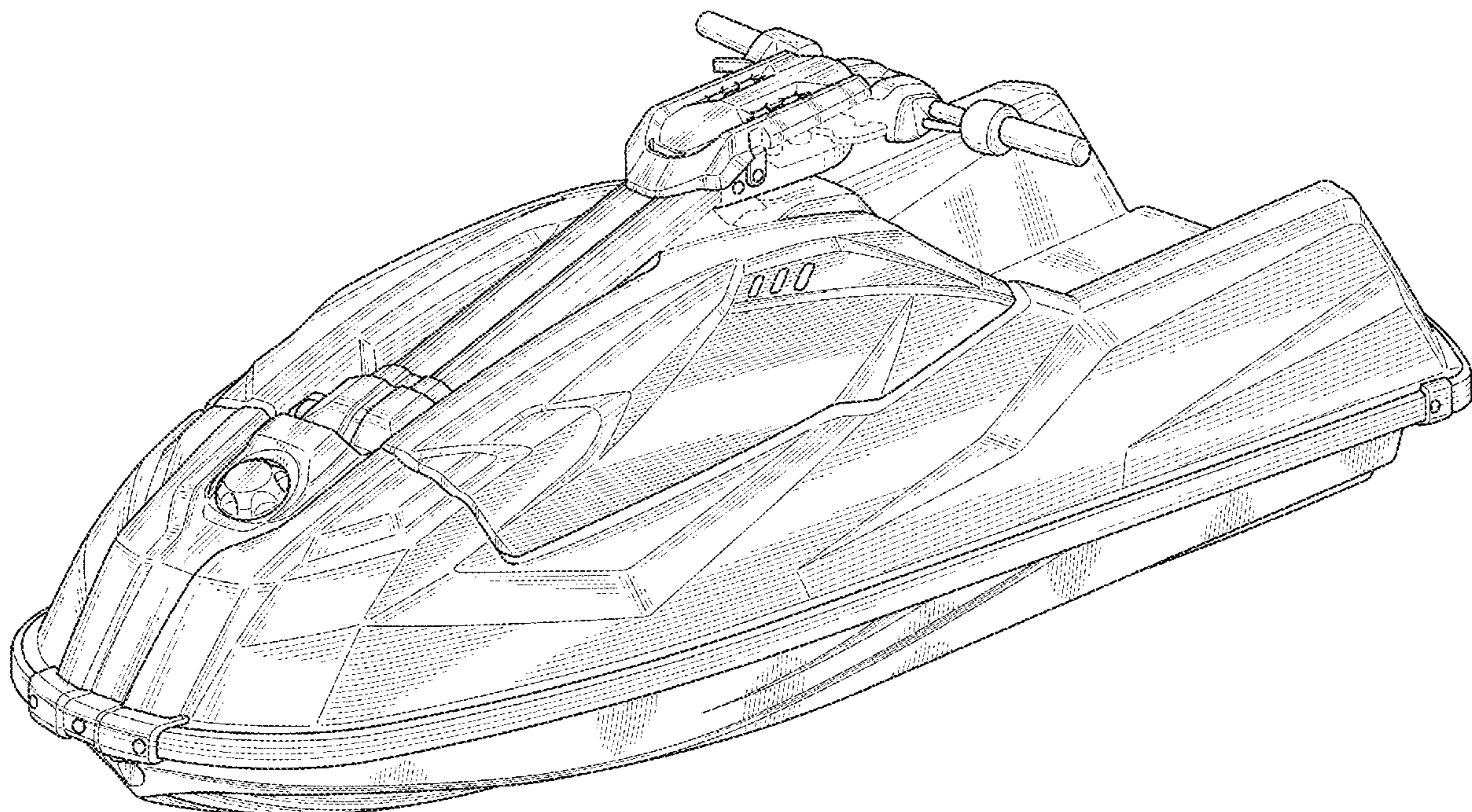
The ornamental design for a water scooter, as shown and described.

DESCRIPTION

FIG. 1 is a perspective view of a water scooter;
FIG. 2 is a front view thereof;
FIG. 3 is a rear view thereof;
FIG. 4 is a left side view thereof;
FIG. 5 is a right side view thereof;
FIG. 6 is a top view thereof; and,
FIG. 7 is a bottom view thereof.

The broken lines are for the purpose of illustrating portions of the article that form no part of the claimed design.

1 Claim, 7 Drawing Sheets



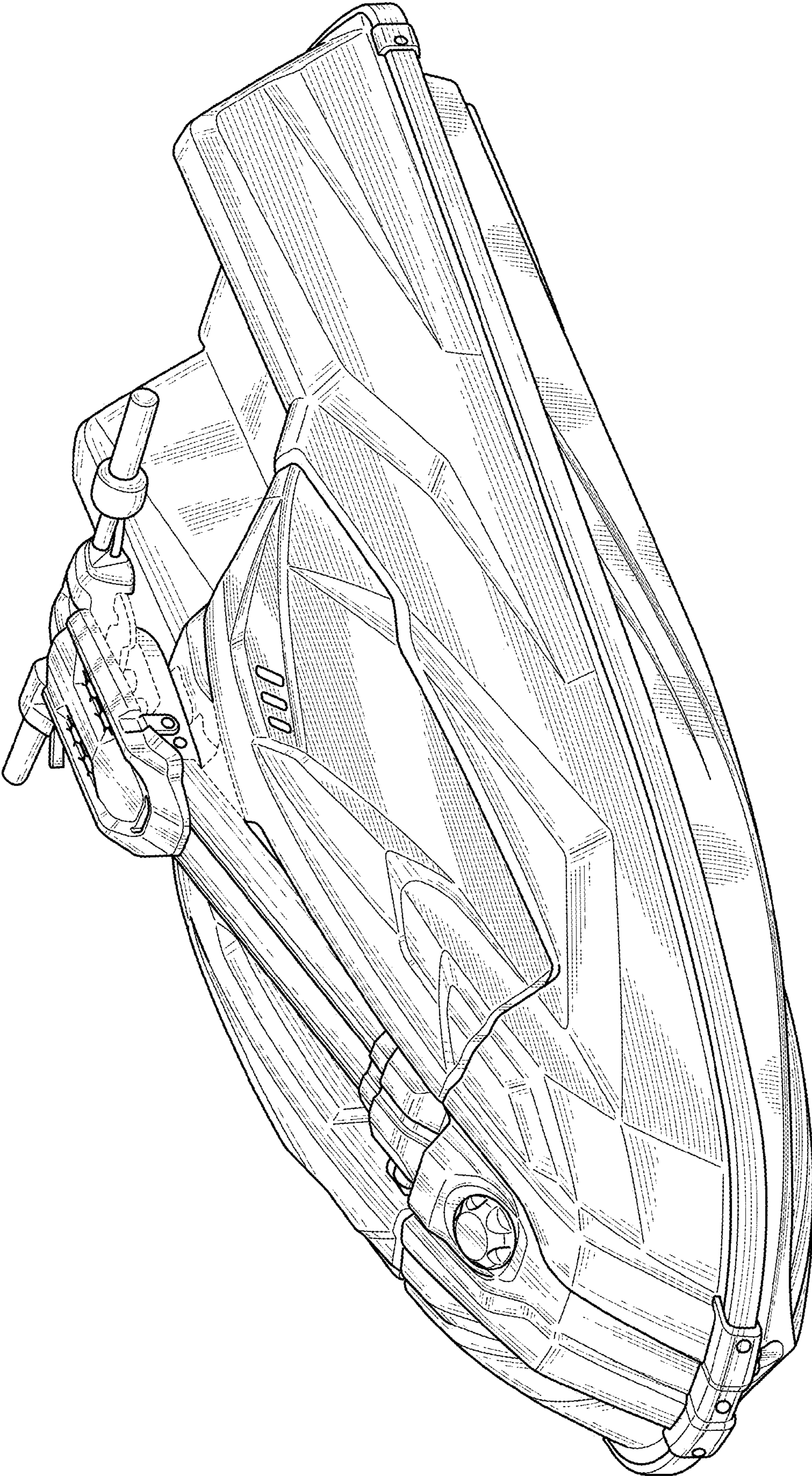


Fig. 1

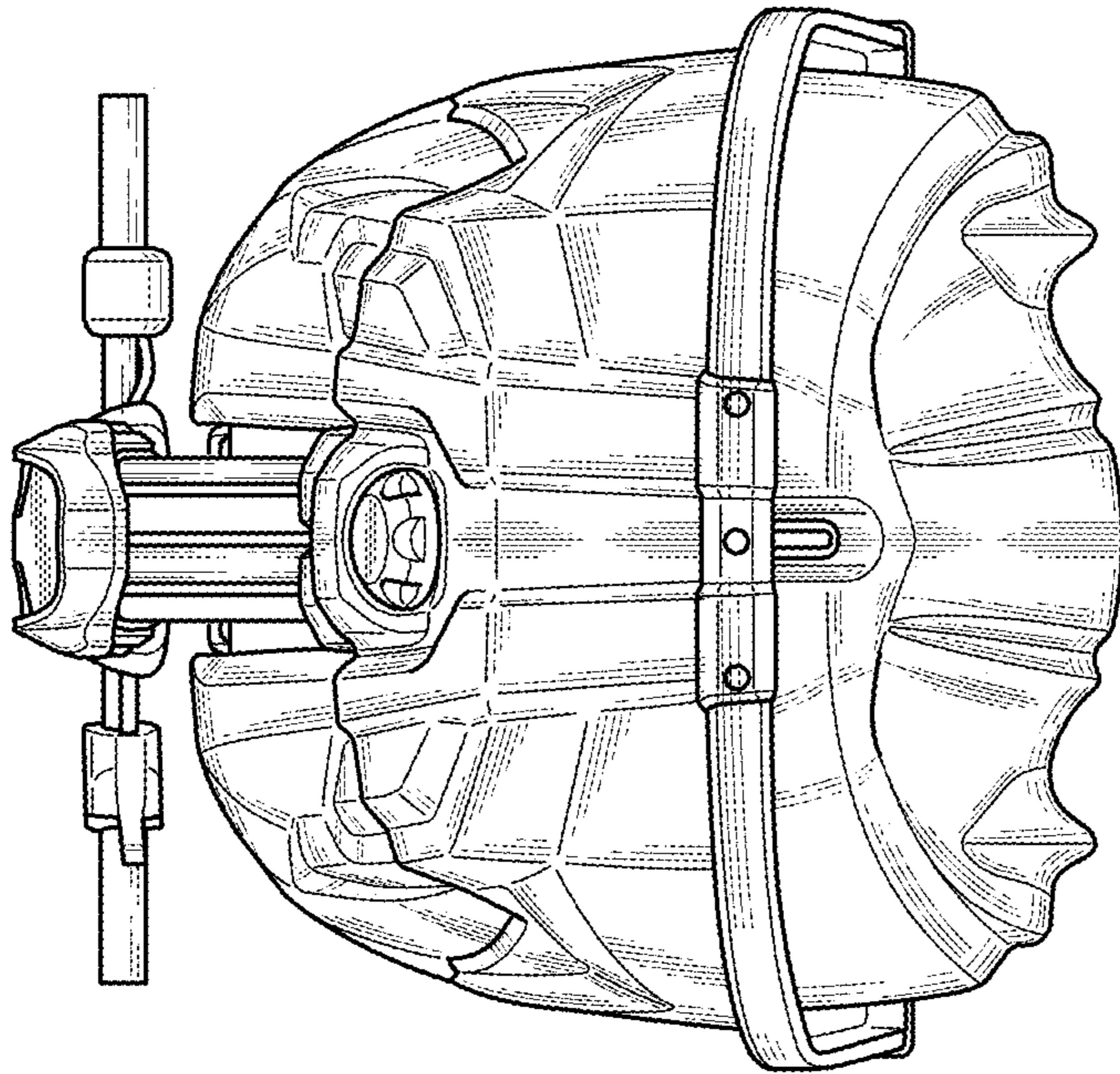


Fig.2

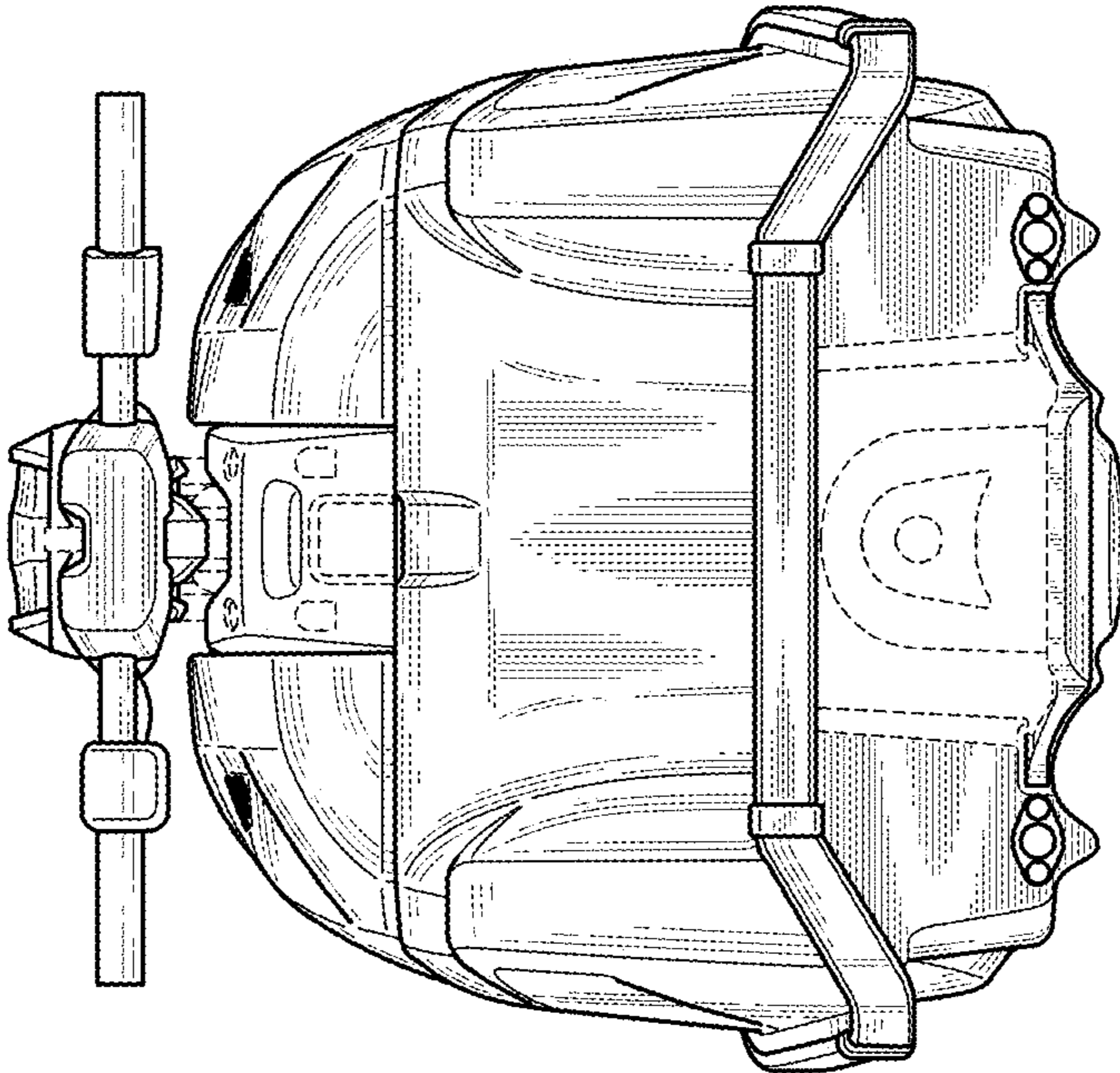


Fig.3

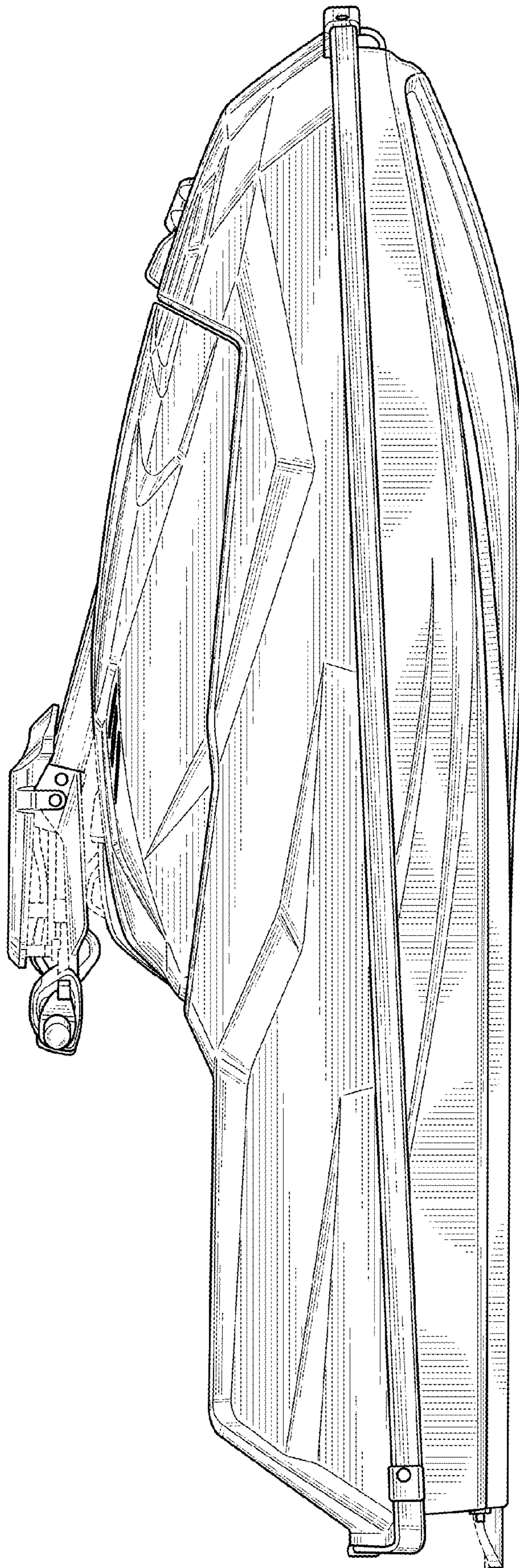


Fig.4

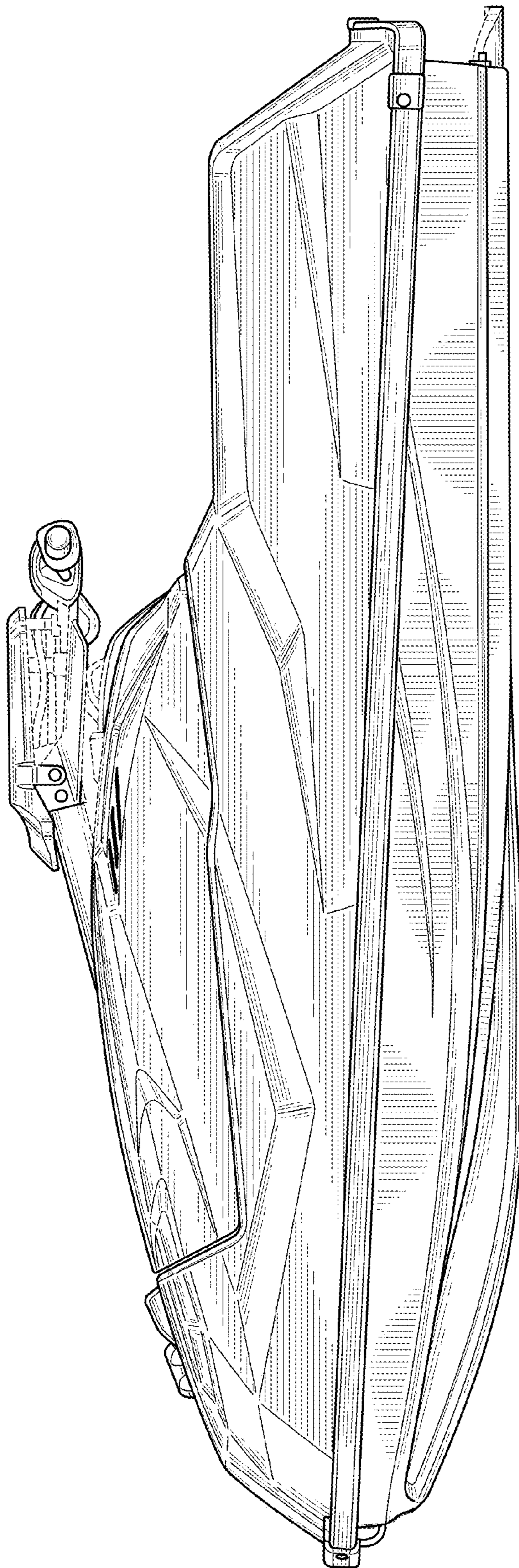


Fig. 5

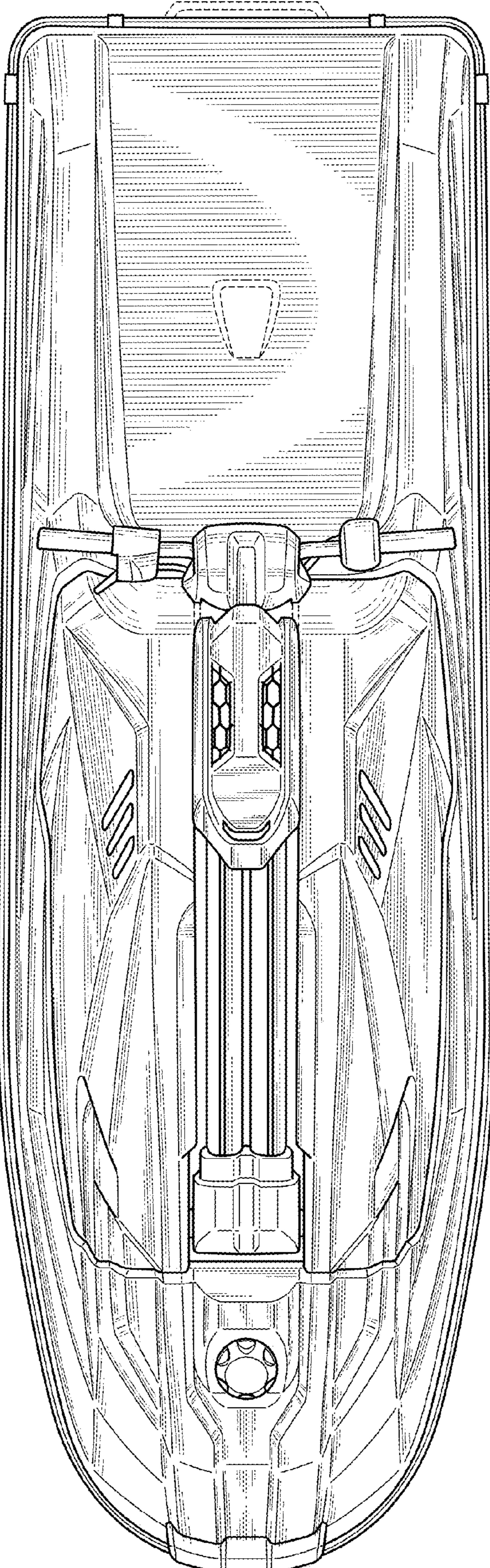


Fig.6

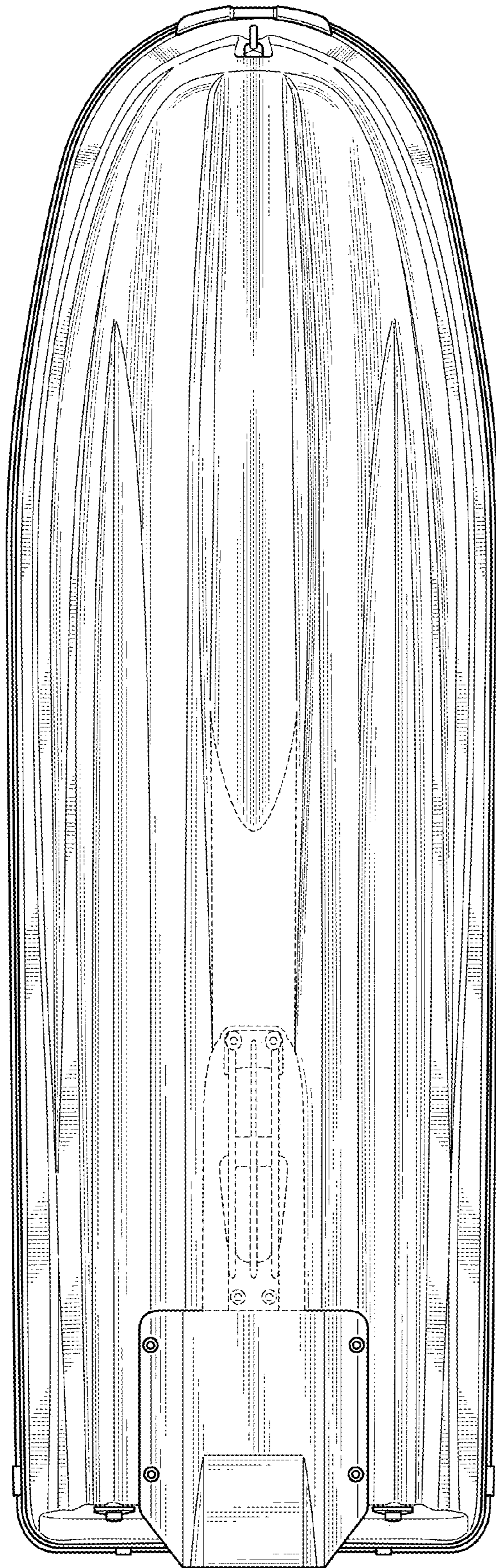


Fig.7