



US00D948407S

(12) **United States Design Patent**
Lippert et al.

(10) **Patent No.:** **US D948,407 S**

(45) **Date of Patent:** **** Apr. 12, 2022**

(54) **WHEEL HUB CAP**

(71) Applicant: **Invacare Corporation**, Elyria, OH
(US)

(72) Inventors: **Stefan Lippert**, Stuttgart (DE);
Thorsten Wickert, Stuttgart (DE);
Sebastian Thorand, Stuttgart (DE)

(73) Assignee: **Invacare Corporation**, Elyria, OH
(US)

(**) Term: **15 Years**

(21) Appl. No.: **29/725,397**

(22) Filed: **Feb. 25, 2020**

(51) **LOC (13) Cl.** **12-16**

(52) **U.S. Cl.**

USPC **D12/213**

(58) **Field of Classification Search**

USPC D12/204–213; D21/563

CPC B60B 7/00; B60B 7/02; B60B 7/04; B60B

7/01; B60B 7/06; B60B 3/02; B60B 3/04;

B60B 3/06; B60B 3/10; B60B 1/00;

B60B 1/08; B60B 1/10; B60B 1/12

See application file for complete search history.

(56) **References Cited**

U.S. PATENT DOCUMENTS

D392,240 S * 3/1998 Kingsland D12/213

D450,290 S * 11/2001 Schardt D12/213

D453,914 S * 2/2002 Dumigan D12/213

D498,198 S * 11/2004 Buma D12/213

D702,174 S * 4/2014 Gordon D12/213

D724,512 S * 3/2015 Chung D12/207

D748,036 S * 1/2016 Hilpert D12/213

D751,489 S * 3/2016 Chung D12/213

D761,183 S * 7/2016 Bennett B60B 7/04

D12/213

D794,534 S * 8/2017 Chung D12/213

D838,228 S * 1/2019 Chung D12/213

D852,715 S * 7/2019 Ash D12/213

D885,296 S * 5/2020 Hale, Jr. D12/213

D904,965 S * 12/2020 Horlick D12/213

D911,246 S * 2/2021 Lickliter D12/213

OTHER PUBLICATIONS

Examination Report from New Zealand Design Application No.
427172 dated Mar. 12, 2020.

* cited by examiner

Primary Examiner — Stacia A Cadmus

(74) *Attorney, Agent, or Firm* — Calfee, Halter &
Griswold LLP

(57) **CLAIM**

We claim the ornamental design for a wheel hub cap, as
shown and described.

DESCRIPTION

FIG. 1 is a front view of a wheel hub cap, showing our new
design, shown in its position of use;

FIG. 2 is a front perspective view thereof;

FIG. 3 is a front view of the wheel hub cap of FIG. 1 with
the tire removed;

FIG. 4 is a side view of FIG. 3;

FIG. 5 is a front perspective view of FIG. 3;

FIG. 6 is a front view of a second embodiment of a wheel
hub cap, showing our new design, shown in its position of
use;

FIG. 7 is a front perspective view of FIG. 6;

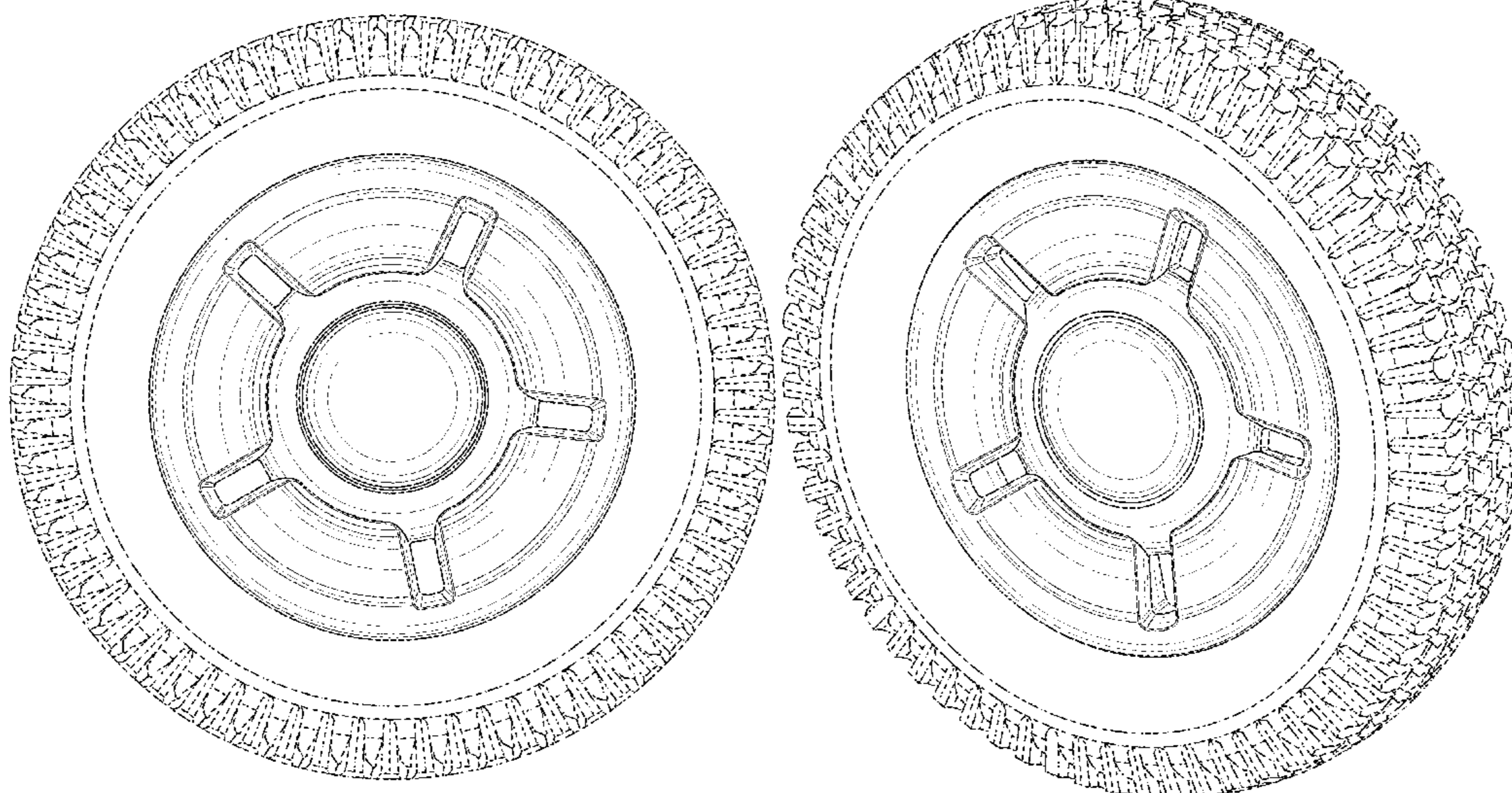
FIG. 8 is a front view of the wheel hub cap of FIG. 6 with
the tire removed;

FIG. 9 is a side view of FIG. 8; and,

FIG. 10 is a front perspective view of FIG. 8.

The broken line showing of the tire in FIGS. 1, 2, 6 and 7
depict environmental subject matter and form no part of the
claimed design. The portions of the wheel hub cap in the
figures shown in lighter lines represent contour.

1 Claim, 10 Drawing Sheets



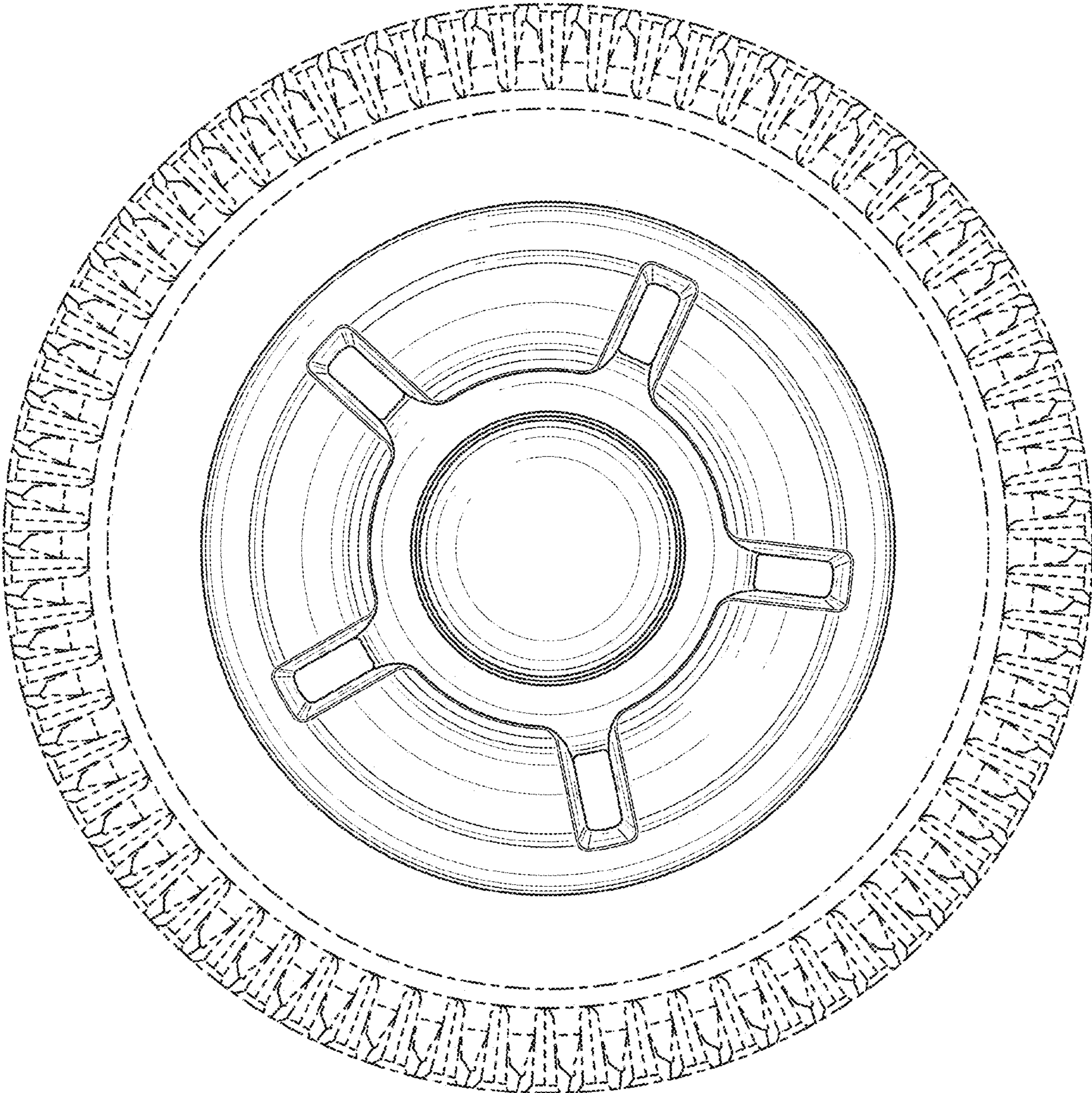


FIG. 1

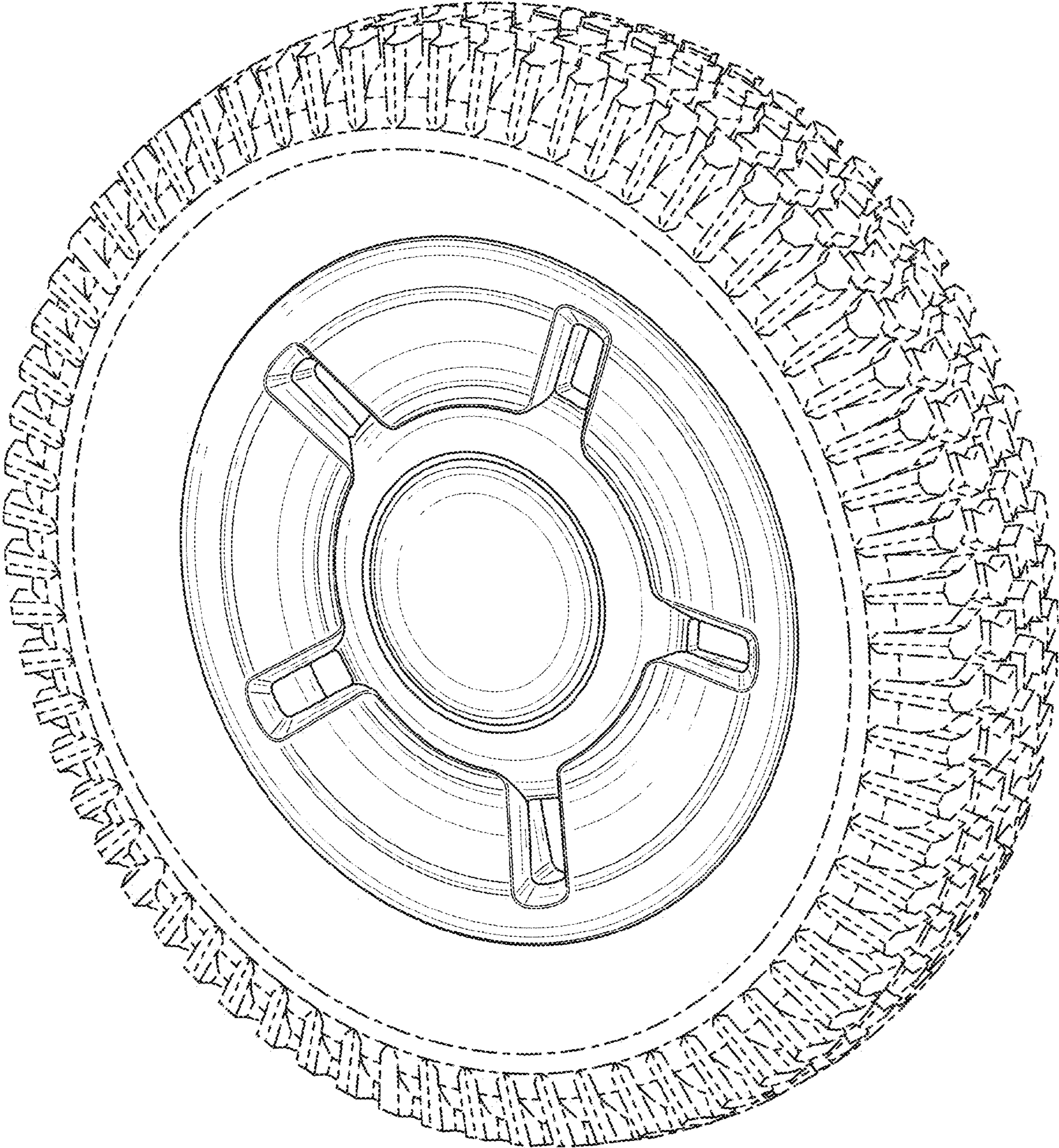


FIG. 2

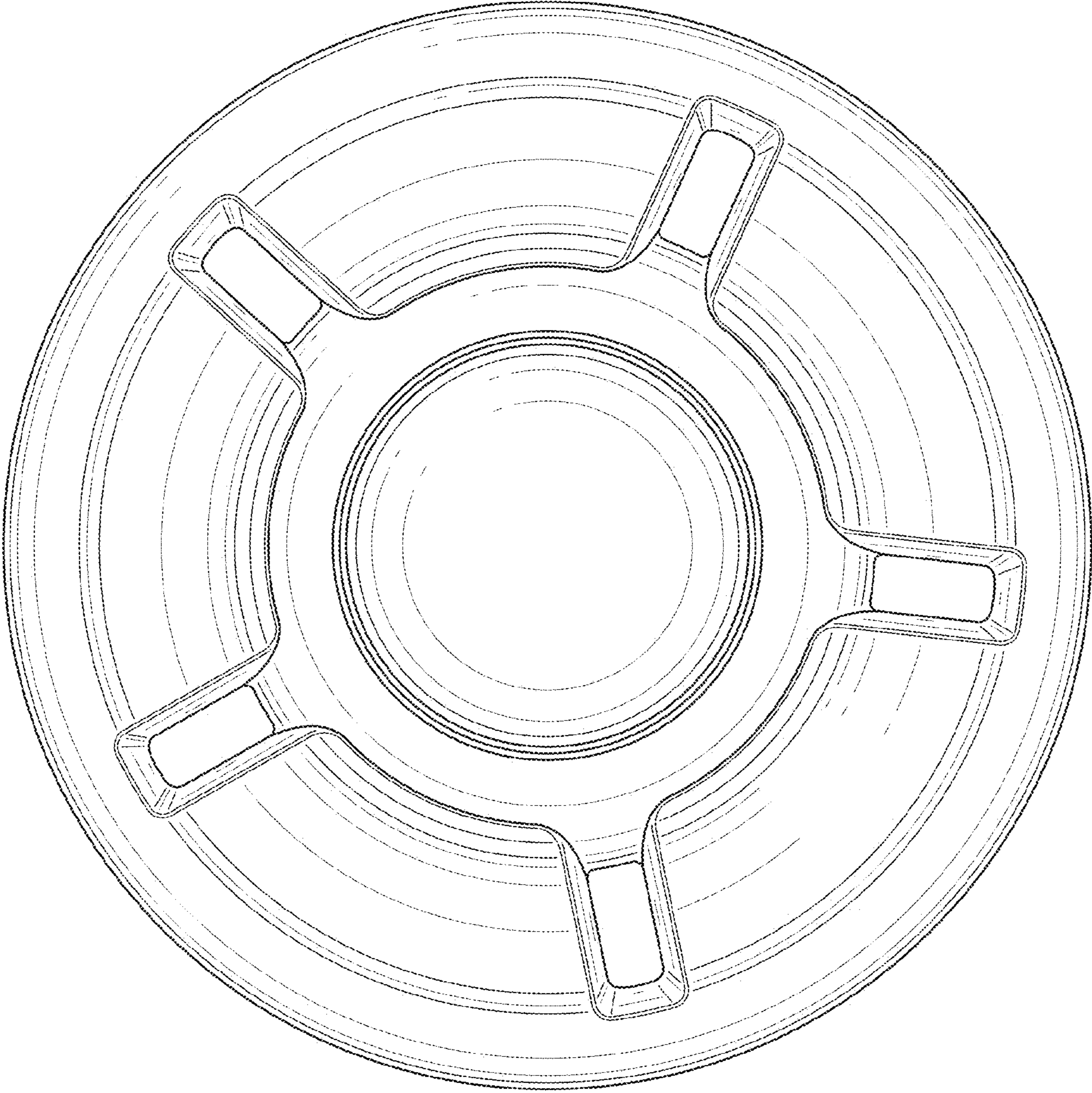


FIG. 3

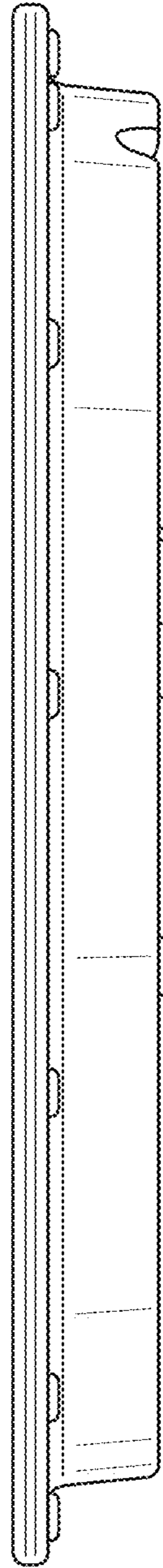


FIG. 4

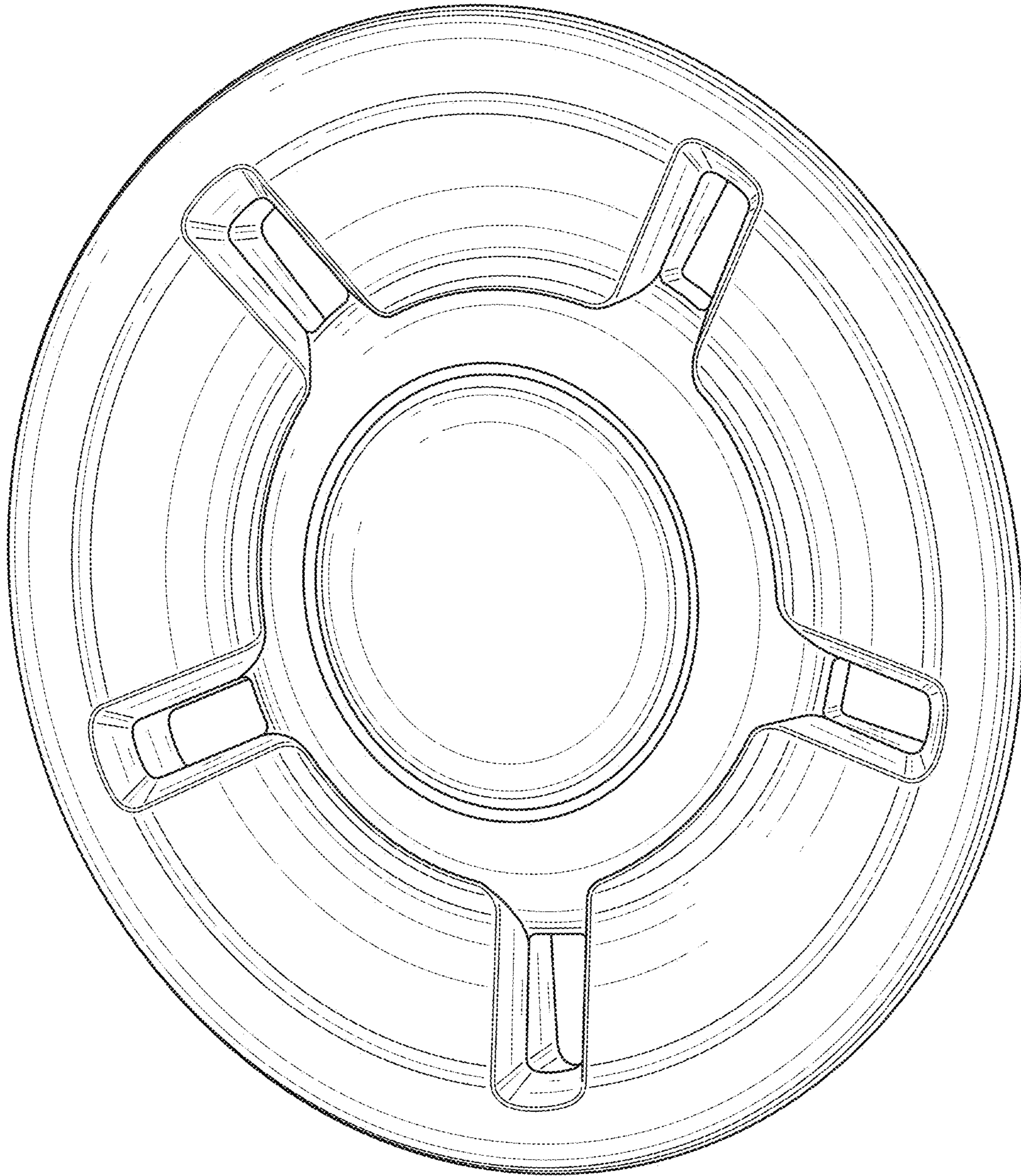


FIG. 5

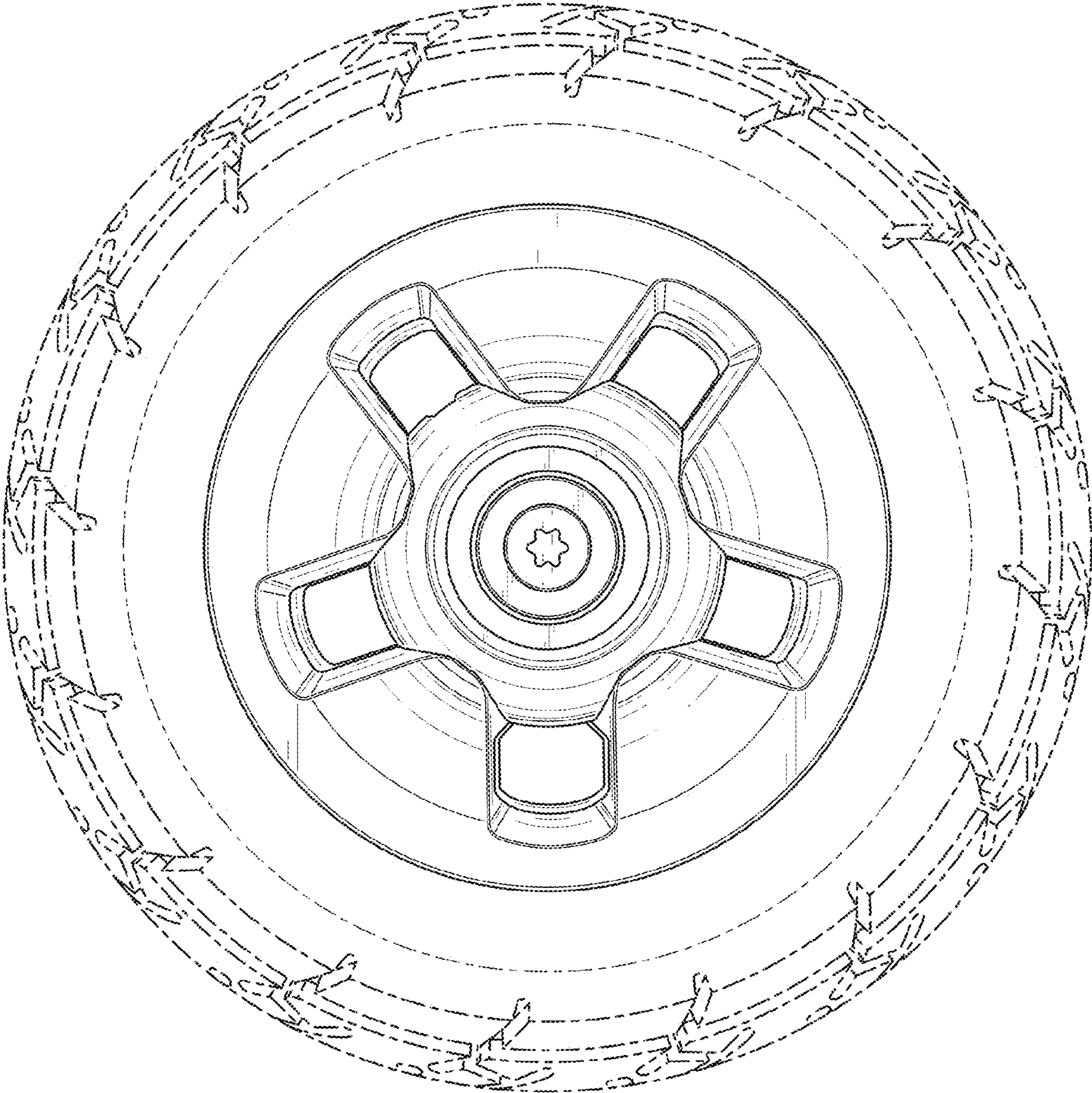


FIG. 6

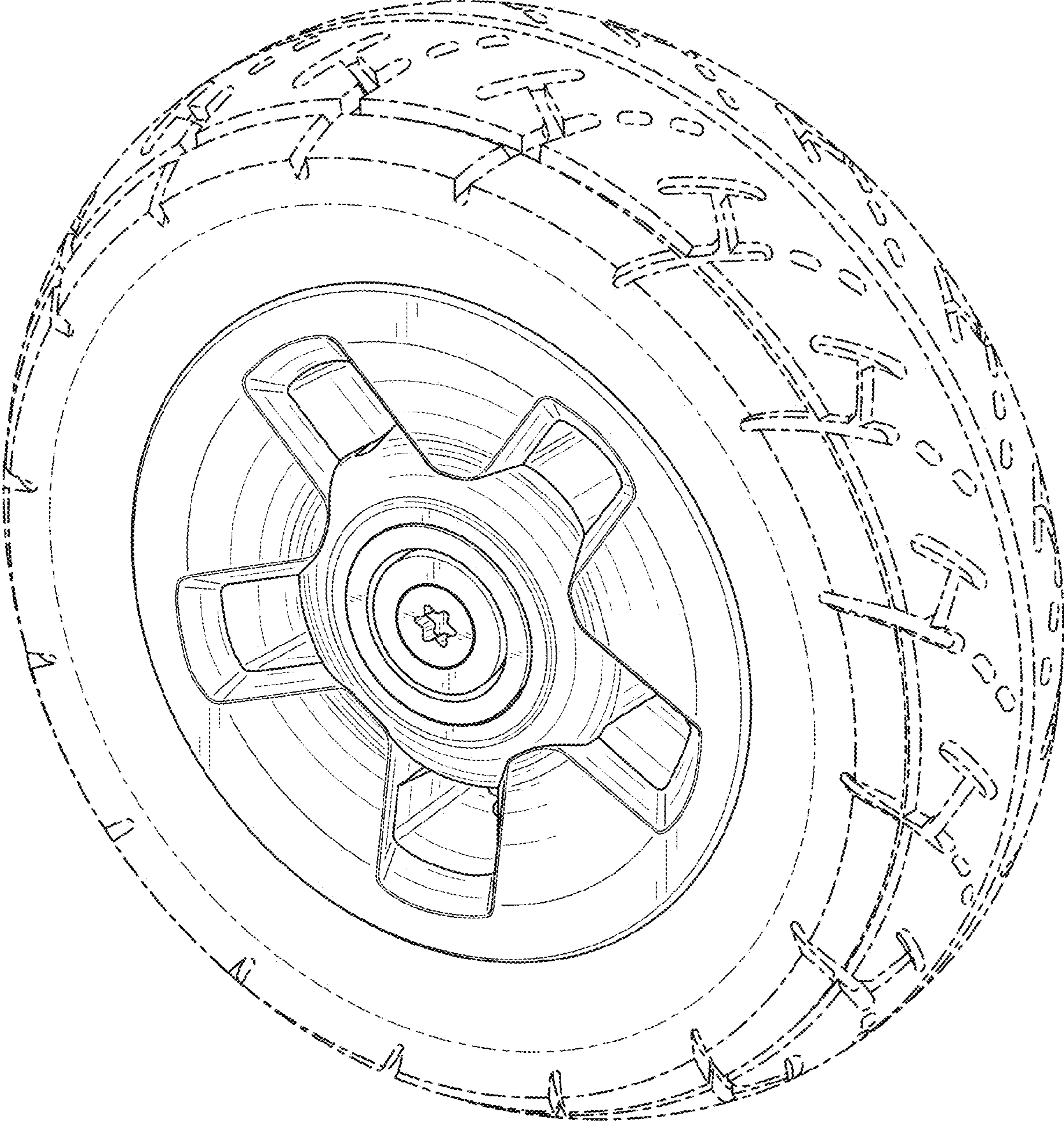


FIG. 7

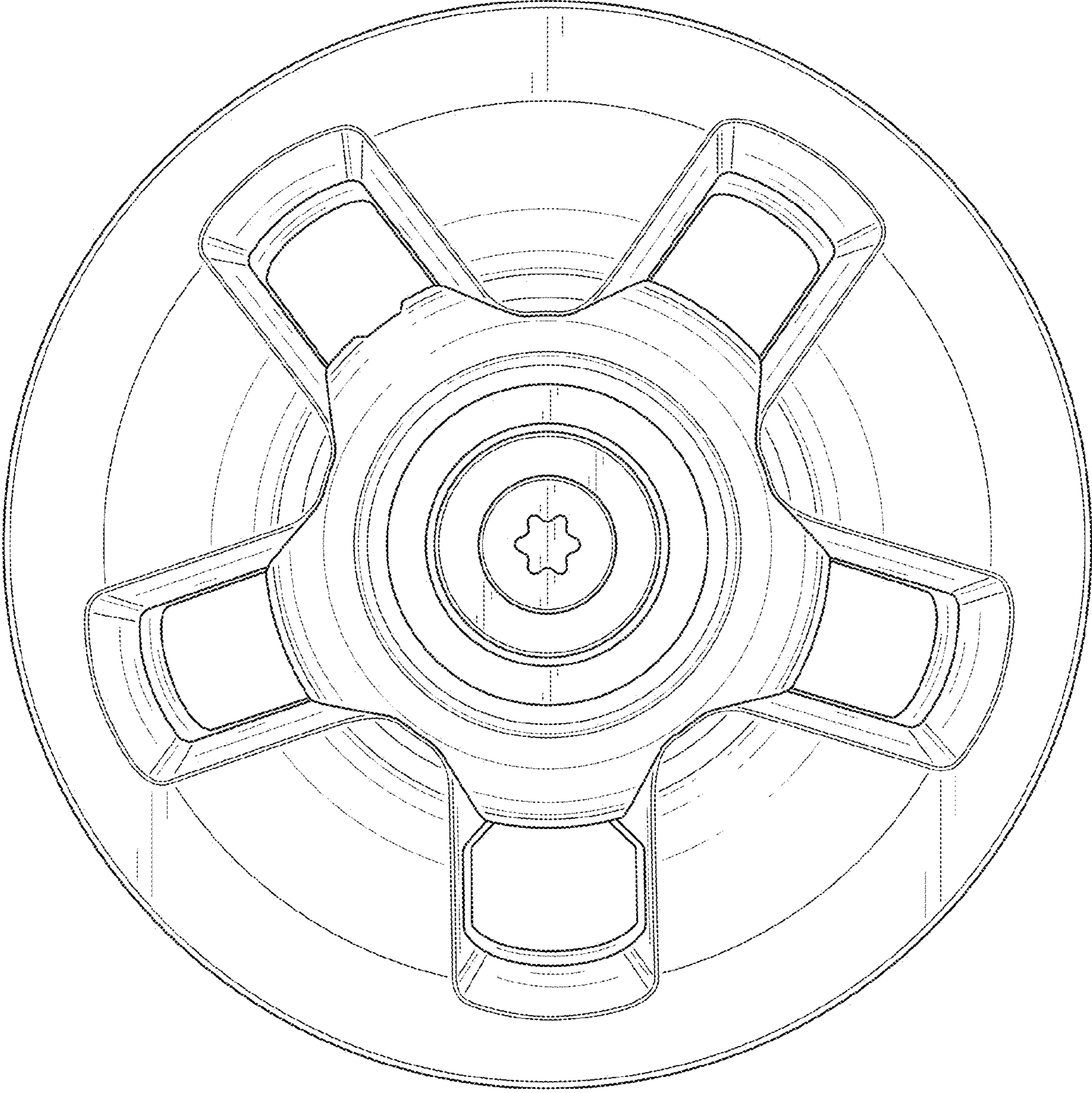


FIG. 8

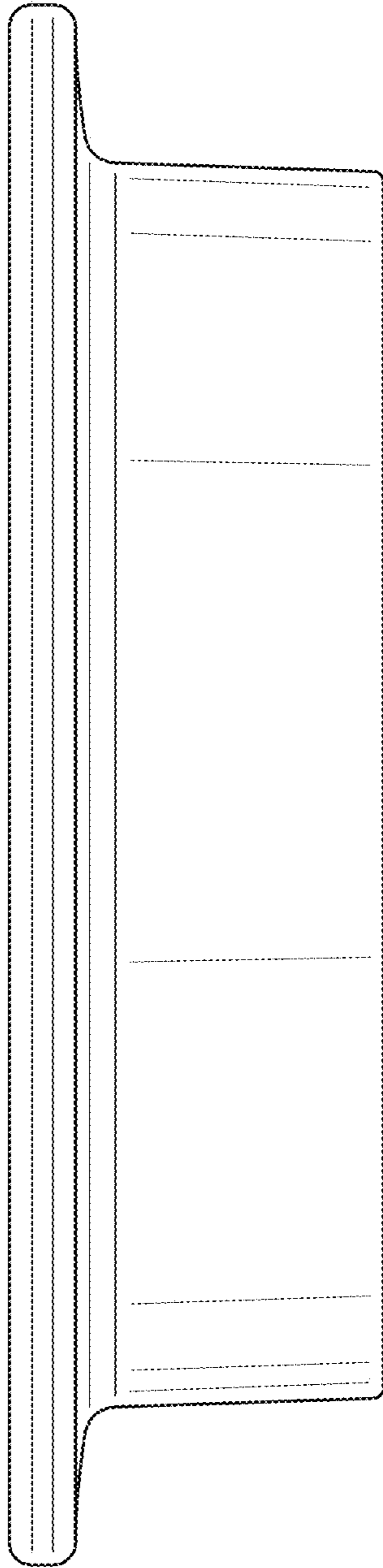


FIG. 9

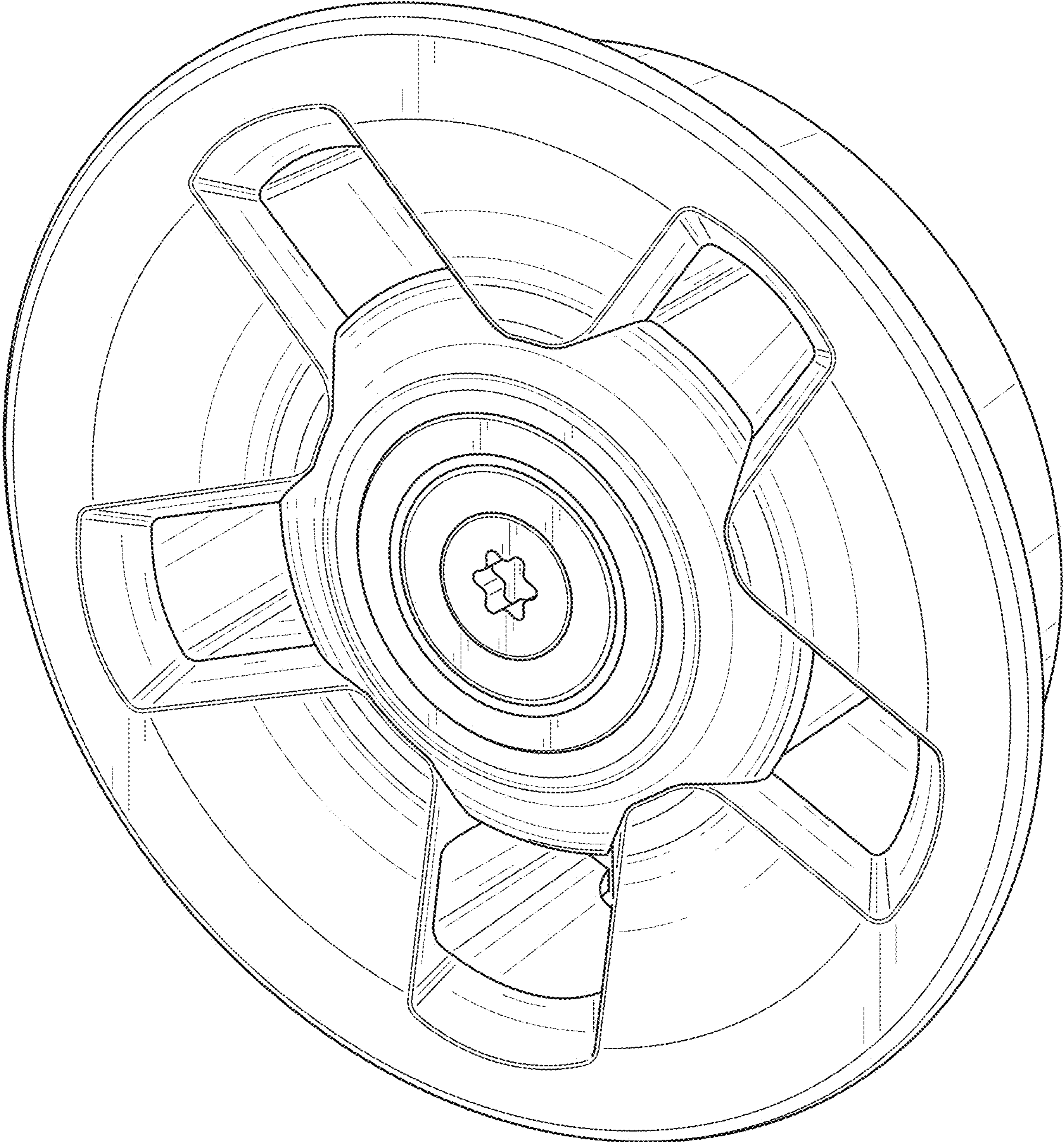


FIG. 10