



US00D948405S

(12) **United States Design Patent**  
**Mukti**

(10) **Patent No.:** **US D948,405 S**

(45) **Date of Patent:** **\*\* Apr. 12, 2022**

(54) **VEHICLE WHEEL**

(71) Applicant: **Quarsa, LLC**, Chino, CA (US)

(72) Inventor: **Ali Mukti**, Surabaya (ID)

(73) Assignee: **Quarsa, LLC**, Chino, CA (US)

(\*\*) Term: **15 Years**

(21) Appl. No.: **29/758,661**

(22) Filed: **Nov. 17, 2020**

(51) **LOC (13) Cl.** ..... **12-16**

(52) **U.S. Cl.**  
USPC ..... **D12/209**

(58) **Field of Classification Search**  
USPC ..... D12/204-213; D21/563  
CPC .... B60B 7/00; B60B 7/02; B60B 7/04; B60B  
7/01; B60B 7/06; B60B 3/02; B60B 3/04;  
B60B 3/06; B60B 3/10; B60B 1/00;  
B60B 1/08; B60B 1/10; B60B 1/12

See application file for complete search history.

(56) **References Cited**

**U.S. PATENT DOCUMENTS**

D792,827 S \* 7/2017 Chung ..... D12/209  
D803,751 S \* 11/2017 Chung ..... D12/209

D817,846 S \* 5/2018 Stone ..... D12/209  
D838,650 S \* 1/2019 Han ..... D12/209  
D842,202 S \* 3/2019 Han ..... D12/209  
D865,617 S \* 11/2019 Hahn ..... D12/209  
D870,010 S \* 12/2019 Hahn ..... D12/209  
D873,757 S \* 1/2020 Buckingham ..... D12/211  
D917,366 S \* 4/2021 Groth ..... D12/209  
D918,114 S \* 5/2021 Scheinhutte ..... D12/209  
D918,117 S \* 5/2021 Ma ..... D12/209  
D932,413 S \* 10/2021 Juergens ..... D12/209  
D932,977 S \* 10/2021 Juergens ..... D12/209  
D934,145 S \* 10/2021 Chung ..... D12/209

\* cited by examiner

*Primary Examiner* — Stacia A Cadmus

(74) *Attorney, Agent, or Firm* — Snell & Wilmer L.L.P.

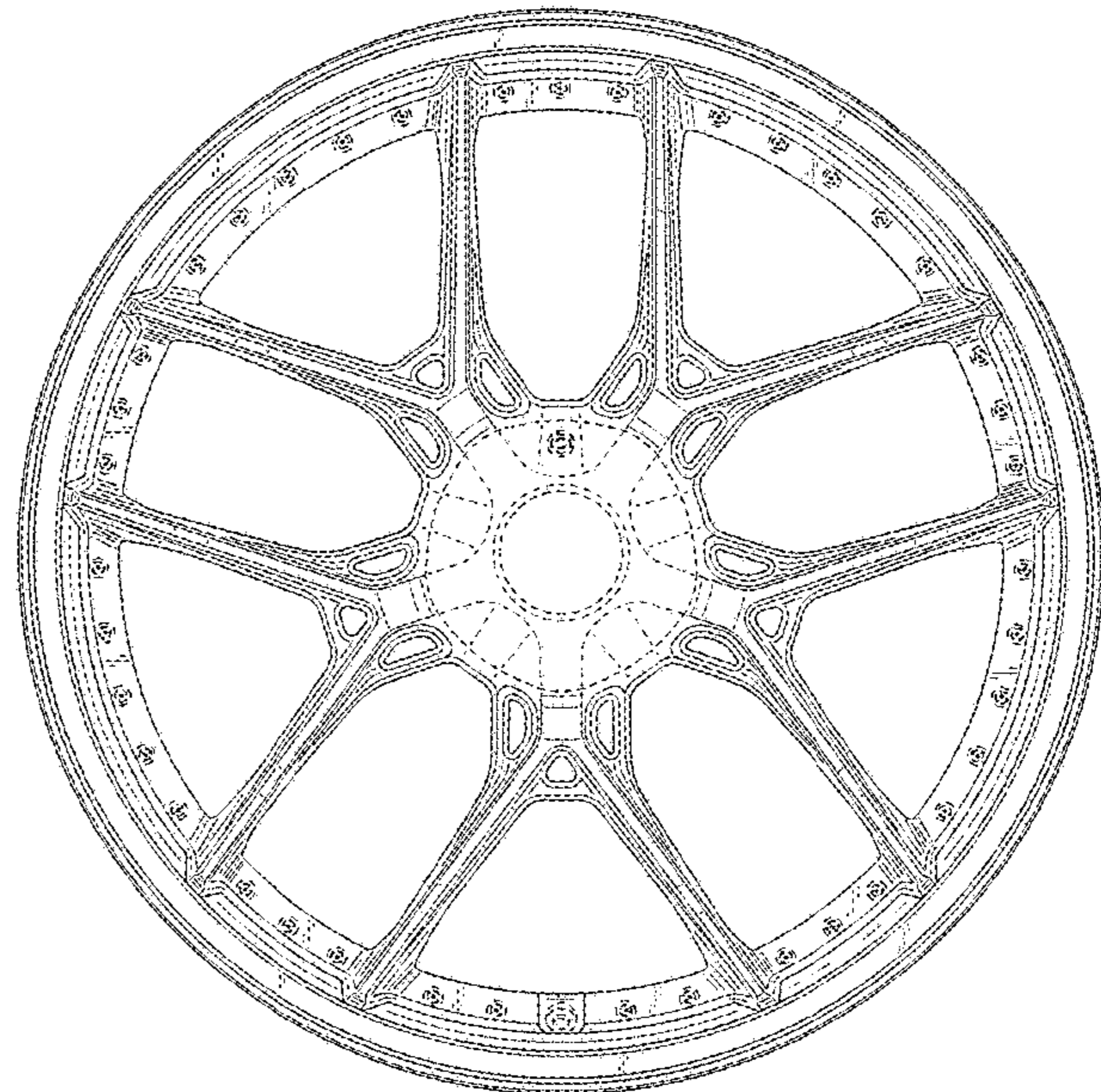
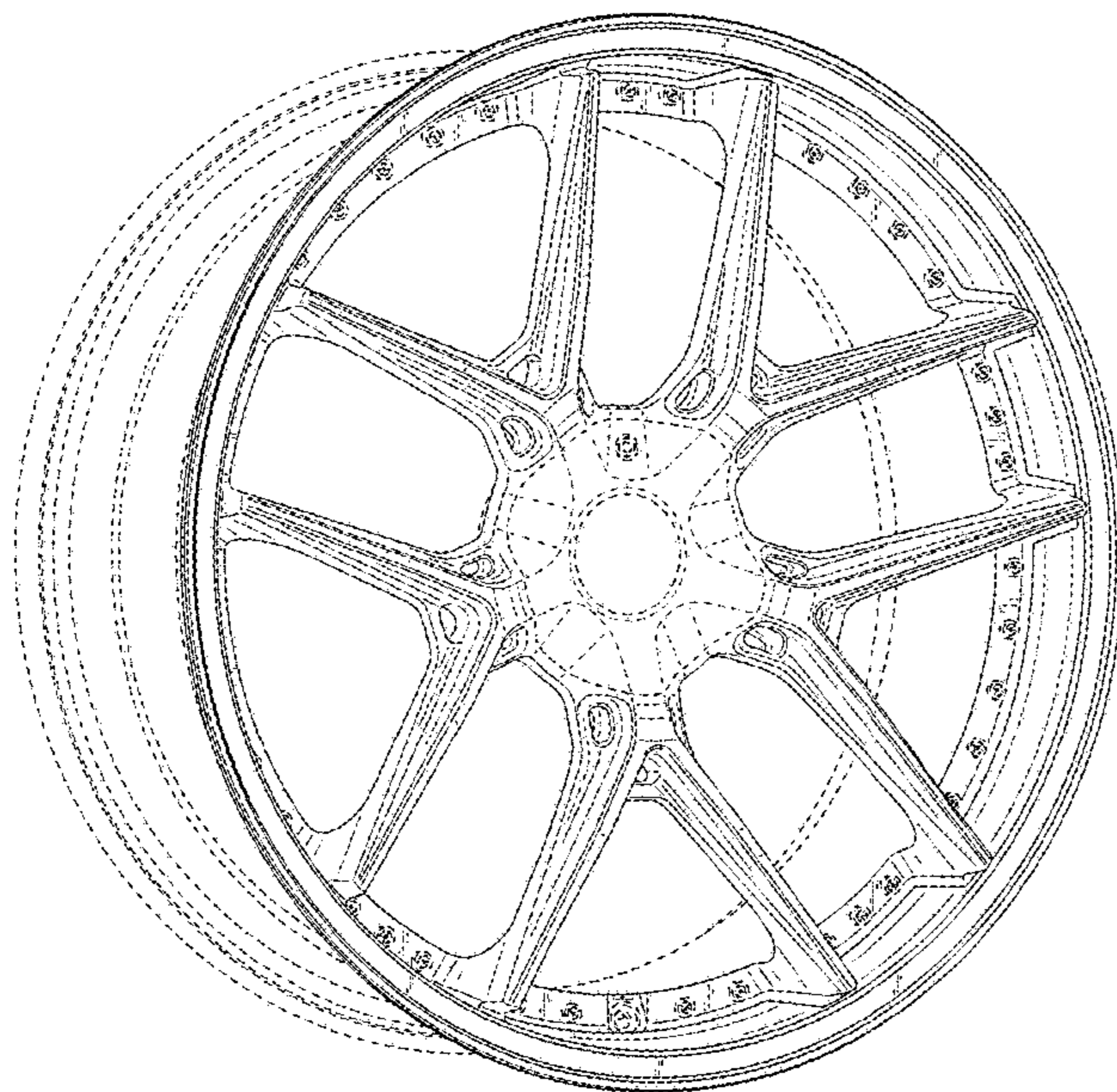
(57) **CLAIM**

I claim the ornamental design for a vehicle wheel, as shown and described.

**DESCRIPTION**

FIG. 1 is a top perspective view of the vehicle wheel showing my new design; and, FIG. 2 is a front view of the vehicle wheel of FIG. 1. In the drawings the broken lines depict portions of the wheel that form no part of the claimed design.

**1 Claim, 2 Drawing Sheets**



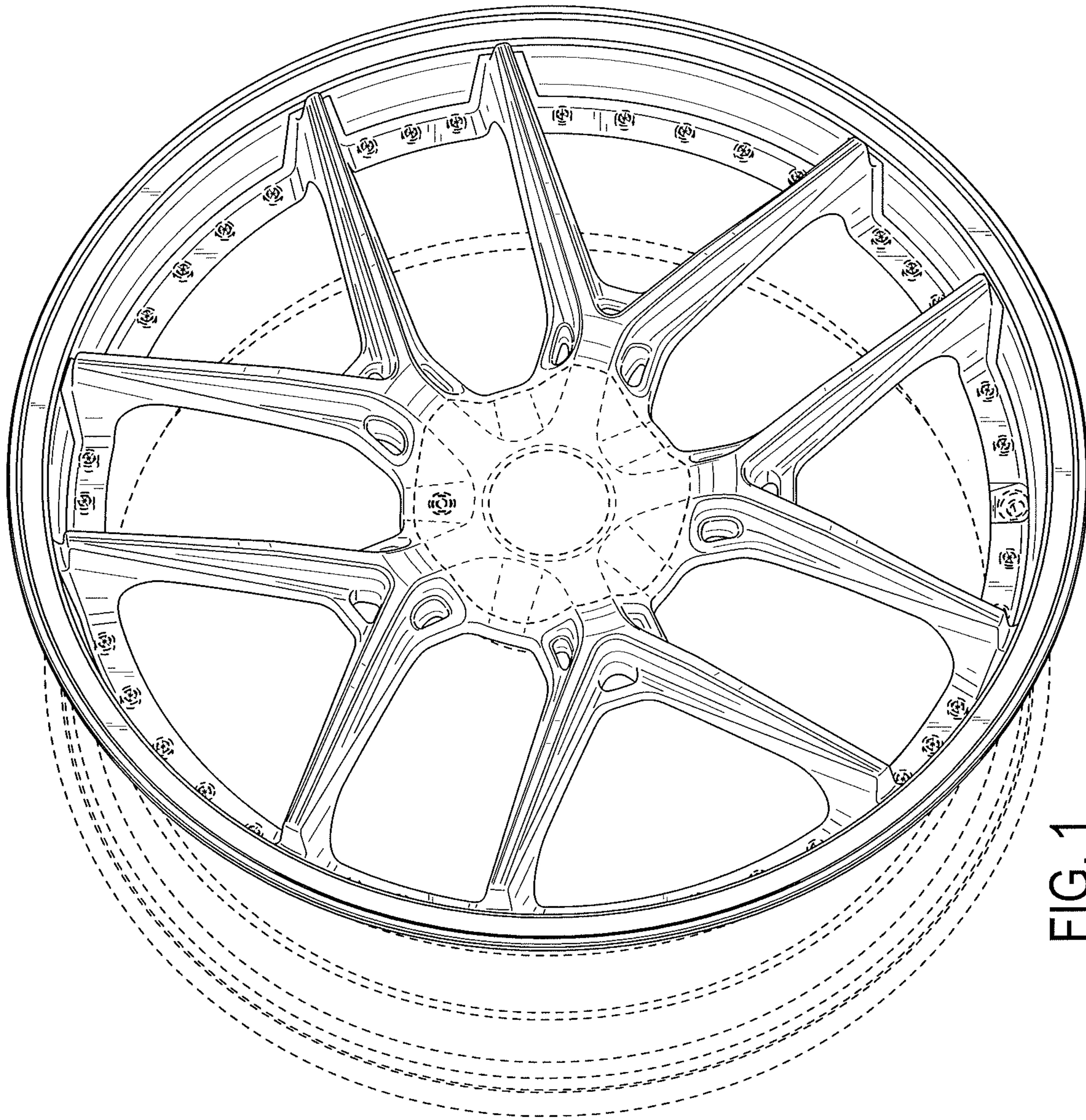


FIG. 1

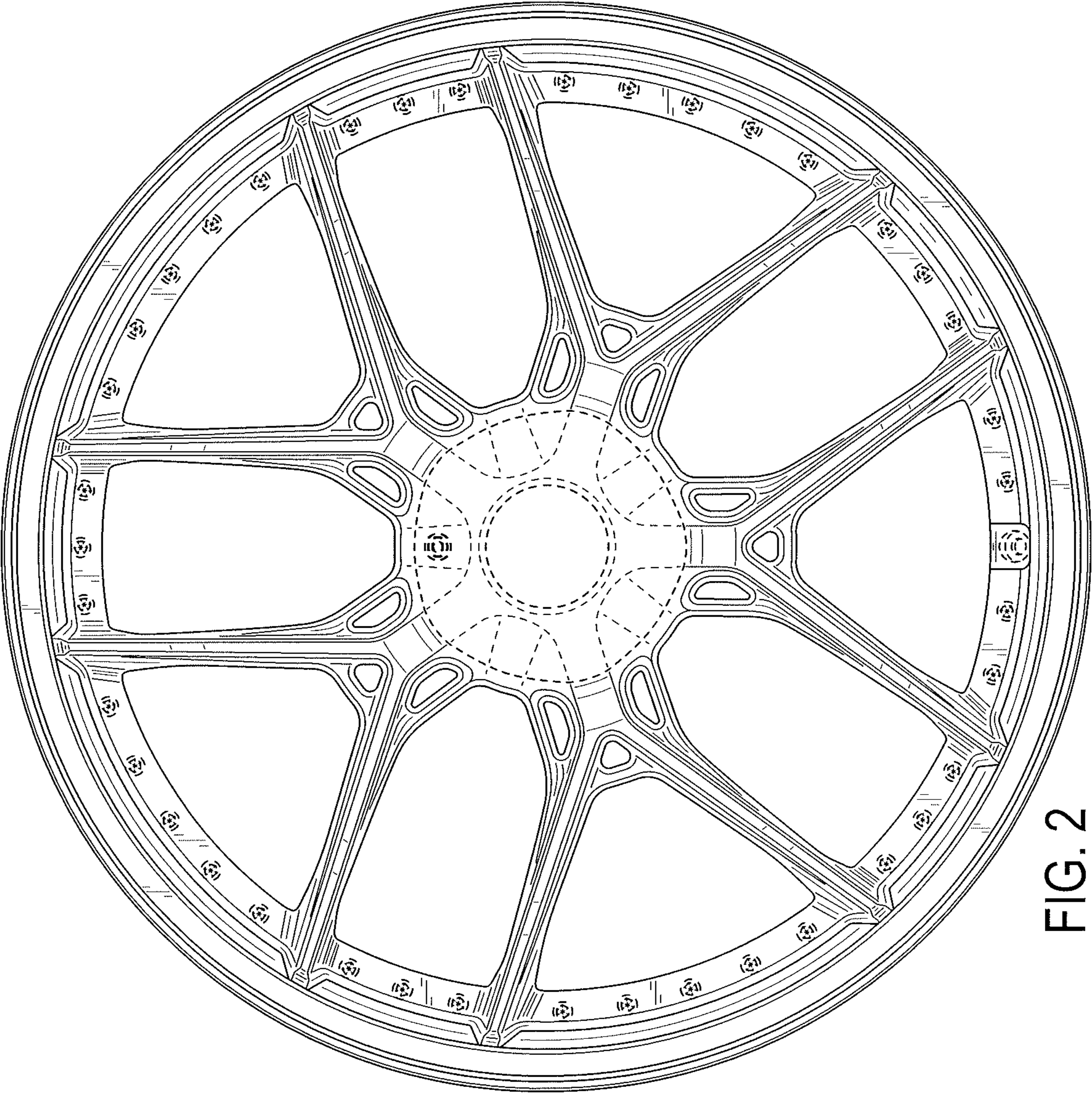


FIG. 2