



US00D948402S

(12) **United States Design Patent**
Bayatyan

(10) **Patent No.:** **US D948,402 S**

(45) **Date of Patent:** **** Apr. 12, 2022**

- (54) **CAR DIVIDER SHIELD**
- (71) Applicant: **Garnik Bayatyan**, Sun Valley, CA (US)
- (72) Inventor: **Garnik Bayatyan**, Sun Valley, CA (US)
- (73) Assignee: **Axiom Print Incorporated**, Glendale, CA (US)
- (**) Term: **15 Years**
- (21) Appl. No.: **29/652,579**
- (22) Filed: **Sep. 24, 2020**
- (51) **LOC (13) Cl.** **12-16**
- (52) **U.S. Cl.**
USPC **D12/195**
- (58) **Field of Classification Search**
USPC D12/192, 181, 415, 195, 317, 196, 400,
D12/404, 221, 98, 426, 193, 190
CPC B60H 1/00592; B60N 2/3013; B60N 2/91;
B60R 21/12; B60R 21/026
See application file for complete search history.

D314,934 S	2/1991	Howes	
5,238,282 A *	8/1993	Watson	B60H 1/00592 296/24.41
7,322,626 B2 *	1/2008	Thomas	B60R 21/12 296/24.3
D567,742 S	4/2008	Spater et al.	
D628,140 S	11/2010	Morande, Sr.	
D796,422 S *	9/2017	Hodges	D12/426
D821,955 S *	7/2018	Dexter	D12/221
D876,301 S *	2/2020	Setina	D12/190
10,640,069 B2 *	5/2020	Gardner	B60R 21/12
11,027,673 B1 *	6/2021	Abdelrahman	B60N 2/91
2003/0141731 A1 *	7/2003	Betts	B60N 2/3013 296/24.43
2013/0113232 A1 *	5/2013	Sage	B60R 21/12 296/24.46

* cited by examiner

Primary Examiner — Susan E Krakower
Assistant Examiner — Jerry Shiuan-Hua Hsu
 (74) *Attorney, Agent, or Firm* — Dunlap Bennett & Ludwig, PLLC; Anna L. Kinney

(56) **References Cited**

U.S. PATENT DOCUMENTS

D215,051 S *	8/1969	Feth	D12/195
3,667,801 A *	6/1972	Setina	B60R 21/12 296/24.46
4,015,875 A *	4/1977	Setina	B60R 21/12 296/24.46
4,035,014 A *	7/1977	Sellers	B60R 21/12 296/24.46
D246,304 S	11/1977	Horn	
4,173,369 A *	11/1979	Roggin	B60R 21/12 296/24.46
D253,765 S *	12/1979	Roggin	D12/195
4,621,856 A *	11/1986	McKenzie	B60R 21/026 280/749

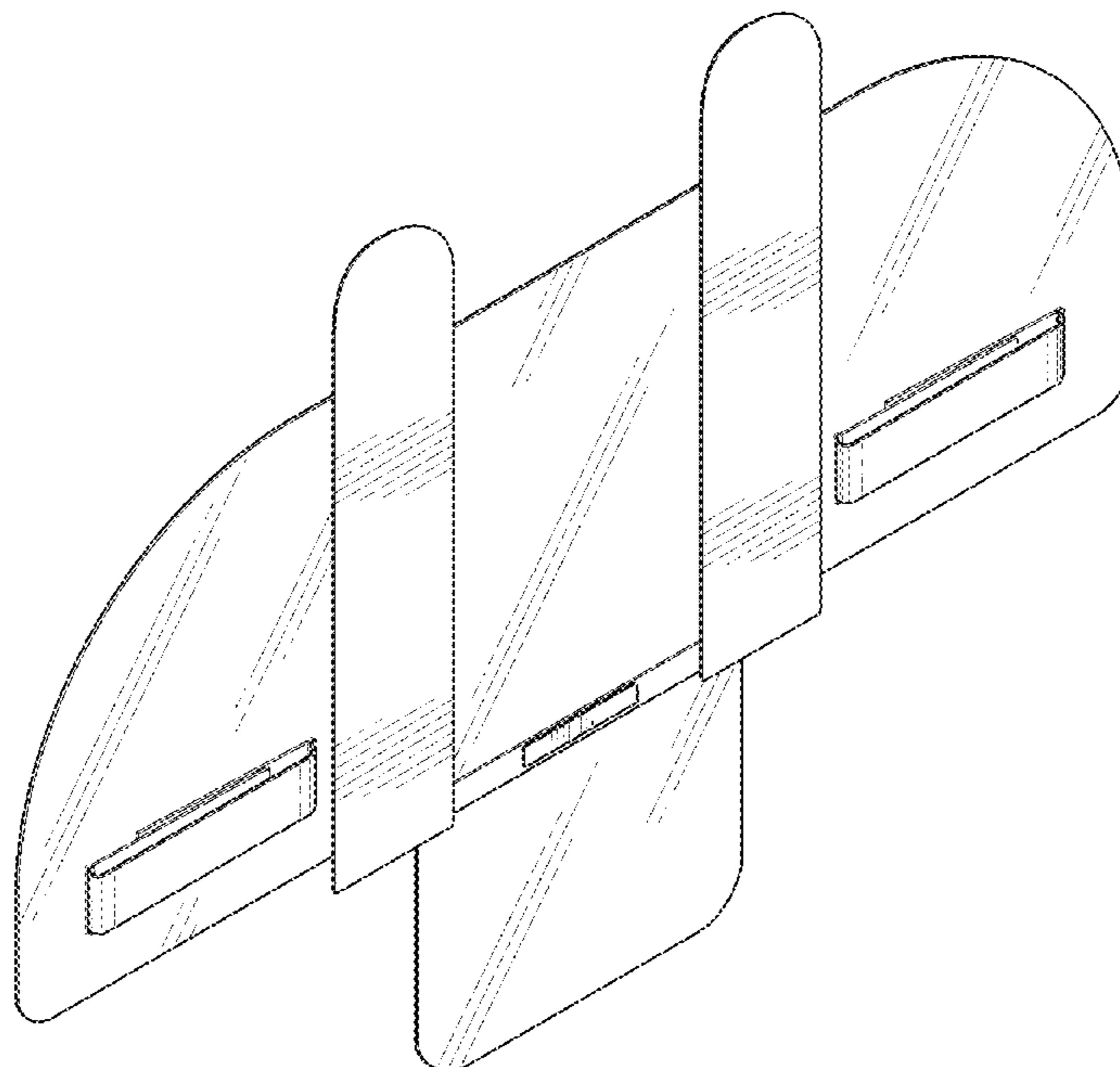
(57) **CLAIM**

The ornamental design for a car divider shield, as shown and described.

DESCRIPTION

FIG. 1 is a perspective view of a car divider shield showing my new design;
 FIG. 2 is a front elevation view thereof;
 FIG. 3 is a rear elevation view thereof;
 FIG. 4 is a right side elevation view thereof;
 FIG. 5 is a left side elevation view thereof;
 FIG. 6 is a top plan view thereof; and,
 FIG. 7 is a bottom plan view thereof.

1 Claim, 5 Drawing Sheets



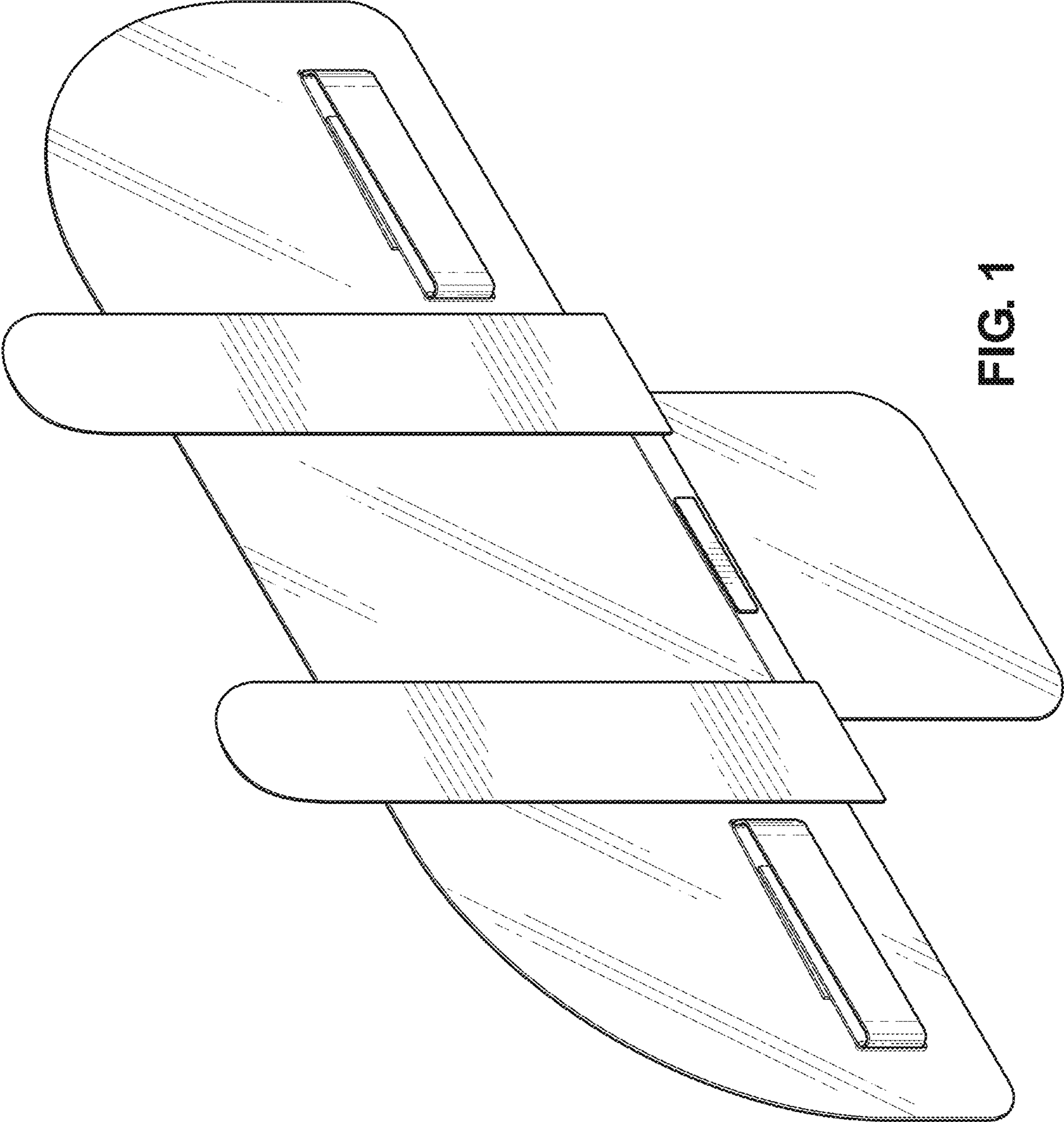


FIG. 1

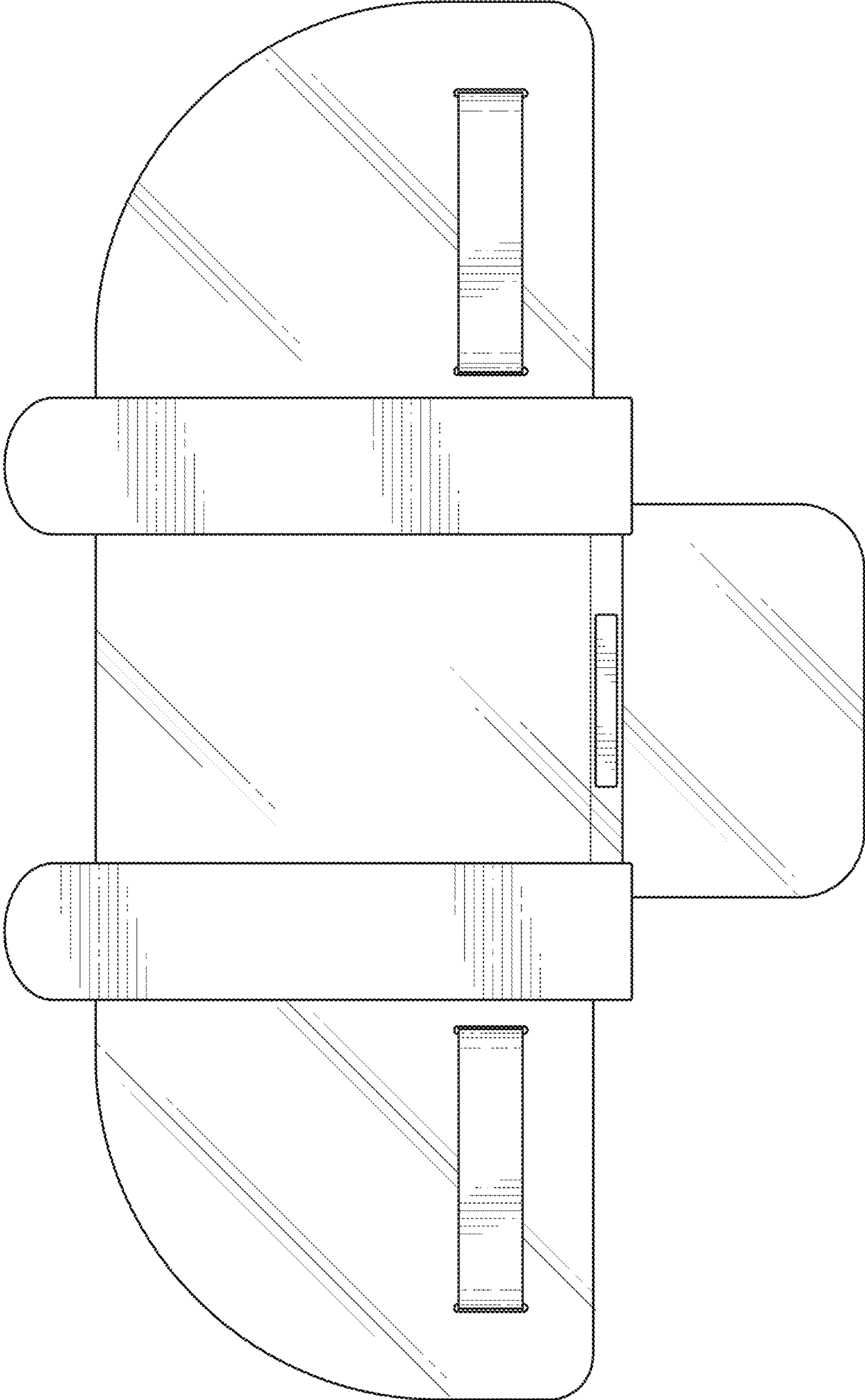


FIG. 2

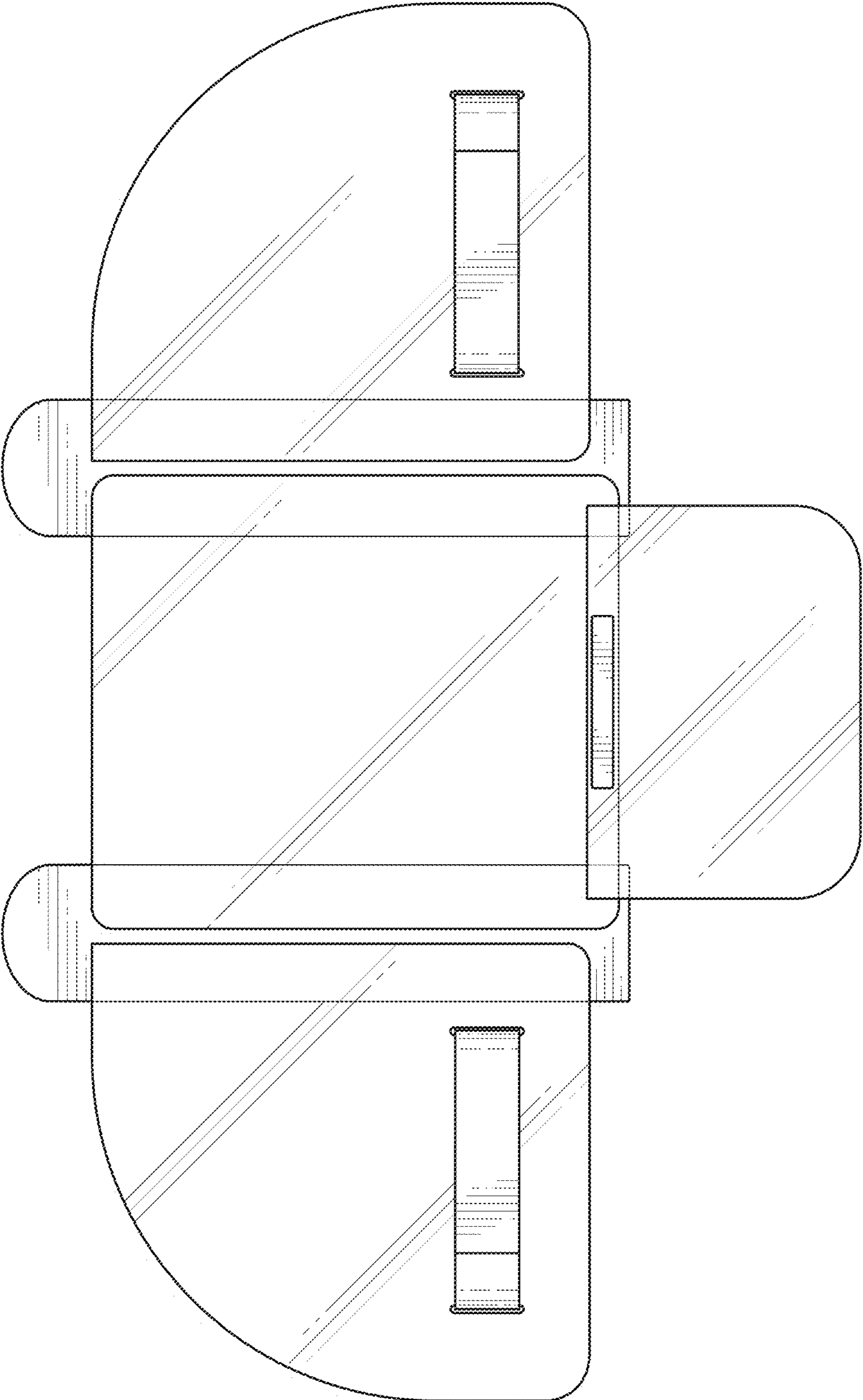


FIG. 3

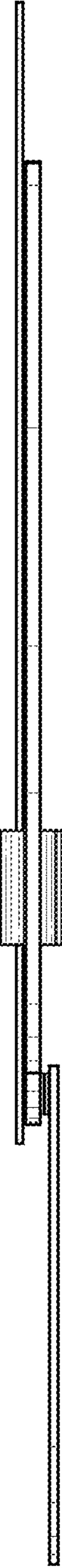


FIG. 4

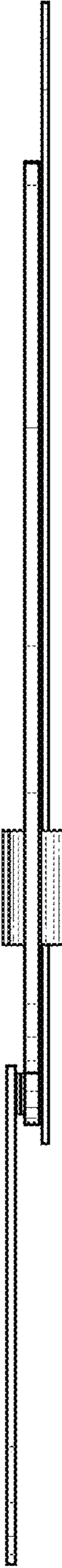


FIG. 5



FIG. 6



FIG. 7