



US00D948401S

(12) **United States Design Patent**  
**Stewart**

(10) **Patent No.:** **US D948,401 S**

(45) **Date of Patent:** **\*\* Apr. 12, 2022**

- (54) **MUFFLER**
- (71) Applicant: **James Stewart**, Platte City, MO (US)
- (72) Inventor: **James Stewart**, Platte City, MO (US)
- (\*\*) Term: **15 Years**
- (21) Appl. No.: **29/692,254**
- (22) Filed: **May 23, 2019**
- (51) **LOC (13) Cl.** ..... **12-16**
- (52) **U.S. Cl.**  
USPC ..... **D12/194**
- (58) **Field of Classification Search**  
USPC ..... D15/1-6, 25; D12/194; D23/205, 209,  
D23/323, 330  
CPC ..... F01N 13/1888; F01N 13/1861; F01N  
13/1866; F01N 13/082; F01N 13/1805;  
F01N 13/20  
See application file for complete search history.

- 5,859,394 A \* 1/1999 Seehaus ..... F01N 13/1872  
181/282
- 6,135,237 A \* 10/2000 Allman ..... F01N 1/02  
181/227
- D452,694 S \* 1/2002 Irie ..... D12/194
- 6,415,889 B1 \* 7/2002 Wyatt ..... F01N 1/006  
181/227
- D492,634 S \* 7/2004 Butterfield ..... D12/194
- D534,185 S \* 12/2006 Chan ..... D15/5
- D637,207 S \* 5/2011 Alberti ..... D15/5
- 2010/0270103 A1 \* 10/2010 Huff ..... F01N 1/02  
181/266
- 2010/0307865 A1 \* 12/2010 Olsen ..... F01N 13/1872  
181/272
- 2014/0166393 A1 \* 6/2014 Butler ..... F01N 13/1805  
181/228

\* cited by examiner

*Primary Examiner* — Ania Aman

(74) *Attorney, Agent, or Firm* — Arthur K. Shaffer;  
McDowell Rice Smith & Buchanan, PC

(57) **CLAIM**

The ornamental design for a muffler, as shown and described herein.

(56) **References Cited**

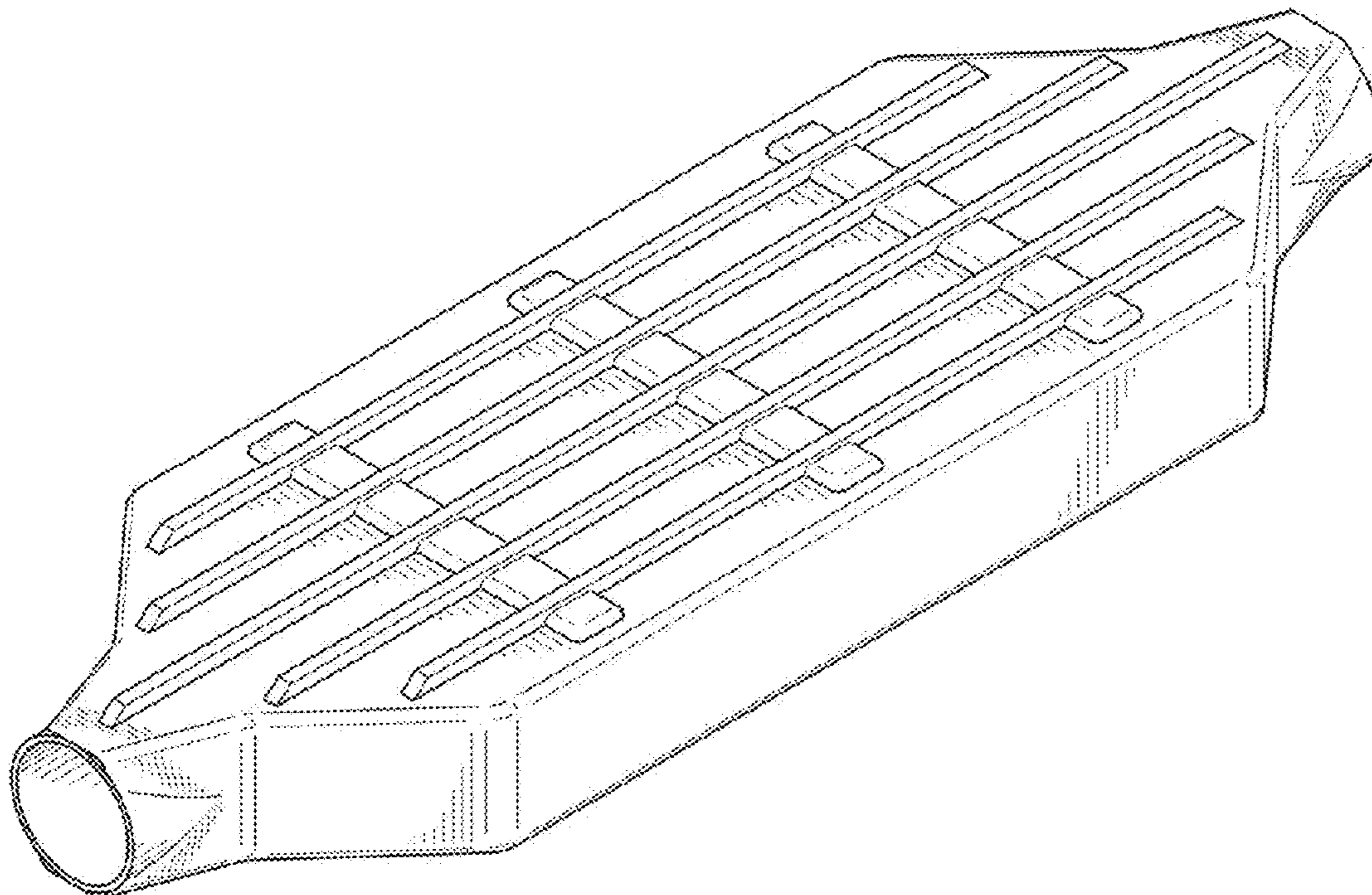
U.S. PATENT DOCUMENTS

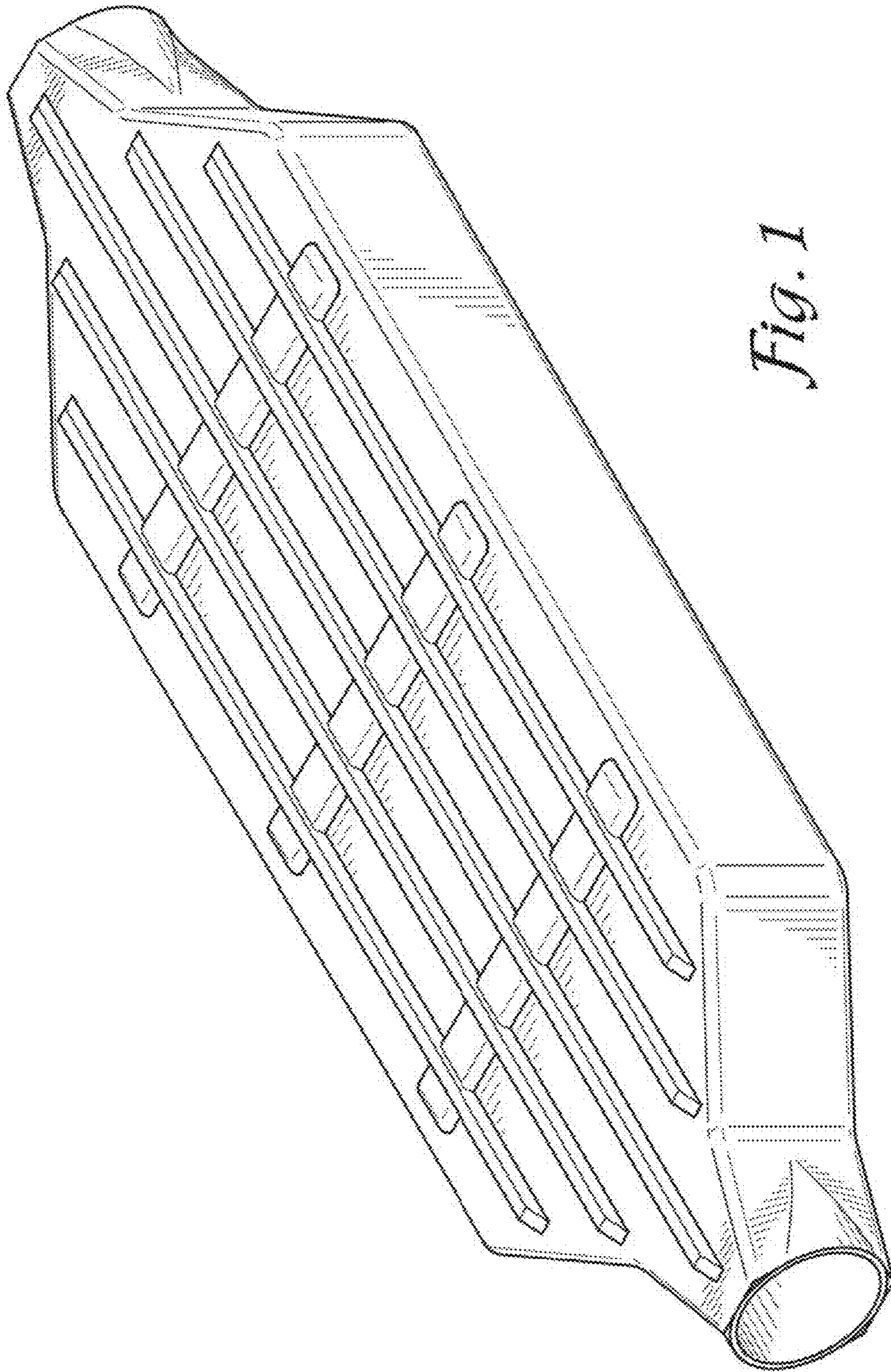
- D165,057 S \* 11/1951 Deremer ..... D12/194
- D179,611 S \* 1/1957 Powers ..... D12/194
- 3,147,097 A \* 9/1964 Aguas ..... F01N 3/0226  
96/383
- 5,216,809 A \* 6/1993 Abbott ..... F01N 1/02  
29/506
- 5,229,557 A \* 7/1993 Allman ..... F01N 1/02  
181/272
- 5,252,788 A \* 10/1993 Emrick ..... F01N 13/1872  
181/282
- 5,597,986 A \* 1/1997 Harwood ..... F01N 1/02  
181/272

**DESCRIPTION**

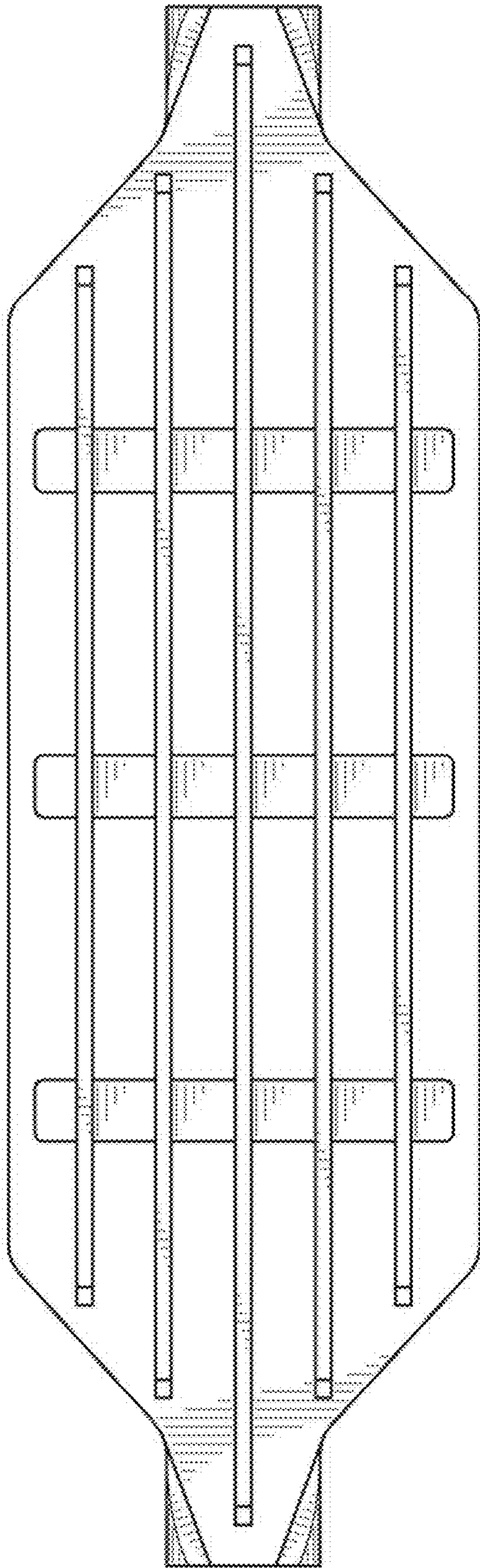
FIG. 1 is a side perspective view of a muffler in accordance with the present invention;  
FIG. 2 is a bottom plan view of the invention according to FIG. 1; the top plan view being a mirror image thereof;  
FIG. 3 is a left side elevation, the right side being a mirror image thereof; and,  
FIG. 4 is a rear elevation, the front being a mirror image thereof.

**1 Claim, 3 Drawing Sheets**

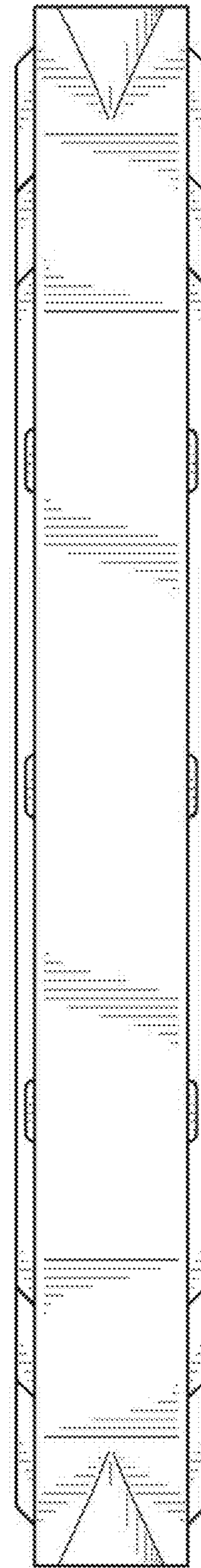




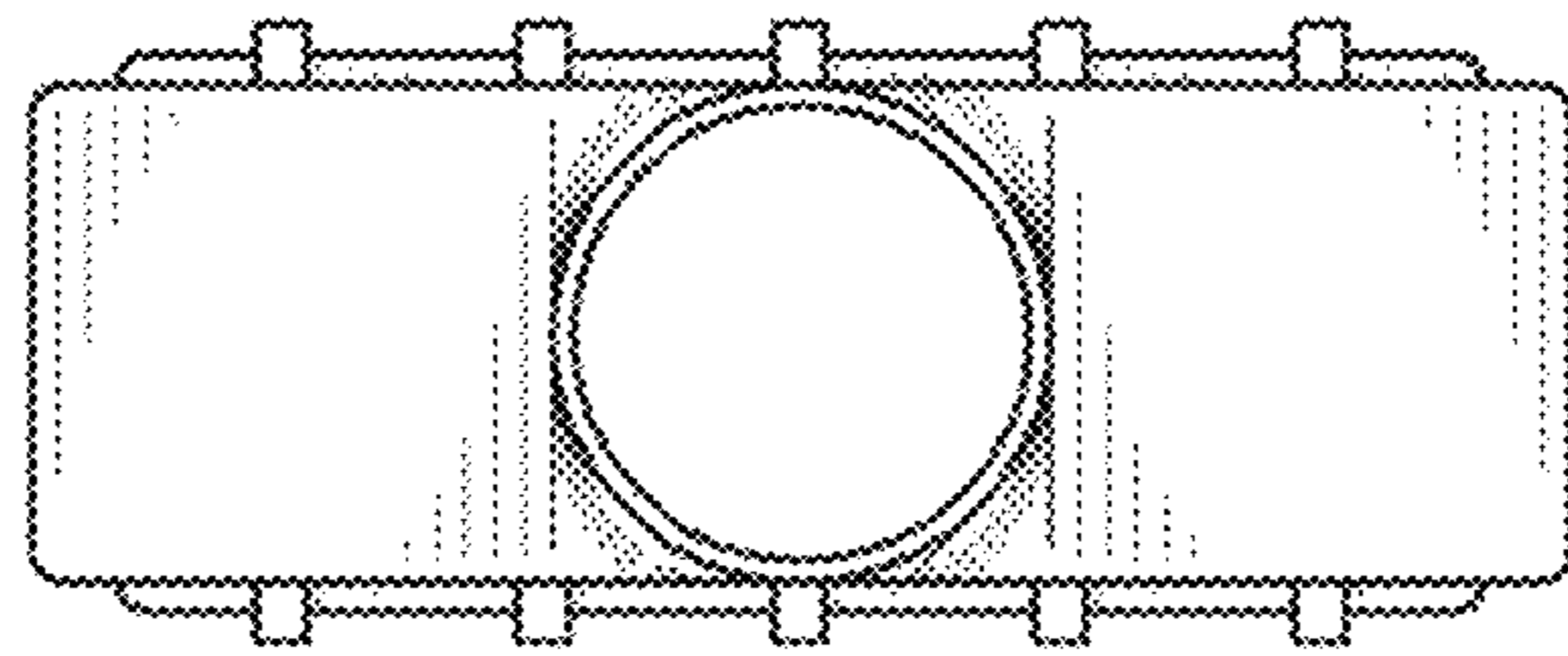
*Fig. 1*



*Fig. 2*



*Fig. 3*



*Fig. 4*