



US00D948400S

(12) **United States Design Patent** (10) **Patent No.:** **US D948,400 S**
Marksteiner (45) **Date of Patent:** **** Apr. 12, 2022**

(54) **LICENSE PLATE FRAME AND HOLDER**

(71) Applicant: **EVAMATIC
HANDELSGESELLSCHAFT MBH,**
Bruck A.D. Leitha (AT)

(72) Inventor: **Thomas Marksteiner, Berg (AT)**

(73) Assignee: **Evamatic Handelsgesellschaft mbh,**
Bruck A.D. Leitha (AT)

(**) Term: **15 Years**

(21) Appl. No.: **29/688,279**

(22) Filed: **Apr. 19, 2019**

Related U.S. Application Data

(62) Division of application No. 29/583,259, filed on Nov. 3, 2016, now Pat. No. Des. 872,666.

(51) **LOC (13) Cl.** **12-16**

(52) **U.S. Cl.**
USPC **D12/193**

(58) **Field of Classification Search**
USPC D12/193; D6/300, 301, 302, 310, 311,
D6/312, 313, 314; D20/13
CPC B60R 13/10; B60R 13/105; B60R 19/24;
B60R 19/52
See application file for complete search history.

(56) **References Cited**

U.S. PATENT DOCUMENTS

D233,327 S * 10/1974 Barber D12/193
D285,784 S * 9/1986 Langensiepen D12/193

D359,262 S * 6/1995 Shusterman D12/193
D360,479 S * 7/1995 Howard D12/193
D367,459 S * 2/1996 Spencer D12/193
D368,693 S * 4/1996 Spencer D12/193
D377,777 S * 2/1997 Kheyfets D12/193
D408,341 S * 4/1999 Spencer D12/193
D413,847 S * 9/1999 Hartmann D12/193
D416,527 S * 11/1999 Steinhagen D12/193
D437,816 S * 2/2001 Hussaini D12/193
D488,753 S * 4/2004 Spencer D12/193
D578,049 S * 10/2008 Son D12/193
D590,311 S * 4/2009 Pacleb D12/193
D734,228 S * 7/2015 Masanek, Jr. D12/193
D739,800 S * 9/2015 Spencer D12/193

* cited by examiner

Primary Examiner — Natasha Vujcic

(74) *Attorney, Agent, or Firm* — Laurence A. Greenberg;
Werner H. Stemer; Ralph E. Locher

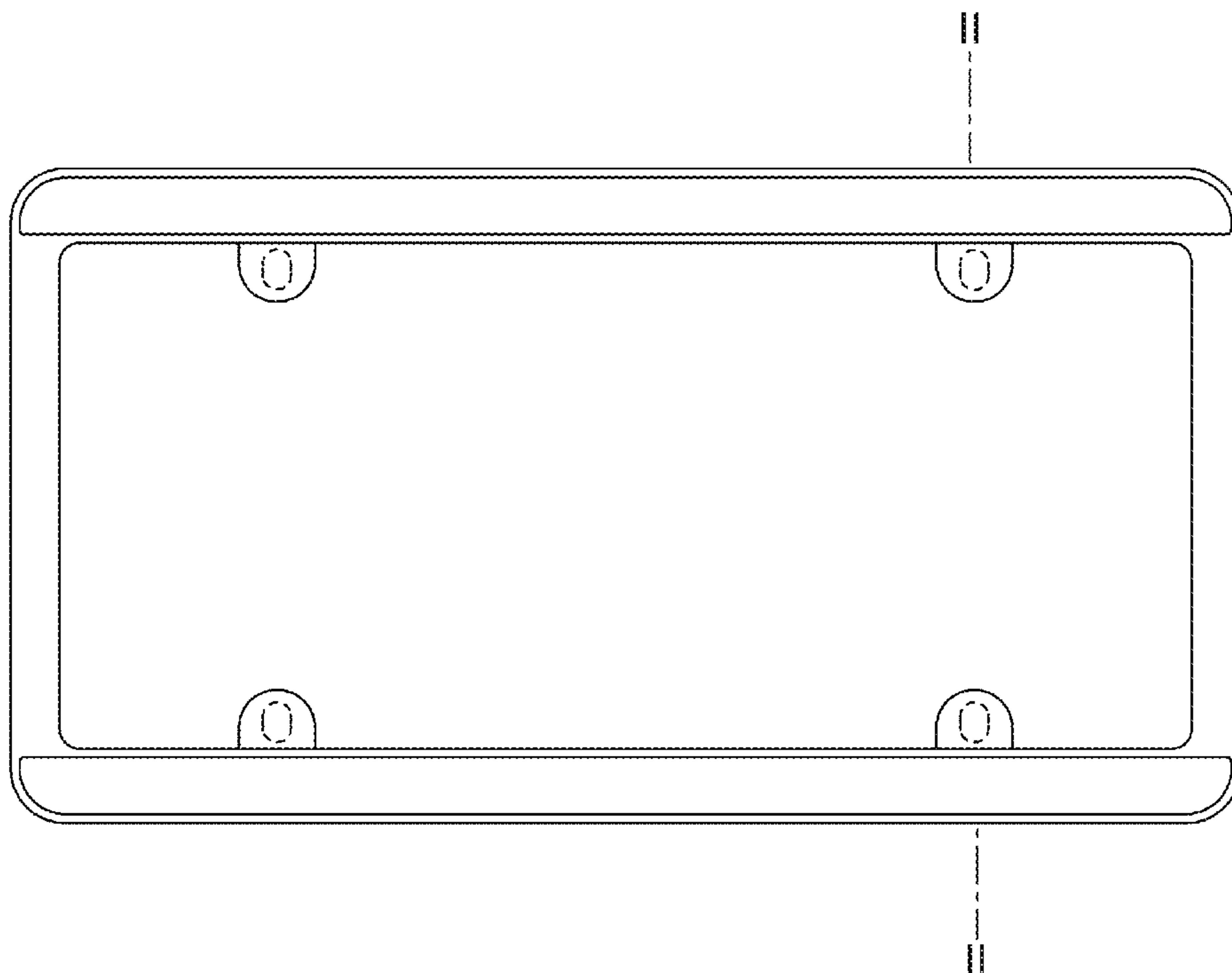
(57) **CLAIM**

The ornamental design for a license plate frame and holder, as shown and described.

DESCRIPTION

FIG. 1 is a front elevation view of a license plate frame and holder showing my new invention;
FIG. 2 is a cross-sectional view through the dash-dot line shown in FIG. 1 thereof;
FIG. 3 is a front perspective view thereof;
FIG. 4 is a partial front view thereof; and,
FIG. 5 is rear perspective view thereof.
The broken lines in the drawings illustrate portions of the license plate frame and holder which forms no part of the claimed design.

1 Claim, 5 Drawing Sheets



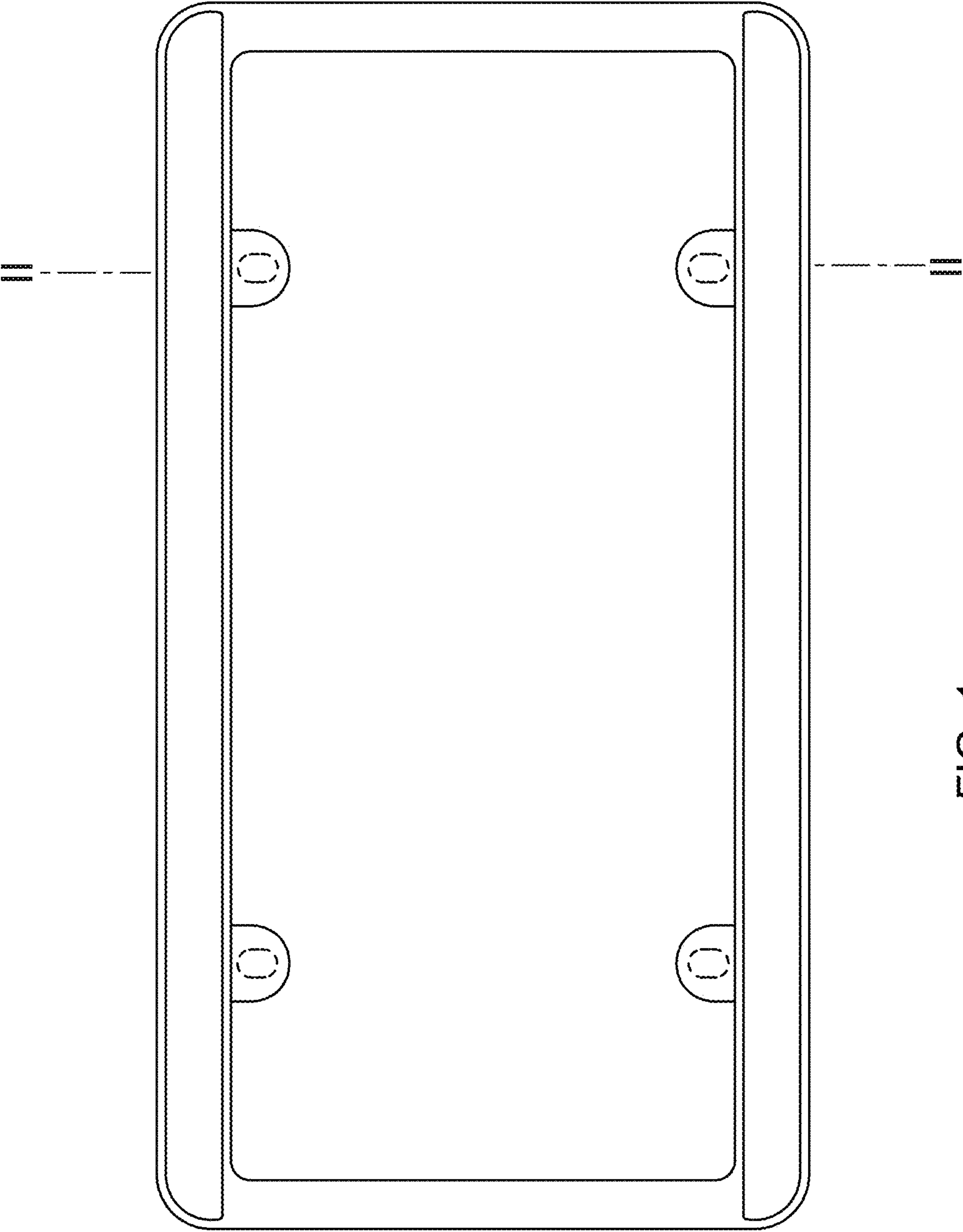


FIG. 1

FIG. 2

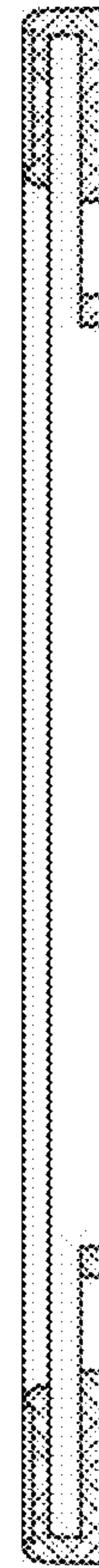


FIG. 3

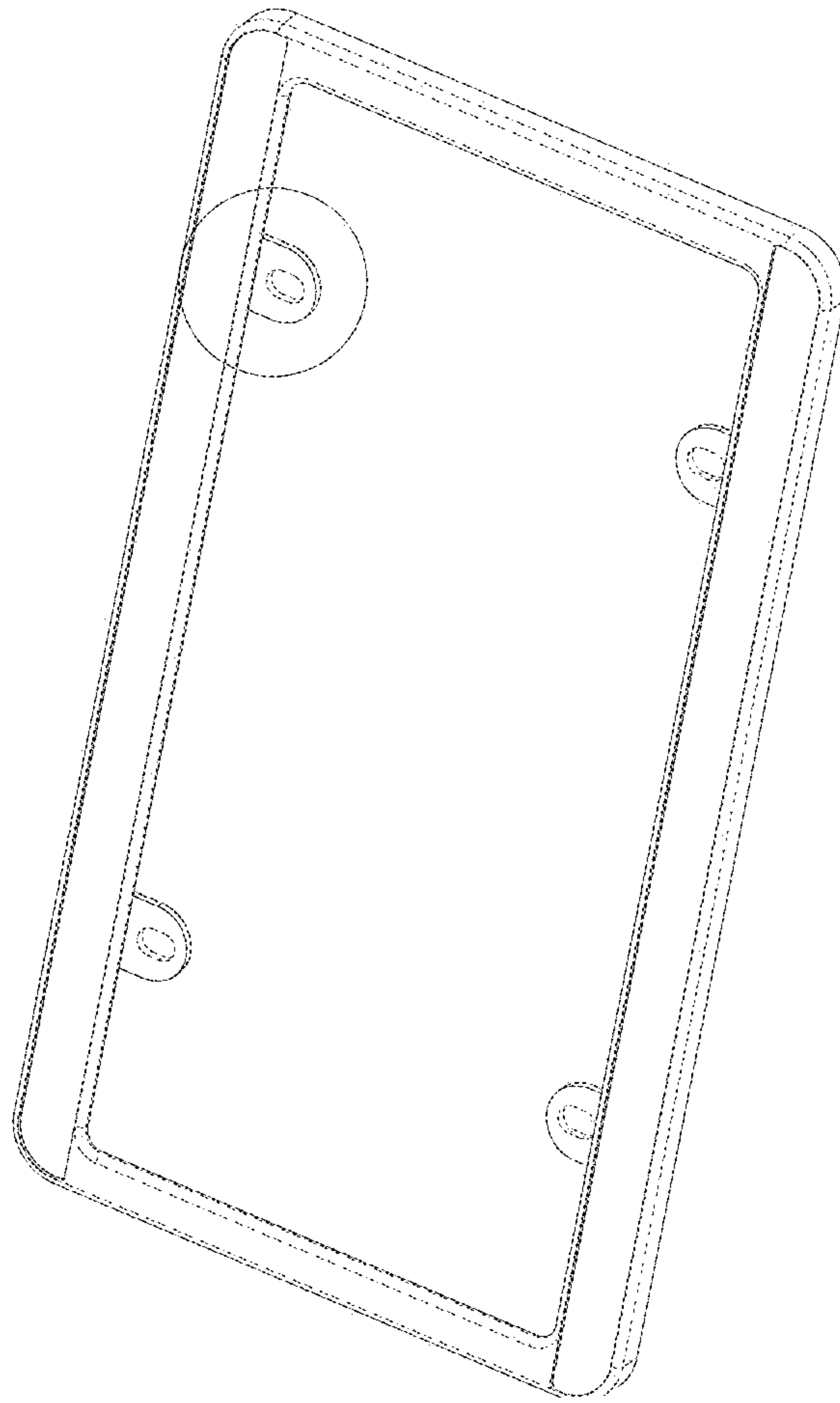


FIG. 4

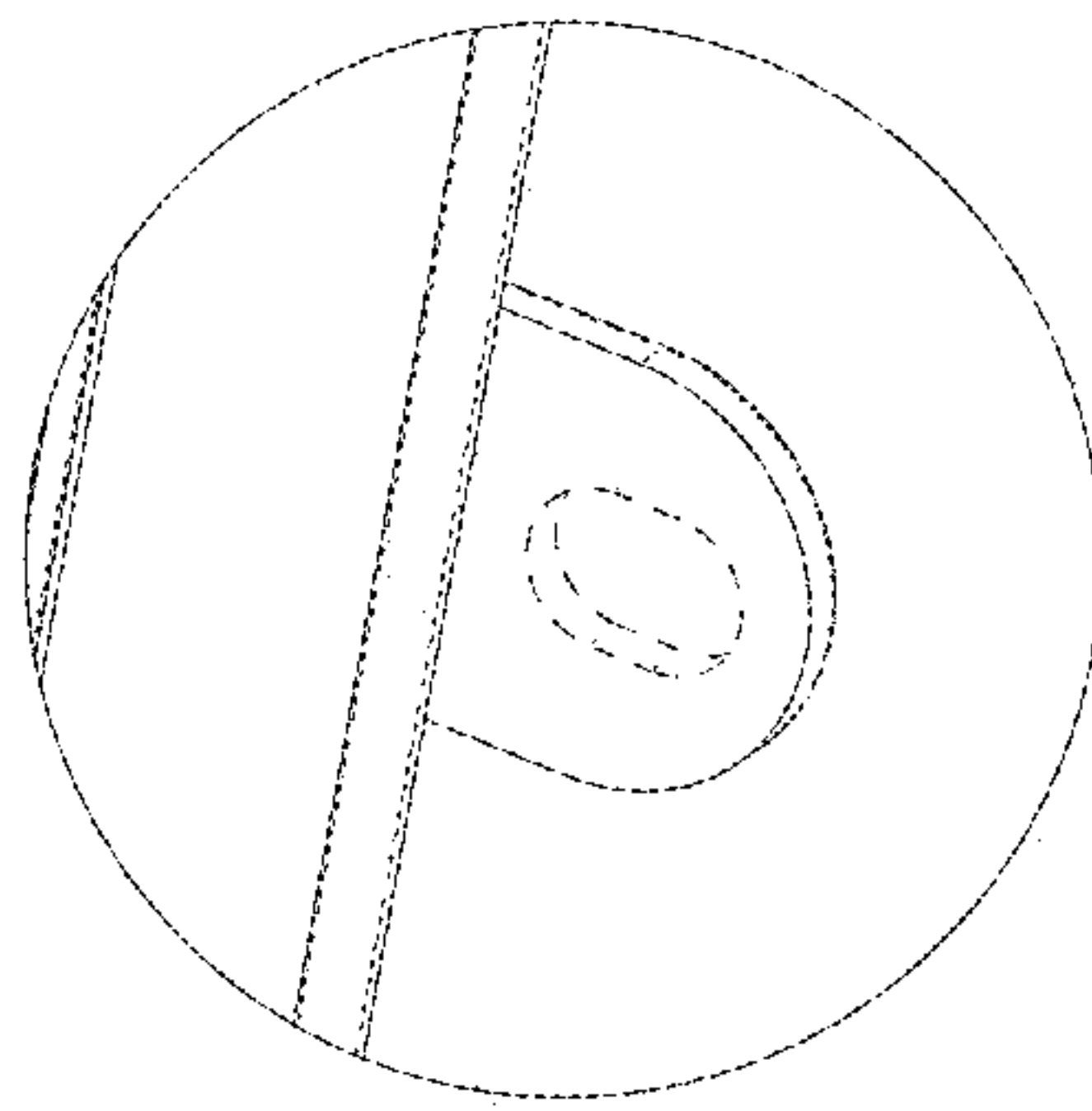


FIG. 5

