



US00D948396S

(12) **United States Design Patent**
Taverna

(10) **Patent No.:** **US D948,396 S**

(45) **Date of Patent:** **** Apr. 12, 2022**

(54) **REAR QUARTER EXTENSION FOR AN
AUTOMOBILE**

(71) Applicant: **Advanced Composite Specialties, Inc.,**
Montreal (CA)

(72) Inventor: **Joseph Taverna, Montreal (CA)**

(73) Assignee: **Advanced Composite Specialties, Inc.,**
Montreal (CA)

(**) Term: **15 Years**

(21) Appl. No.: **29/768,933**

(22) Filed: **Feb. 2, 2021**

(51) **LOC (13) Cl.** **12-16**

(52) **U.S. Cl.**
USPC **D12/184**

(58) **Field of Classification Search**
USPC ... D12/1, 14, 82, 85, 88, 89, 90, 91, 92, 93,
D12/96, 97, 98, 99, 164, 167, 169, 170,
D12/171, 172, 173, 181, 184, 185, 190,
D12/192, 196, 400; D21/533, 548, 552,
D21/561

CPC B62D 25/02; B62D 25/04; B62D 25/16;
B62D 25/18; B62D 25/161; B62D
25/168; B62D 25/182; B60J 5/00; B60J
5/02; B60J 5/04; B60J 5/10; B60R 19/00

See application file for complete search history.

(56) **References Cited**

U.S. PATENT DOCUMENTS

D858,385 S * 9/2019 Phillips D12/184
D858,386 S * 9/2019 Wymore D12/184
D863,159 S * 10/2019 Goodrich D12/184
D867,245 S * 11/2019 Ito D12/184
D875,006 S * 2/2020 DiCanzio D12/184
D898,640 S * 10/2020 Rose D12/184
D906,202 S * 12/2020 Bibb, VI D12/184
10,928,239 B1 * 2/2021 Salter B60W 50/14

D915,265 S * 4/2021 Duncan D12/196
11,014,615 B1 * 5/2021 Ungetheim B62D 35/00
D929,916 S * 9/2021 Kentley-Klay D12/184
D935,363 S * 11/2021 Duncan D12/184
D935,966 S * 11/2021 Bibb, VI D12/184

OTHER PUBLICATIONS

Fender Guards. (Design—© Questel) orbit.com. [Online PDF compilation of references] 60 pgs. Print Dates Range Aug. 12, 2020-Dec. 14, 2020 [Retrieved Jan. 24, 2022].*

(Continued)

Primary Examiner — Manpreet S Matharu

Assistant Examiner — Suzanne E Tisdell

(74) *Attorney, Agent, or Firm* — Caesar Rivise, PC

(57) **CLAIM**

The ornamental design for a rear quarter extension for an automobile, as shown and described.

DESCRIPTION

FIG. 1 is an isometric view of a rear quarter extension for an automobile showing my new design;

FIG. 2 is a front view of the rear quarter extension for an automobile of FIG. 1;

FIG. 3 is a rear view of the rear quarter extension for an automobile of FIG. 1;

FIG. 4 is a right side view of the rear quarter extension for an automobile of FIG. 1;

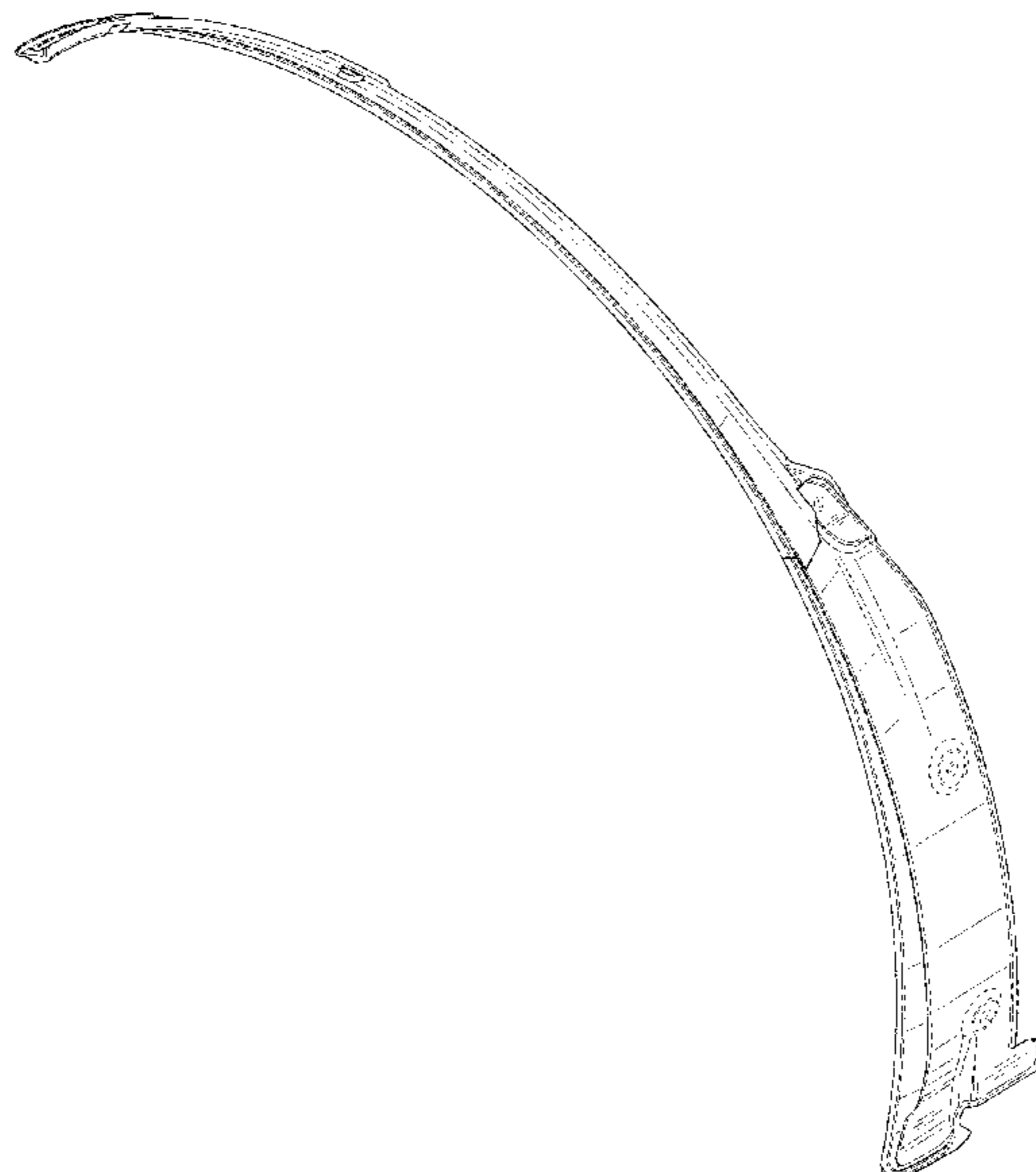
FIG. 5 is a left side view of the rear quarter extension for an automobile of FIG. 1;

FIG. 6 is a top view of the rear quarter extension for an automobile of FIG. 1; and,

FIG. 7 is a bottom view of the rear quarter extension for an automobile of FIG. 1.

The features shown in broken lines in the drawing depict portions of the design that form no part of the claimed design.

1 Claim, 7 Drawing Sheets



(56)

References Cited

OTHER PUBLICATIONS

<https://www.ebay.com/itm/Rear-left-quarter-inner-wheel-arch-repair-panel-for-VW-Golf-Rabbit-Jetta-Mk1-/233507908997>Rear left quarter inner wheel arch repair panel for VW Golf Rabbit Jetta Mk1. 1984. EBay.*

1999-04 Vw Golf Mk4 2Dr Upper Rear Wheel Arch Pass Side. 2004. Raybuck Auto Parts, <https://raybuck.com/product/1999-2004-volkswagen-golfjetta-mk4-2-door-upper-rear-wheel-arch-passenger-side/>.*

1985-1992 Volkswagen Golf Rear Wheel Arch Passenger Side. 1992. Raybuck Auto Parts. <https://raybuck.com/product/1985-1992-volkswagen-golf-4-door-rear-wheel-arch-passenger-side/>.*

“C7 Carbon Z06 Rear Front Guard—Installed in High Gloss”, Apsis USA Inc., © 2015, retrieved on Feb. 4, 2021 from <https://apsisusa.com/c7-carbon-z06-rear-front-guard-installed-in-high-gloss/>.

* cited by examiner

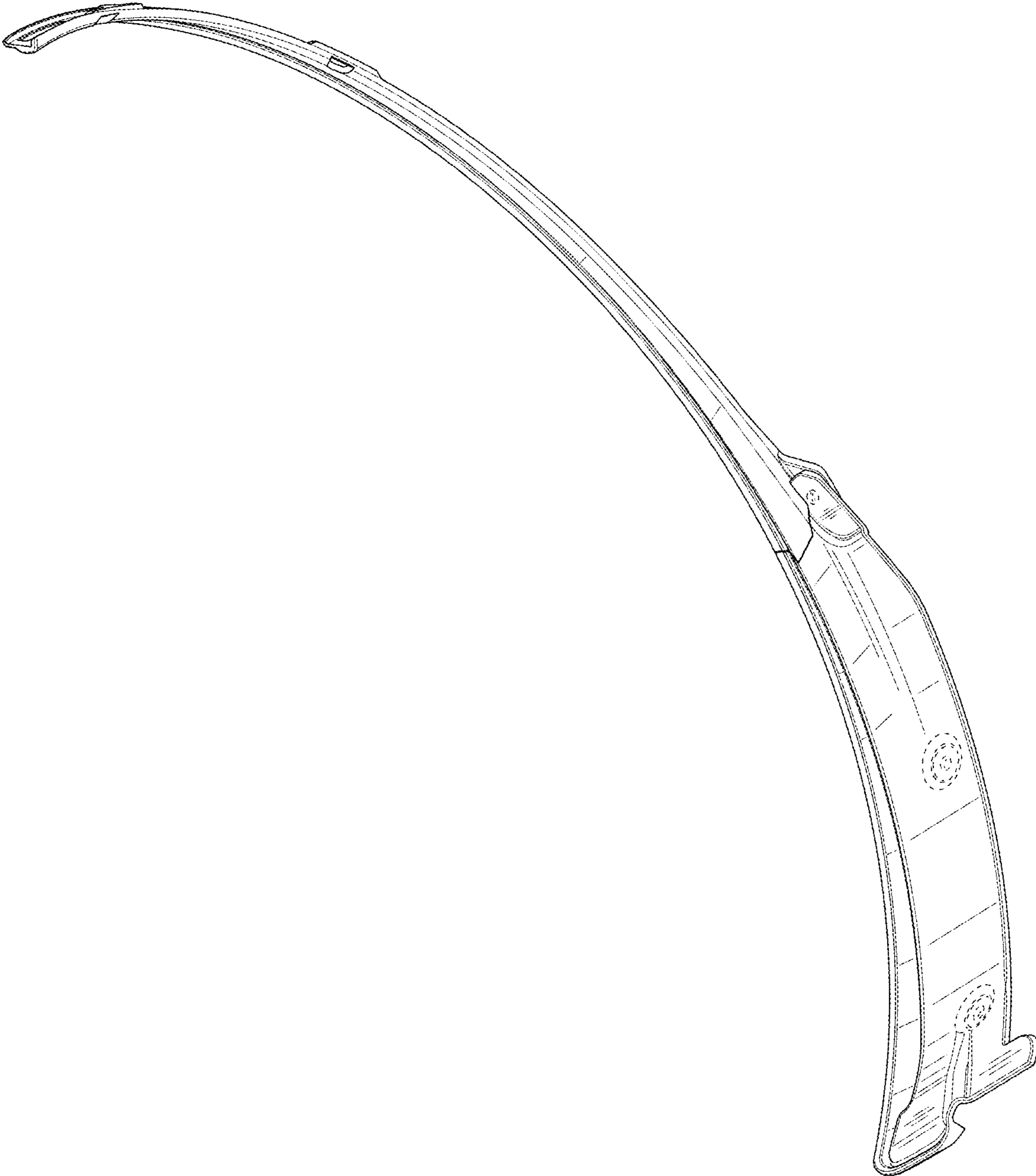


FIG. 1

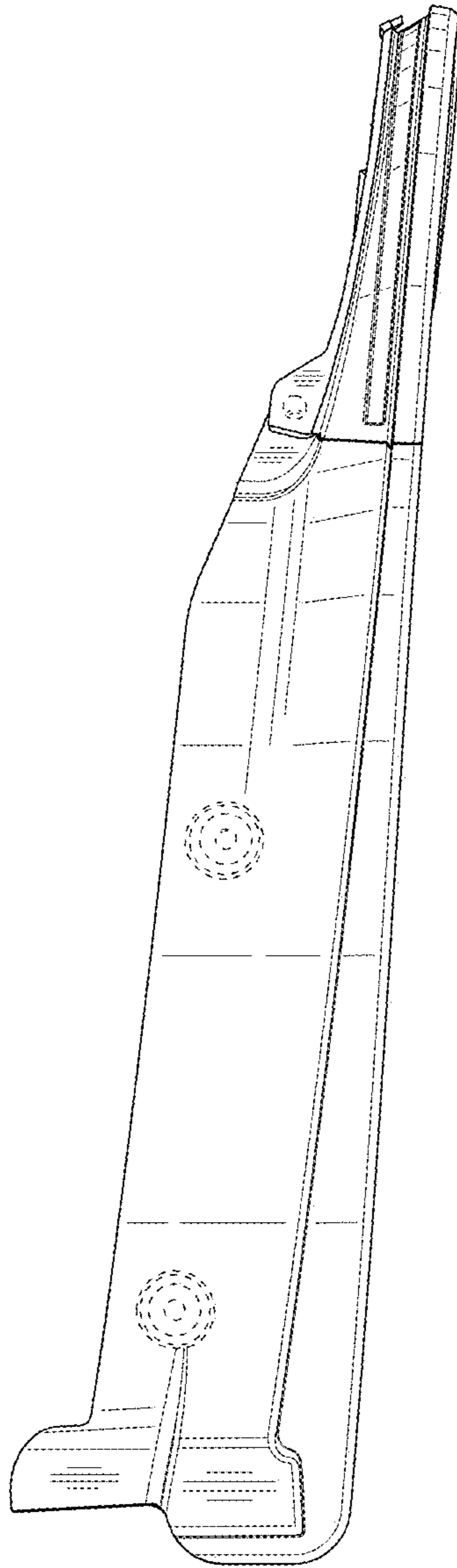


FIG. 2

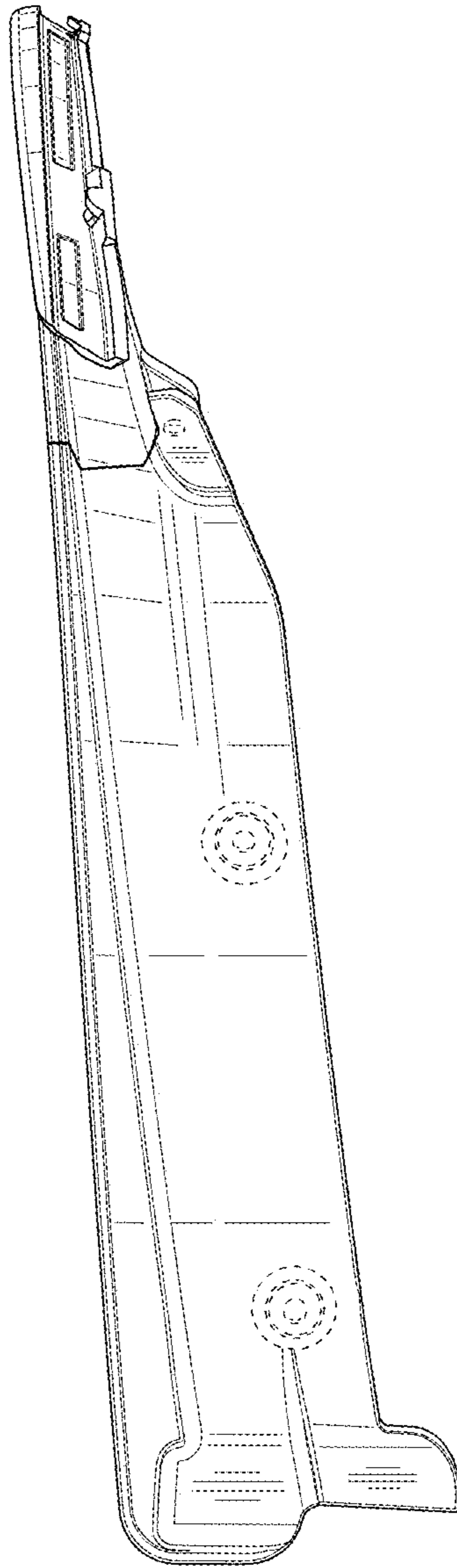


FIG. 3



FIG. 4



FIG. 5

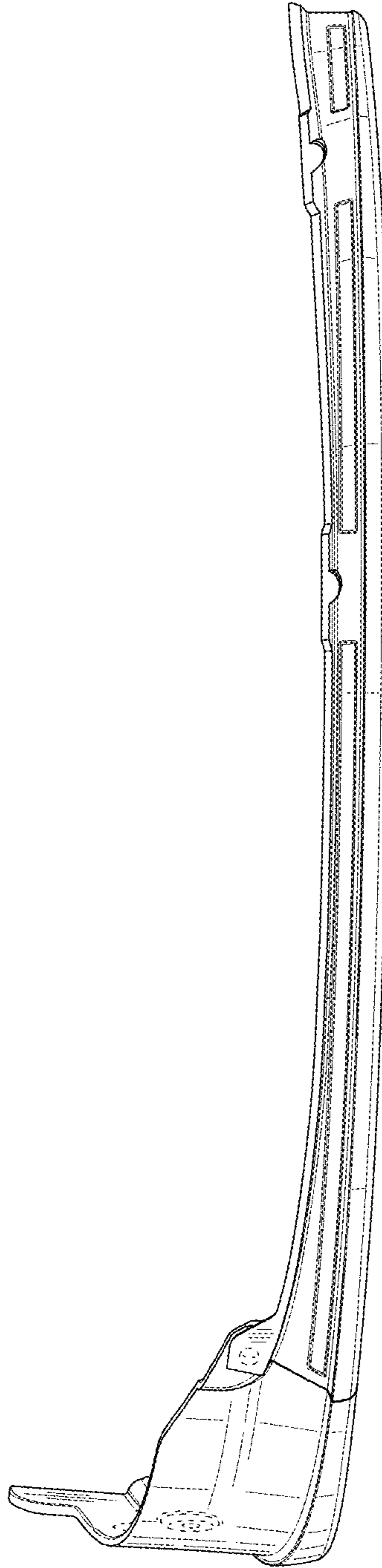


FIG. 6

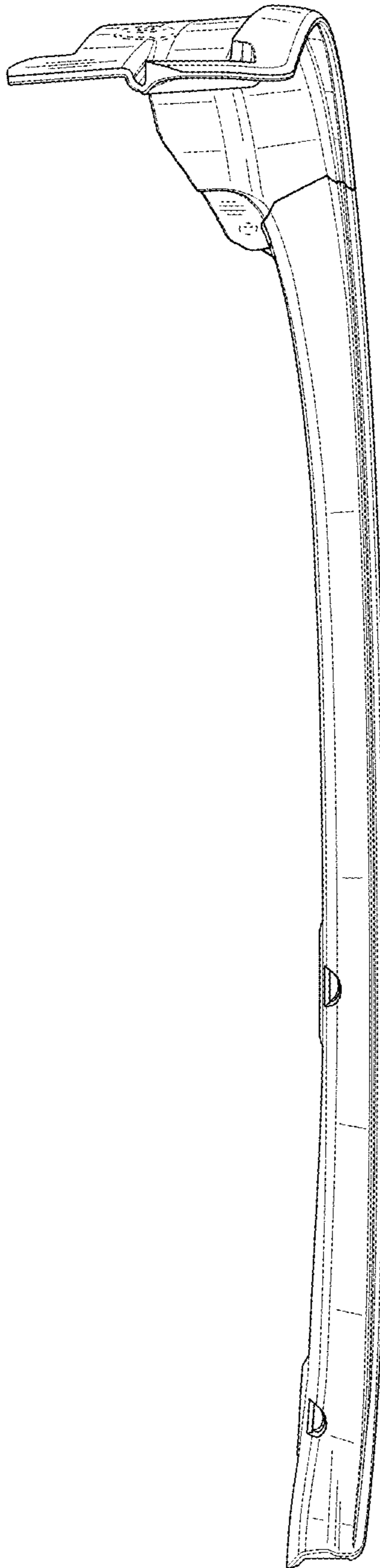


FIG. 7