



US00D948393S

(12) **United States Design Patent**
Vermeersch et al.

(10) **Patent No.:** **US D948,393 S**

(45) **Date of Patent:** **** *Apr. 12, 2022**

(54) **LOW PROFILE MODULAR SHIFT ASSEMBLY**

(71) Applicant: **Steering Solutions IP Holding Corporation**, Saginaw, MI (US)

(72) Inventors: **Michael C. Vermeersch**, Essexville, MI (US); **Arthur W. Nellett**, Davison, MI (US); **Robert W. Dubay**, Saginaw, MI (US); **Robert D. Bueche**, Montrose, MI (US)

(73) Assignee: **Steering Solutions IP Holding Corporation**, Saginaw, MI (US)

(*) Notice: This patent is subject to a terminal disclaimer.

(**) Term: **15 Years**

(21) Appl. No.: **29/608,036**

(22) Filed: **Jun. 19, 2017**

(51) **LOC (13) Cl.** **12-16**

(52) **U.S. Cl.**
USPC **D12/177**

(58) **Field of Classification Search**
USPC D12/177, 175, 176, 179; 74/473.31, 74/473.15, 473.25

CPC F16H 59/10; F16H 61/24; F16H 59/0204; F16H 61/36; B60K 20/06; B60Q 1/1469

See application file for complete search history.

(56) **References Cited**

U.S. PATENT DOCUMENTS

- 4,821,605 A * 4/1989 Dzioba B60R 25/02144 192/219.4
- 4,934,208 A * 6/1990 Carlstrom B60K 20/06 116/28.1
- 6,327,928 B1 * 12/2001 Bowerman B60K 20/06 74/473.15
- D602,411 S * 10/2009 Nagase D12/177

- 8,783,718 B1 * 7/2014 Clark B60K 20/06 280/775
- 8,857,851 B2 * 10/2014 Clark B60K 20/06 280/775
- D722,630 S * 2/2015 Hatano D15/149
- 9,127,757 B2 * 9/2015 Blanc F16H 61/24
- 9,447,866 B2 * 9/2016 Vermeersch F16H 61/24
- 9,447,867 B2 * 9/2016 Vermeersch F16H 59/10
- 10,288,165 B2 * 5/2019 Makimura F16H 59/0204
- 2003/0205100 A1 * 11/2003 Vermeersch B60R 25/02144 74/473.32
- 2005/0067825 A1 * 3/2005 Manwaring B60Q 1/1469 280/777
- 2013/0074632 A1 * 3/2013 Moreno Colom F16H 59/10 74/473.24
- 2013/0145889 A1 * 6/2013 Vermeersch F16H 59/02 74/473.36
- 2014/0260750 A1 * 9/2014 Clark B60K 20/06 74/473.31
- 2016/0305544 A1 * 10/2016 TenBrink F16H 59/0204

(Continued)

Primary Examiner — Manpreet S Matharu

Assistant Examiner — Yolanda Robinson

(74) *Attorney, Agent, or Firm* — Dickinson Wright PLLC

(57) **CLAIM**

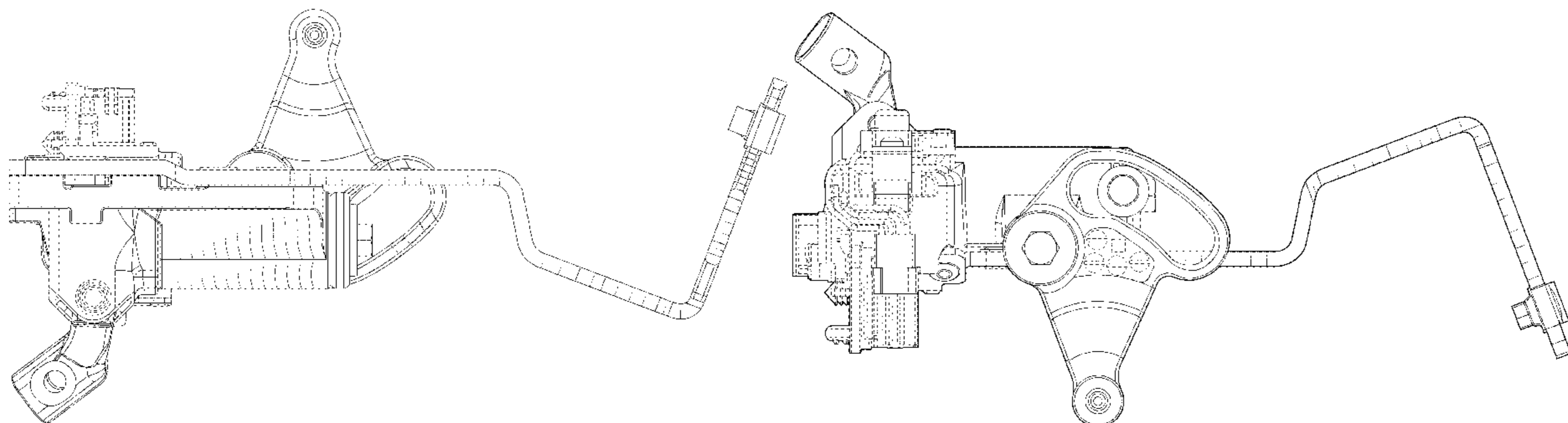
The ornamental design of a low profile modular shift assembly for a vehicle, as shown and described.

DESCRIPTION

FIG. 1 is a right side view of a low profile modular shift assembly in accordance with or new design; FIG. 2 is a left side view thereof; FIG. 3 is an end view thereof; FIG. 4 is a top view thereof; and, FIG. 5 is a bottom view thereof.

The broken lines shown in the low profile modular shift assembly are for portions that form no part of the claimed design.

1 Claim, 5 Drawing Sheets



(56)

References Cited

U.S. PATENT DOCUMENTS

2016/0356376 A1* 12/2016 Vermeersch F16H 61/24
2017/0059034 A1* 3/2017 Makimura F16H 59/0204
2017/0248223 A1* 8/2017 TenBrink F16H 59/0208
2019/0063594 A1* 2/2019 Perichon B60K 23/00

* cited by examiner

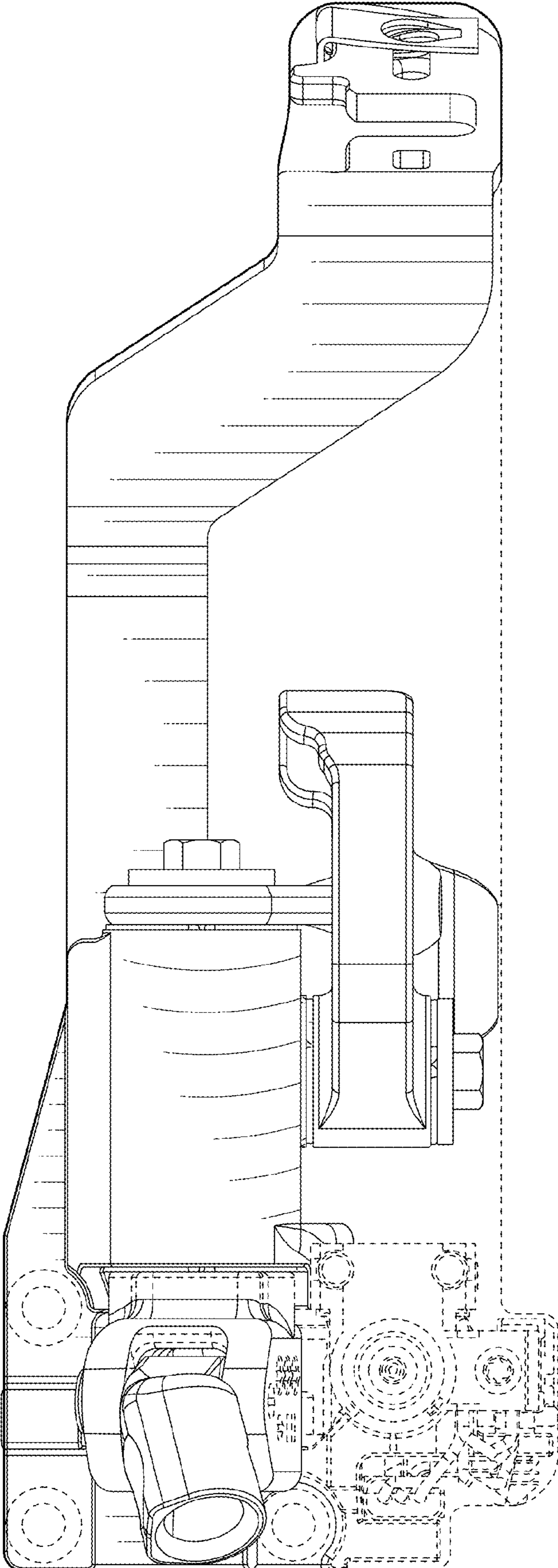


FIG. 1

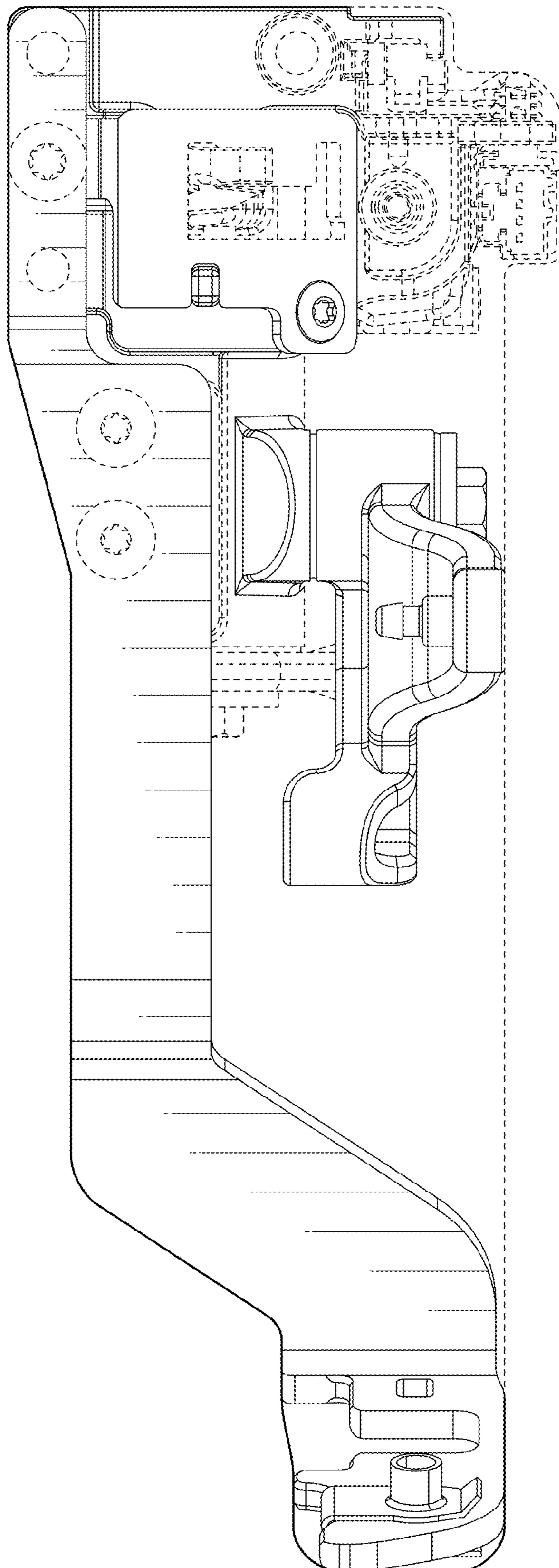


FIG. 2

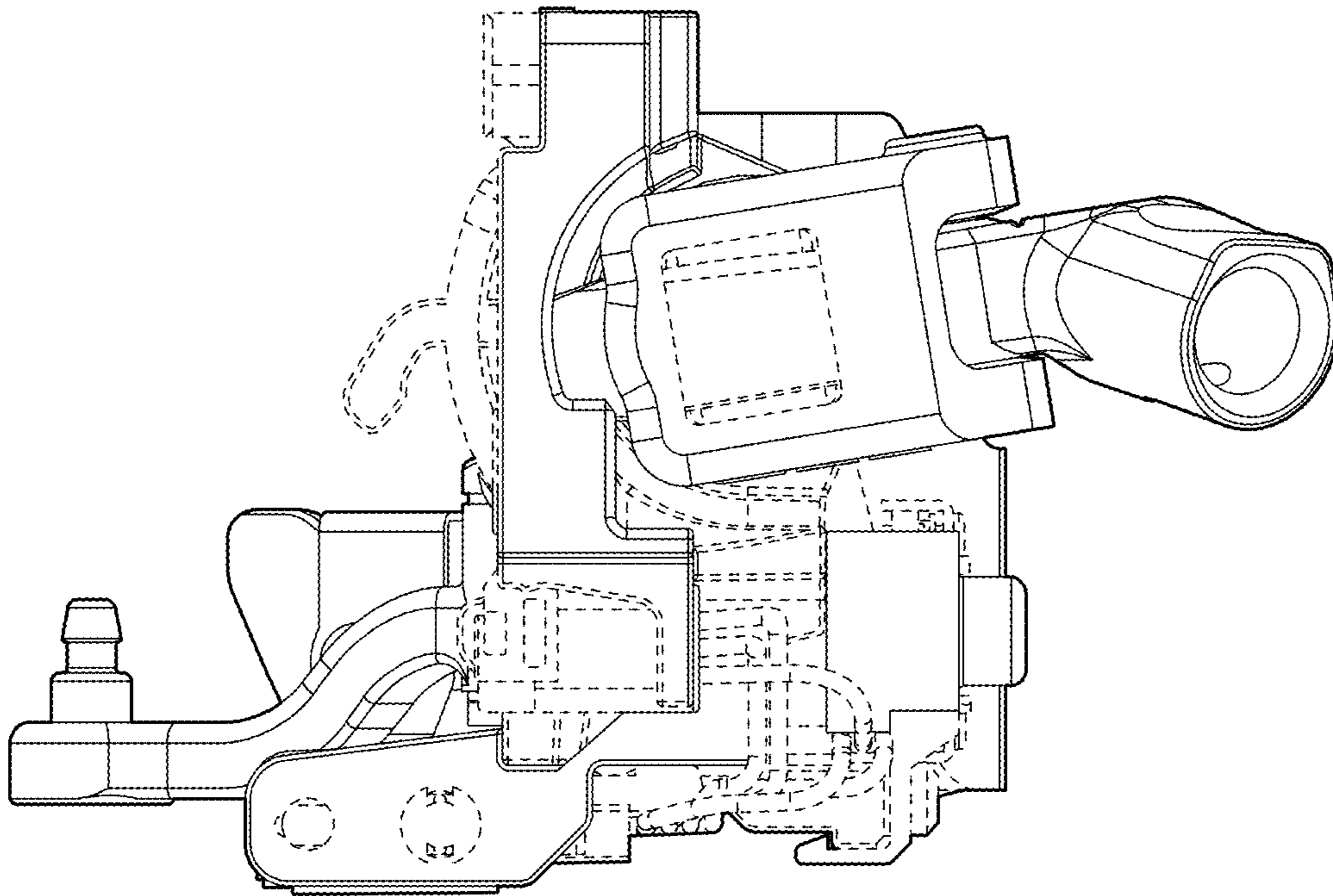


FIG. 3

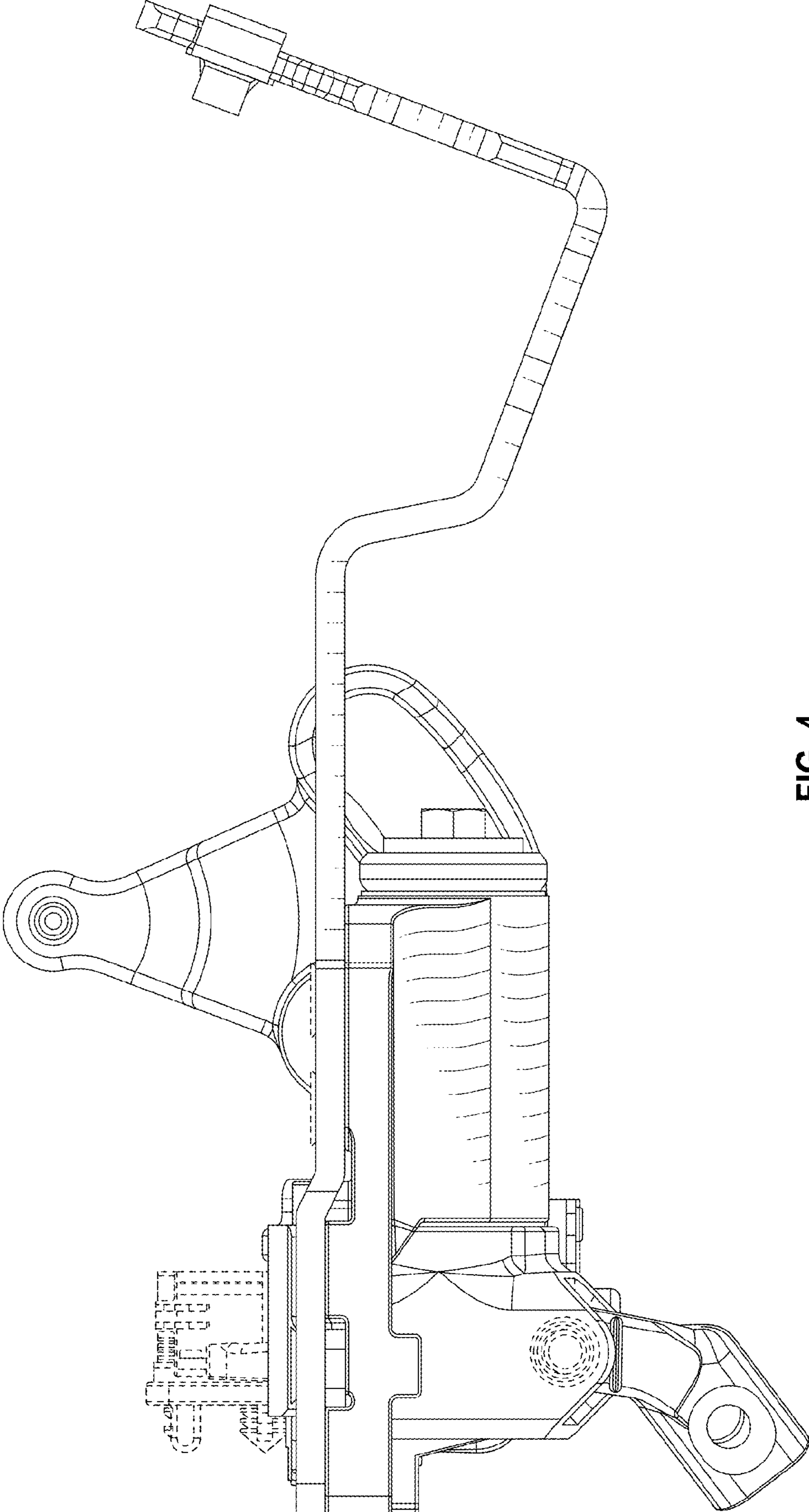


FIG. 4

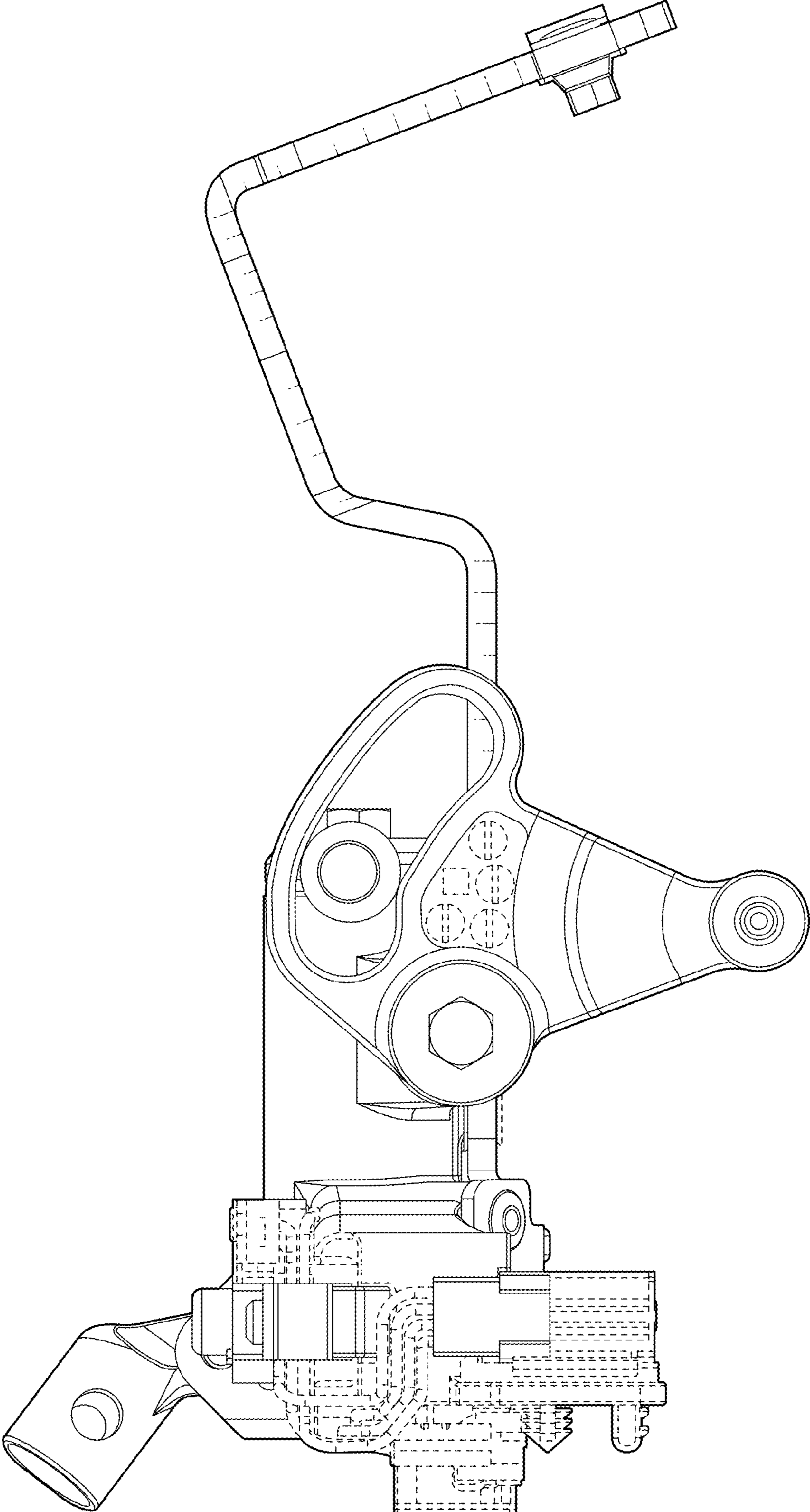


FIG. 5