



US00D948387S

(12) **United States Design Patent**
Deng

(10) **Patent No.:** **US D948,387 S**

(45) **Date of Patent:** **** Apr. 12, 2022**

(54) **SHOCK ABSORBER**

(71) Applicant: **Zuobiao Deng**, Zhejiang (CN)

(72) Inventor: **Zuobiao Deng**, Zhejiang (CN)

(73) Assignee: **Quzhou Longding Auto Parts Co., Ltd.**, Quzhou (CN)

(**) Term: **15 Years**

(21) Appl. No.: **29/755,181**

(22) Filed: **Oct. 19, 2020**

(51) **LOC (13) Cl.** **12-16**

(52) **U.S. Cl.**
USPC **D12/159**

(58) **Field of Classification Search**
USPC D12/159, 160, 161, 400
CPC B62D 1/046; B62D 1/185; B62D 1/187;
B62D 1/195; B60G 2204/125; B60G
2204/41; B60G 2202/14; B60G 2202/142;
B60G 2202/143; B60G 2206/73; B60G
11/22; B60G 17/0272; B60W 10/20;
B60W 2540/18; F16F 9/062
See application file for complete search history.

(56) **References Cited**

U.S. PATENT DOCUMENTS

5,454,585	A *	10/1995	Dronen	B60G 15/068 280/124.147
6,155,543	A *	12/2000	Solomond	B60G 15/068 267/216
6,155,544	A *	12/2000	Solomond	B60G 11/52 267/170
9,662,953	B2 *	5/2017	Murakami	B60G 15/062
9,834,059	B2 *	12/2017	Seminara	B60G 15/063
2006/0220330	A1 *	10/2006	Urquidi	F16F 1/38 280/124.134

2011/0042914	A1 *	2/2011	Hirve	B60G 15/068 280/124.108
2016/0146285	A1 *	5/2016	Wilkin	F16F 9/185 188/322.19
2020/0207172	A1 *	7/2020	Song	B60G 13/003
2021/0124806	A1 *	4/2021	Chakravarty	B60G 3/06

FOREIGN PATENT DOCUMENTS

CN	101837717	A *	9/2010	B60G 11/54
----	-----------	-----	--------	-------	------------

OTHER PUBLICATIONS

SCITOO Coilover Suspensions Shock Struts Kit, Published Dec. 25, 2020 [online], [retrieved on Feb. 3, 2022]. Retrieved from the Internet: <https://www.amazon.com/Coilover-Suspensions-Struts-Assembly-SCITOO/dp/B08R9WF1PP> (Year: 2020).*

* cited by examiner

Primary Examiner — Cary M Robinson

Assistant Examiner — Adam C Mager

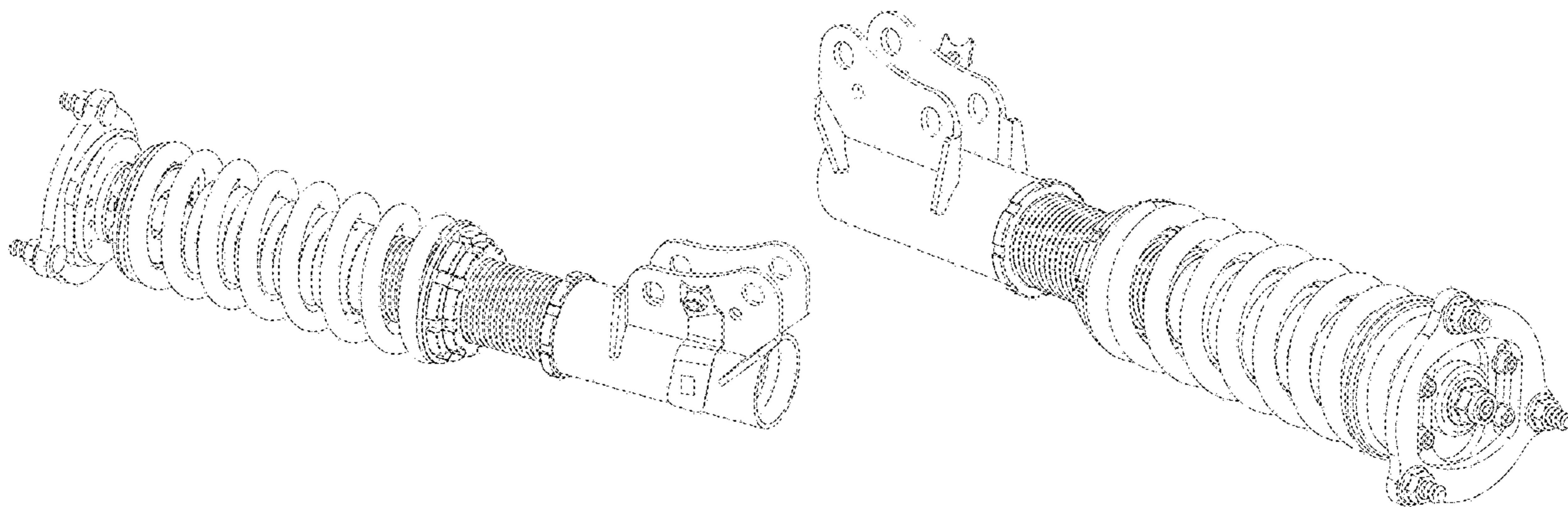
(57) **CLAIM**

The ornamental design for a shock absorber, as shown and described.

DESCRIPTION

FIG. 1 is a perspective view of a shock absorber showing my new design;
FIG. 2 is another perspective view thereof;
FIG. 3 is a front elevational view thereof;
FIG. 4 is a rear elevational view thereof;
FIG. 5 is a left side elevational view thereof;
FIG. 6 is a right side elevational view thereof;
FIG. 7 is a top plan view thereof; and,
FIG. 8 is a bottom plan view thereof.

1 Claim, 5 Drawing Sheets



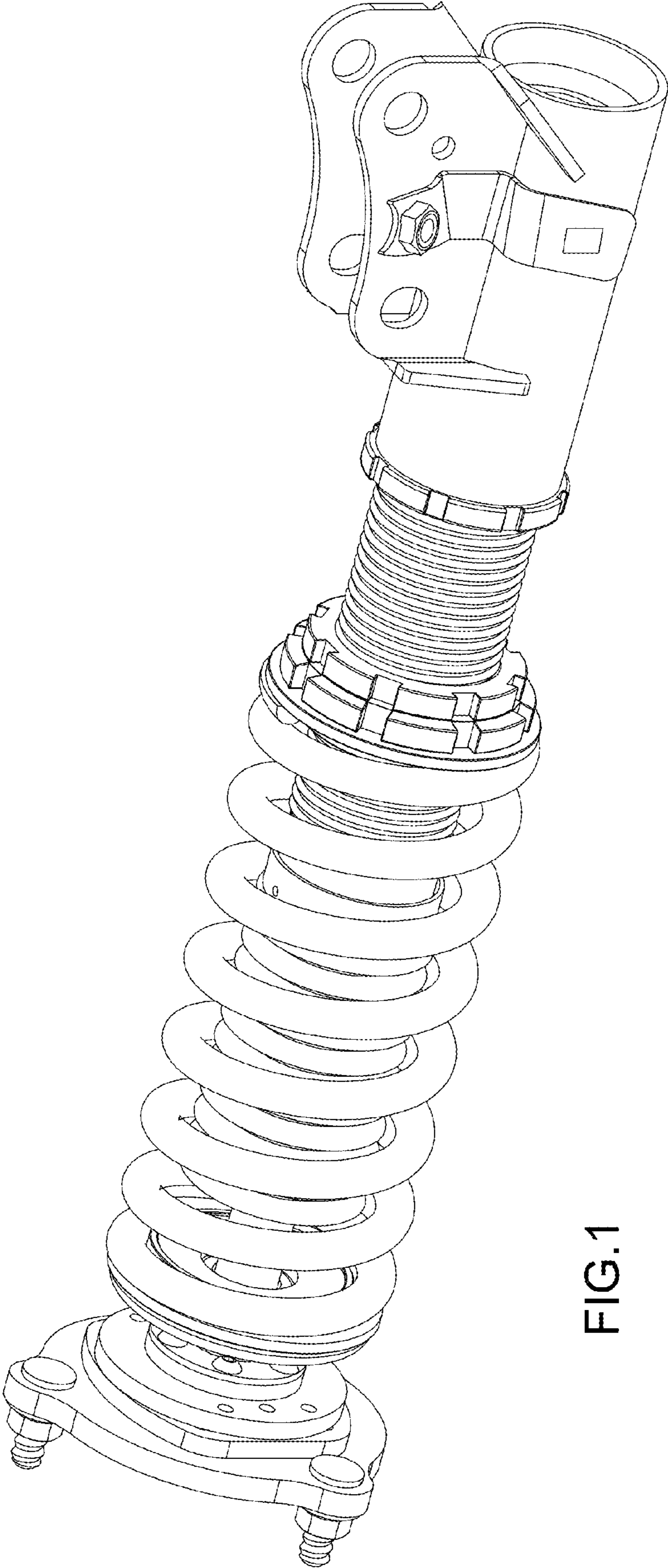


FIG.1

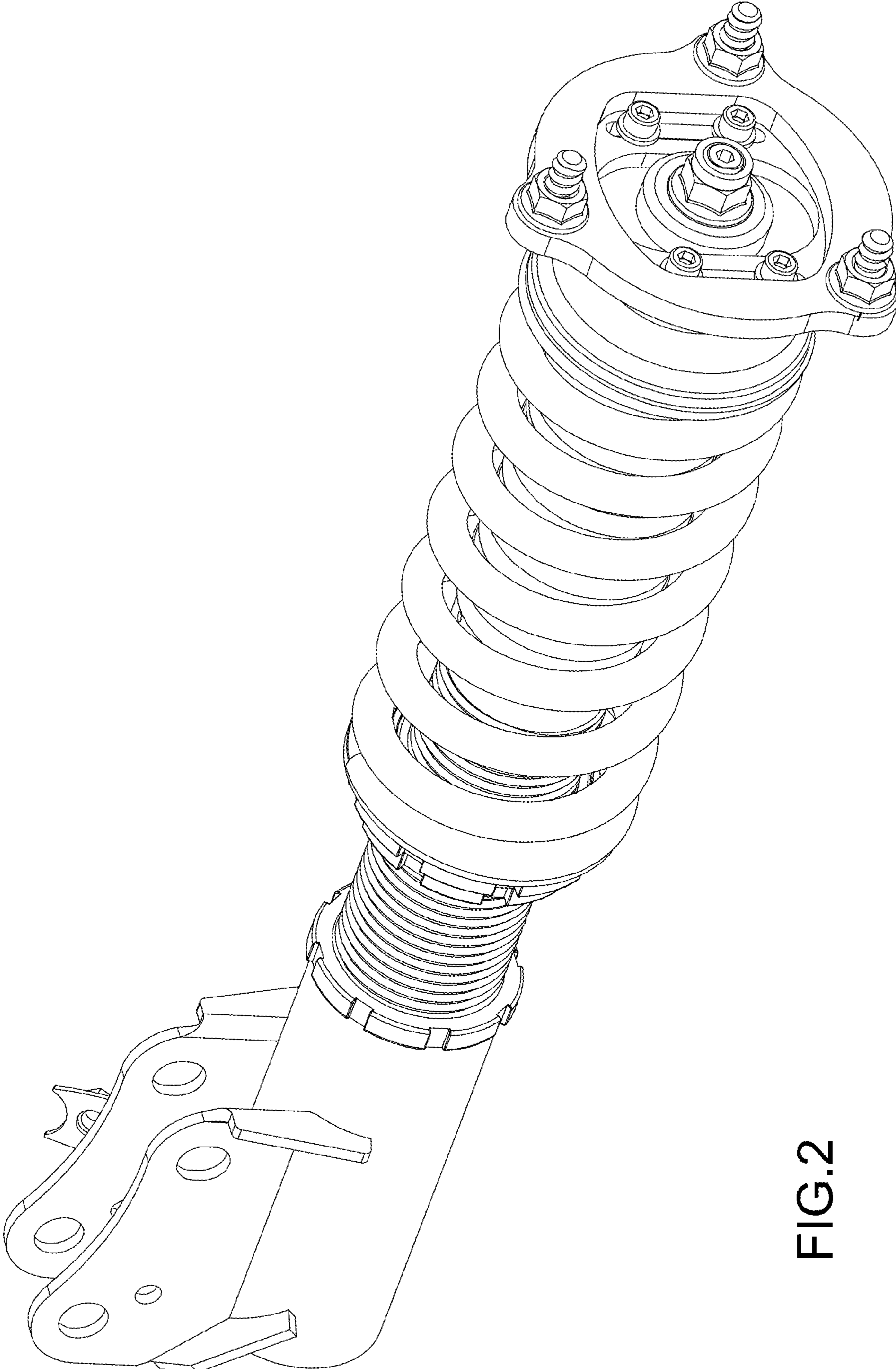


FIG.2

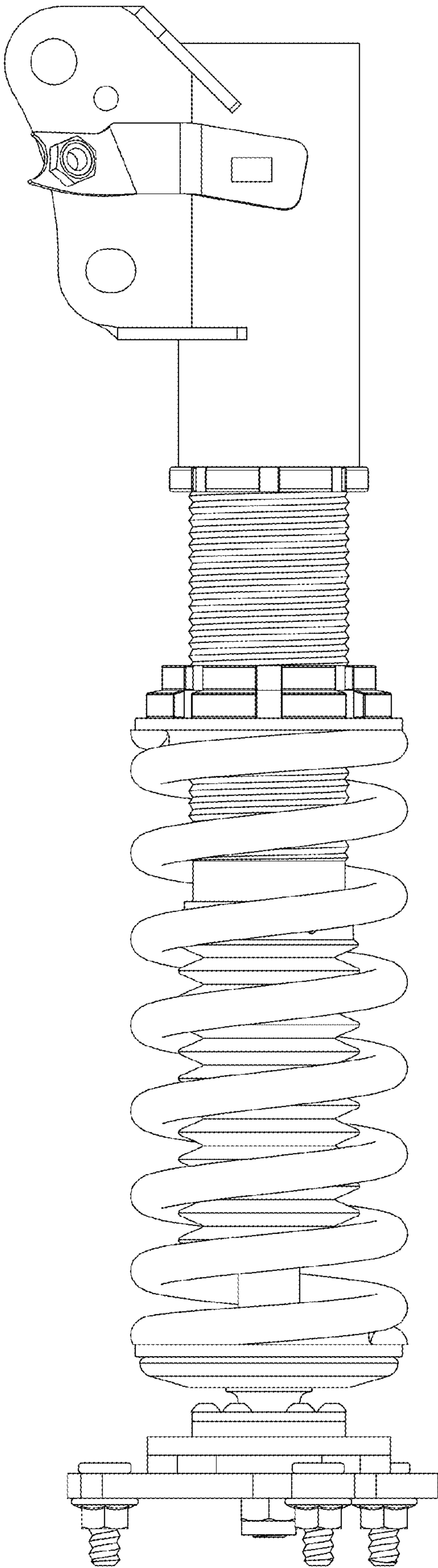


FIG. 3

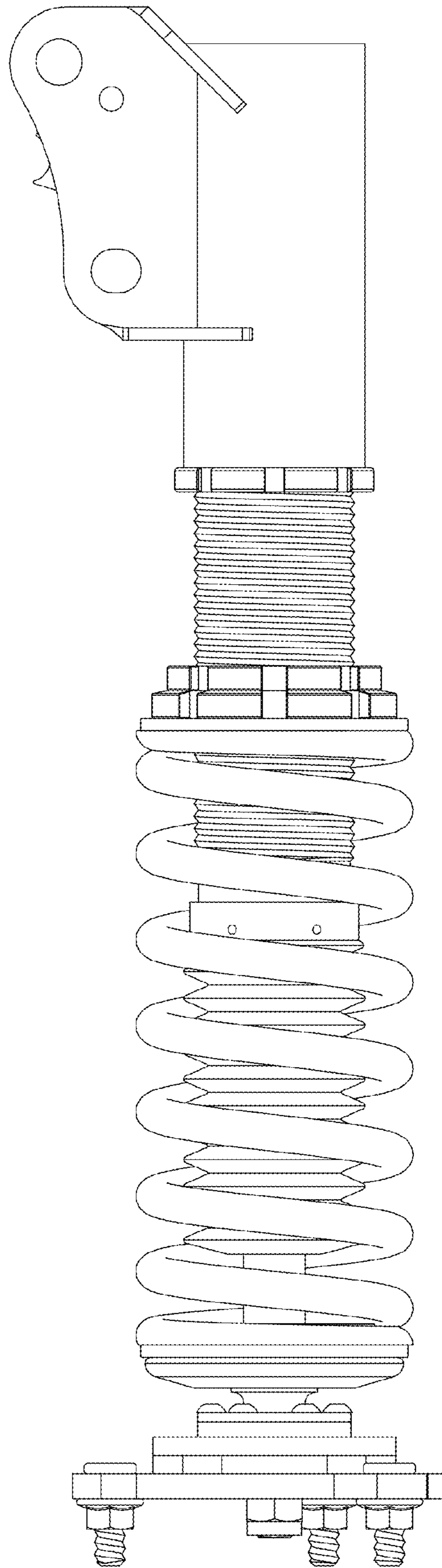


FIG. 4

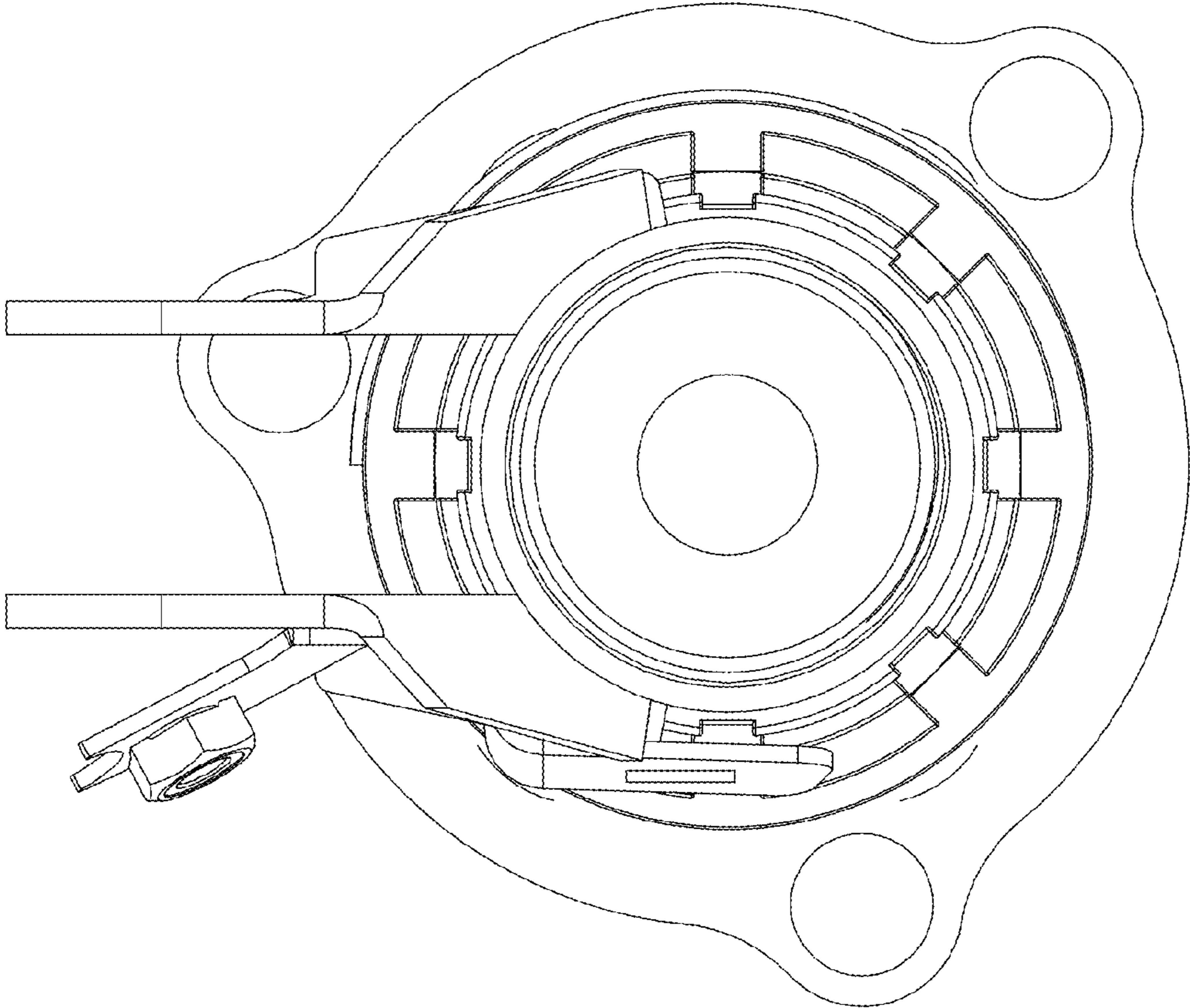


FIG. 6

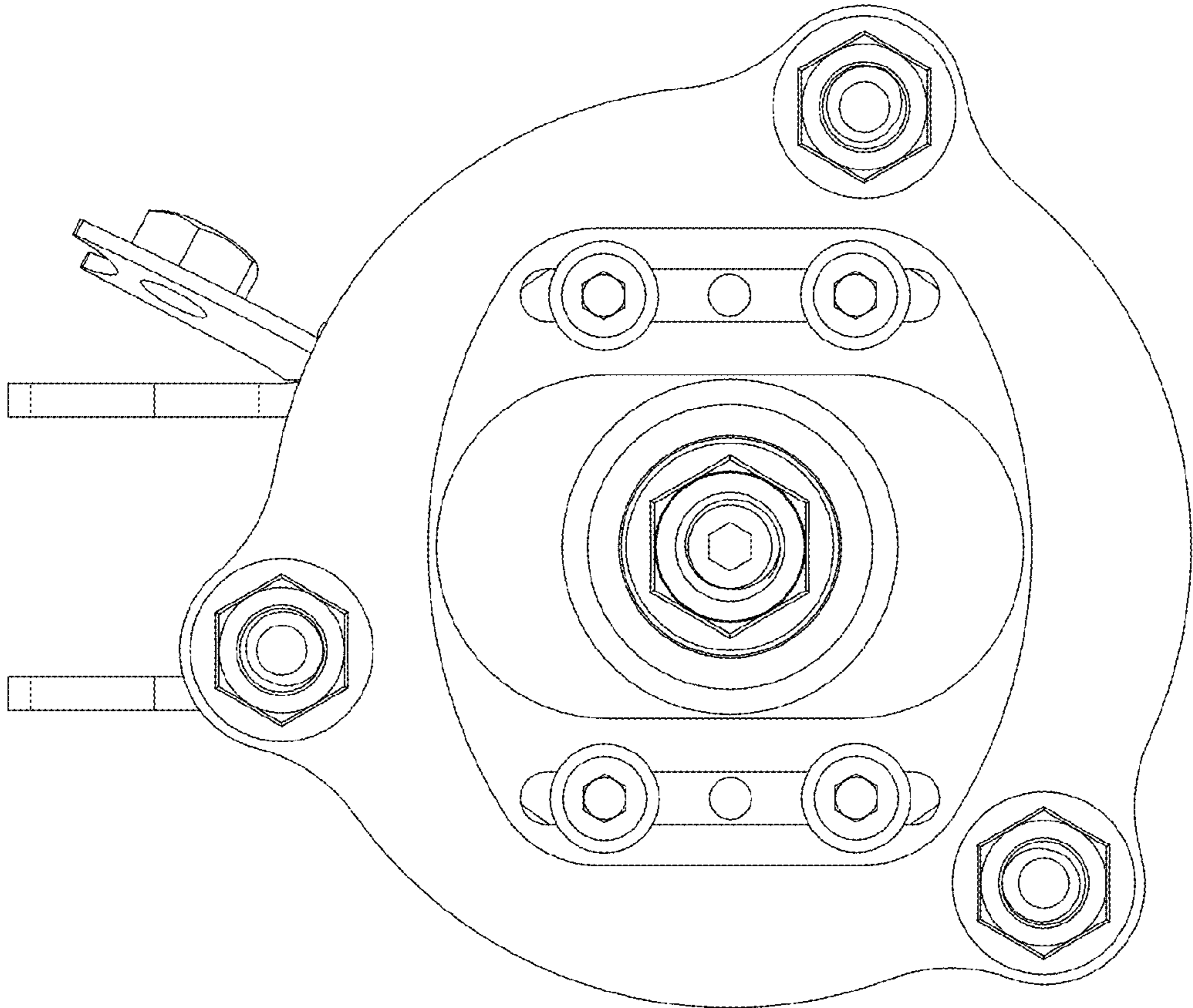


FIG. 5

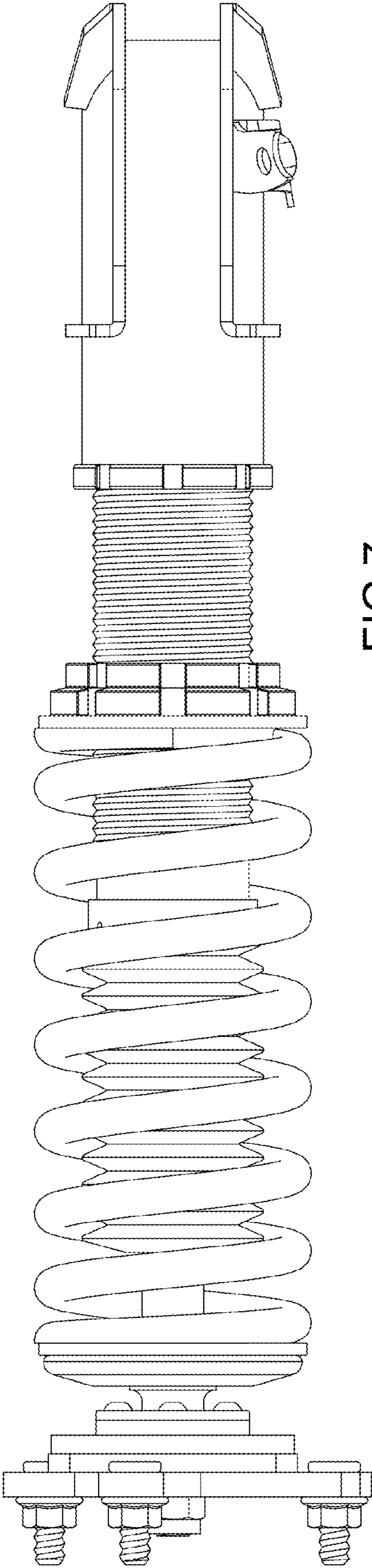


FIG. 7

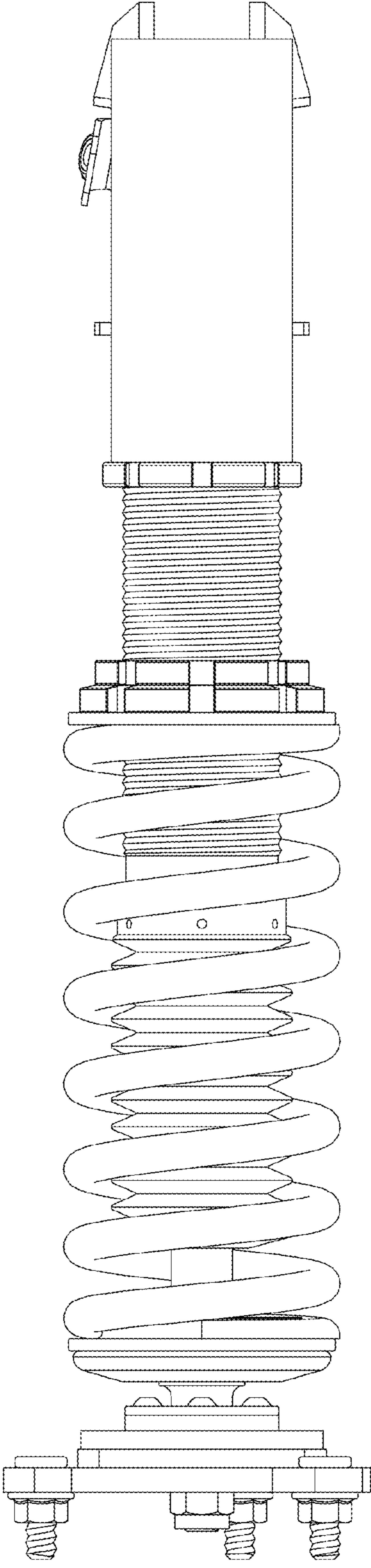


FIG. 8