



US00D948386S

(12) **United States Design Patent**
Deng

(10) **Patent No.:** **US D948,386 S**

(45) **Date of Patent:** **** Apr. 12, 2022**

- (54) **SHOCK ABSORBER**
- (71) Applicant: **Zuobiao Deng**, Quzhou (CN)
- (72) Inventor: **Zuobiao Deng**, Quzhou (CN)
- (73) Assignee: **Quzhou Longding Auto Parts Co., Ltd.**, Quzhou (CN)
- (**) Term: **15 Years**
- (21) Appl. No.: **29/755,178**
- (22) Filed: **Oct. 19, 2020**
- (51) **LOC (13) Cl.** **12-16**
- (52) **U.S. Cl.**
USPC **D12/159**
- (58) **Field of Classification Search**
USPC D12/159, 160, 161, 400
CPC B62D 1/046; B62D 1/185; B62D 1/187;
B62D 1/195; B60G 2204/125; B60G
2204/41; B60G 2202/14; B60G 2202/142;
B60G 2202/143; B60G 2206/73; B60G
11/22; B60G 17/0272; B60W 10/20;
B60W 2540/18; F16F 9/062
See application file for complete search history.

- 5,454,585 A * 10/1995 Dronen B60G 15/068
280/124.147
- D567,886 S * 4/2008 Lampert D21/562
- 9,714,688 B2 * 7/2017 Chu F16F 1/122
- 2006/0220330 A1 * 10/2006 Urquidi F16F 1/38
280/124.134
- 2015/0158363 A1 * 6/2015 Patil B60G 15/06
267/220
- 2017/0028804 A1 * 2/2017 Lindemann F16F 1/12
- 2020/0207172 A1 * 7/2020 Song B60G 13/003

OTHER PUBLICATIONS

BC Racing Coilovers, Published date unavailable [online], [retrieved on Feb. 3, 2022]. Retrieved from the Internet: <https://bc.springrates.com/products/bc-racing-br-series-coilovers-2003-2007-honda-accord?currency=USD&variant=4838646513698&utm> (Year: 2022).*

* cited by examiner

Primary Examiner — Cary M Robinson
Assistant Examiner — Adam C Mager

(57) **CLAIM**

The ornamental design for a shock absorber, as shown and described.

DESCRIPTION

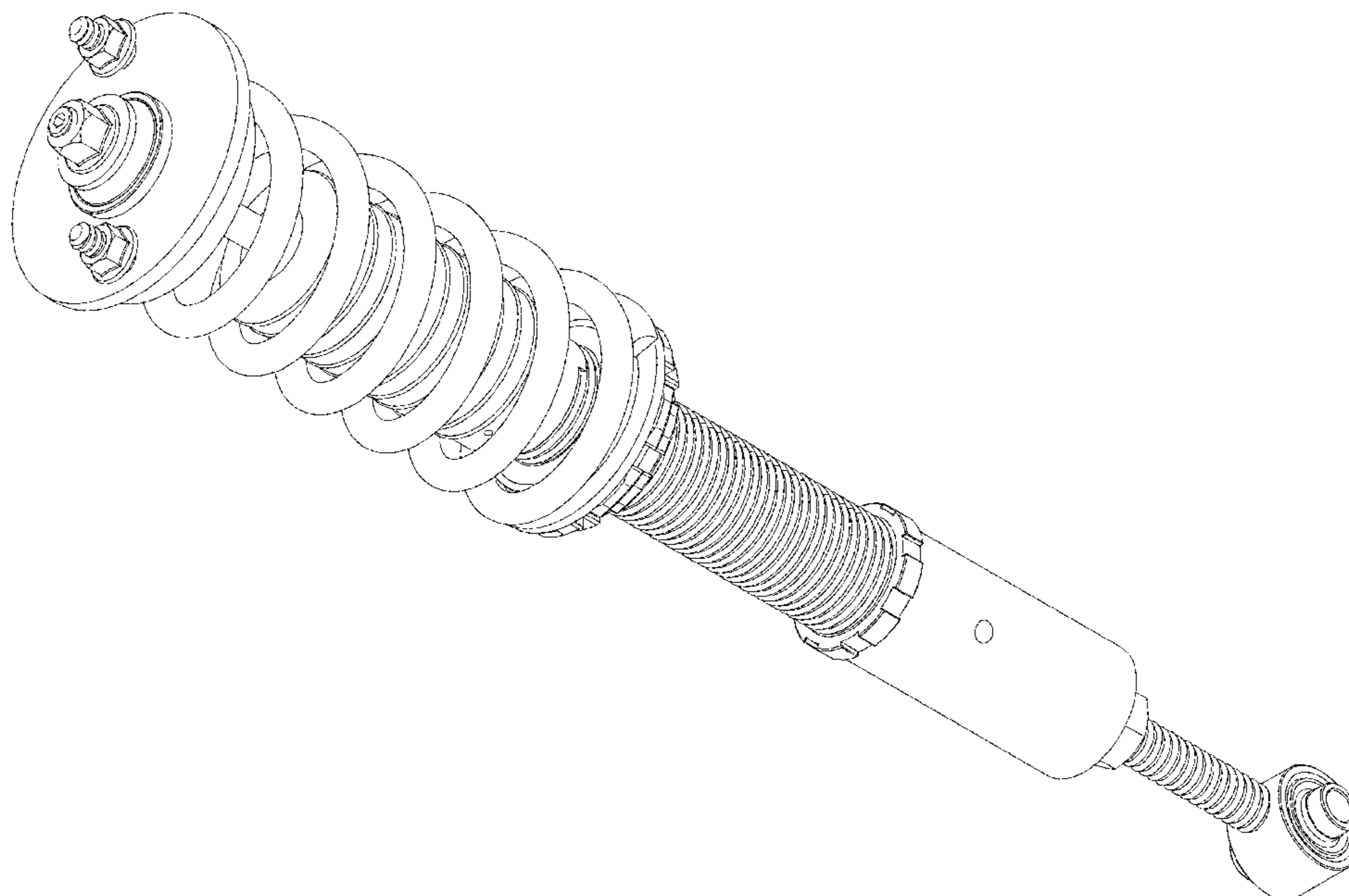
FIG. 1 is a perspective view of a shock absorber showing my new design;
FIG. 2 is another perspective view thereof;
FIG. 3 is a front elevational view thereof;
FIG. 4 is a rear elevational view thereof;
FIG. 5 is a left side elevational view thereof;
FIG. 6 is a right side elevational view thereof;
FIG. 7 is a top plan view thereof; and,
FIG. 8 is a bottom plan view thereof.

1 Claim, 5 Drawing Sheets

(56) **References Cited**

U.S. PATENT DOCUMENTS

- 2,509,803 A * 5/1950 Booth B60G 11/14
267/221
- 3,160,406 A * 12/1964 Dickinson F16F 1/04
267/221
- D262,959 S * 2/1982 Cowan D12/159
- D302,672 S * 8/1989 Ueno D12/159
- 4,962,834 A * 10/1990 Miner B60G 15/067
267/221
- 5,263,695 A * 11/1993 Bianchi B60G 7/04
267/225



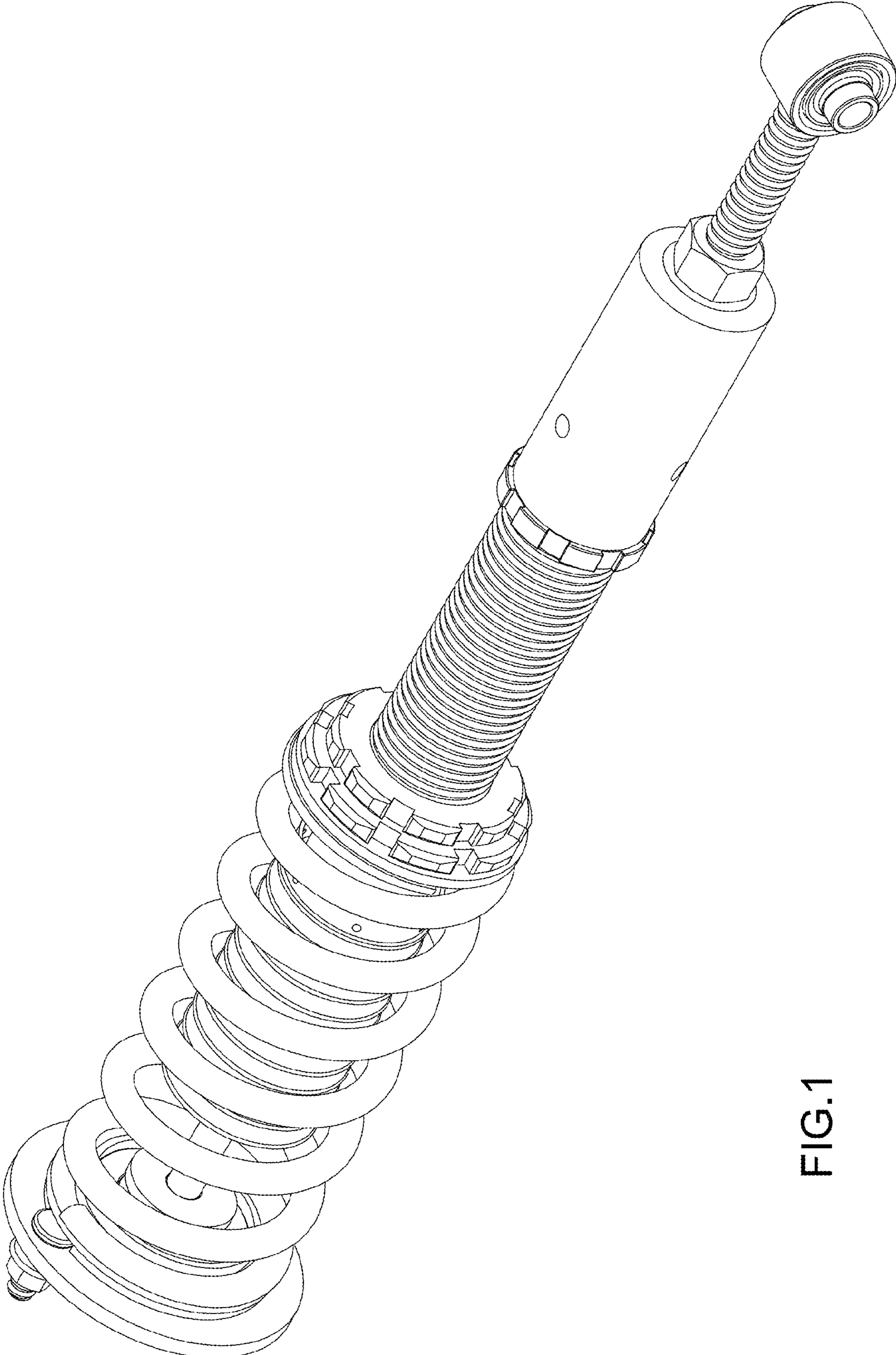


FIG.1

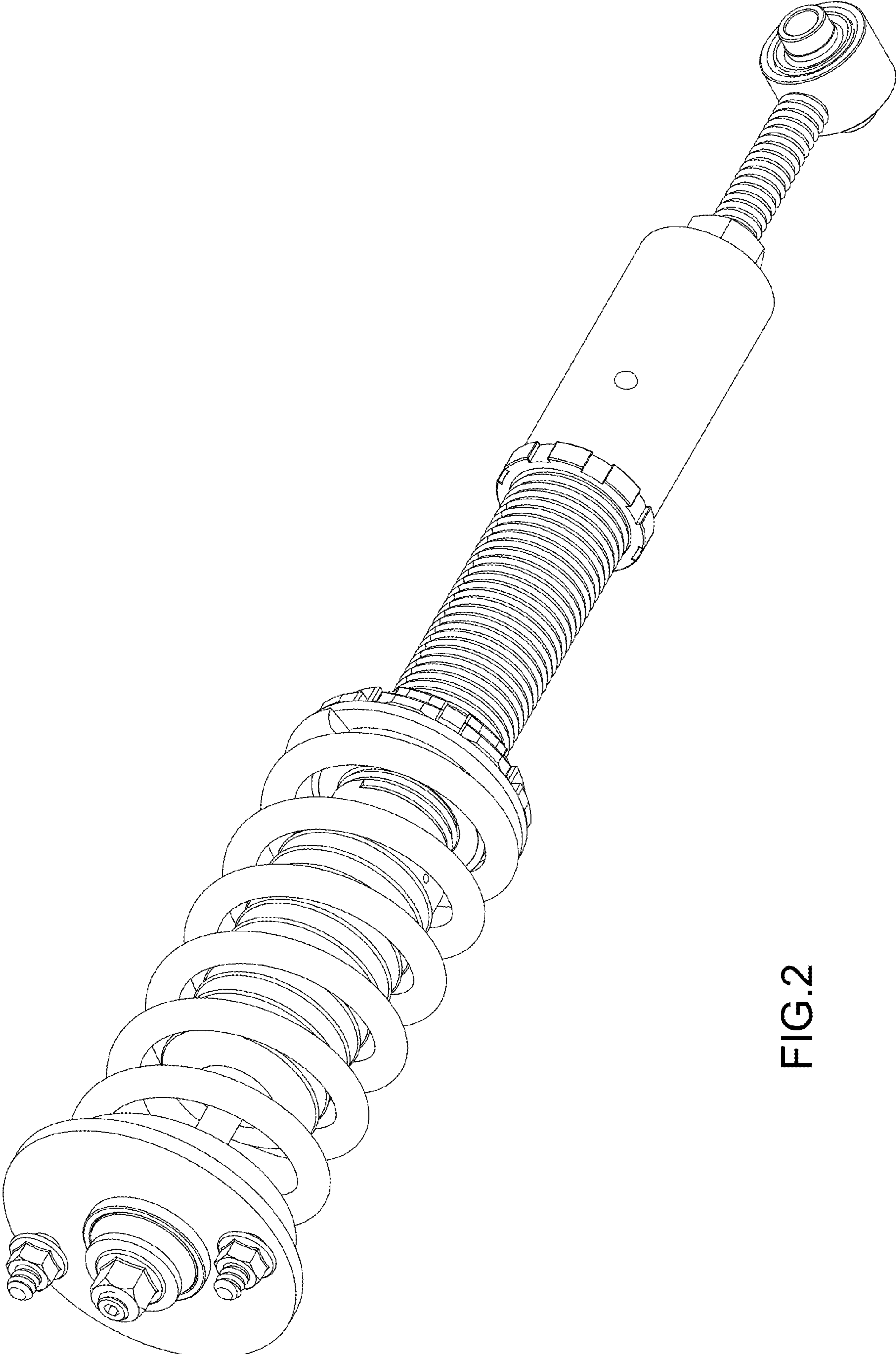
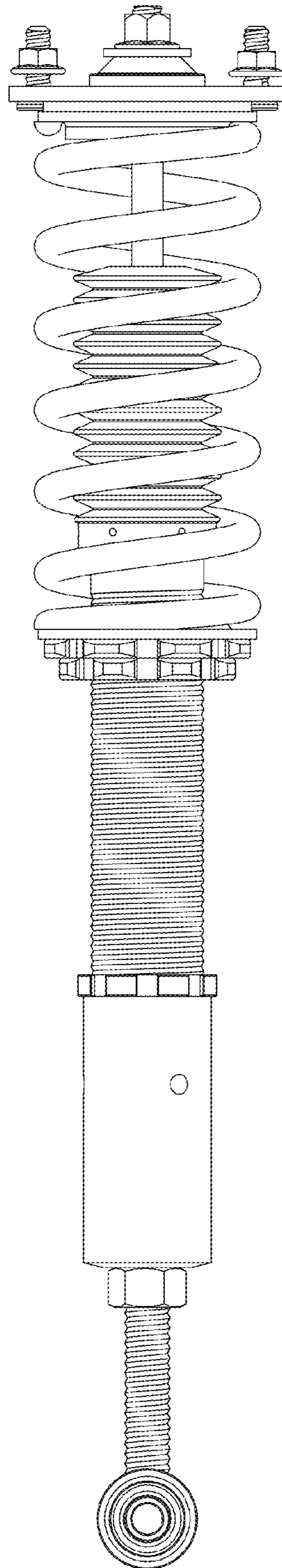
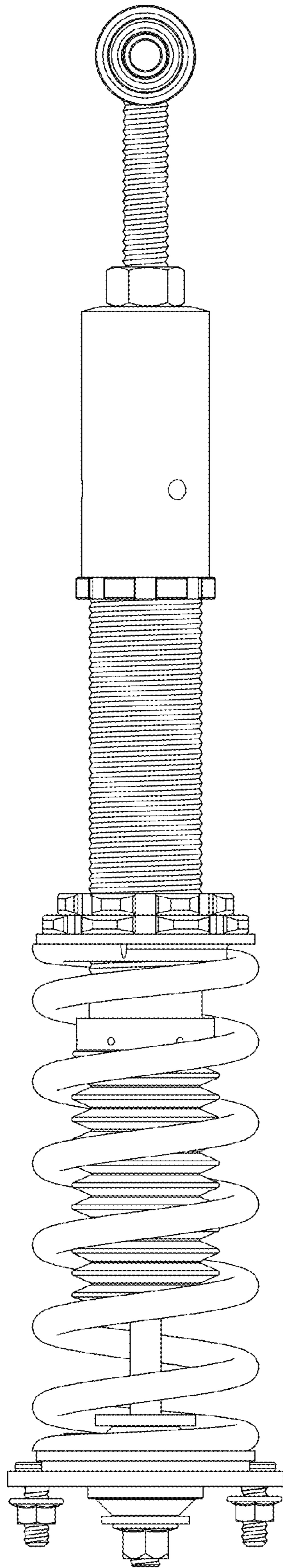


FIG.2



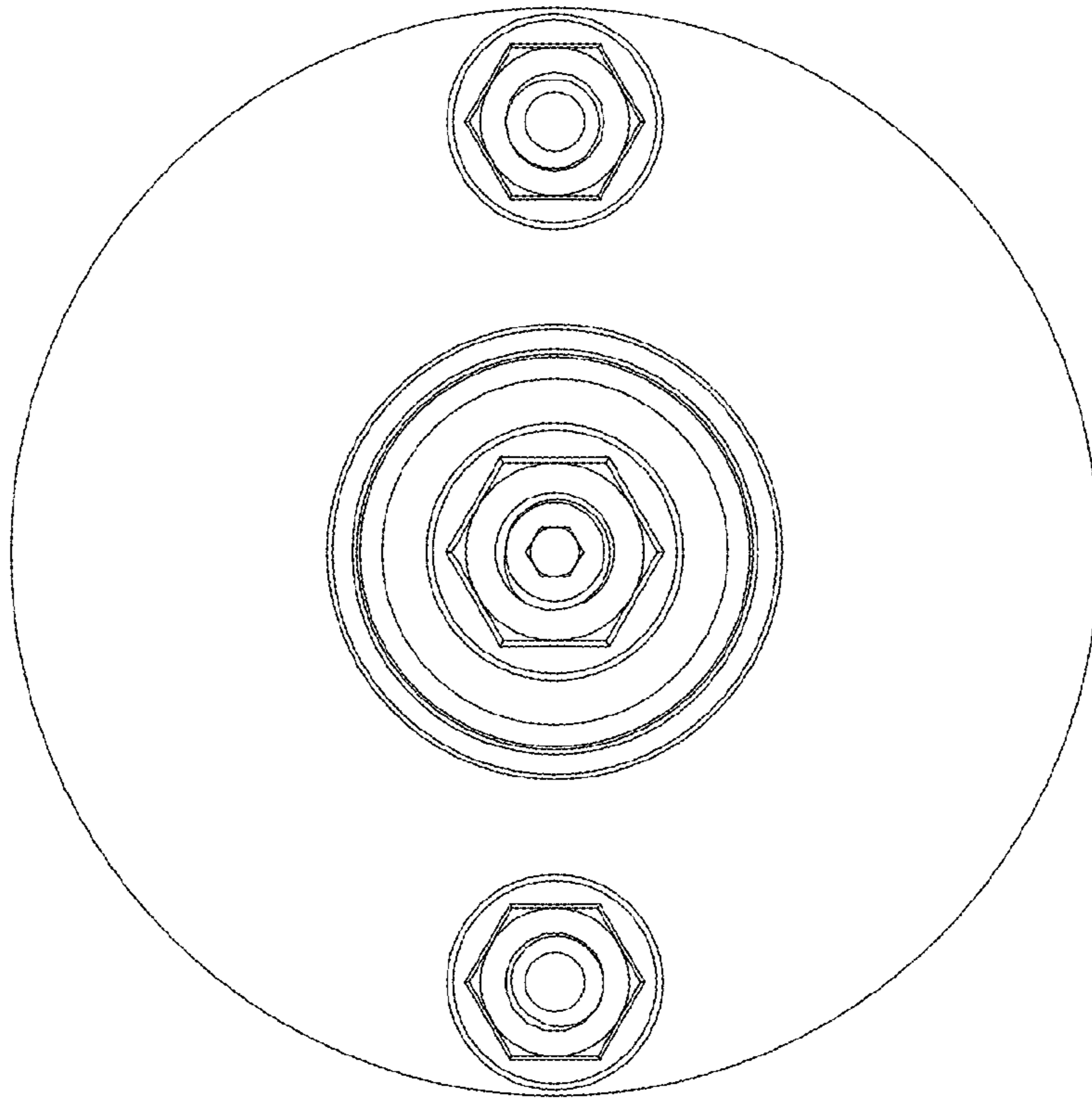


FIG.5

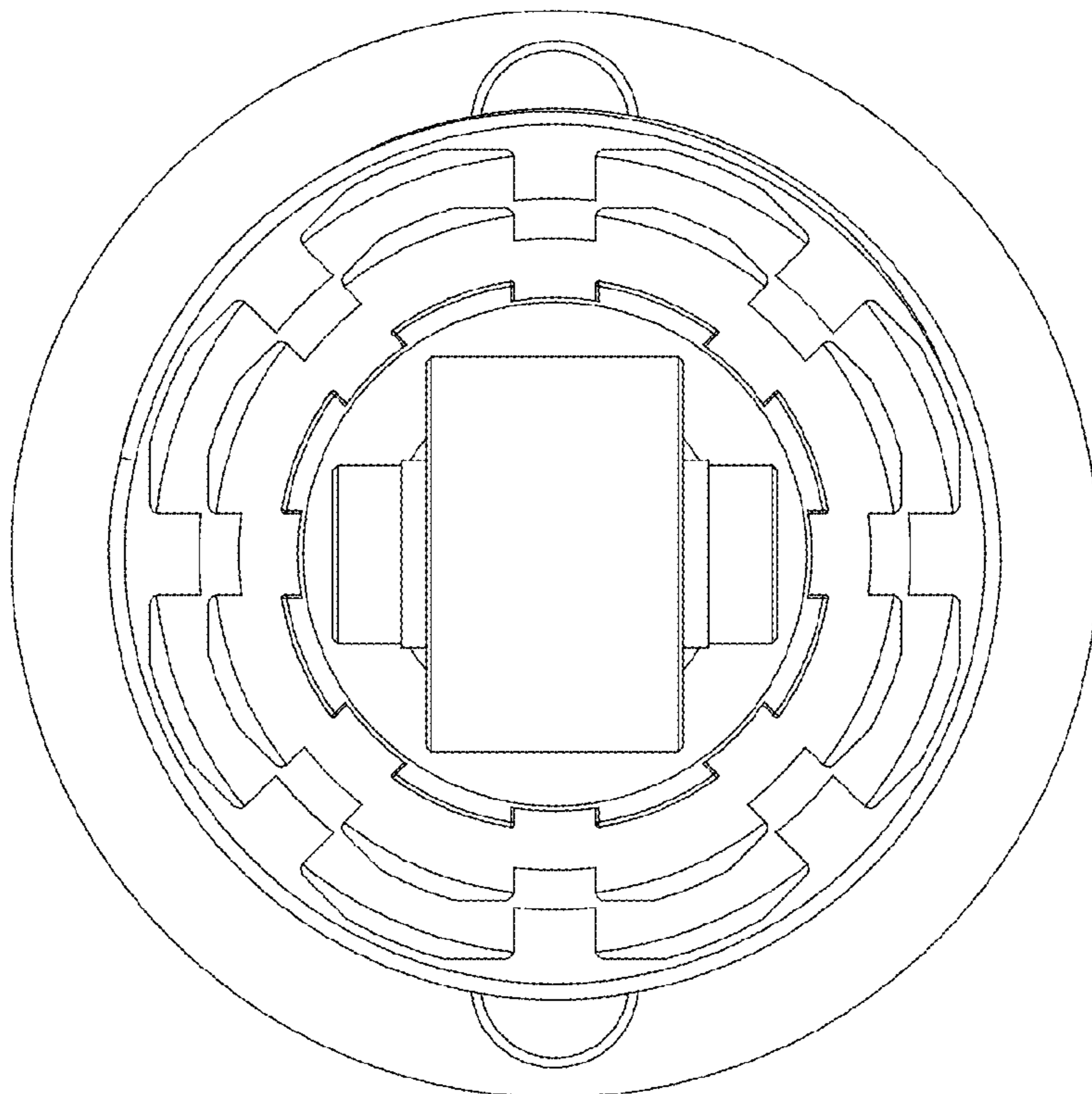


FIG.6

