



US00D948384S

(12) **United States Design Patent**  
**Cai**

(10) **Patent No.:** **US D948,384 S**

(45) **Date of Patent:** **\*\* Apr. 12, 2022**

(54) **ELECTRIC BICYCLE**

(71) Applicant: **WENZHOU AIRUIDE TECHNOLOGY CO., LTD.**, Zhejiang (CN)

(72) Inventor: **Fengyu Cai**, Zhejiang (CN)

(73) Assignee: **WENZHOU AIRUIDE TECHNOLOGY CO., LTD.**, Wenzhou (CN)

(\*\*) Term: **15 Years**

(21) Appl. No.: **29/765,662**

(22) Filed: **Jan. 11, 2021**

(30) **Foreign Application Priority Data**

Dec. 31, 2020 (EM) ..... 008375778-0001

(51) **LOC (13) Cl.** ..... **12-11**

(52) **U.S. Cl.**  
USPC ..... **D12/111**

(58) **Field of Classification Search**  
USPC ..... D12/110, 111, 112, 114, 117, 119  
CPC ... B62K 3/00; B62K 3/02; B62K 5/00; B62K 5/003; B62K 5/007; B62K 5/01; B62K 11/00; B62K 11/02; B62K 11/04; B62K 15/00; B62K 2202/00; B62J 37/00  
See application file for complete search history.

(56) **References Cited**

**U.S. PATENT DOCUMENTS**

D406,253 S \* 3/1999 Yamashita ..... D12/110  
D689,798 S \* 9/2013 Patterson ..... D12/111  
D730,778 S \* 6/2015 Harness ..... D12/111  
D730,779 S \* 6/2015 Arbour ..... D12/111  
D756,264 S \* 5/2016 Thompson ..... D12/111  
D789,836 S \* 6/2017 Gouin ..... D12/111  
D795,747 S \* 8/2017 Bailie ..... D12/111

D807,232 S \* 1/2018 Bailie ..... D12/111  
D807,233 S \* 1/2018 Zhang ..... D12/111  
D890,633 S \* 7/2020 Zhou ..... D12/111  
D898,625 S \* 10/2020 Lin ..... D12/111  
D900,680 S \* 11/2020 Chen ..... D12/111  
D902,084 S \* 11/2020 Gauthier ..... D12/111

(Continued)

**OTHER PUBLICATIONS**

“Folding Electric Fat Tire Bike—Hummer-S” Tesgo., posted date Oct. 4, 2021 [online], [retrieved on Jan. 13, 2021]. Retrieved from the Internet <URL:https://tesgoebike.com/products/hummer-s-electric-folding-fat-bike?variant=39801118556194> (Year: 2021).\*

(Continued)

*Primary Examiner* — Darlington Ly

*Assistant Examiner* — Nasim Abdulaziz Ali

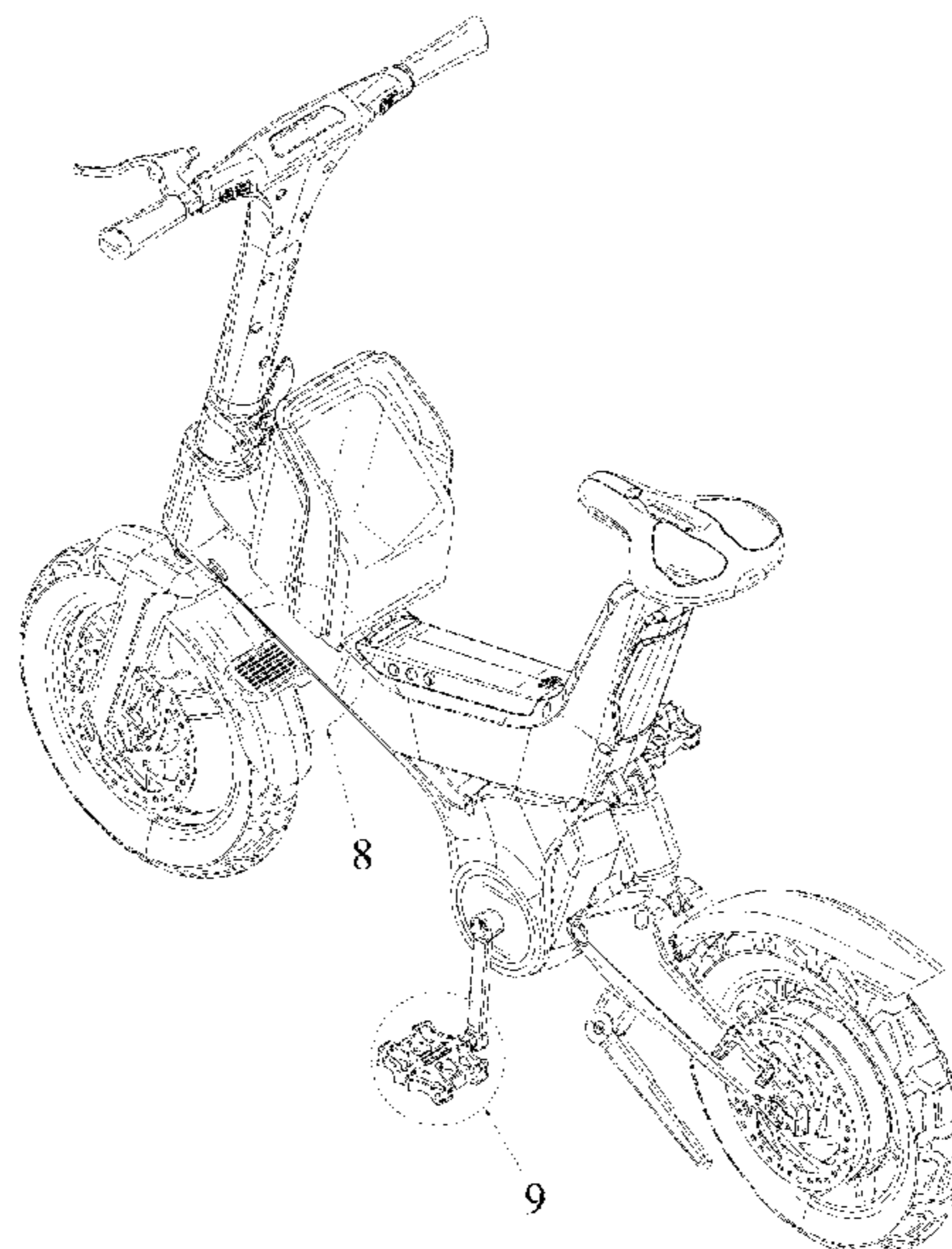
(57) **CLAIM**

The ornamental design for an electric bicycle, as shown and described.

**DESCRIPTION**

FIG. 1 is a perspective view of an electric bicycle showing my new design;  
FIG. 2 is a left side elevation view thereof;  
FIG. 3 is a right side elevation view thereof;  
FIG. 4 is a front elevation view thereof;  
FIG. 5 is a rear elevation view thereof;  
FIG. 6 is a top plan view thereof;  
FIG. 7 is a bottom plan view thereof;  
FIG. 8 is an enlarged view of the portion 8 in FIG. 1;  
FIG. 9 is an enlarged view of the portion 9 in FIG. 1;  
FIG. 10 is an enlarged view of the portion 10 in FIG. 2; and,  
FIG. 11 is an enlarged view of the portion 11 in FIG. 5.  
The broken lines shown on the drawings depict portions of the electric bicycle that form no part of the claimed design.

**1 Claim, 11 Drawing Sheets**



(56)

**References Cited**

U.S. PATENT DOCUMENTS

D909,920 S \* 2/2021 Zhu ..... D12/111  
D914,548 S \* 3/2021 Chen ..... D12/111  
D914,549 S \* 3/2021 Chen ..... D12/111  
D915,244 S \* 4/2021 Chen ..... D12/111  
D918,778 S \* 5/2021 Shi ..... D12/111  
D928,668 S \* 8/2021 Li ..... D12/111  
D929,269 S \* 8/2021 Chen ..... D12/111  
D933,538 S \* 10/2021 Chen ..... D12/111  
2020/0407013 A1 \* 12/2020 Corbett ..... B62M 6/50

OTHER PUBLICATIONS

“GB500 MAG” Green Bike USA., posted date May 19, 2015 [online], [retrieved on Jan. 13, 2021]. Retrieved from the Internet <URL:<https://www.greenbikeusa.com/products/gb-500-mag>> (Year: 2015).\*

“ZHENGBU 16" K6 Commute Folding Electric Bike” Zhengbu., posted date Sep. 4, 2021 [online], [retrieved on Jan. 13, 2021]. Retrieved from the Internet <URL:<https://zbebikes.com/collections/all-products/products/zhengbu-16inch-k6>> (Year: 2021).\*

\* cited by examiner

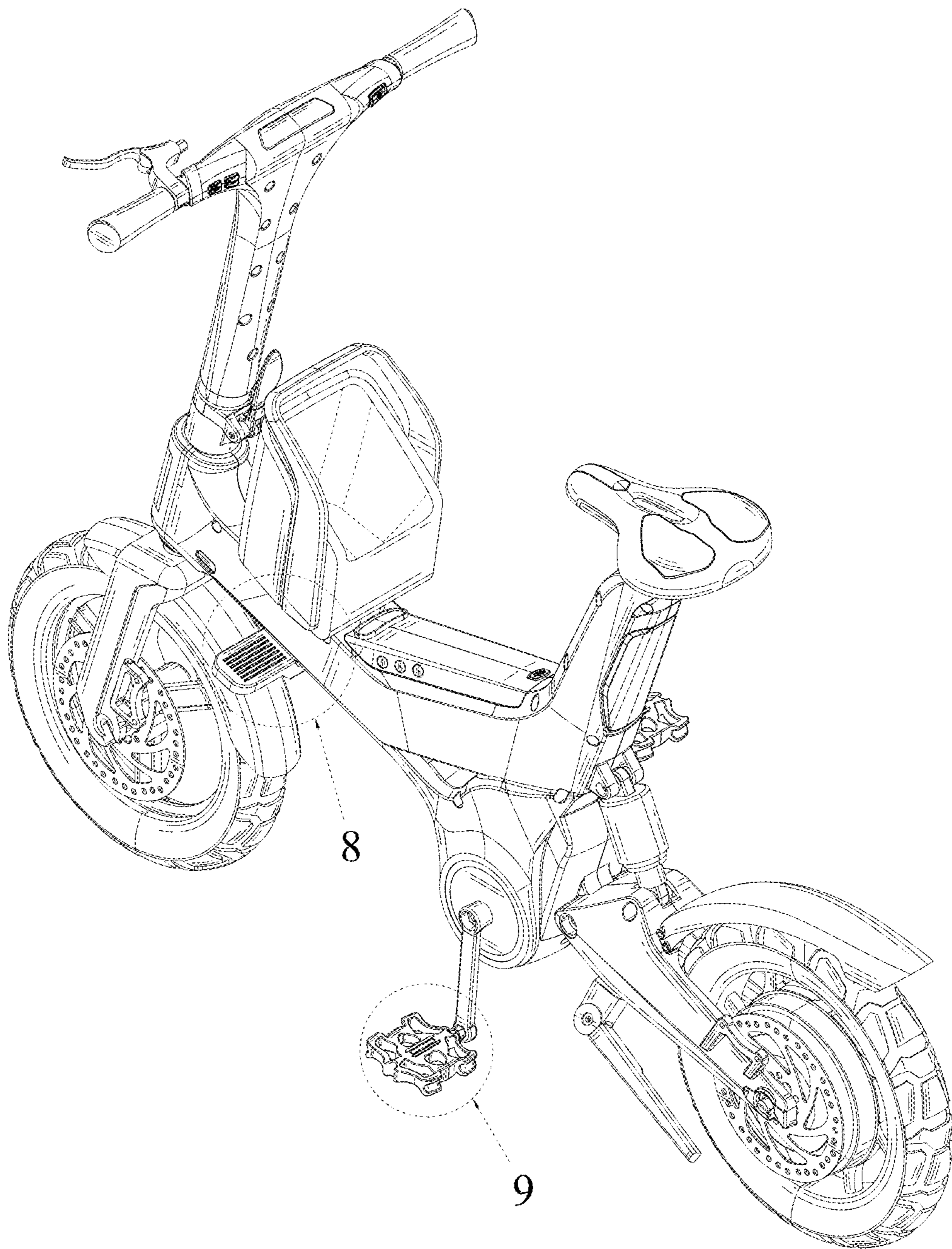


FIG. 1





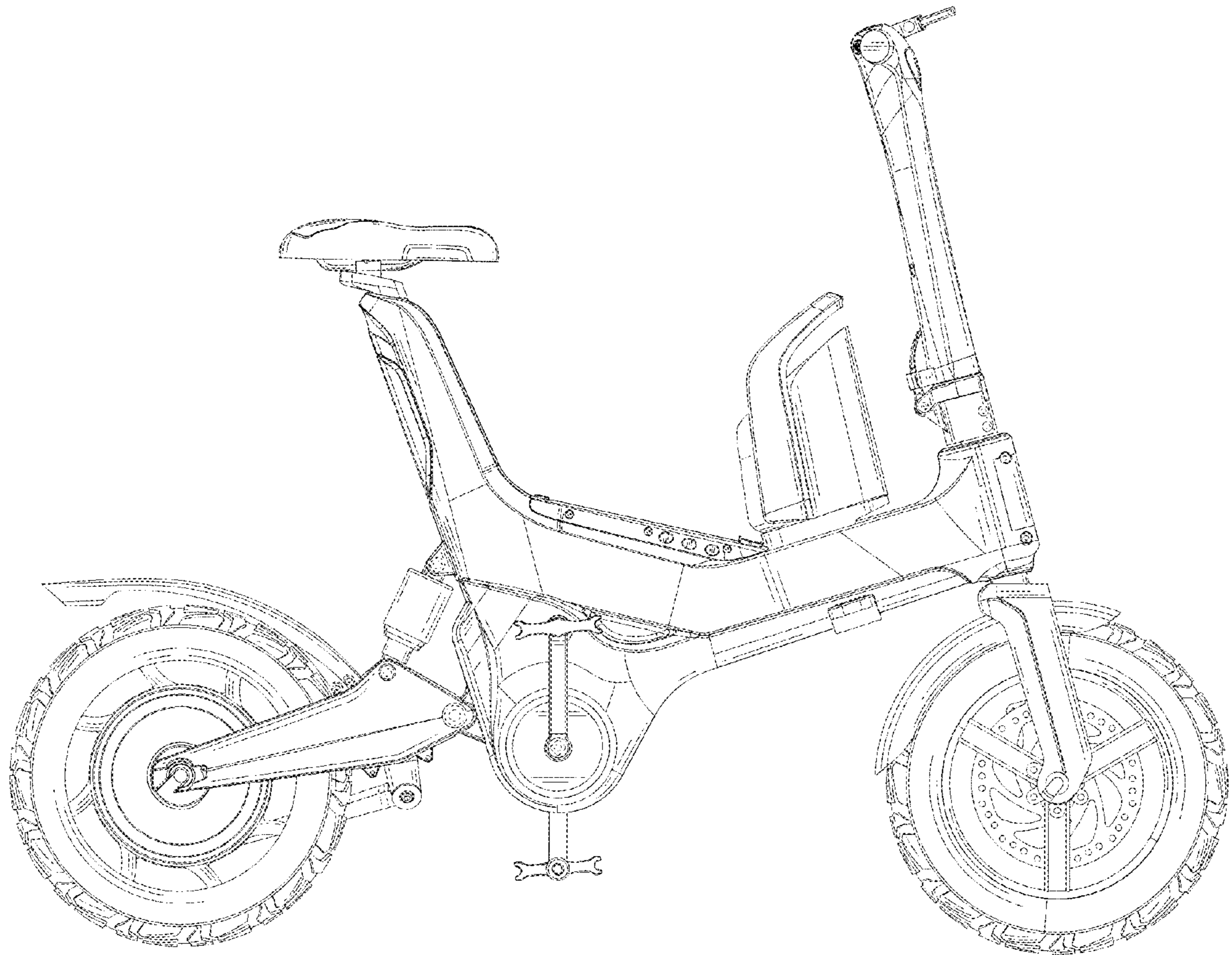


FIG. 3

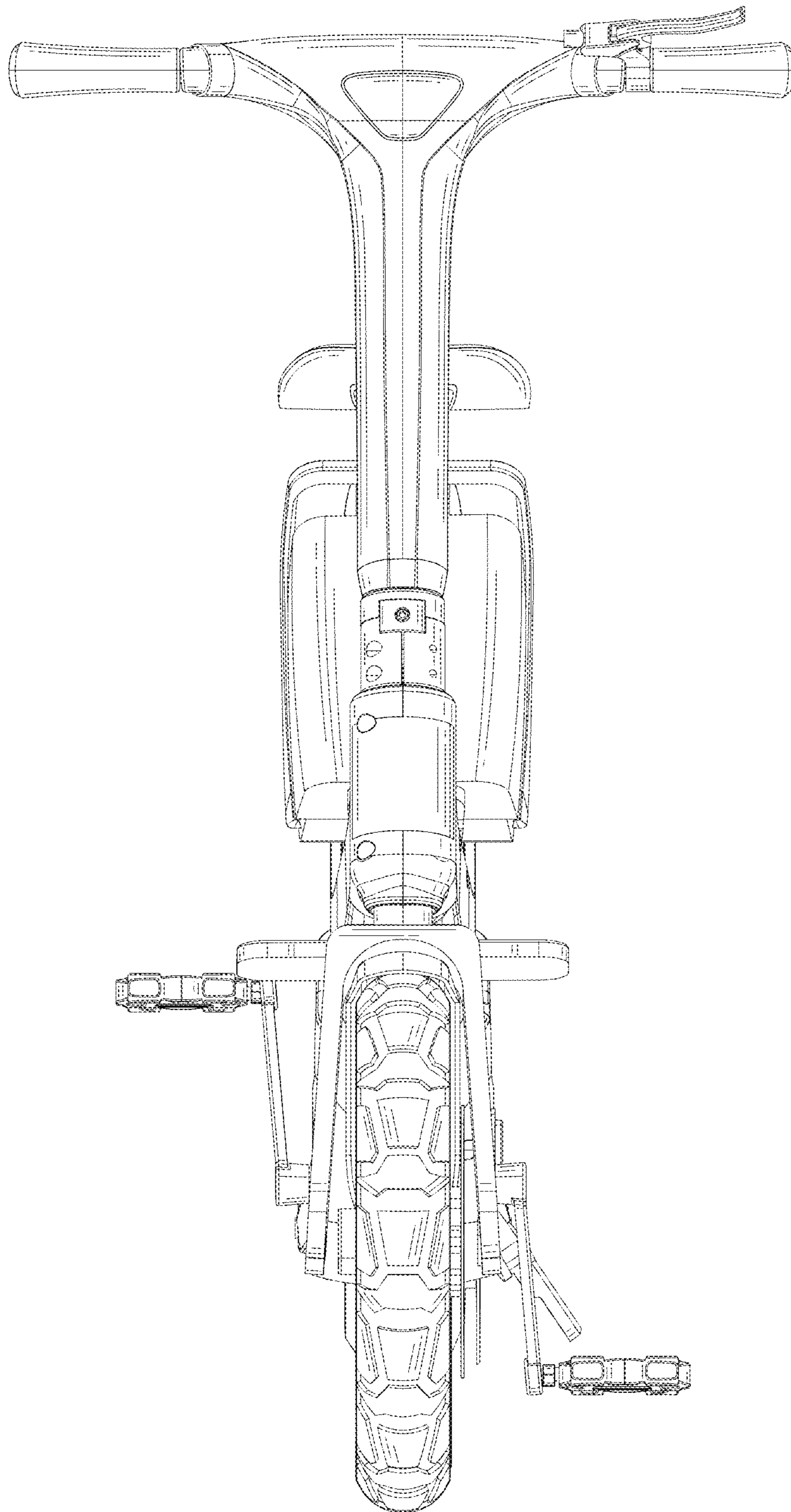


FIG. 4



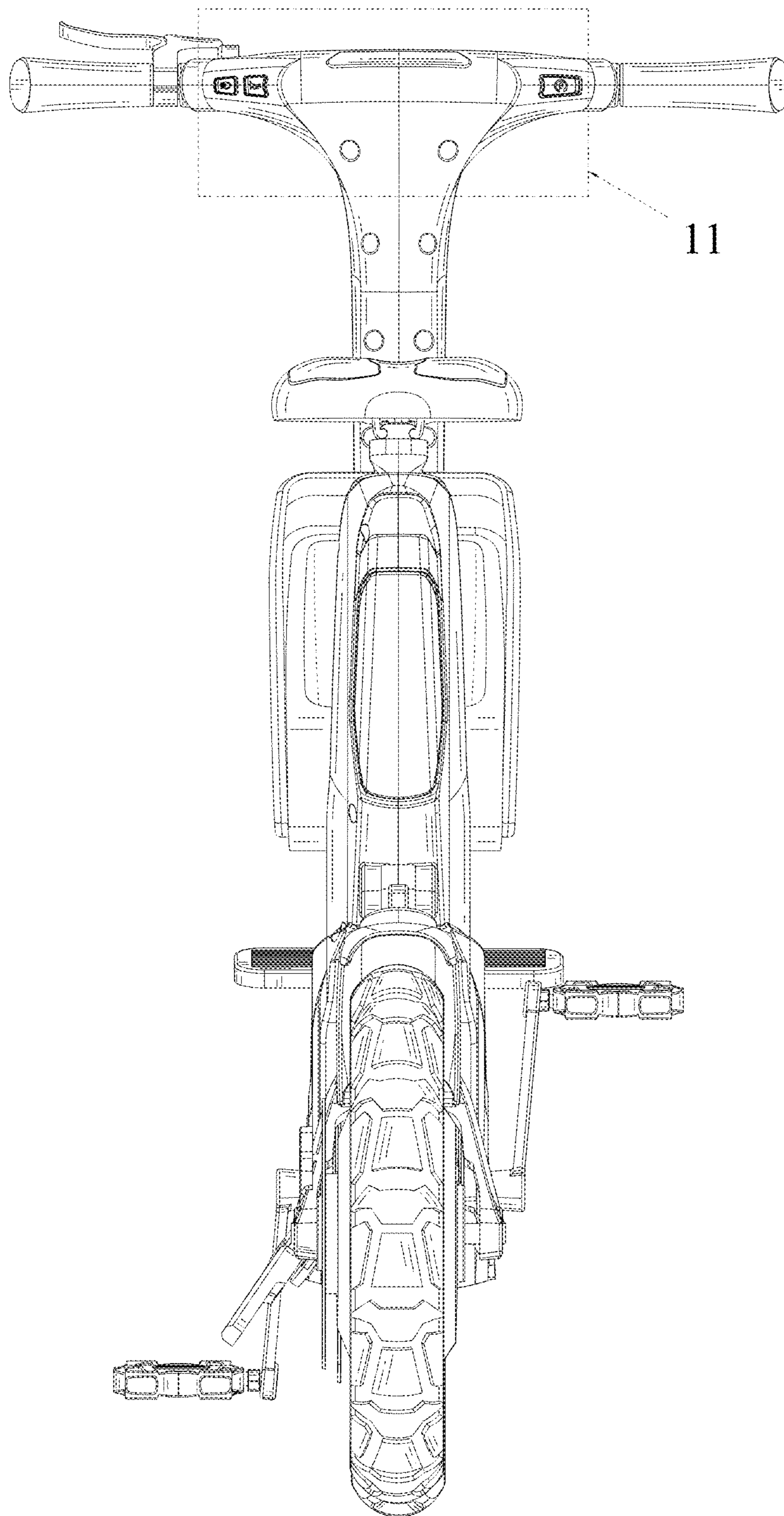


FIG. 5

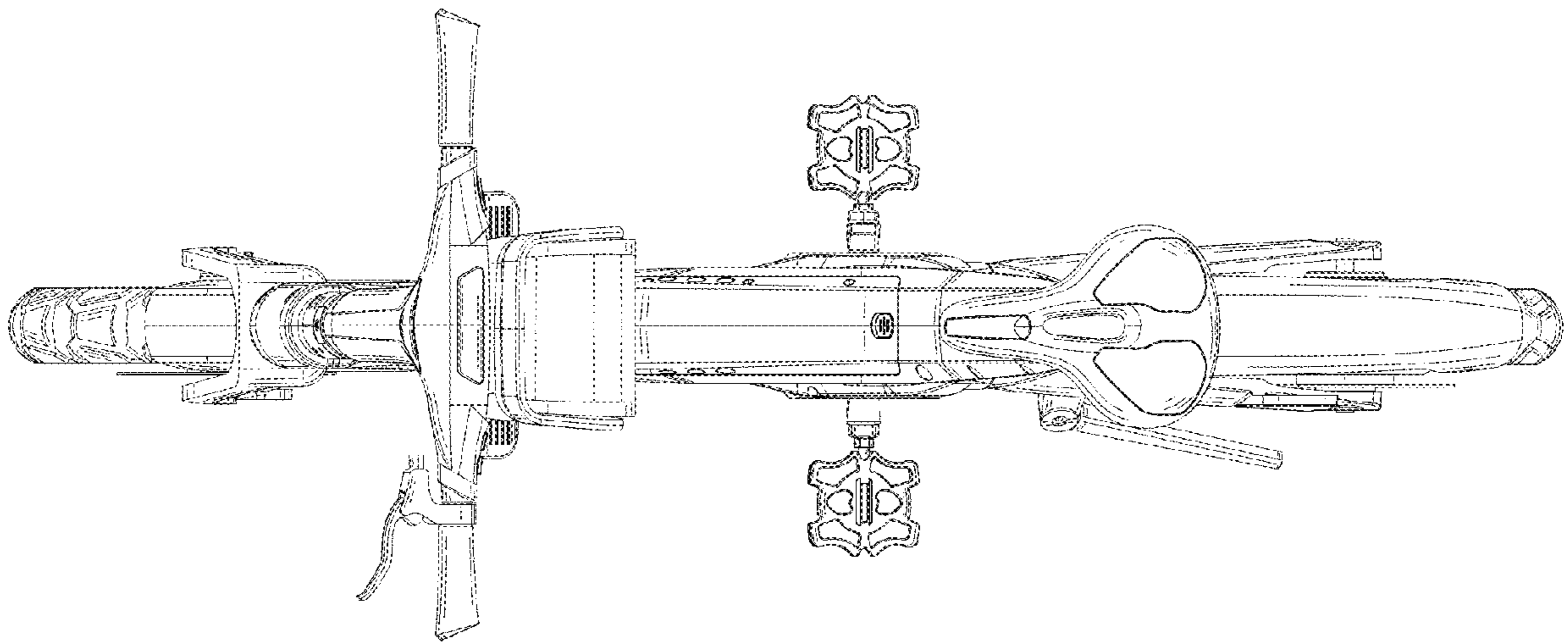


FIG. 6



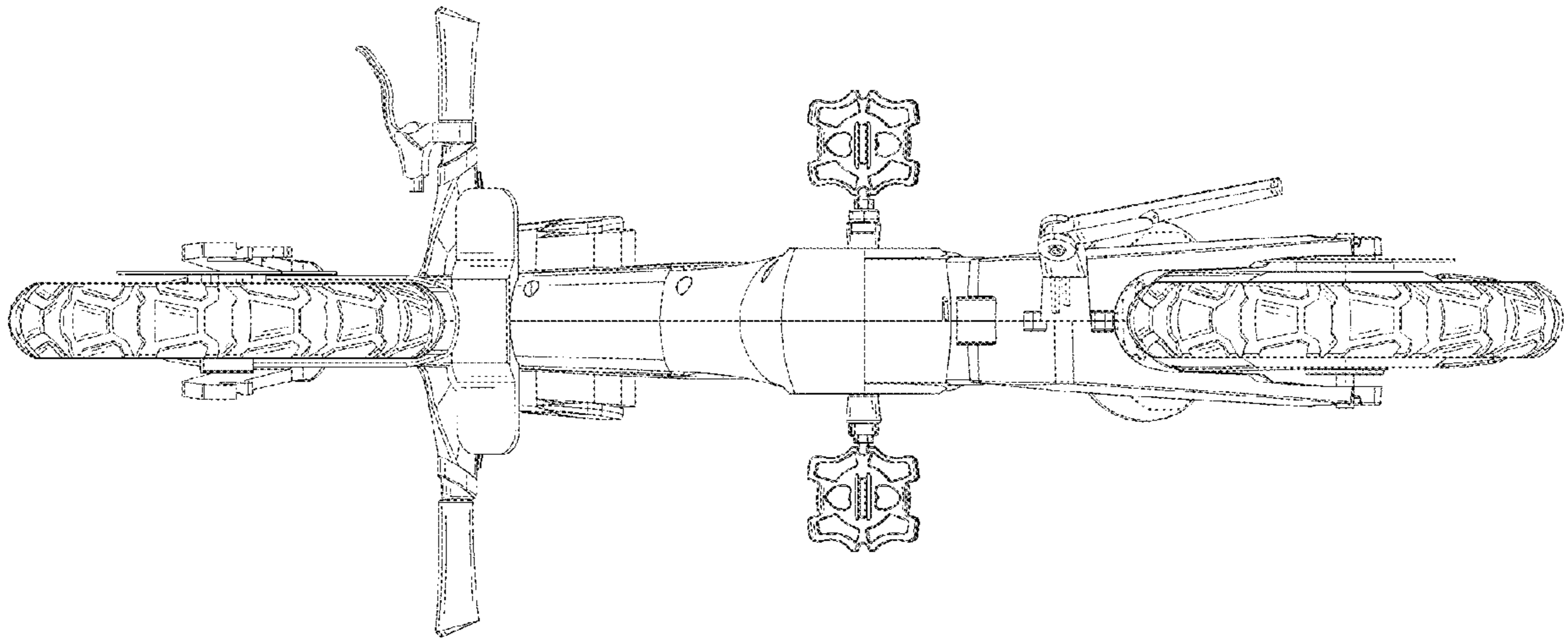


FIG. 7

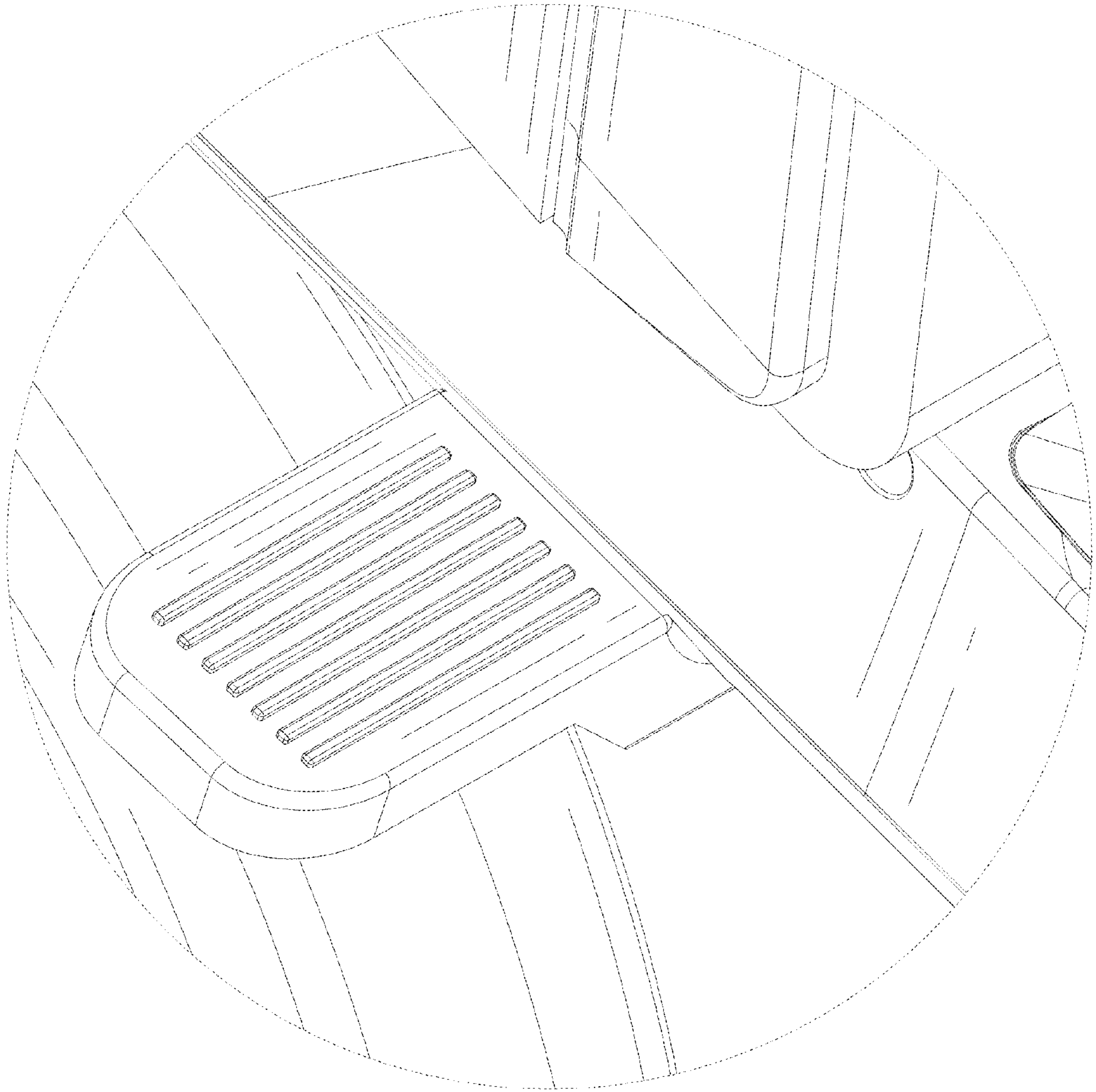


FIG. 8

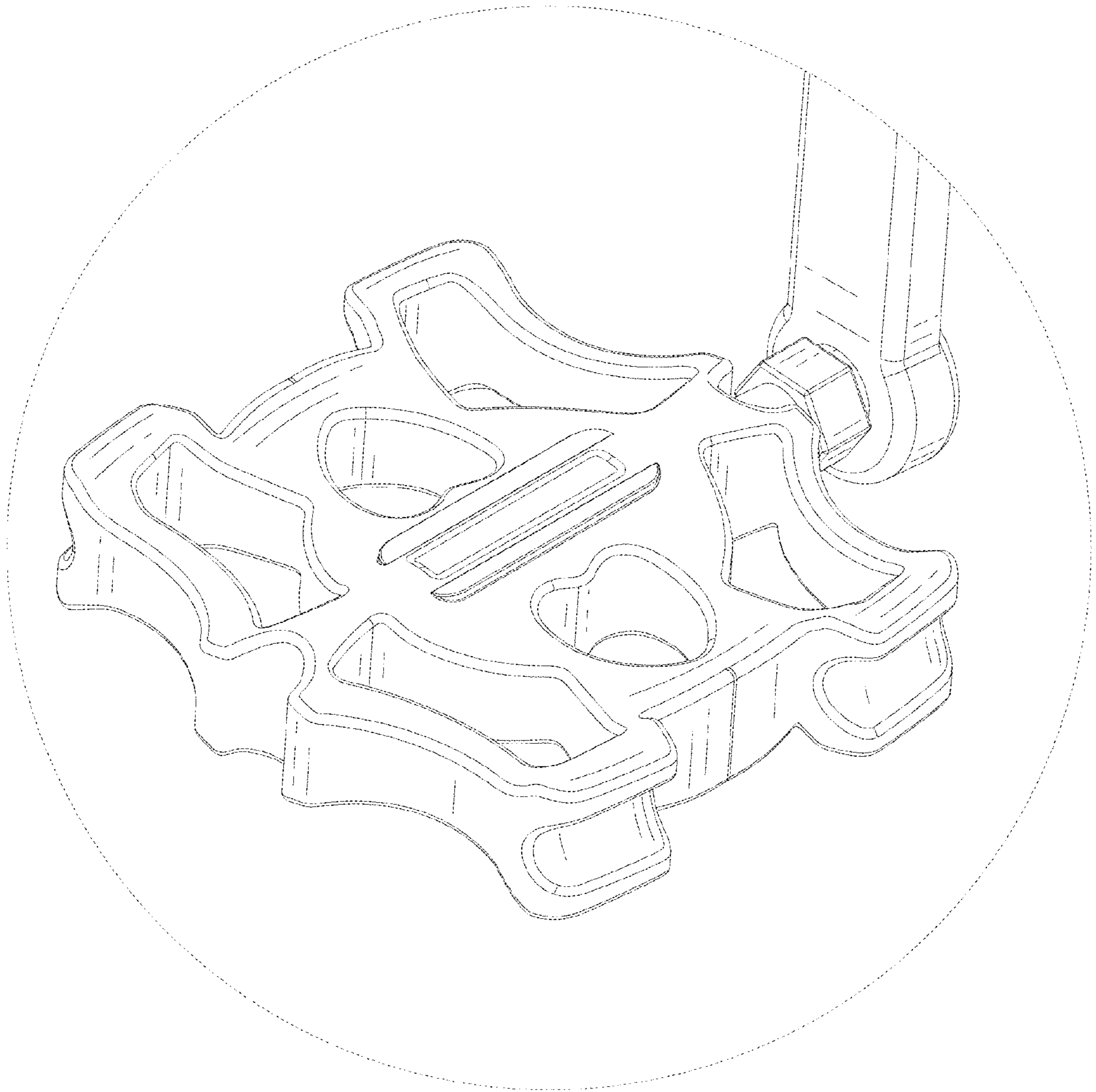


FIG. 9



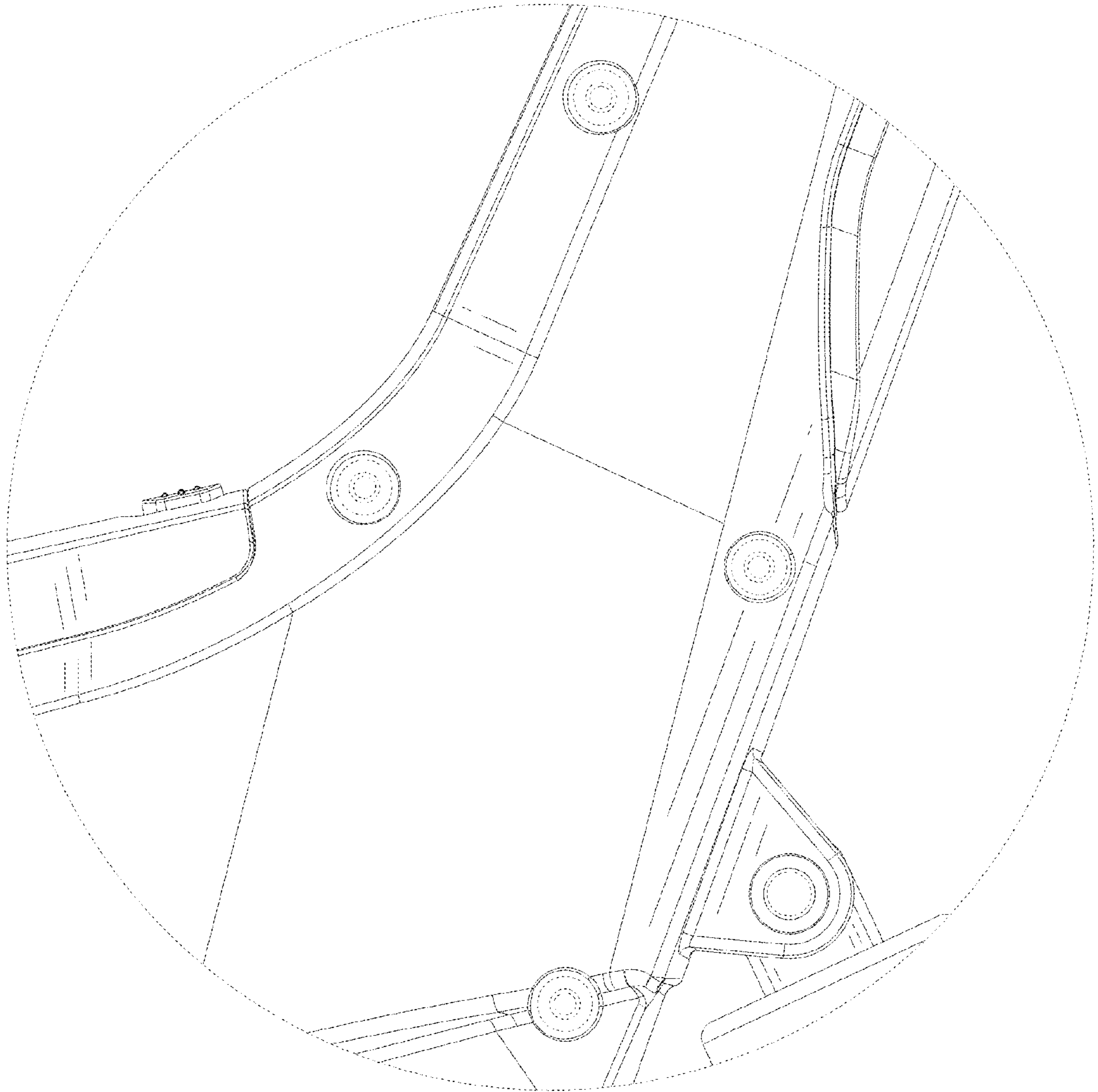


FIG. 10

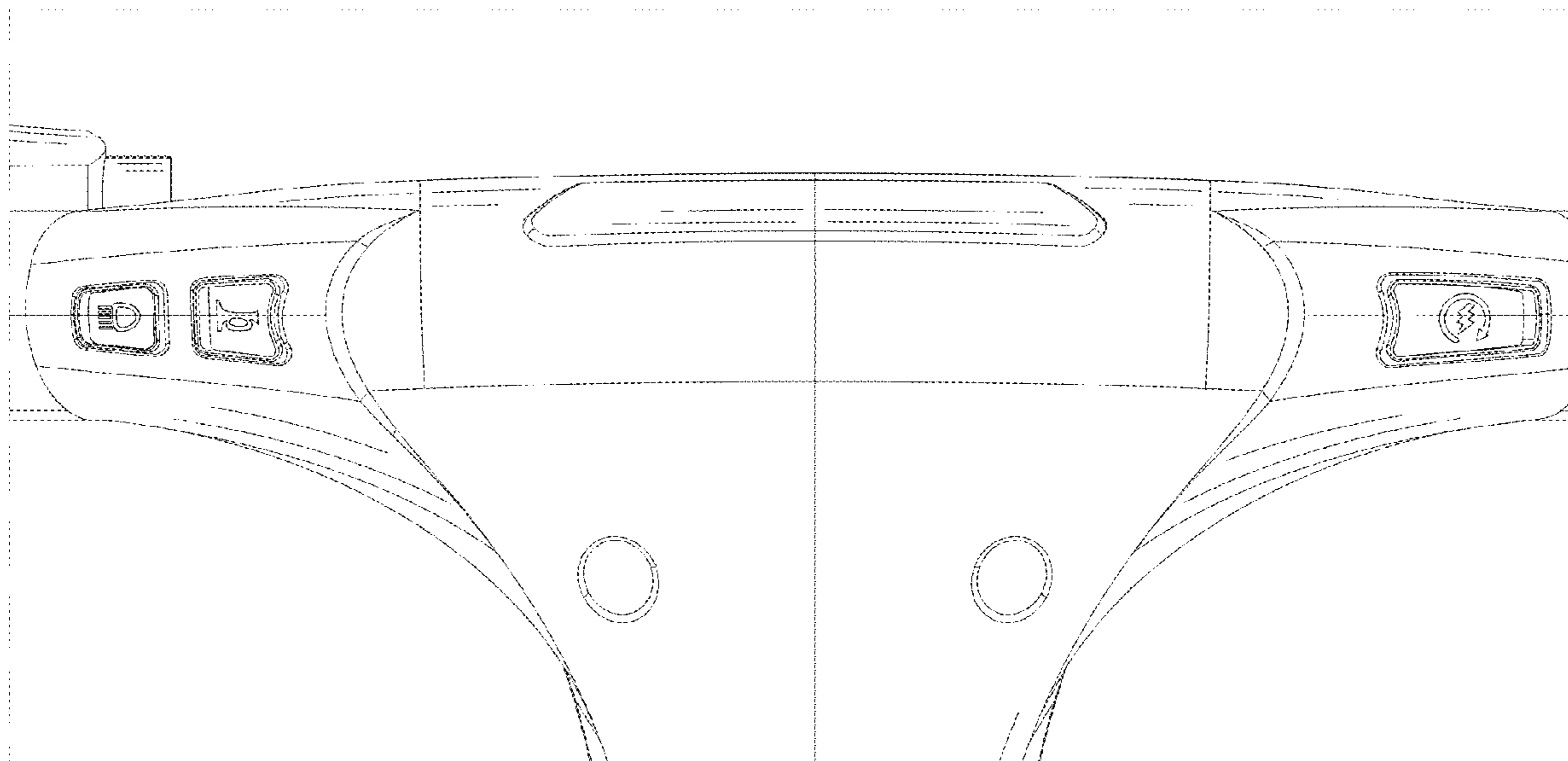


FIG. 11