



US00D948382S

(12) **United States Design Patent** (10) **Patent No.:** **US D948,382 S**  
**Ytterborn et al.** (45) **Date of Patent:** **\*\* Apr. 12, 2022**

(54) **ELECTRIC MOTORCYCLE**  
(71) Applicant: **Cake 0 emission AB**, Stockholm (SE)  
(72) Inventors: **Stefan Ytterborn**, Stockholm (SE);  
**David Gonzales**, Stockholm (SE);  
**Oskar Milke**, Stockholm (SE); **Marcus Carlsson**, Stockholm (SE)  
(73) Assignee: **Cake 0 emission AB**, Stockholm (SE)

D774,980 S \* 12/2016 Duehring ..... D12/111  
D776,577 S \* 1/2017 Greiner ..... D12/111  
D798,771 S \* 10/2017 Pomerantz ..... D12/114  
D809,994 S \* 2/2018 Braddock, III ..... D12/400  
D833,916 S \* 11/2018 Yu ..... D12/111  
D852,679 S \* 7/2019 Deltour ..... D12/114  
D858,363 S \* 9/2019 Hoshino ..... D12/117  
D868,636 S \* 12/2019 Ytterborn ..... D12/110  
D901,336 S \* 11/2020 Kuehne ..... D12/111  
D920,852 S \* 6/2021 Ytterborn ..... D12/110

(Continued)

(\*\*) Term: **15 Years**

**OTHER PUBLICATIONS**

(21) Appl. No.: **29/779,899**

“Ösa flex” Cake., posted date Jan. 26, 2018 [online], [retrieved on Dec. 29, 2021]. Retrieved from the Internet: <URL: <https://ridecake.com/en/shop/bikes/explore-and-commute-series/osa-flex/>> (Year: 2018).\*

(22) Filed: **Apr. 21, 2021**

(Continued)

**Related U.S. Application Data**

(62) Division of application No. 29/711,881, filed on Nov. 4, 2019, now Pat. No. Des. 920,852.

*Primary Examiner* — Darlington Ly

*Assistant Examiner* — Nasim Abdulaziz Ali

(30) **Foreign Application Priority Data**

(74) *Attorney, Agent, or Firm* — Tucker Ellis LLP

May 6, 2019 (EM) ..... 006428256

(57) **CLAIM**

(51) **LOC (13) Cl.** ..... **12-11**

The ornamental design for an electric motorcycle, as shown and described.

(52) **U.S. Cl.**  
USPC ..... **D12/110**

(58) **Field of Classification Search**  
USPC ..... D12/110, 111, 117; D21/432, 532  
CPC . B62K 11/00; B62K 11/1102; B62K 11/1104;  
B62K 11/111; B62K 11/17; B62K 11/19;  
B62K 11/2202  
See application file for complete search history.

**DESCRIPTION**

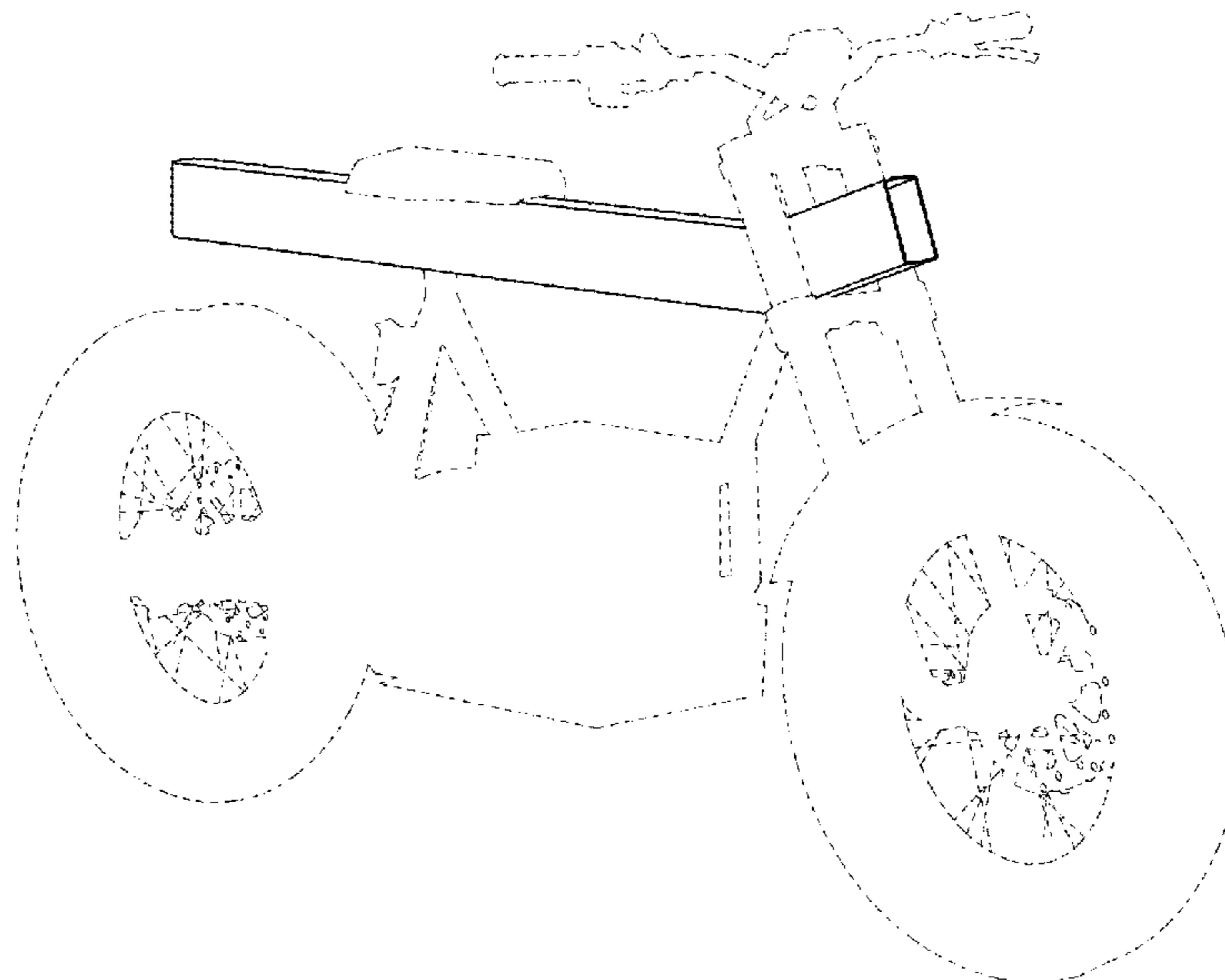
FIG. 1 is a front and right side perspective view of an electric motorcycle embodying our new design;  
FIG. 2 is a left side elevation view thereof;  
FIG. 3 is a right side elevation view thereof;  
FIG. 4 is a front elevation view thereof;  
FIG. 5 is a rear elevation view thereof;  
FIG. 6 is a top plan view thereof; and,  
FIG. 7 is a bottom plan view thereof.  
The broken lines in the drawings illustrate portions of the electric motorcycle that form no part of the claimed design.

(56) **References Cited**

**U.S. PATENT DOCUMENTS**

D507,210 S \* 7/2005 Kuchenbrod ..... D12/111  
D556,092 S \* 11/2007 Green ..... D12/108  
D590,750 S \* 4/2009 Hays ..... D12/111  
D774,967 S \* 12/2016 O’ Sullivan ..... D12/111

**1 Claim, 4 Drawing Sheets**



(56)

**References Cited**

U.S. PATENT DOCUMENTS

D927,985 S \* 8/2021 Knobel ..... D9/711

OTHER PUBLICATIONS

“Ösa Flex” Cake., posted date Nov. 4, 2021 [online], [retrieved on Dec. 29, 2021]. Retrieved from the Internet: <URL: <https://ride-0.com/en/shop/cake-bikes-en/oesa-en/oesa-flex/>> (Year: 2021).\*

“Swedish electric motorbike maker Cake” Cake., posted date Sep. 27, 2021 [online], [retrieved on Dec. 29, 2021]. Retrieved from the Internet: <URL: <https://electrek.co/2021/09/27/swedish-electric-motorbike-maker-cake-lands-60m-funding-round/>> (Year: 2021).\*

“Summit Racing SUM-TSR2X3-12090” Summit Racing., posted date Jun. 20, 2016 [online], [retrieved on Jan. 11, 2022]. Retrieved from the Internet: <URL: [https://www.summitracing.com/parts/sumtsr2x3-12090?seid=srese1&gclid=EAIaIQobChMI0Iza-JaZ9QIVT-TICh11QgPGEAsYAyABEgLNlvd\\_BwE](https://www.summitracing.com/parts/sumtsr2x3-12090?seid=srese1&gclid=EAIaIQobChMI0Iza-JaZ9QIVT-TICh11QgPGEAsYAyABEgLNlvd_BwE)> (Year: 2016).\*

“Pipe & Tube Bending” JAPS., posted date May 20, 2018 [online], [retrieved on Jan. 11, 2022]. Retrieved from the Internet: <URL: <https://www.japs.co.za/products-services/bending/pipe-tube-bending-manipulation/>> (Year: 2018).\*

“U-Shape CNC Tube Bending Service” Indiamart., posted date Jul. 10, 2013 [online], [retrieved on Jan. 11, 2022]. Retrieved from the Internet: <URL: <https://www.indiamart.com/proddetail/cnc-tube-bending-service-21079546091.html>> (Year: 2013).\*

“E-Bend-Waveguide-From-Hexu-Microwave” MadeinChina., posted date Aug. 8, 2017 [online], [retrieved on Jan. 11, 2022]. Retrieved from the Internet: <URL: <https://m.made-in-china.com/product/E-Bend-Waveguide-From-Hexu-Microwave-781471845.html>> (Year: 2017).\*

“Pipe Bending and Tube Bending” Jorgenson Metal., posted date Aug. 10, 2010 [online], [retrieved on Jan. 11, 2022]. Retrieved from the Internet: <URL: <https://www.jorgensonrolling.com/pipe-and-tube-bending.html>> (Year: 2010).\*

“Mandrel Samples” Ercolina., posted date Jun. 7, 2012 [online], [retrieved on Jan. 11, 2022]. Retrieved from the Internet: <URL: <https://ercolina-usa.com/resources/bend-sample-gallery/mandrel-samples/>> (Year: 2012).\*

\* cited by examiner

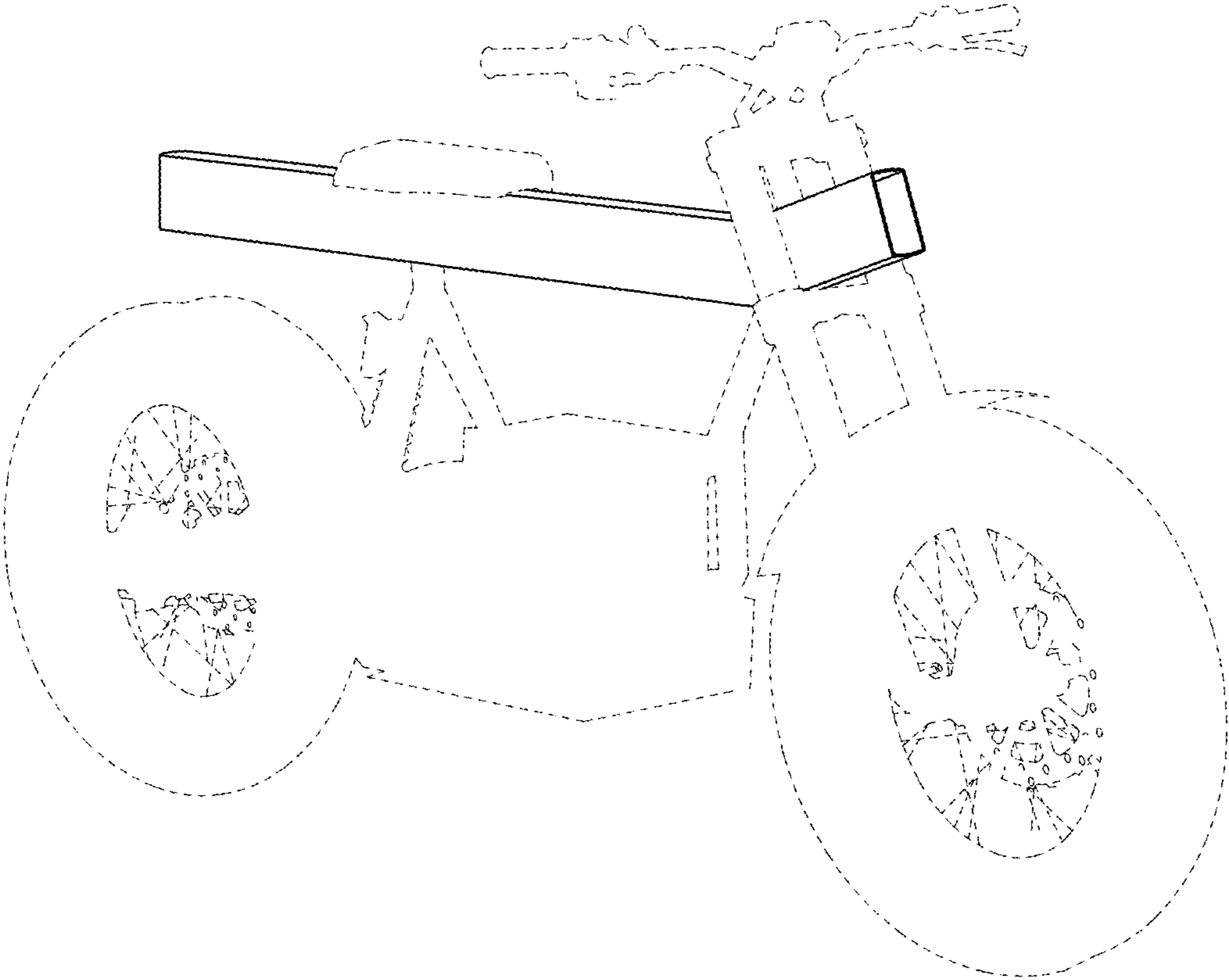


FIG. 1

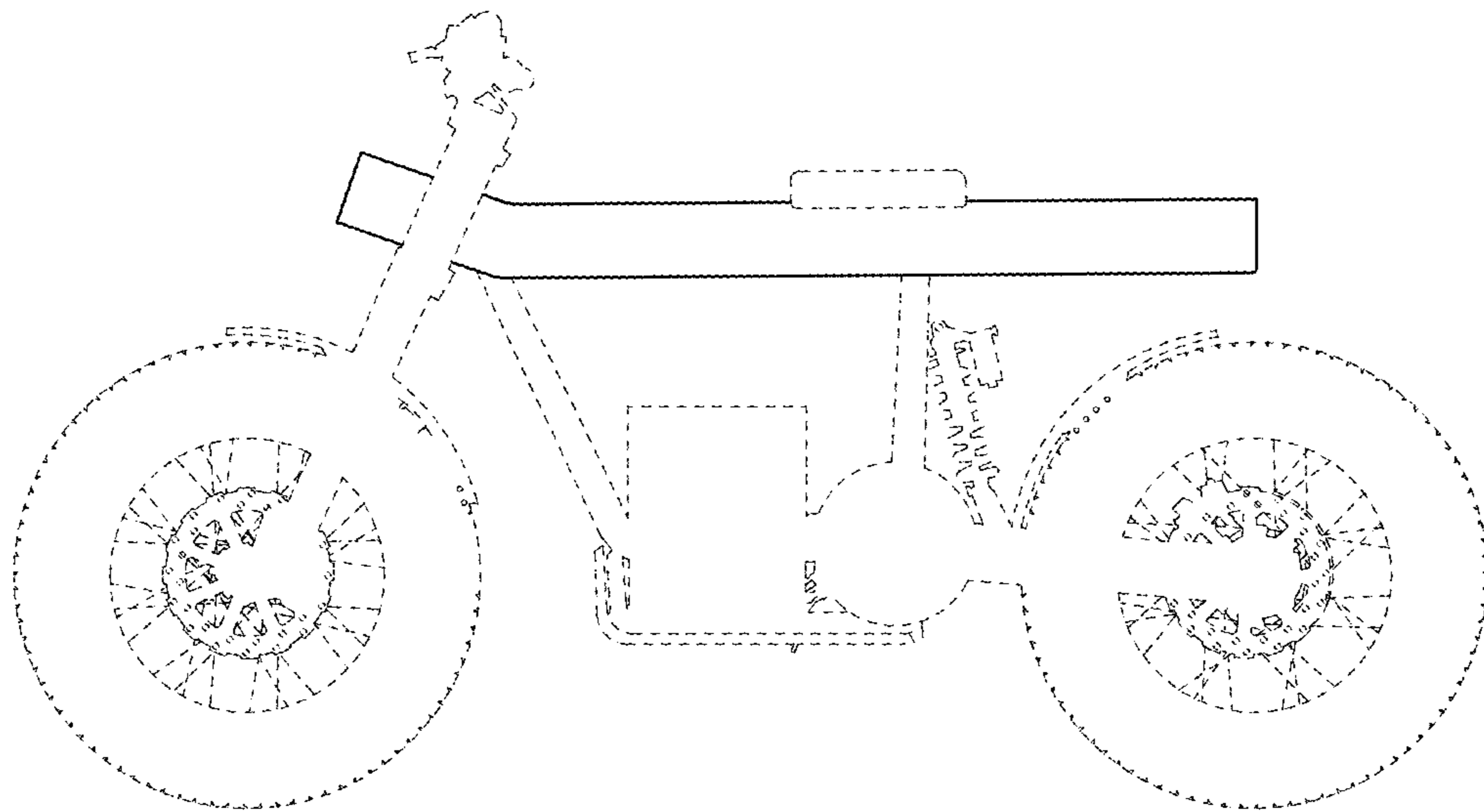


FIG. 2

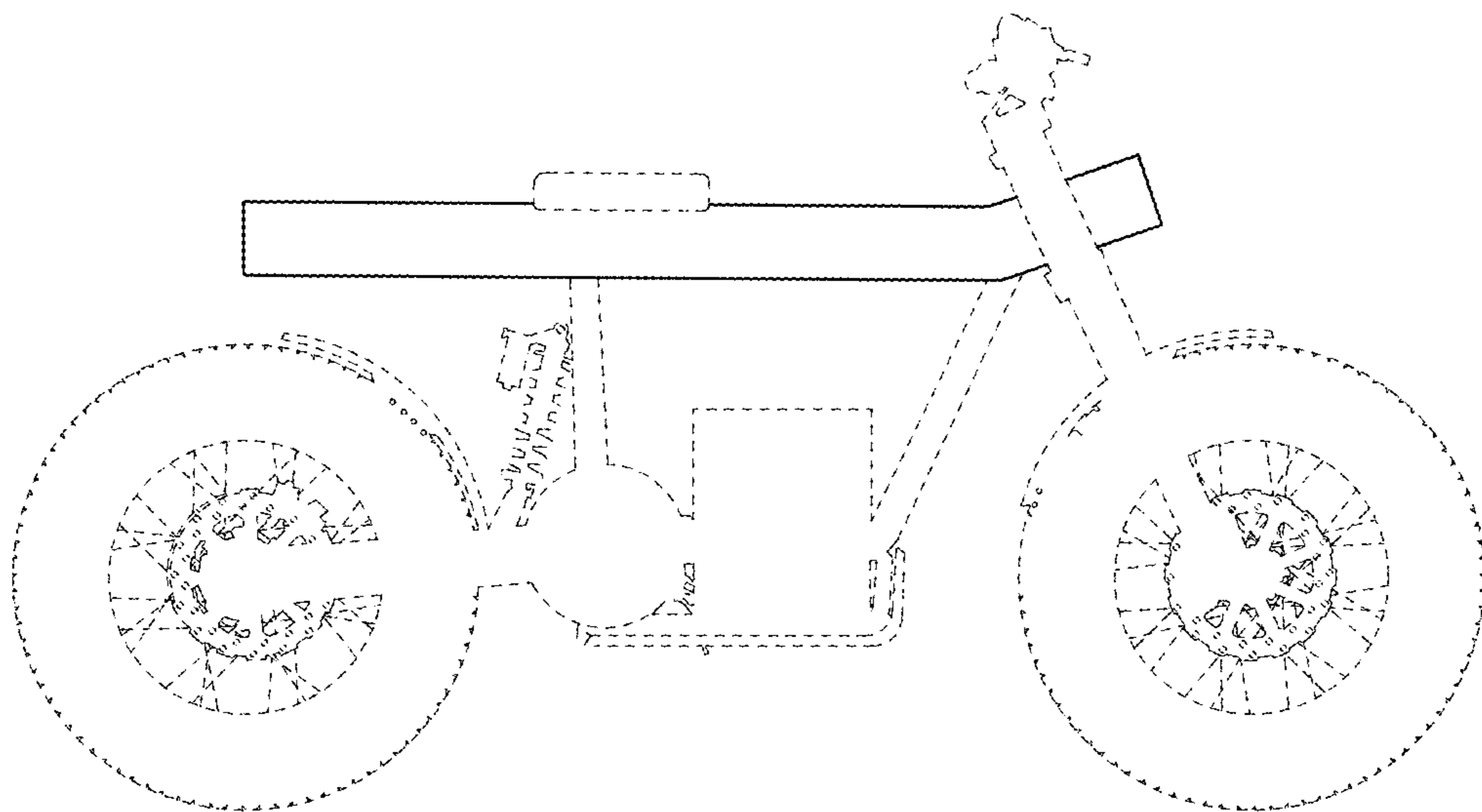


FIG. 3

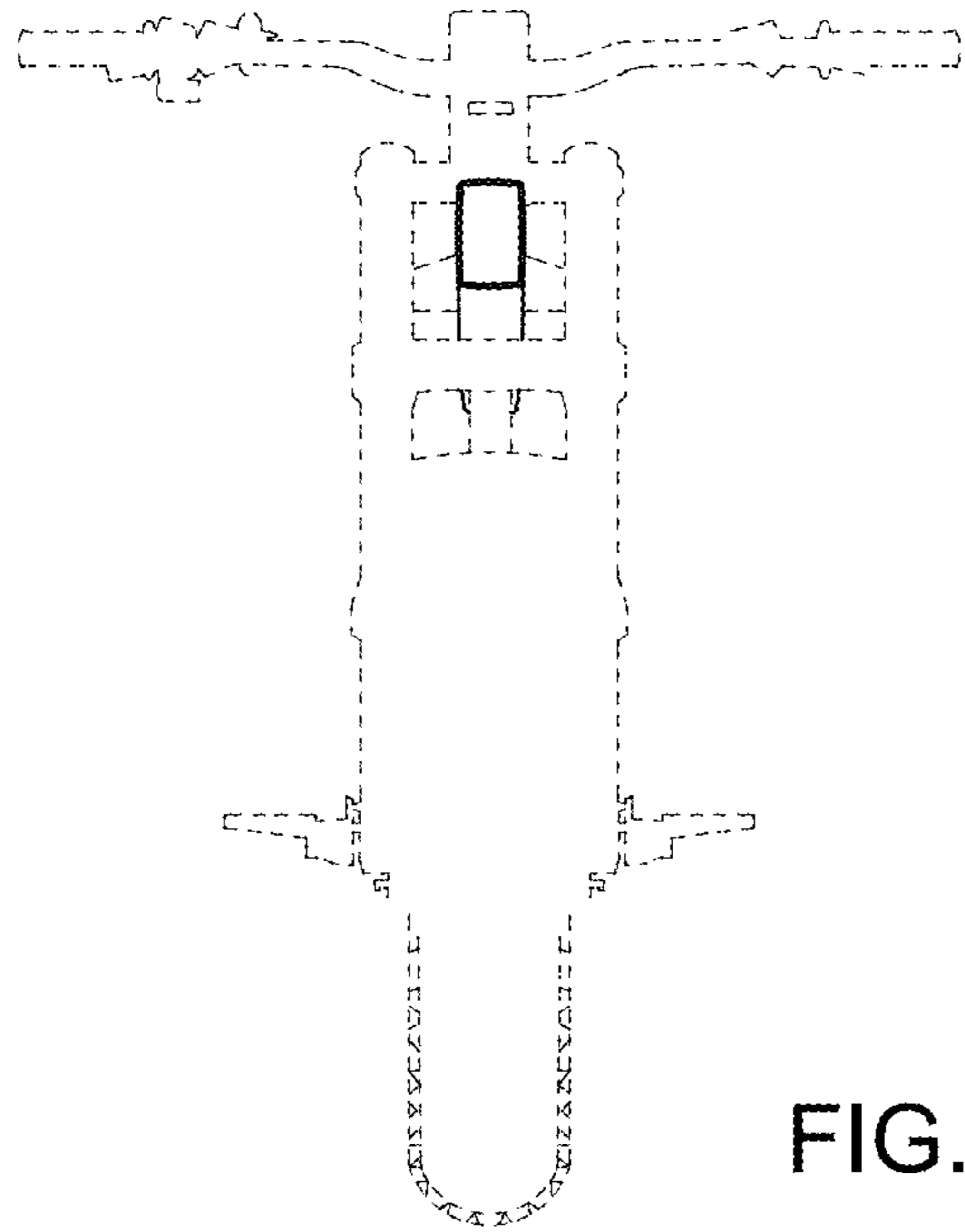


FIG. 4

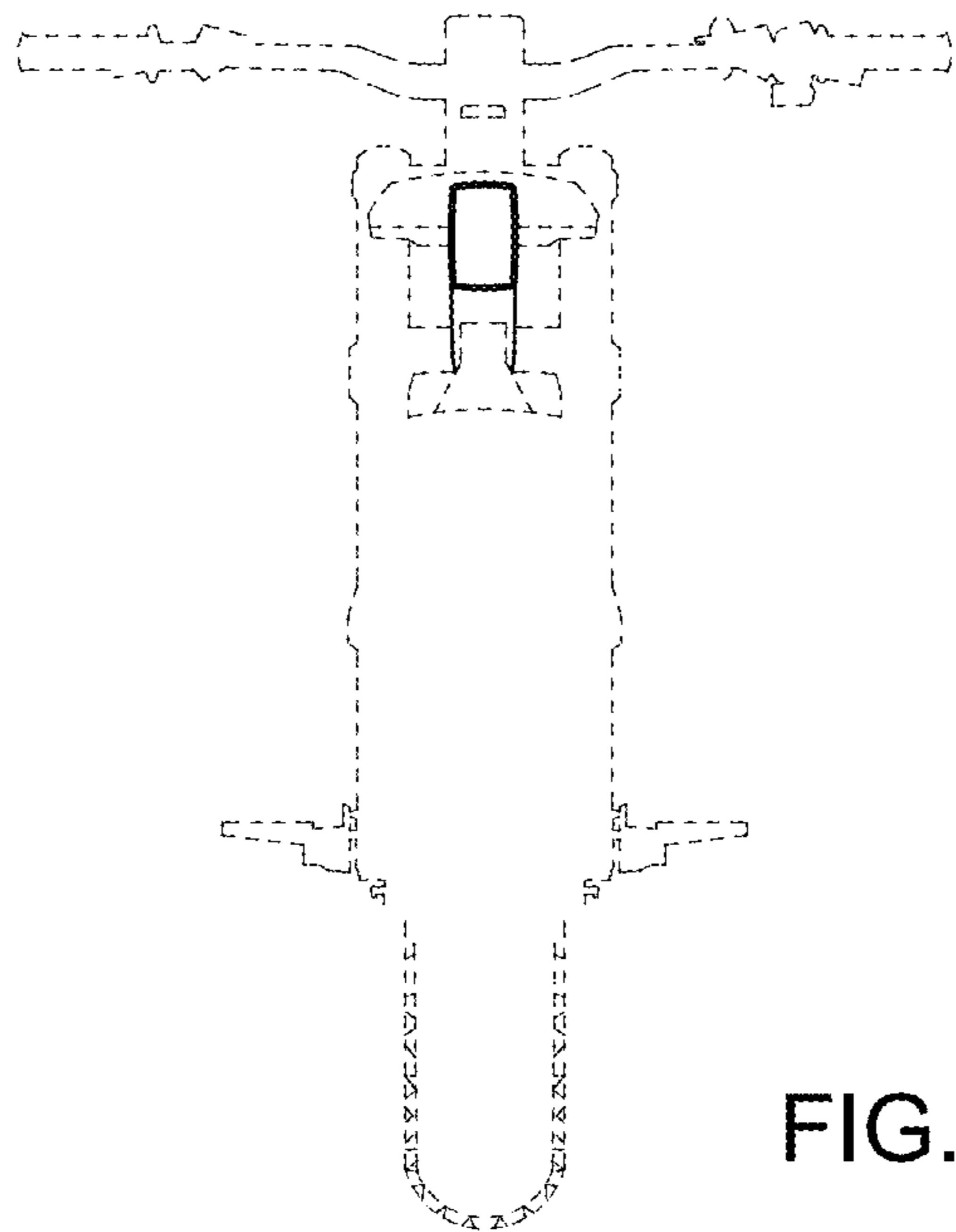


FIG. 5

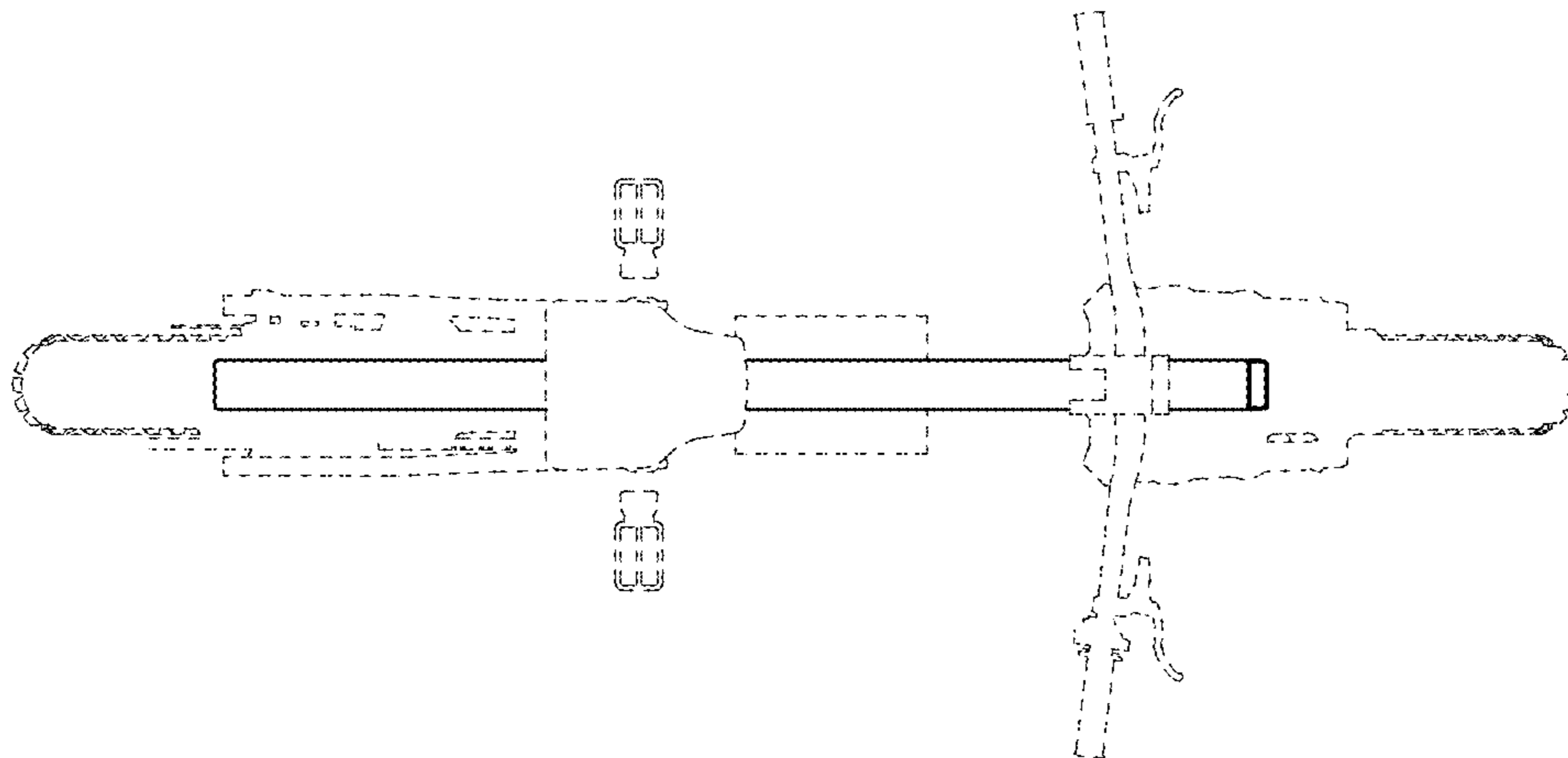


FIG. 6

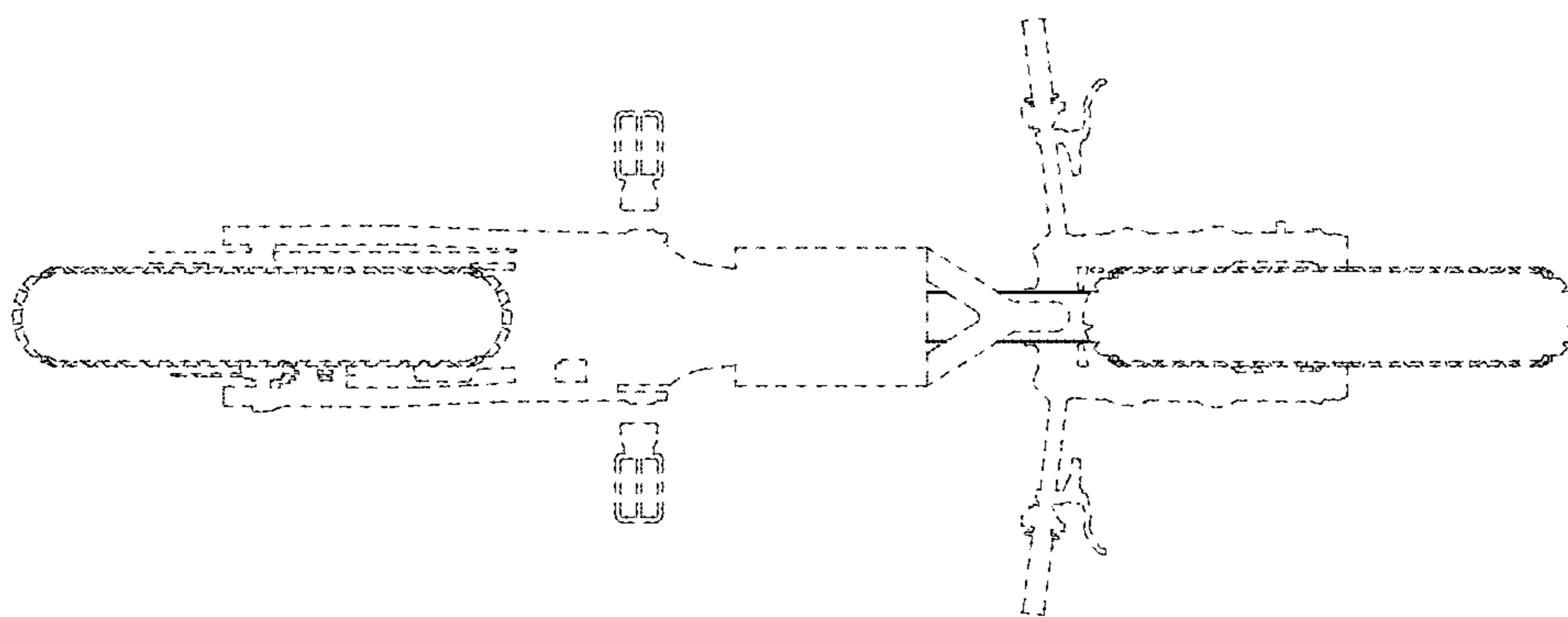


FIG. 7