



US00D948381S

(12) **United States Design Patent**
Owens et al.

(10) **Patent No.:** **US D948,381 S**

(45) **Date of Patent:** **** Apr. 12, 2022**

(54) **AUTOMOBILE BODY**

(71) Applicants: **John S. Owens**, Pleasant Ridge, MI (US); **John G. Opfer**, Rochester, MI (US); **Joseph S. Dehner**, Bloomfield Hills, MI (US)

(72) Inventors: **John S. Owens**, Pleasant Ridge, MI (US); **John G. Opfer**, Rochester, MI (US); **Joseph S. Dehner**, Bloomfield Hills, MI (US)

(73) Assignee: **FCA US LLC**, Auburn Hills, MI (US)

(**) Term: **15 Years**

(21) Appl. No.: **29/743,702**

(22) Filed: **Jul. 23, 2020**

(51) **LOC (13) Cl.** **12-08**

(52) **U.S. Cl.**
USPC **D12/98**

(58) **Field of Classification Search**
USPC D12/86, 90-92, 164, 98; D21/424, 433, D21/434, 533, 548, 562; 296/181.1, 296/181.5, 181.3, 183.1, 37.6
CPC B60R 9/06; B62D 35/00
See application file for complete search history.

(56) **References Cited**

U.S. PATENT DOCUMENTS

D586,699 S *	2/2009	Opfer	D12/98
D659,053 S *	5/2012	Ware	D12/98
D703,586 S *	4/2014	Platto	D12/98
D723,428 S *	3/2015	Sperling	D12/98
D725,001 S *	3/2015	McMahan	D12/98
D732,435 S *	6/2015	Mackay	D12/98
D735,082 S *	7/2015	Sperling	D12/98
D742,790 S *	11/2015	Noguchi	D12/98

D748,014 S *	1/2016	Ino	D12/98
D748,015 S *	1/2016	Ino	D12/98
D755,082 S	5/2016	Gillam et al.		
D759,544 S *	6/2016	Chung	D12/98
D803,727 S *	11/2017	Noone	D12/98
D805,438 S	12/2017	Scott et al.		
D808,308 S	1/2018	Gillam et al.		
D828,227 S *	9/2018	Ninov	D12/98
D836,032 S *	12/2018	Ninov	D12/98
D836,033 S *	12/2018	Ninov	D12/98
D836,034 S *	12/2018	Scott	D12/98
D836,035 S *	12/2018	Scott	D12/98
D836,036 S	12/2018	Ninov et al.		
D837,694 S *	1/2019	Ninov	D12/98
D847,029 S *	4/2019	Ninov	D12/98
D860,881 S	9/2019	Ninov et al.		
D885,262 S	5/2020	Ninov et al.		

* cited by examiner

Primary Examiner — Melody N Brown

(74) *Attorney, Agent, or Firm* — Ralph E. Smith

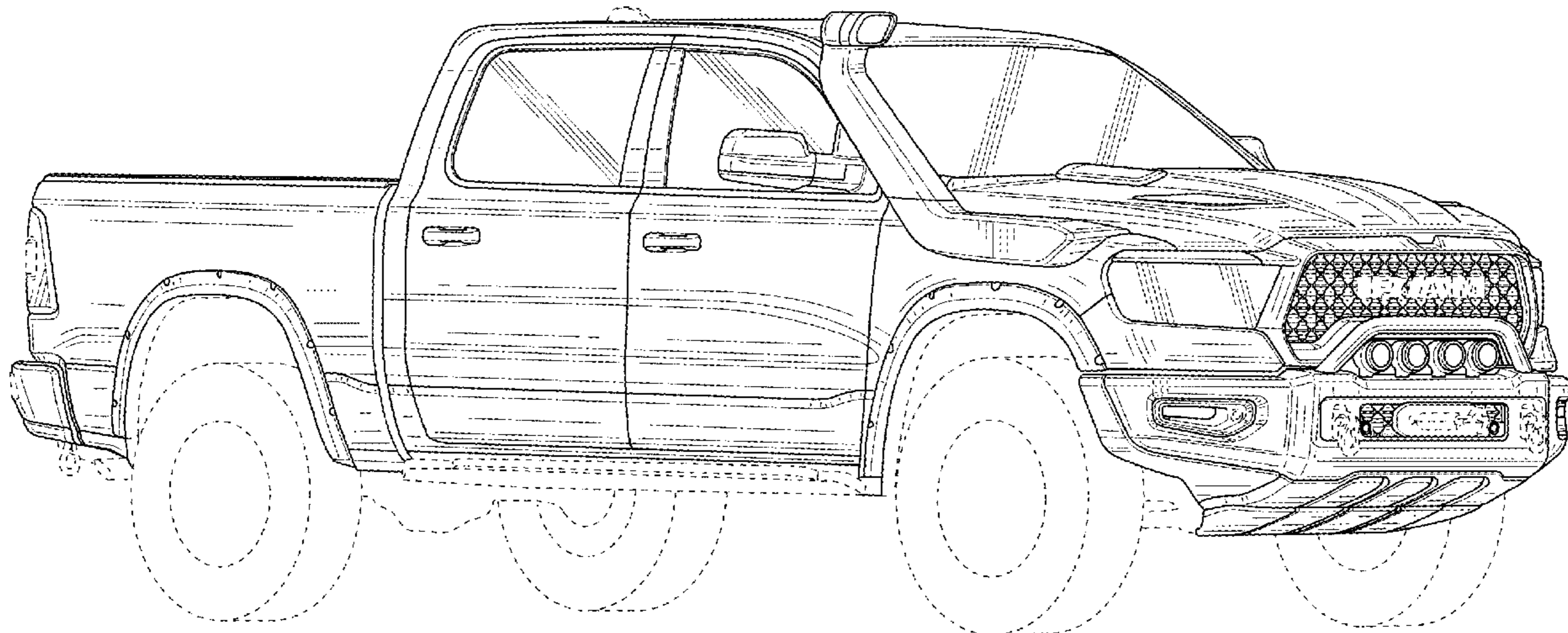
(57) **CLAIM**

The ornamental design for an automobile body, as shown and described.

DESCRIPTION

FIG. 1 is a front and right side perspective view of an automobile body showing our new design; FIG. 2 is a front elevation view thereof; FIG. 3 is a rear elevational view thereof; FIG. 4 is a left side elevational view thereof; FIG. 5 is a right side elevational view thereof; FIG. 6 is a top plan view thereof; and, FIG. 7 is a rear and left side perspective view thereof. It will be understood that the broken lines shown in the drawings illustrate portions of the automobile body that form no part of the claimed design.

1 Claim, 6 Drawing Sheets



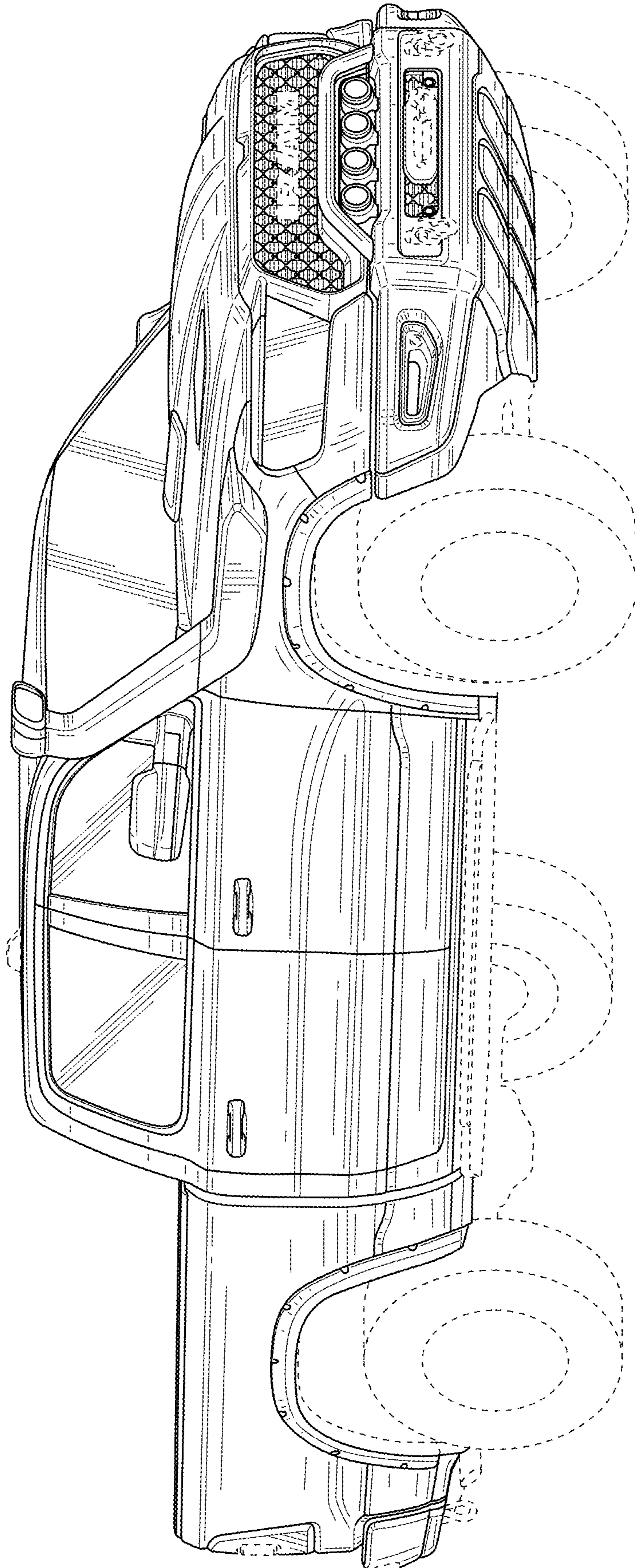


FIG. 1

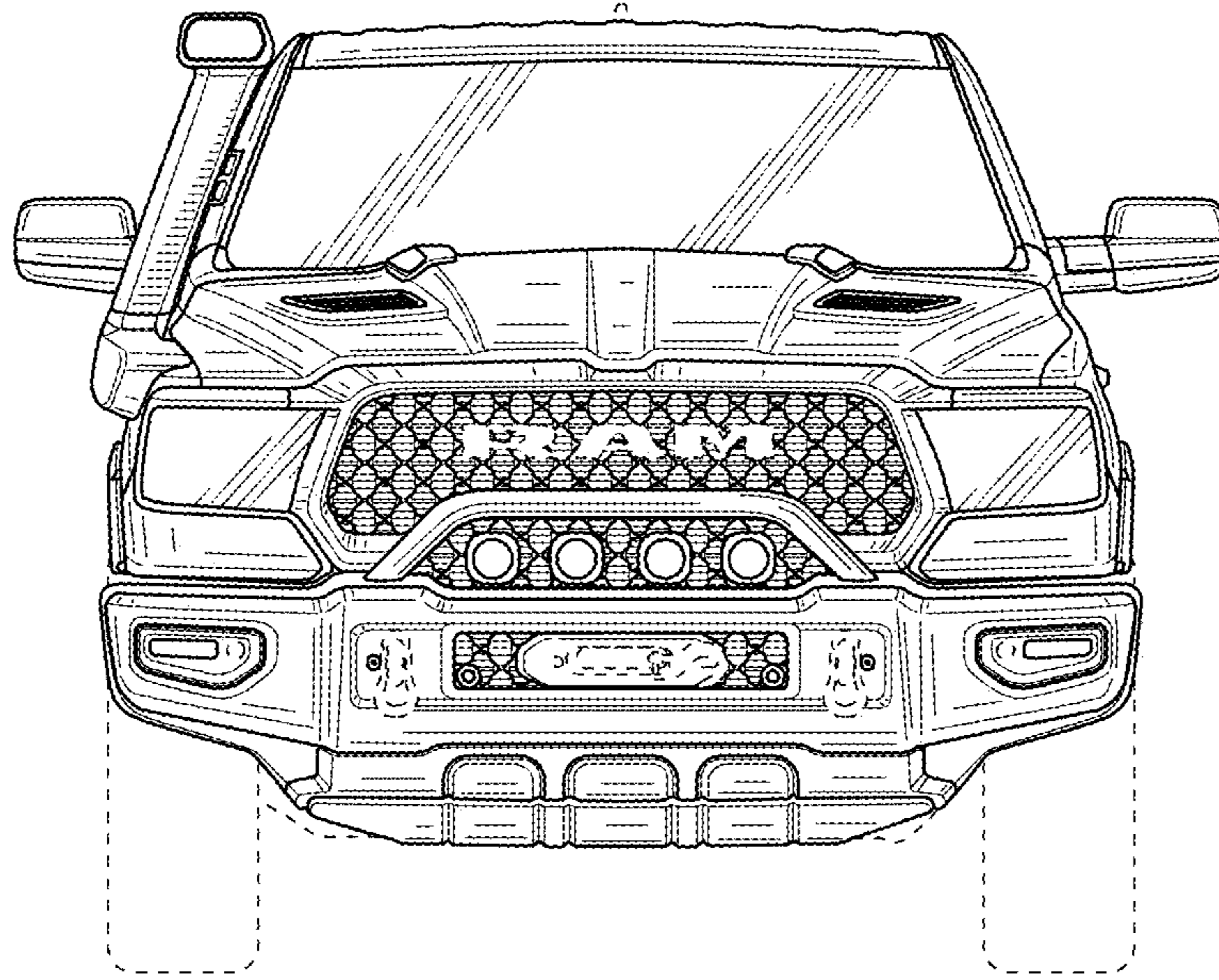


FIG. 2

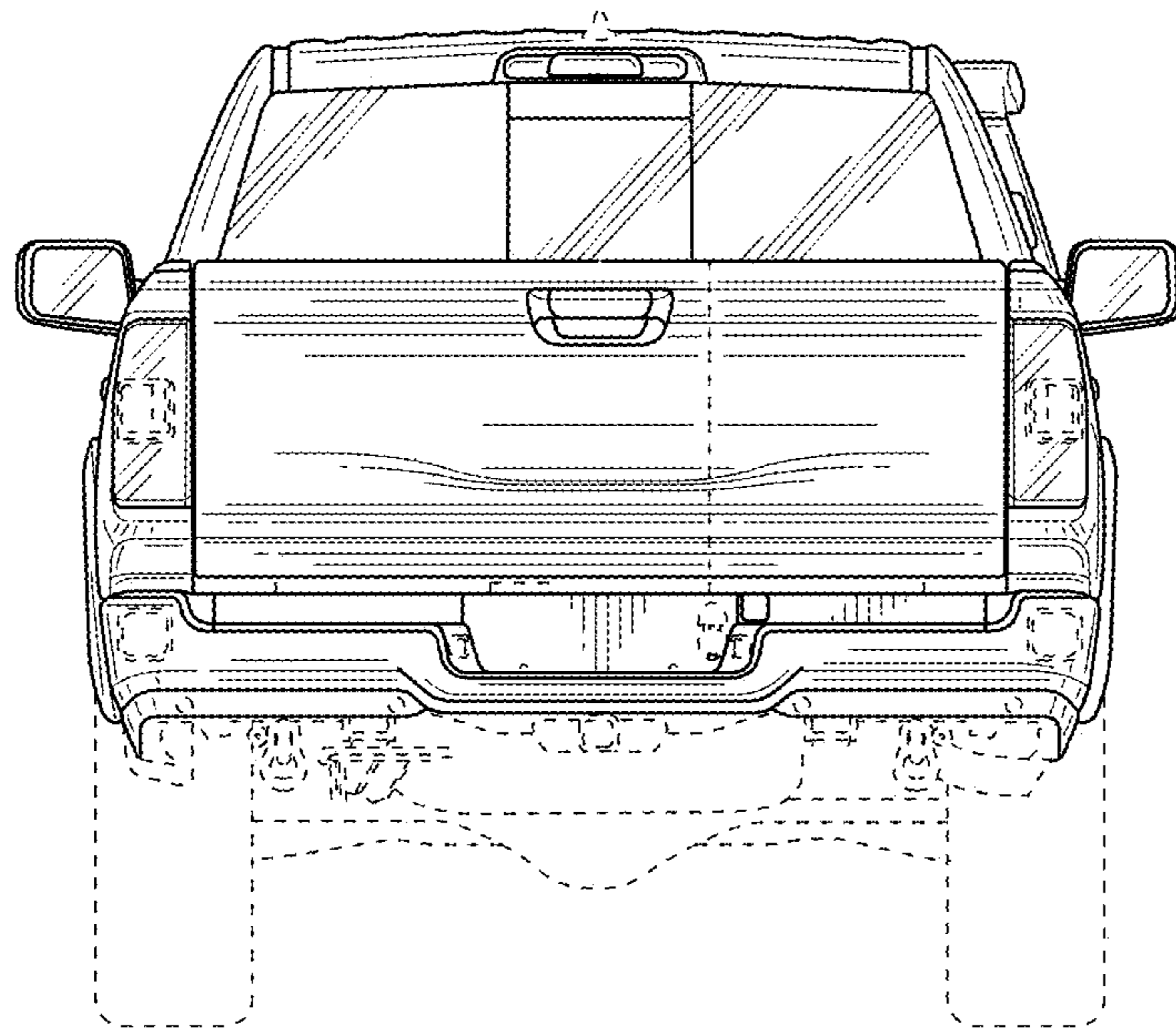


FIG. 3

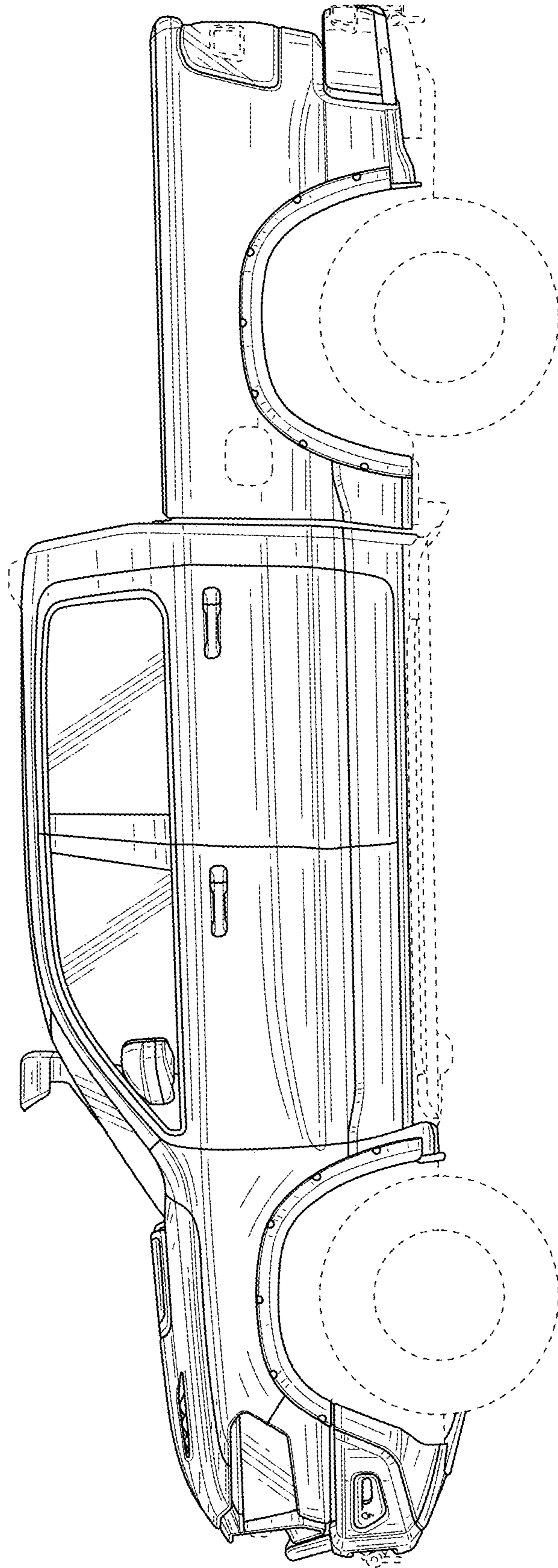


FIG. 4

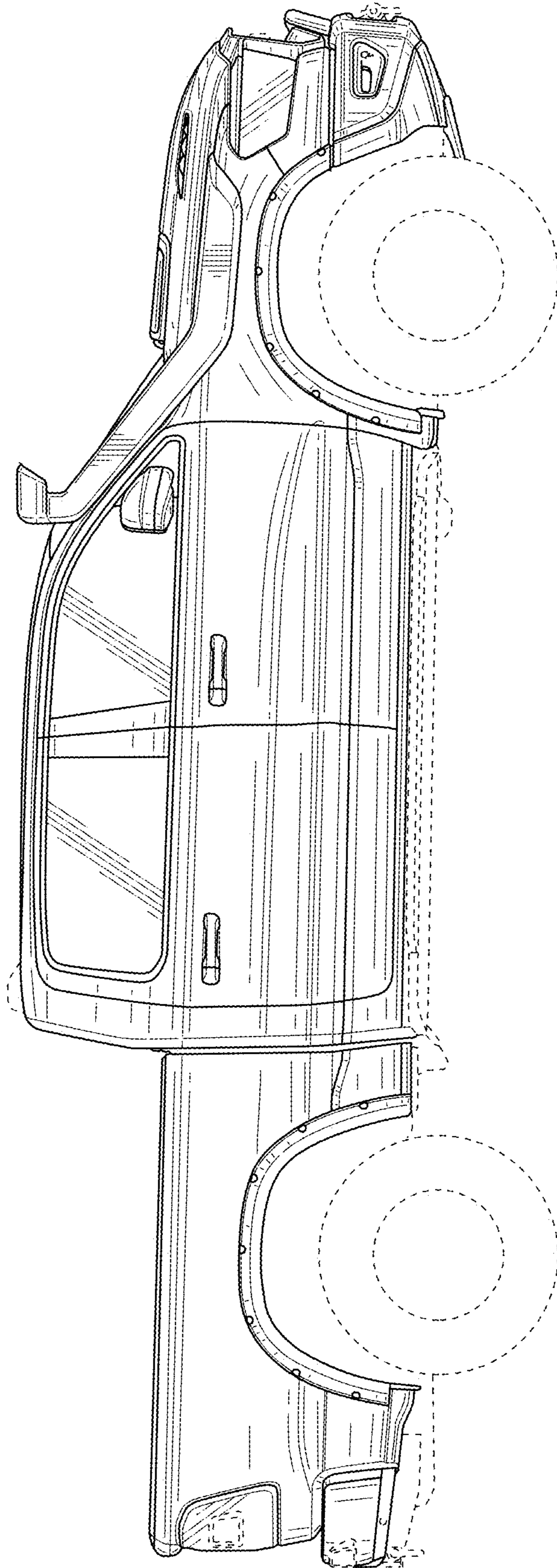


FIG. 5

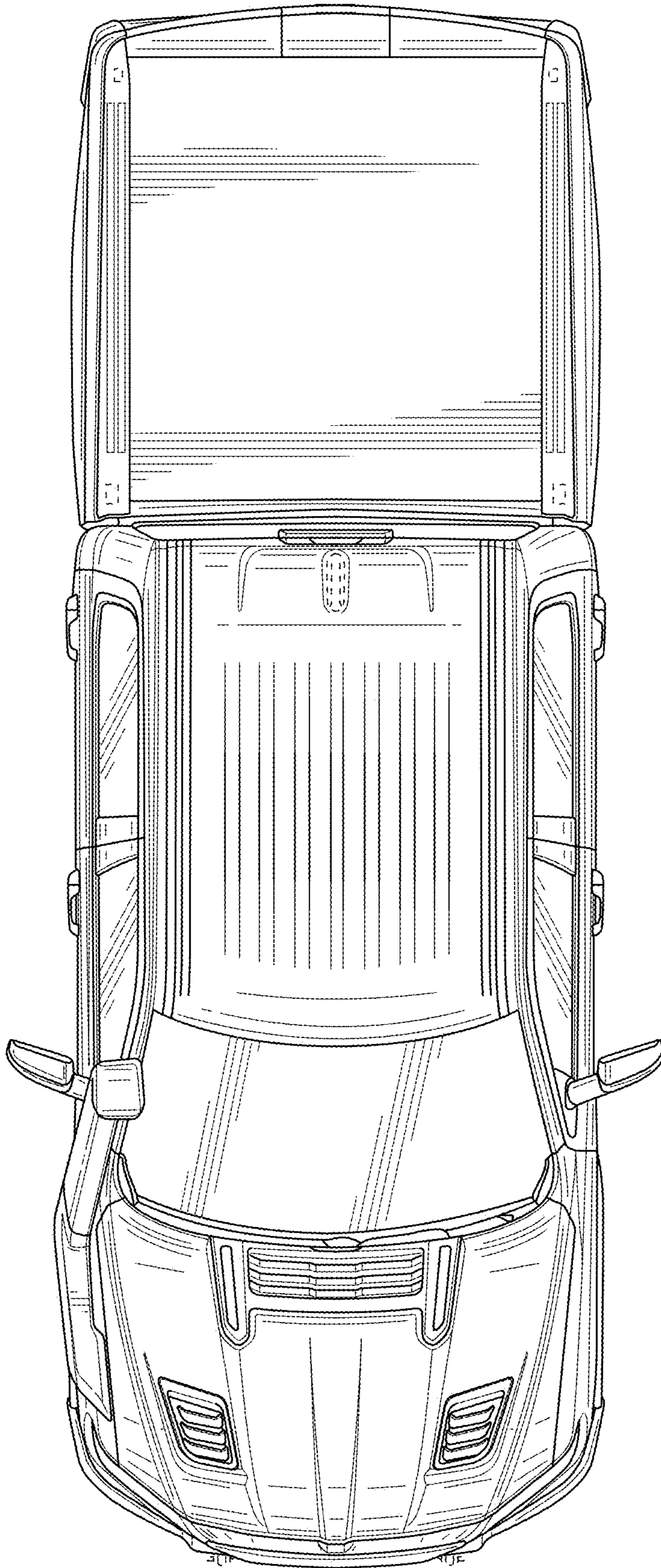


FIG. 6

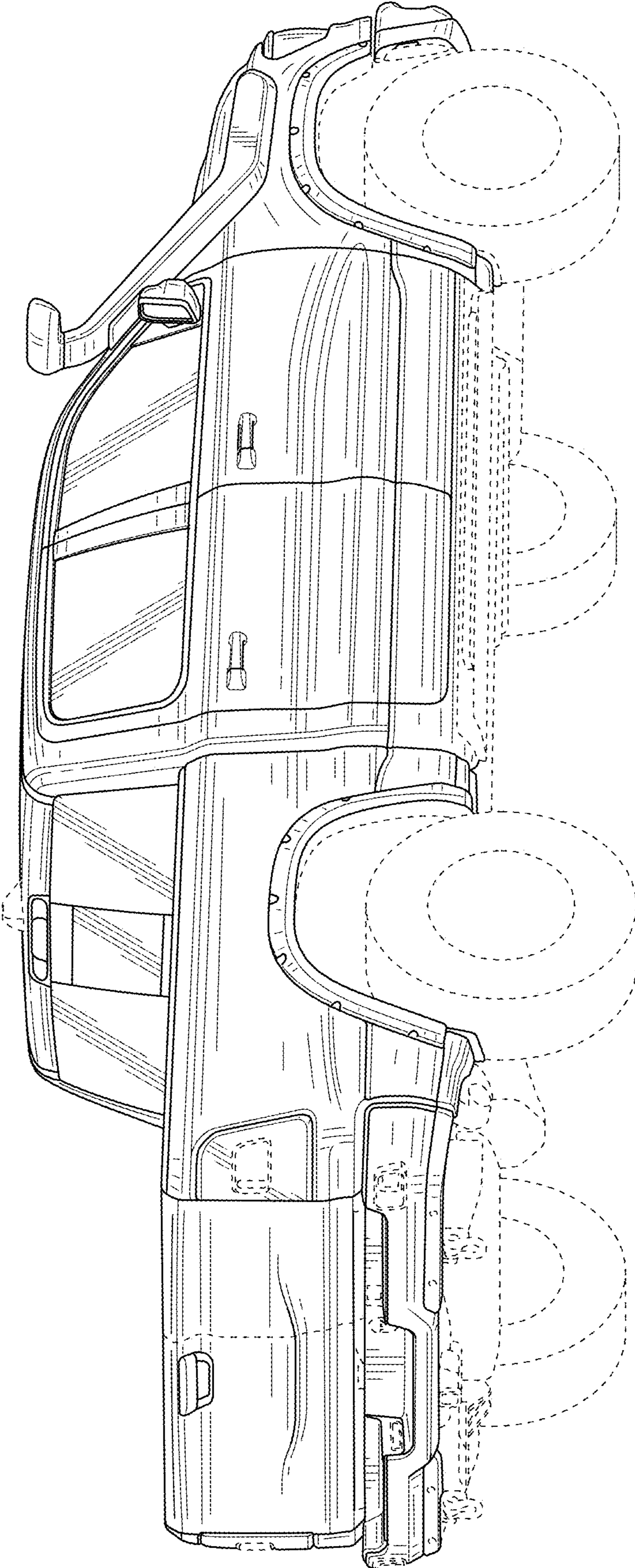


FIG. 7