



US00D948380S

(12) **United States Design Patent** (10) **Patent No.:** **US D948,380 S**
Kim (45) **Date of Patent:** **** Apr. 12, 2022**

(54) **AUTOMOBILE**

(71) Applicants: **Kia Motors Corporation**, Seoul (KR);
Hyundai Motor Company, Seoul (KR)

(72) Inventor: **Tae-Hoon Kim**, Seoul (KR)

(73) Assignees: **Kia Motors Corporation**, Seoul (KR);
Hyundai Motor Company, Seoul (KR)

(**) Term: **15 Years**

(21) Appl. No.: **35/510,726**

(22) Filed: **May 8, 2020**

(80) **Hague Agreement Data**

Int. Filing Date: **May 8, 2020**

Int. Reg. No.: **DM/208369**

Int. Reg. Date: **May 8, 2020**

Int. Reg. Pub. Date: **Nov. 13, 2020**

(30) **Foreign Application Priority Data**

Mar. 5, 2020 (KR) 30-2020-0010091

(51) **LOC (13) Cl.** **12-08**

(52) **U.S. Cl.**
USPC **D12/92**

(58) **Field of Classification Search**
USPC D12/86, 90, 91, 92, 98; D21/424, 433,
D21/434

CPC B62D 25/00; B62D 25/06; B62D 33/00;
B62D 35/00

See application file for complete search history.

(56) **References Cited**

U.S. PATENT DOCUMENTS

D718,666 S * 12/2014 Hammoud D12/92
D728,428 S * 5/2015 Kim D12/92
9,051,952 B2 * 6/2015 Juettner B60K 1/04
D733,616 S * 7/2015 Hammoud D12/92
9,073,410 B2 * 7/2015 Bruant B60J 7/028

D763,136 S * 8/2016 Minami D12/92
D781,183 S * 3/2017 Suga D12/92
D786,136 S * 5/2017 Ding D12/92
D790,405 S * 6/2017 Christensen D12/92
D792,810 S * 7/2017 Kim D12/92
D795,136 S * 8/2017 Matsumoto D12/91
D795,137 S * 8/2017 Katou D12/91
D795,744 S * 8/2017 Sahara D12/91
9,725,020 B2 * 8/2017 Fainello B60N 2/882
D797,606 S * 9/2017 Oh D12/92
9,849,918 B2 * 12/2017 Hartmann B62D 25/025
D808,302 S * 1/2018 Oh D12/92
D825,388 S * 8/2018 Karras D12/92
D831,542 S * 10/2018 Russo D12/92
D833,332 S * 11/2018 Ahn D12/92

(Continued)

OTHER PUBLICATIONS

“2021 Hyundai Elantra.” Hyundai Brochure., Oct. 31, 2020 [online],
[retrieved on Oct. 29, 2021]. Retrieved from the Internet <URL:
https://www.auto-brochures.com/makes/Hyundai/Elantra/Hyundai_US%20Elantra_2021.pdf>.*

(Continued)

Primary Examiner — Darlington Ly

(74) *Attorney, Agent, or Firm* — Mintz Levin Cohn Ferris
Glovsky and Popeo, P.C.; Peter F. Corless

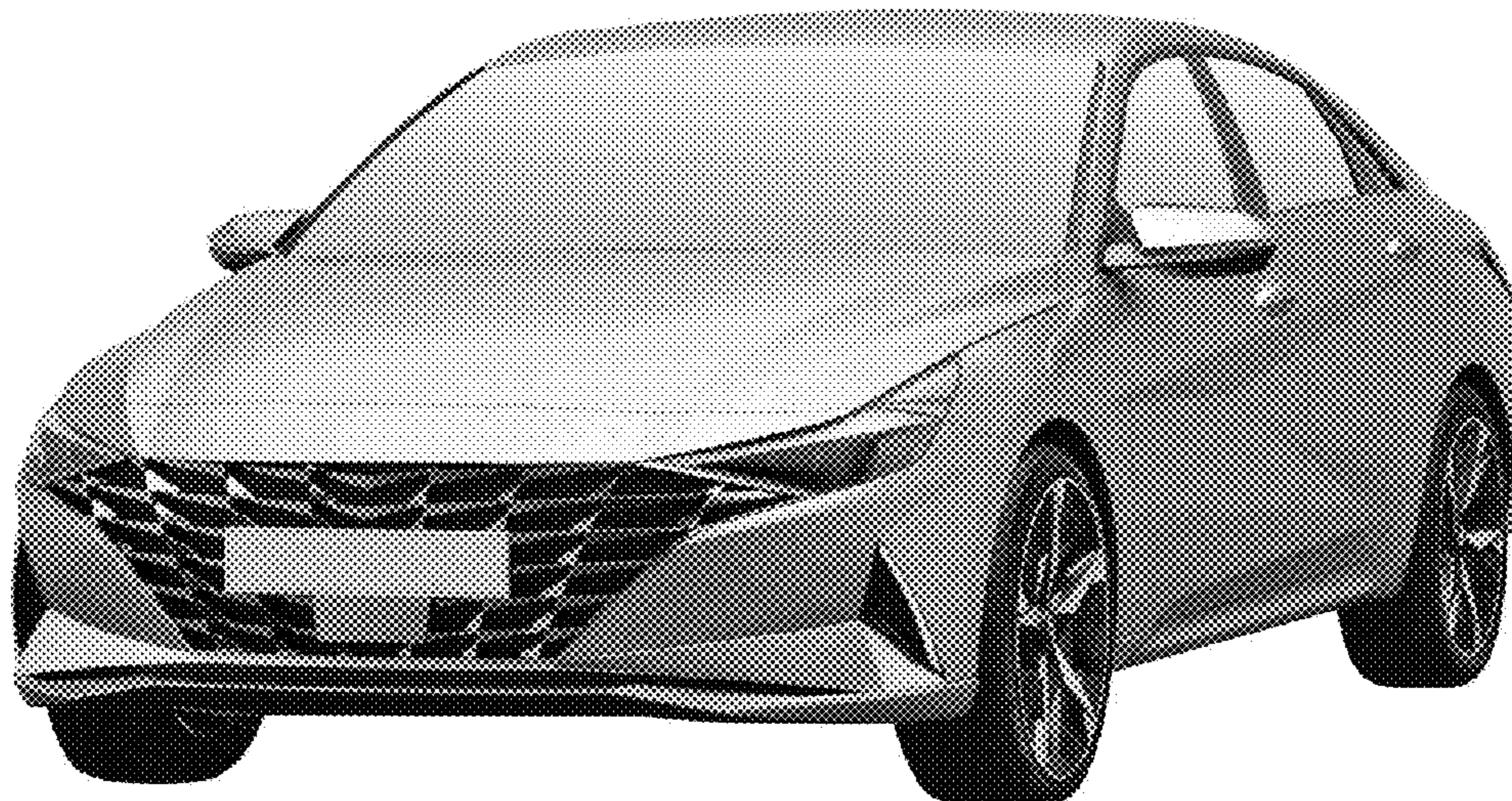
(57) **CLAIM**

The ornamental design for an automobile, as shown and
described.

DESCRIPTION

- 1. Automobile
- 1.1 is a front perspective view of an automobile embodying
our new design;
- 1.2 is a front elevation view thereof;
- 1.3 is a rear elevation view thereof;
- 1.4 is a right side elevation view thereof;
- 1.5 is a left side elevation view thereof; and
- 1.6 is a top plan view thereof.

1 Claim, 6 Drawing Sheets



(56)

References Cited

U.S. PATENT DOCUMENTS

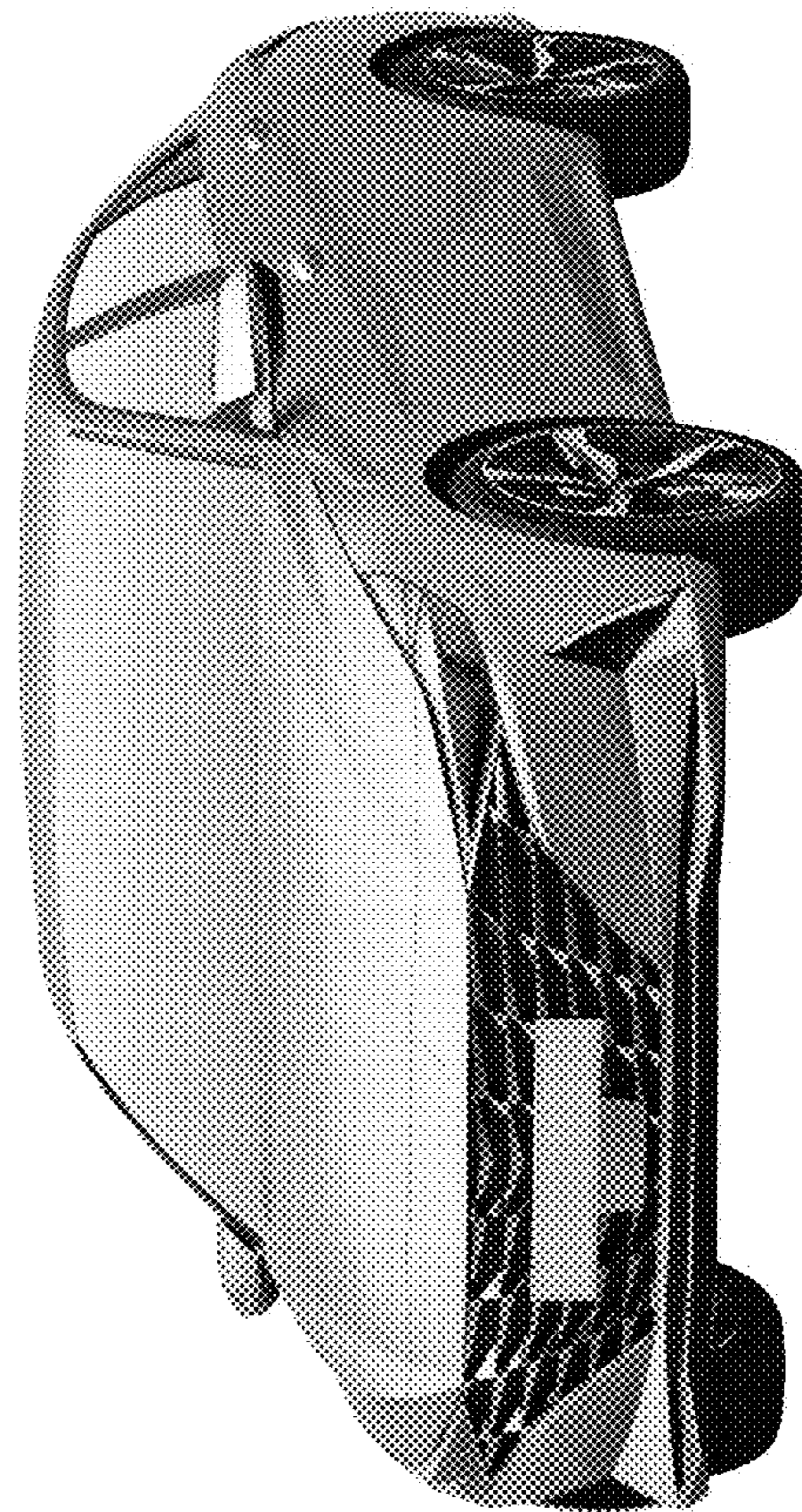
D833,914 S	*	11/2018	Ahn	D12/92
D840,874 S	*	2/2019	Fisker	D12/92
D847,028 S	*	4/2019	Loeb	D12/92
D856,851 S	*	8/2019	Hirzel	D12/92
D864,789 S	*	10/2019	Lee	D12/92
D866,399 S	*	11/2019	Bischoff	D12/92
D871,971 S	*	1/2020	Kim	D12/92
D889,316 S	*	7/2020	Kido	D12/91
D898,618 S	*	10/2020	Huerta Martinez	D12/91
D917,346 S	*	4/2021	Lee	D12/92
D919,480 S	*	5/2021	Kim	D12/92
D919,481 S	*	5/2021	Kim	D12/92
11,161,558 B2	*	11/2021	Posch	B62D 35/007

OTHER PUBLICATIONS

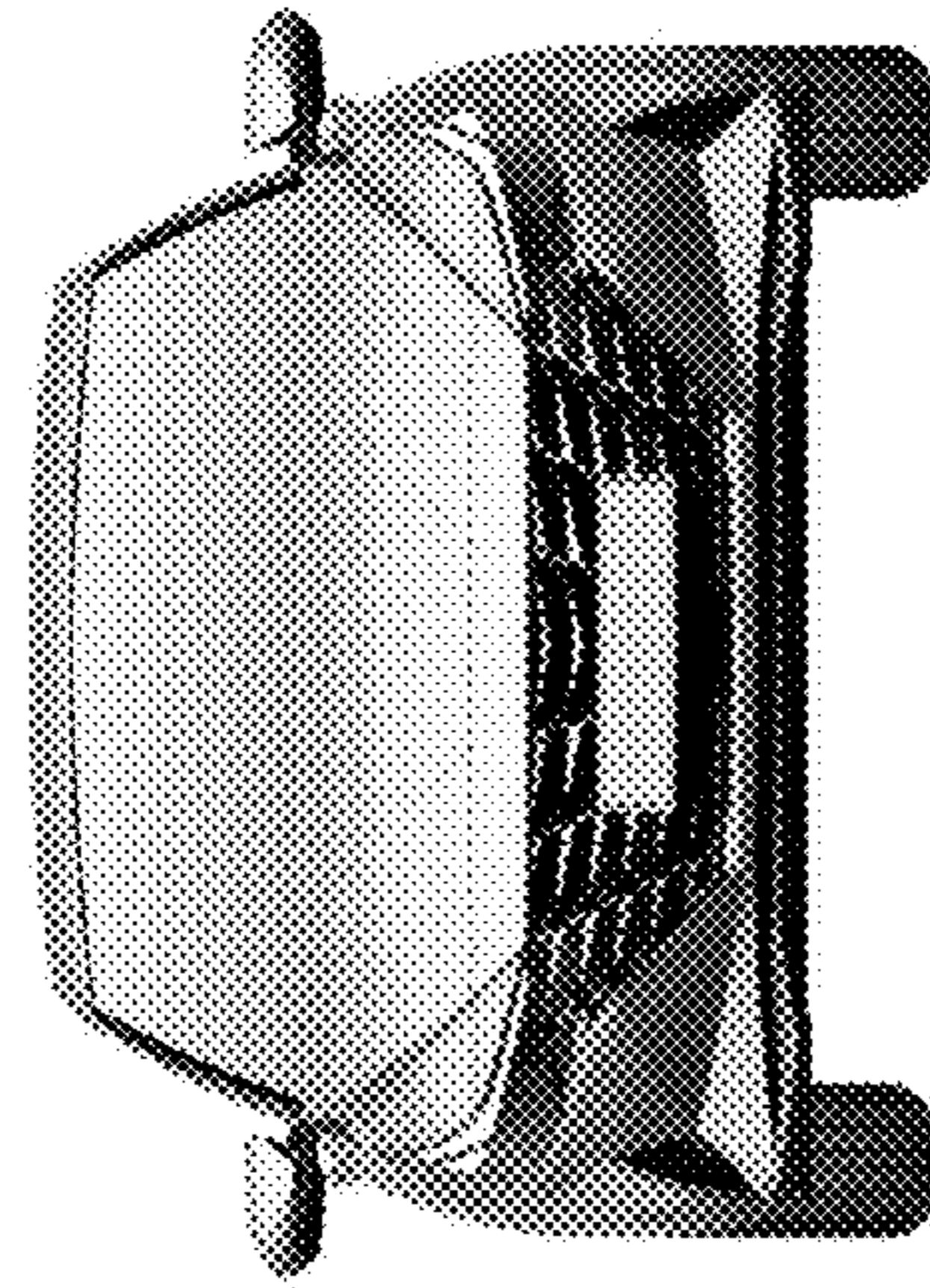
“2020 Hyundai Full Line.” Hyundai Brochure., Sep. 26, 2019 [online], [retrieved on Oct. 29, 2021]. Retrieved from the Internet <URL: https://www.auto-brochures.com/makes/Hyundai/Hyundai_US%20Full_Line_2020.pdf>.*

Sebastian Blanco. “Pricing Revealed: 2021 Hyundai Elantra Gets Hybrid Powertrain, Upgraded Tech.” Forbes Wheels., Oct. 29, 2020 [online], [retrieved on Oct. 29, 2021]. Retrieved from the Internet <URL: <https://www.forbes.com/wheels/news/pricing-revealed-2021-hyundai-elantra/>>.*

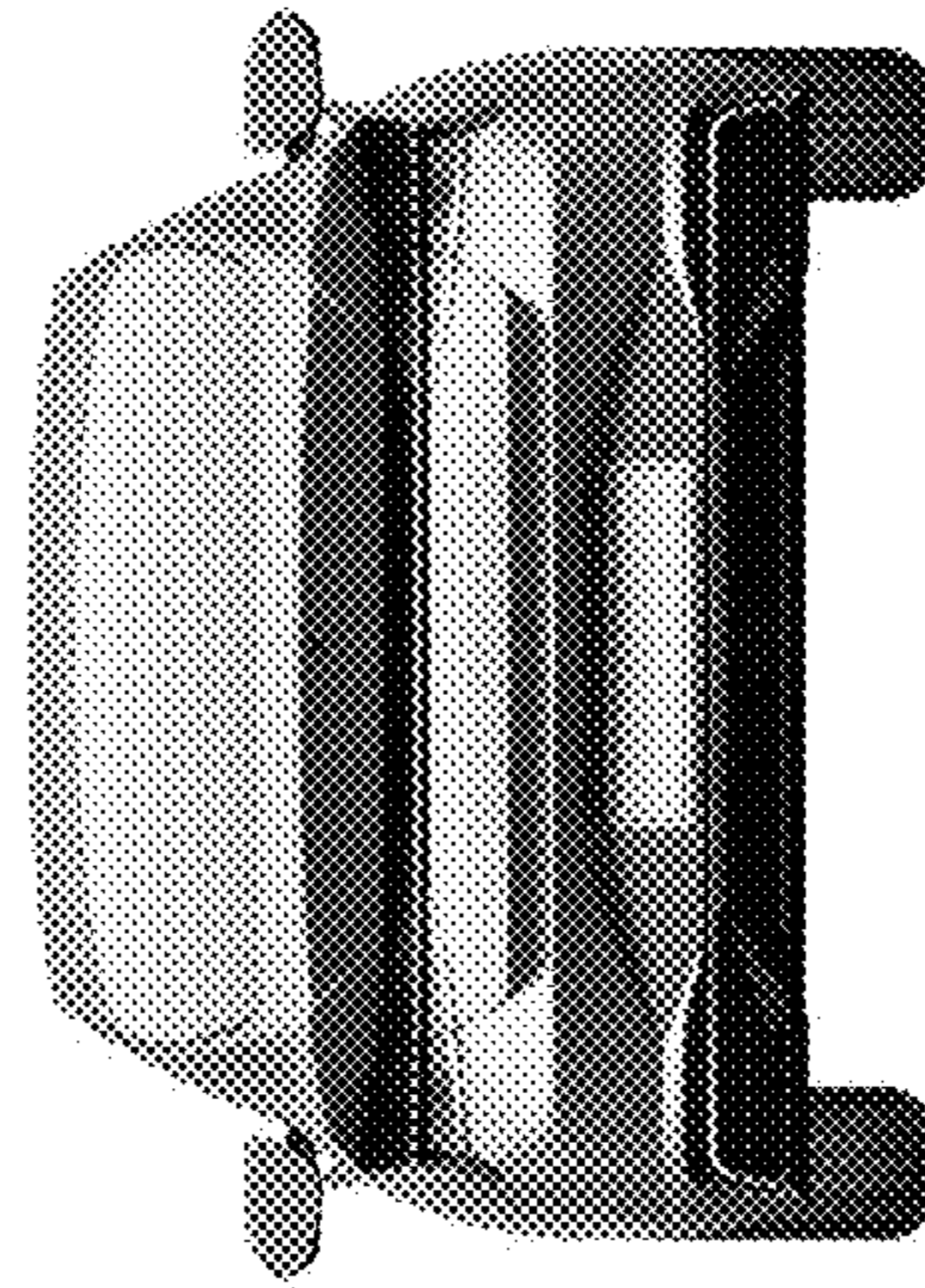
* cited by examiner



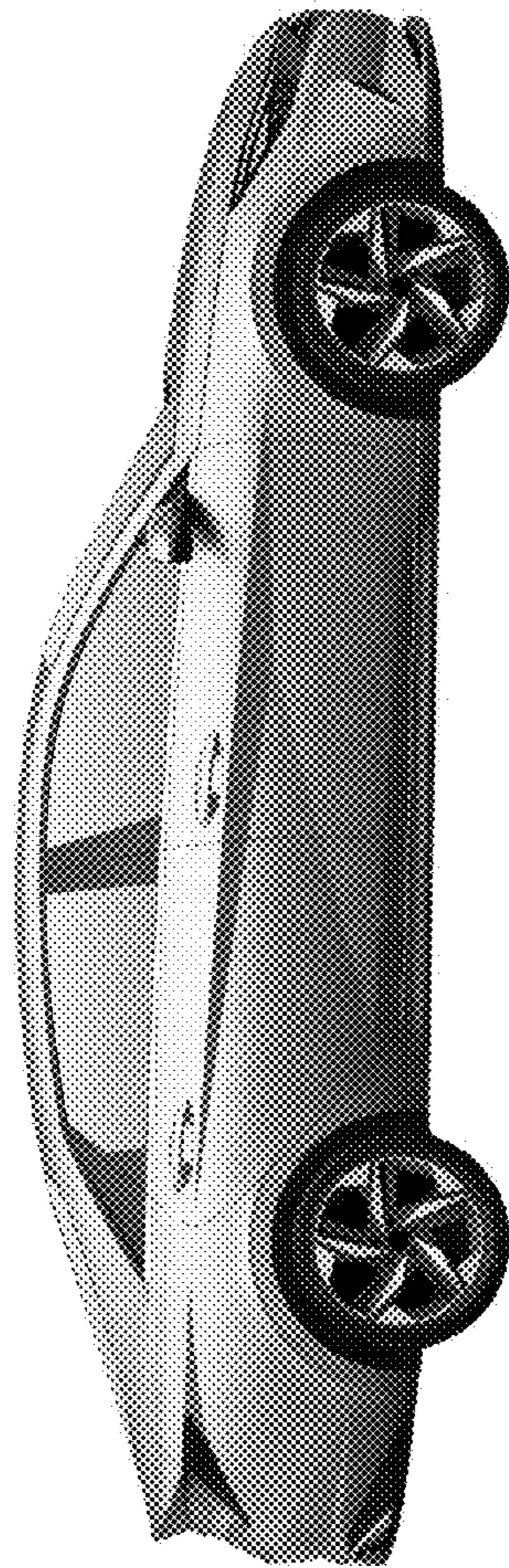
1.1



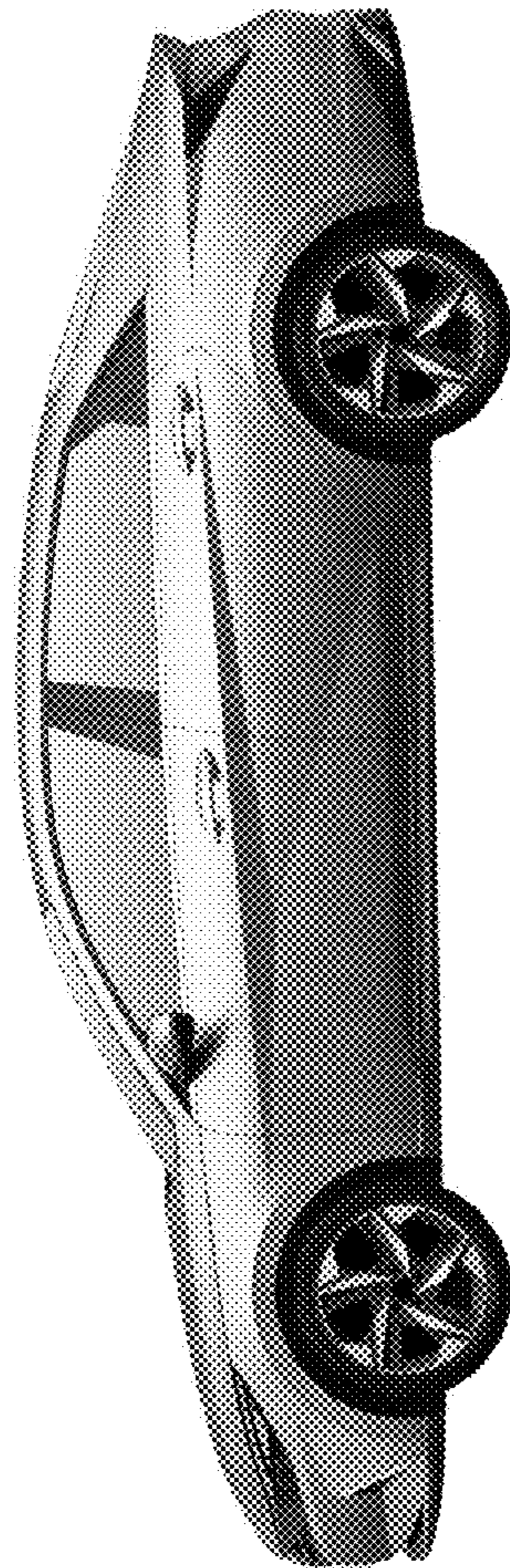
1.2



1.3



1.4



1.5

1.6

