



US00D948378S

(12) **United States Design Patent**
Escarpenter et al.

(10) **Patent No.:** **US D948,378 S**

(45) **Date of Patent:** **** Apr. 12, 2022**

(54) **DRONE AIRCRAFT**

(71) Applicant: **ALPHA UNMANNED SYSTEMS, S.L.**, Madrid (ES)

(72) Inventors: **Alvaro Escarpenter**, San Sebastian de los Reyes (ES); **Martin Caeiro**, San Sebastian de los Reyes (ES); **Pedro Burgos**, San Sebastian de los Reyes (ES)

(**) Term: **15 Years**

(21) Appl. No.: **35/511,409**

(22) Filed: **Feb. 2, 2021**

(80) **Hague Agreement Data**

Int. Filing Date: **Feb. 2, 2021**

Int. Reg. No.: **DM/212629**

Int. Reg. Date: **Feb. 2, 2021**

Int. Reg. Pub. Date: **Feb. 19, 2021**

(51) **LOC (13) Cl.** **12-07**

(52) **U.S. Cl.**
USPC **D12/16.1; D12/326**

(58) **Field of Classification Search**

USPC D12/1, 16.1, 326-330, 436, 441, 442;
D21/436, 441, 442

CPC ... B64C 27/04; B64C 27/08; B64C 2201/024;
B64C 2201/108; B64C 2203/00; B64C
39/024

See application file for complete search history.

(56) **References Cited**

U.S. PATENT DOCUMENTS

D336,888 S * 6/1993 Alber D12/326
D357,894 S * 5/1995 Arnold D12/327

D467,861 S * 12/2002 Lee D12/326
D524,227 S * 7/2006 Stille D12/327
D545,755 S * 7/2007 Van de Rostyne D12/327
D580,845 S * 11/2008 Van de Rostyne D12/326
D692,797 S * 11/2013 Ohnishi D12/16.1
D708,273 S * 7/2014 Kouyoumjian D21/442
D894,814 S * 9/2020 Kooiman D12/327
D899,344 S * 10/2020 Voloscsuk D12/326
D928,071 S * 8/2021 Lowenstein D12/327
D934,151 S * 10/2021 Liang D12/328

OTHER PUBLICATIONS

Alphaunmanneds, Fly longer, Carry more, Do more! Introducing the Alpha 900!! Published on Instagram.com on Aug. 24, 2020, retrieved from the internet on Dec. 6, 2022 <URL: https://www.instagram.com/p/CERk3PdnG9v/?utm_source=ig_web_copy_link> (Year: 2020).*

* cited by examiner

Primary Examiner — Joseph Kukella

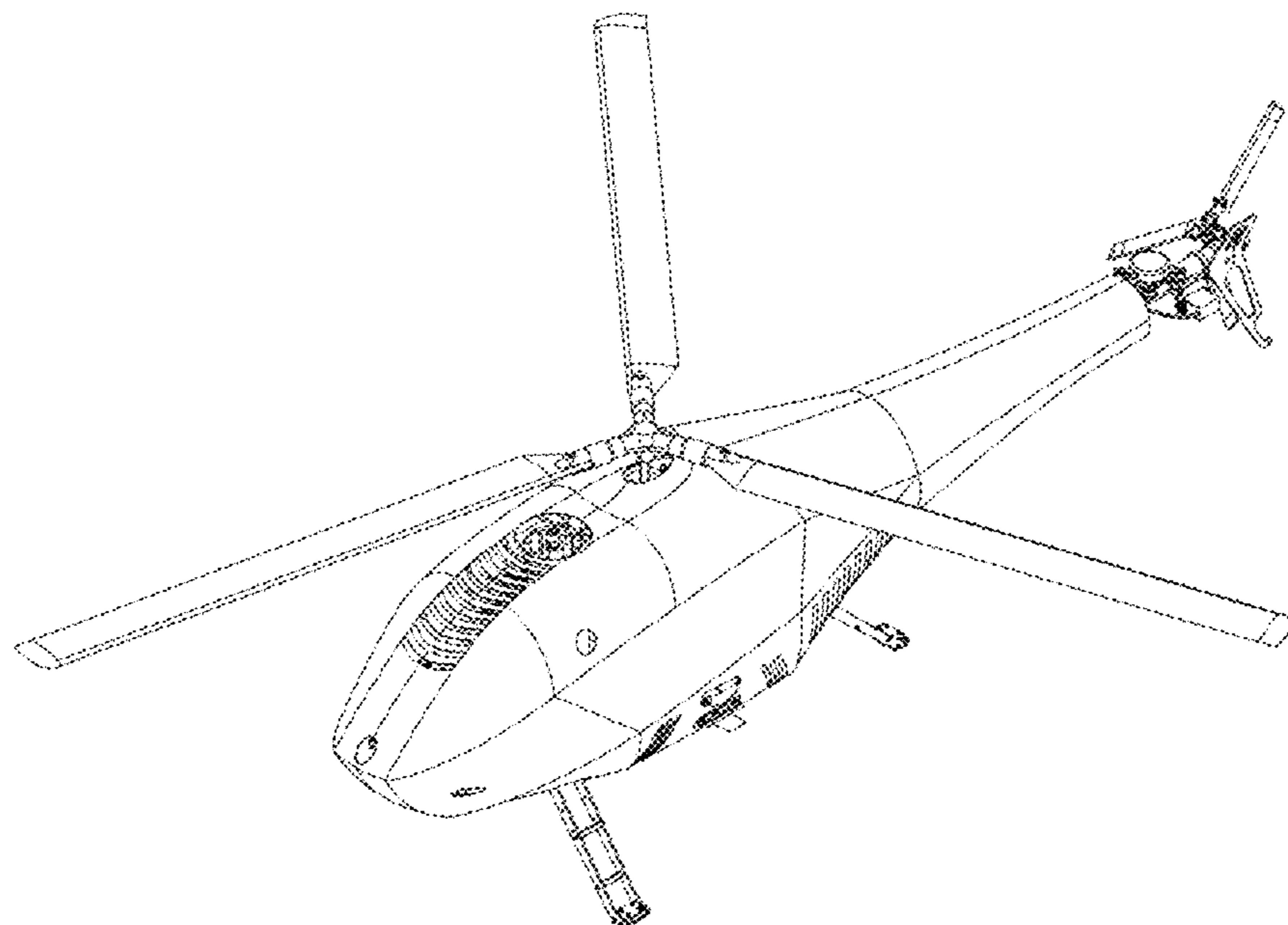
(57) **CLAIM**

The ornamental design for a drone aircraft, as shown and described.

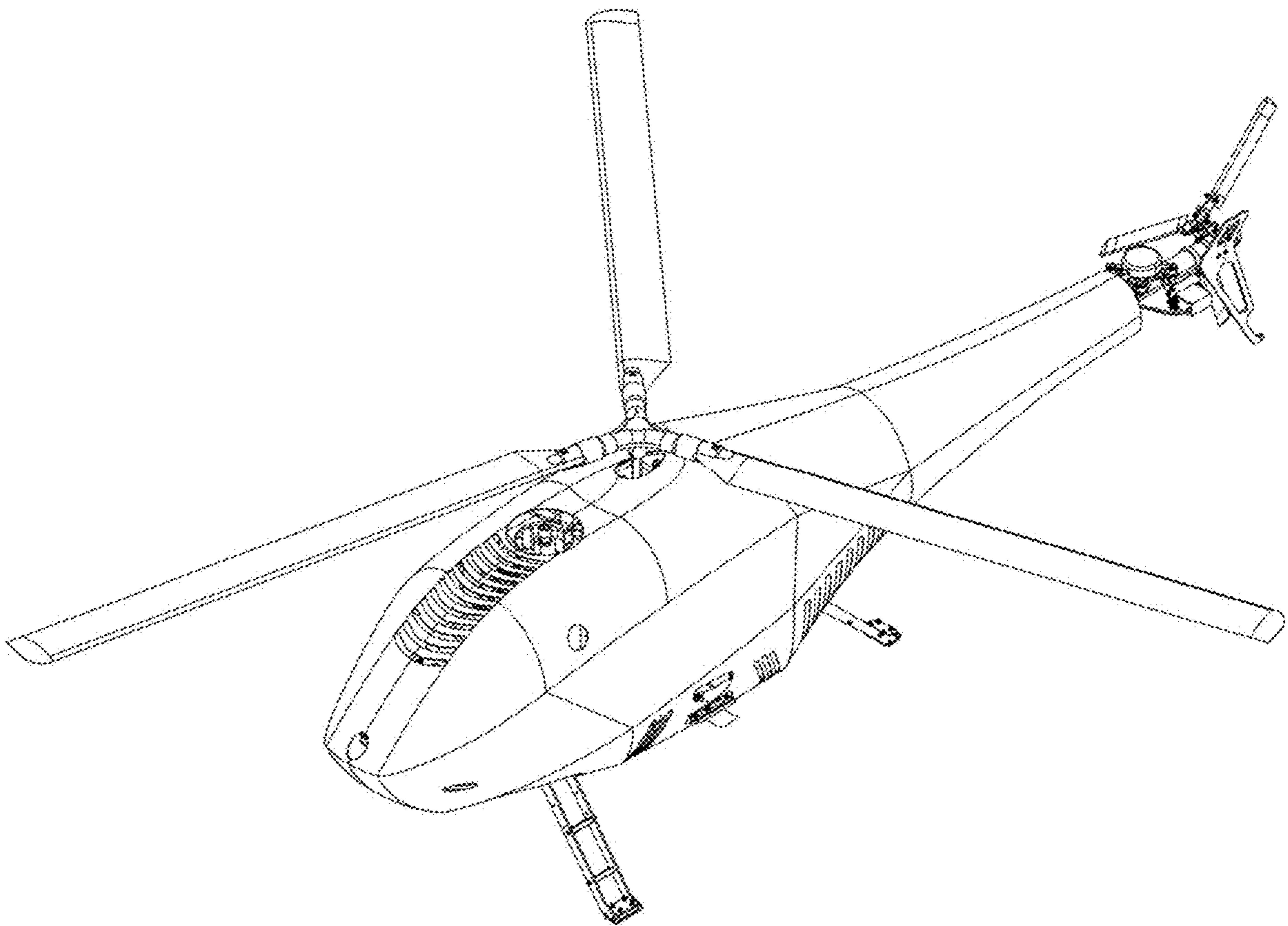
DESCRIPTION

- 1. Drone aircraft
- 1.1 : Perspective
- 1.2 : Left
- 1.3 : Top
- 1.4 : Rear
- 1.5 : Right
- 1.6 : Bottom
- 1.7 : Front

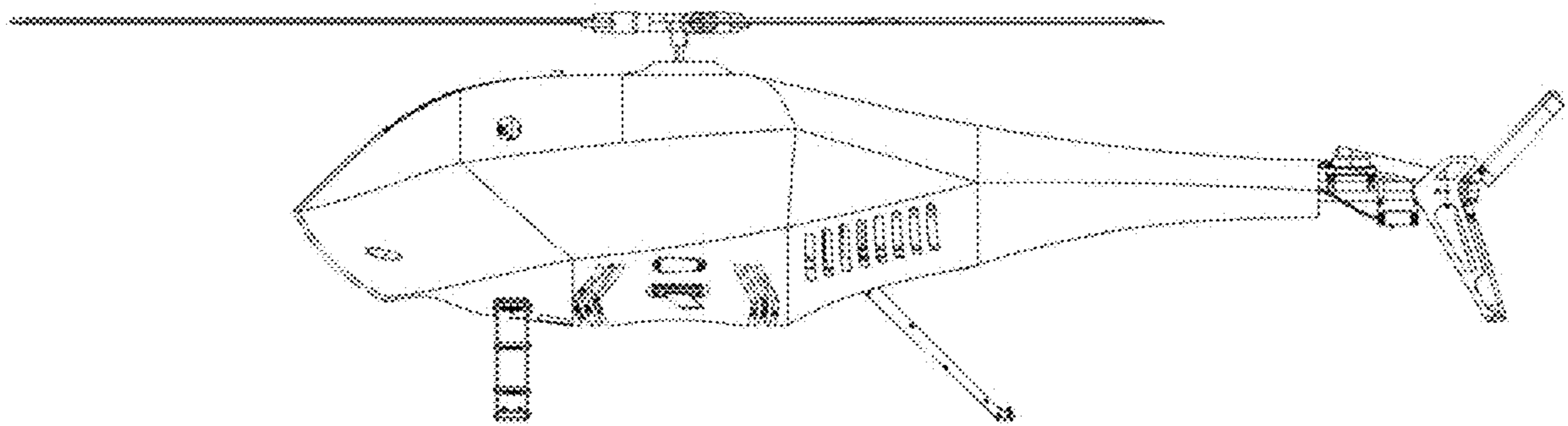
1 Claim, 7 Drawing Sheets



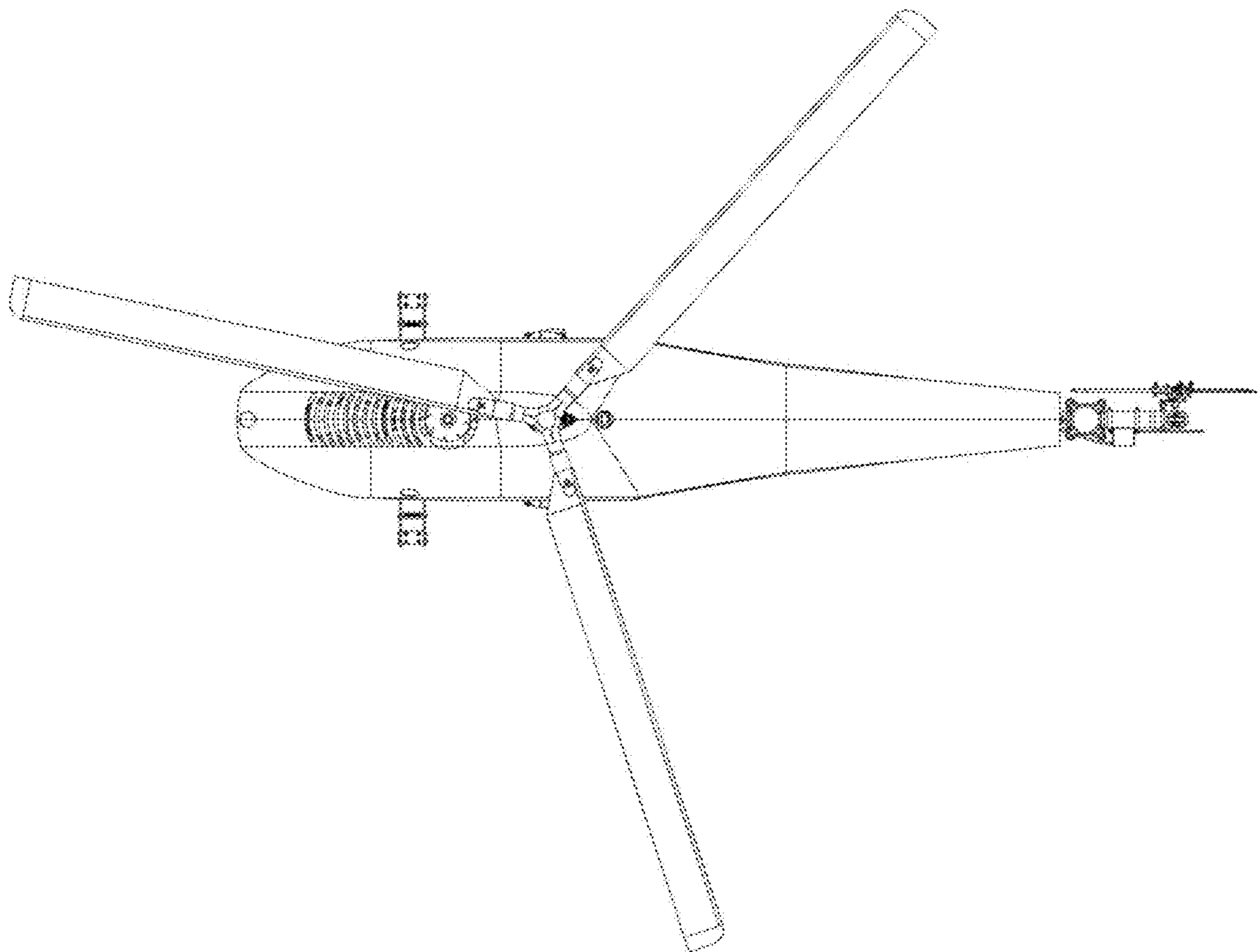
1.1



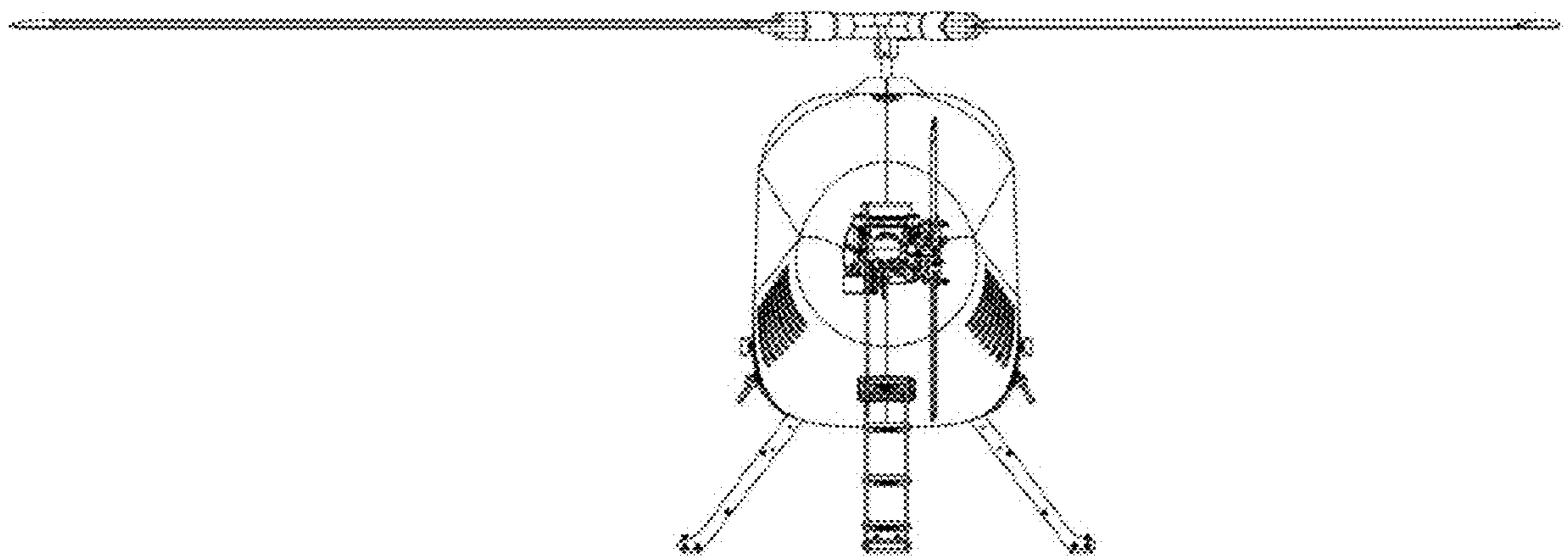
1.2



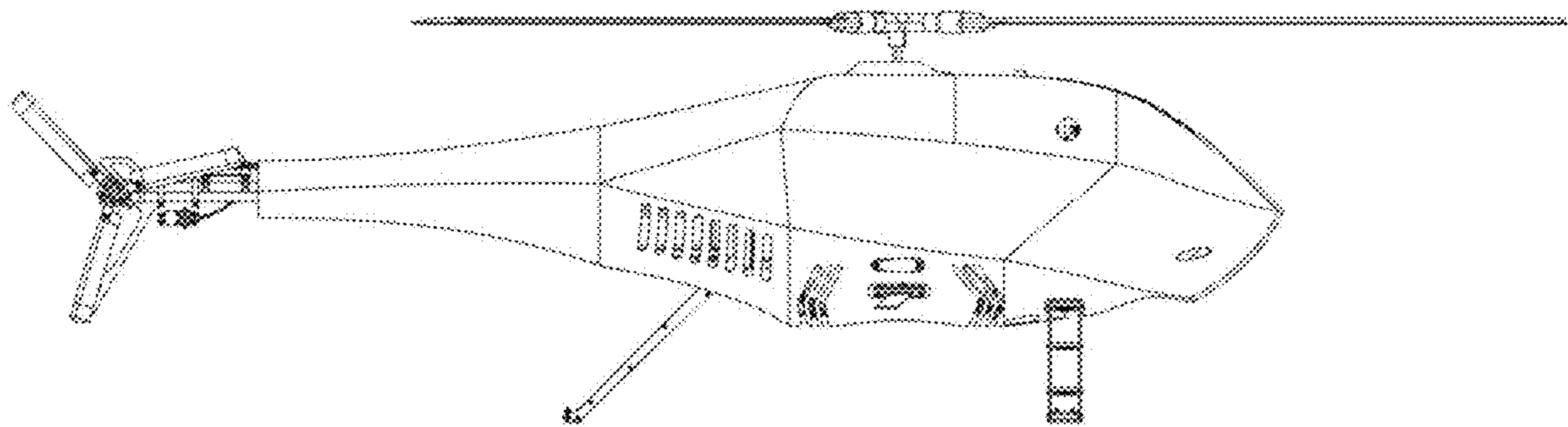
1.3



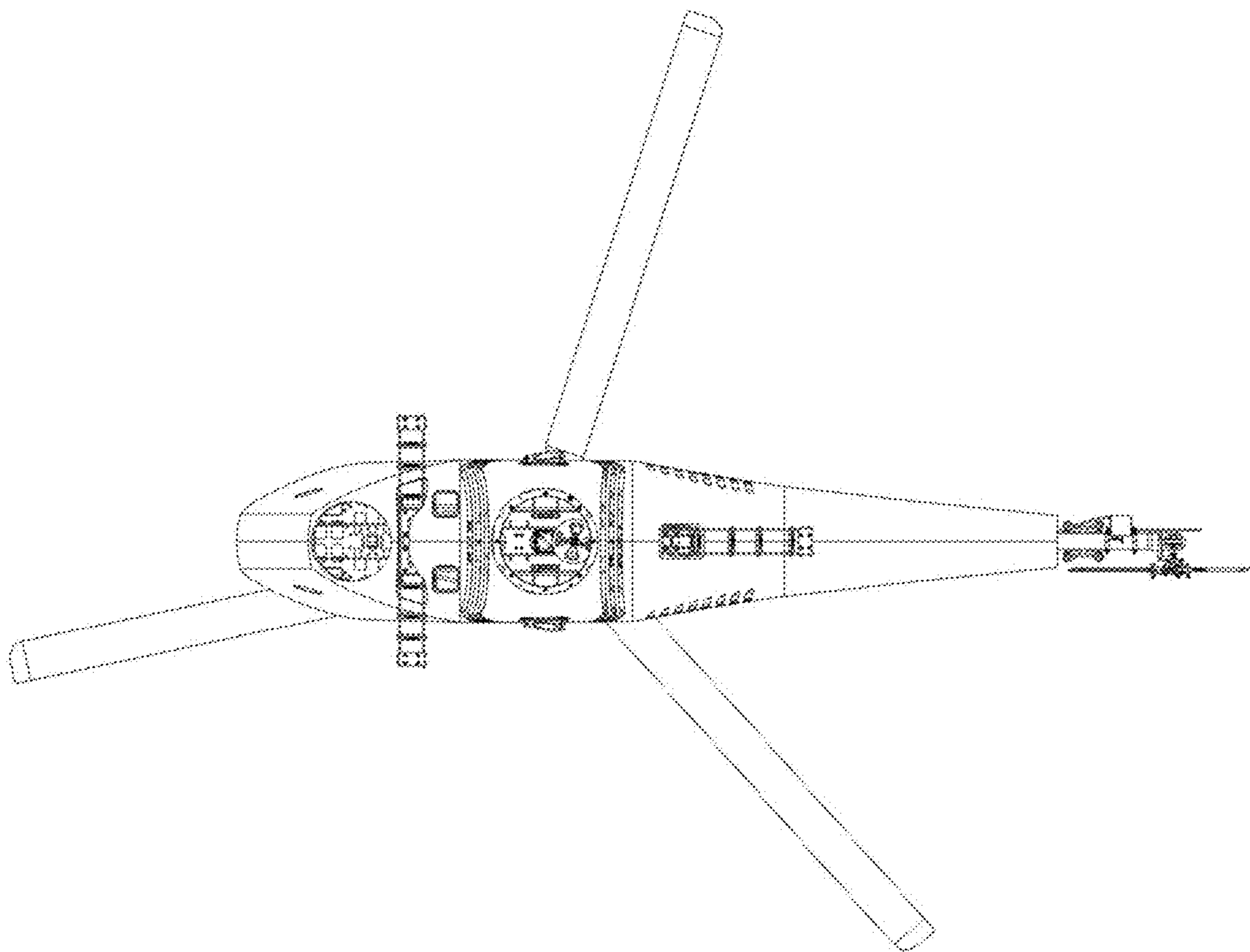
1.4



1.5



1.6



1.7

