



US00D948377S

(12) **United States Design Patent**
Reilly

(10) **Patent No.:** **US D948,377 S**

(45) **Date of Patent:** **** Apr. 12, 2022**

(54) **GARBAGE TRUCK OVER POUR CHUTE**

(71) Applicant: **Kevin Jason Reilly**, Grand Forks, ND
(US)

(72) Inventor: **Kevin Jason Reilly**, Grand Forks, ND
(US)

(**) Term: **15 Years**

(21) Appl. No.: **29/768,654**

(22) Filed: **Jan. 31, 2021**

(51) **LOC (13) Cl.** **08-12**

(52) **U.S. Cl.**
USPC **D12/15**

(58) **Field of Classification Search**
USPC D12/15; D34/28; D15/28
CPC B65F 3/00; B65F 3/20; B65F 3/001; B65F
3/205

See application file for complete search history.

(56) **References Cited**

U.S. PATENT DOCUMENTS

D242,839 S *	12/1976	Lifstrom	D12/15
D272,813 S *	2/1984	Pickrell	D12/15
4,691,959 A *	9/1987	Verner	B65F 3/28 296/182.1
D294,013 S *	2/1988	Neufeldt	D12/15
4,726,726 A *	2/1988	Dossena	B65F 3/048 414/404
D302,983 S *	8/1989	Dehlen	D15/147
D310,501 S *	9/1990	Brys	D12/97
D322,419 S *	12/1991	Camillieri	D12/96
D333,449 S *	2/1993	Camillieri	D12/15
D364,028 S *	11/1995	Rouleau	D7/688
D367,627 S *	3/1996	Brys	D12/97
D367,830 S *	3/1996	Brys	D12/97
D370,875 S *	6/1996	McNeilus	D12/15
D381,173 S *	7/1997	Franklin	D34/28

D710,912 S *	8/2014	Wehmeier	D15/28
D754,226 S *	4/2016	Caylor	D15/147
D827,675 S *	9/2018	Bolinder	D15/21
D827,676 S *	9/2018	Bolinder	D15/21
10,752,439 B2 *	8/2020	Musso	B65F 3/24
D938,305 S *	12/2021	Conny	D12/15
2019/0009983 A1 *	1/2019	Musso	B65F 3/20

* cited by examiner

Primary Examiner — Mark A Goodwin

(74) *Attorney, Agent, or Firm* — Ross Brandborg

(57) **CLAIM**

The ornamental design for a garbage truck over pour chute, as shown and described.

DESCRIPTION

FIG. 1 is a top plan view of a garbage truck over pour chute showing my new design;

FIG. 2 is a top, right side perspective view thereof with the invention shown in a down position;

FIG. 3 is a top, right side perspective view thereof with the invention shown in an up position;

FIG. 4 is a right side view thereof with the invention shown in a down position;

FIG. 5 is a right side view thereof with the invention shown in an up position;

FIG. 6 is a left side view thereof with the invention shown in an up position; and,

FIG. 7 is a back view thereof with the invention shown in an up position.

The garbage truck over pour chute is symmetrical on the right and left sides.

The broken line showing of a garbage truck in FIGS. 1-7 is for environmental purposes only and form no part of the claimed design. The wavy broken line showing in FIGS. 4-6 that cut off the front portion of the garbage truck are for ease of illustration and form no part of the claimed design.

1 Claim, 7 Drawing Sheets

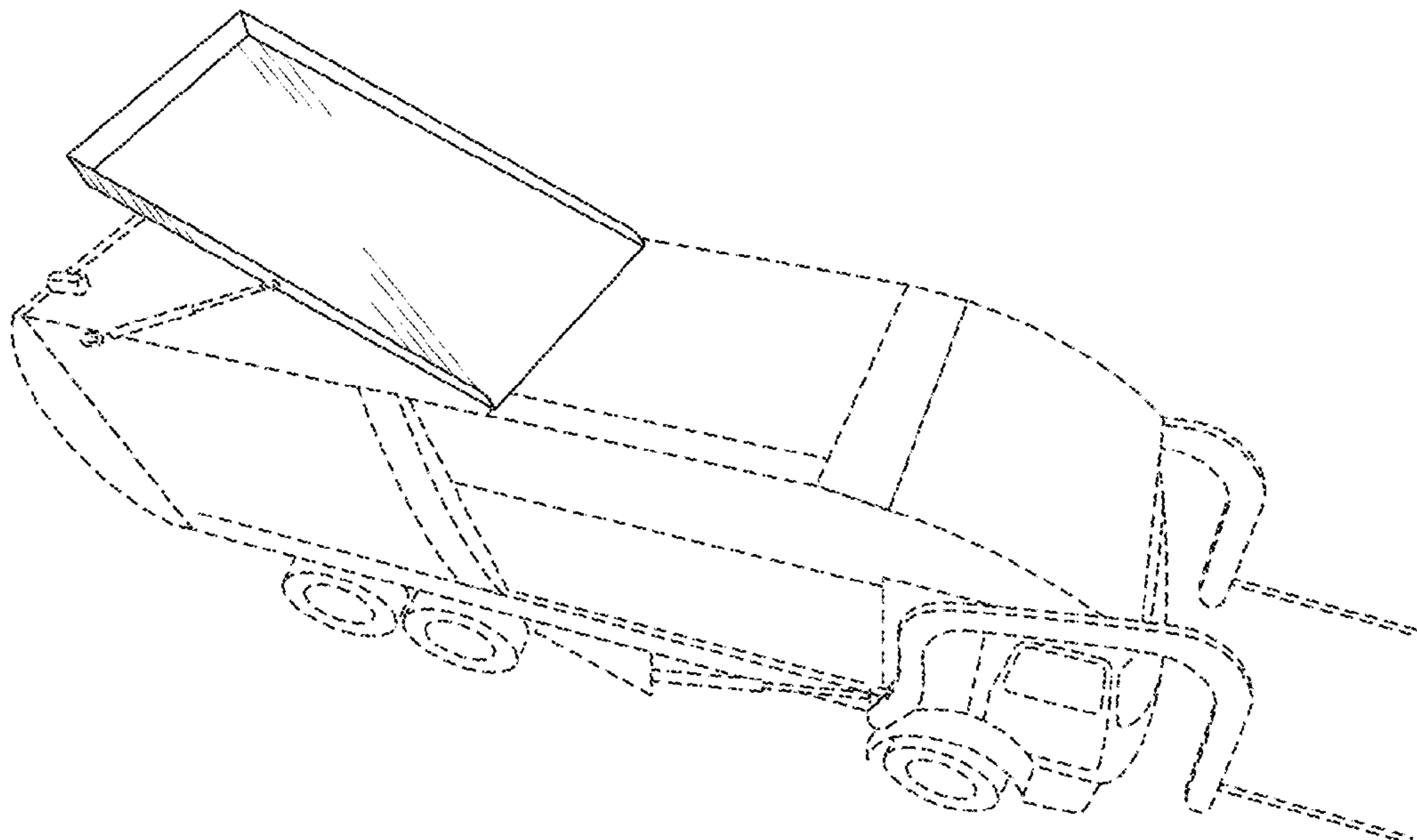


FIG. 1

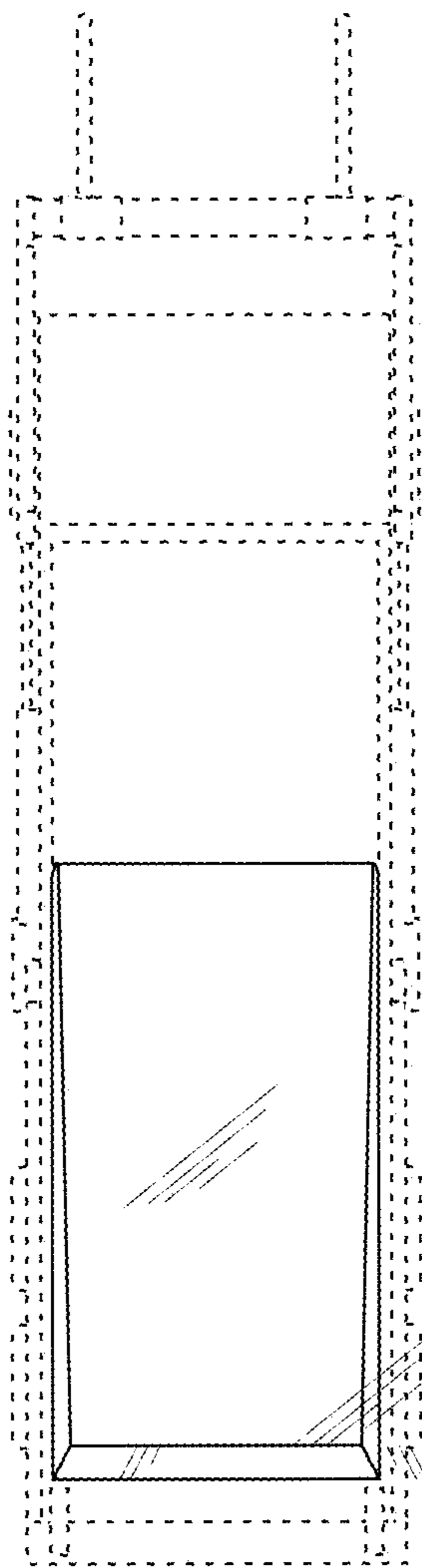


FIG.2

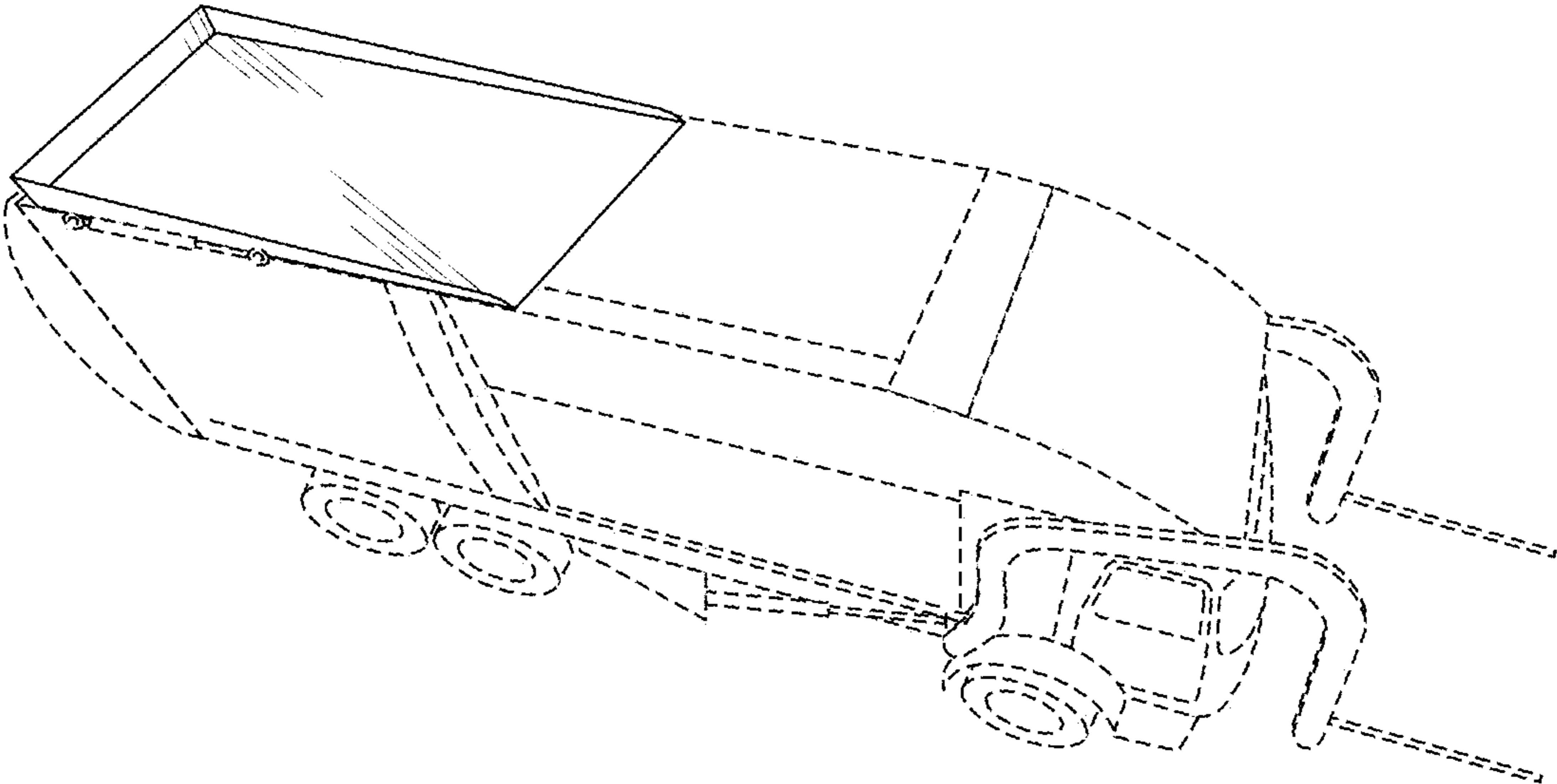


FIG.3

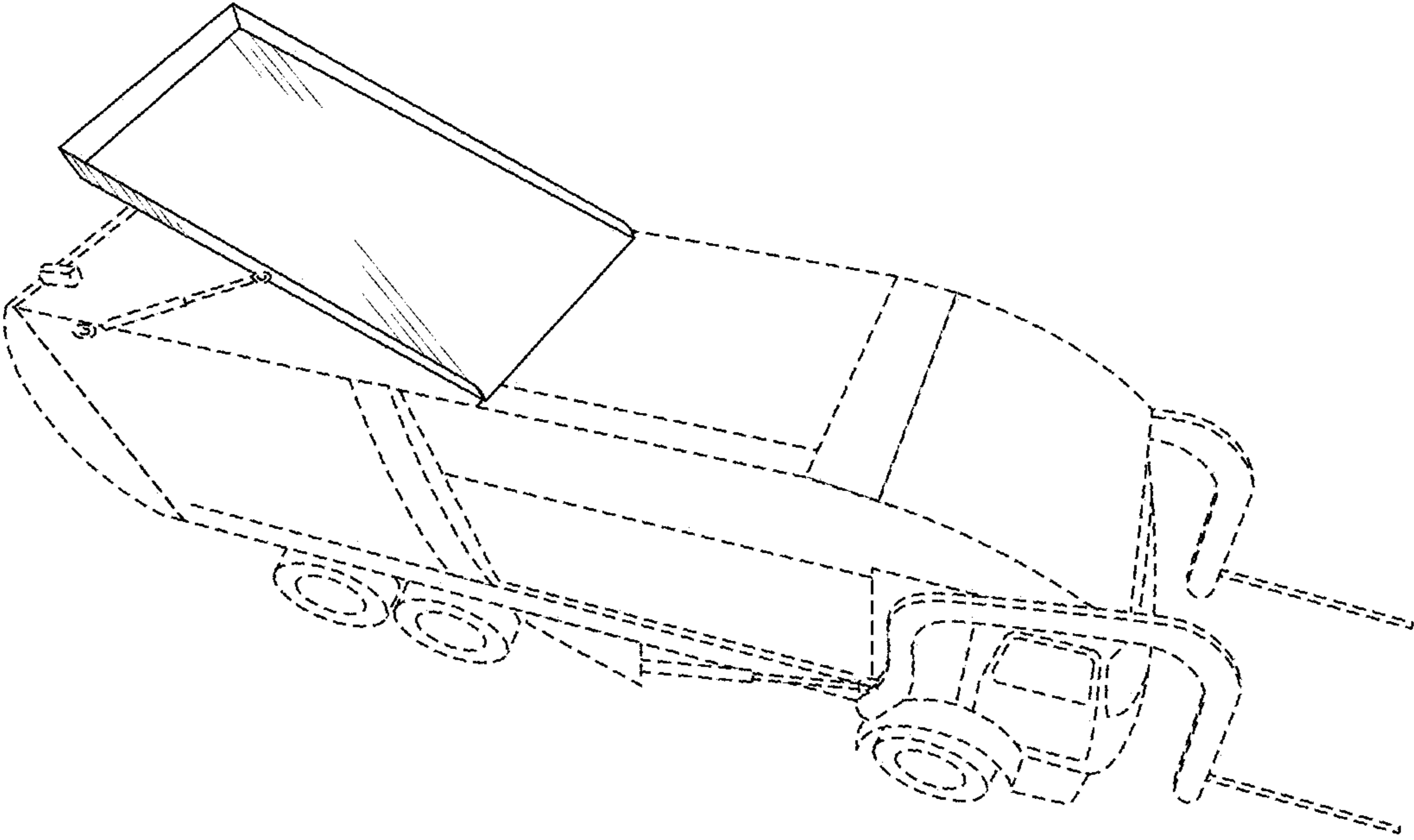


FIG.4

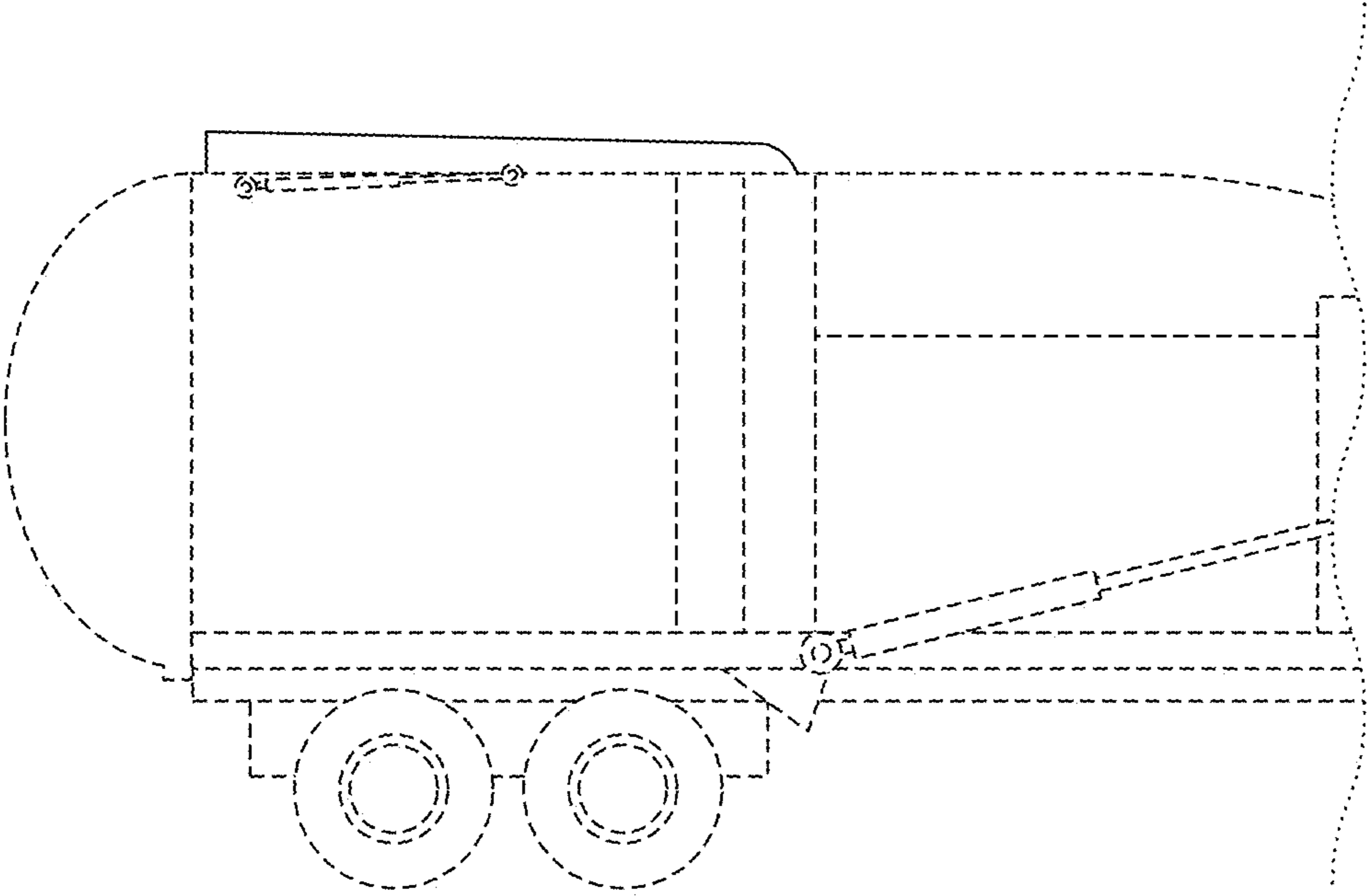


FIG.5

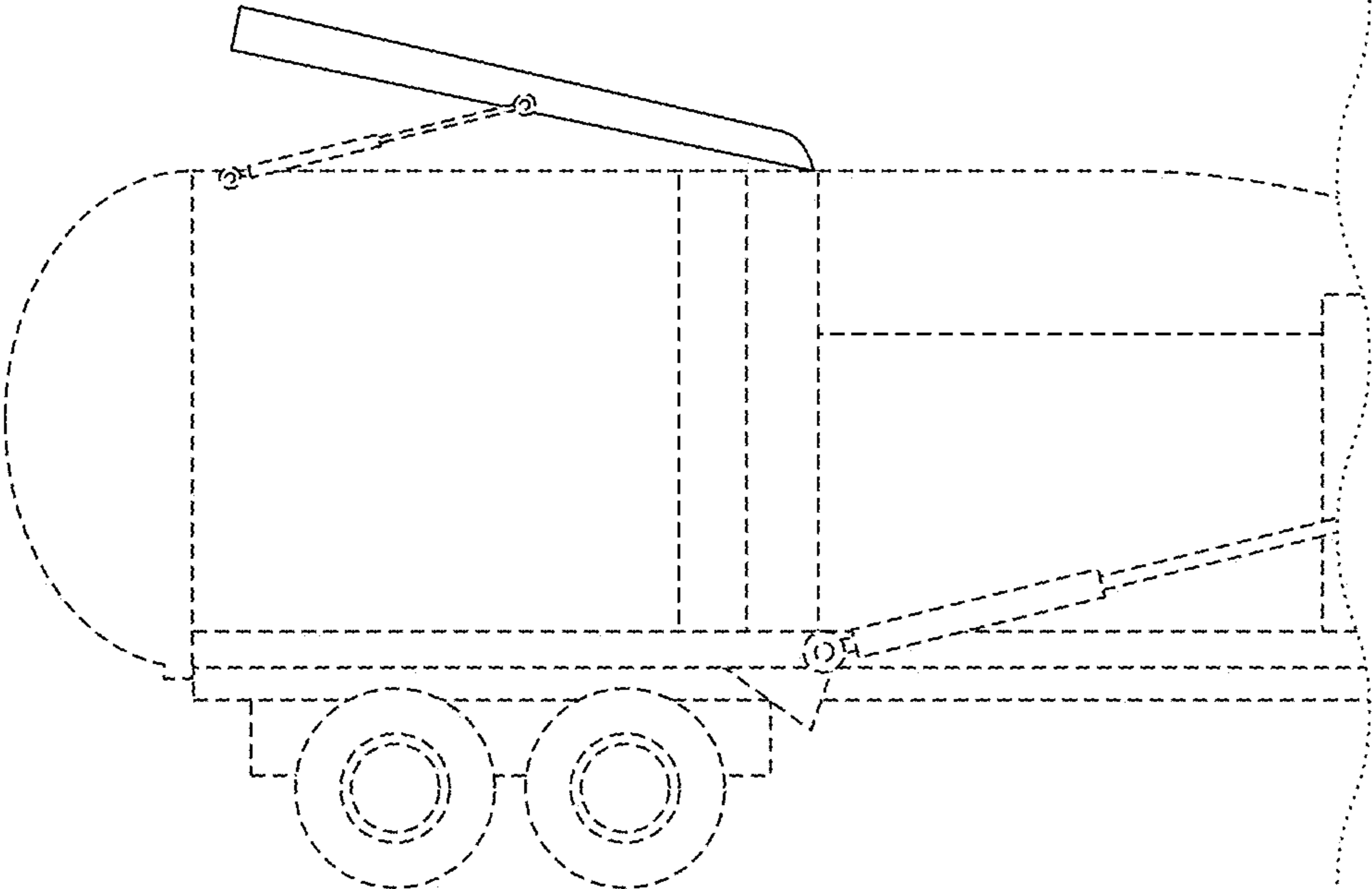


FIG.6

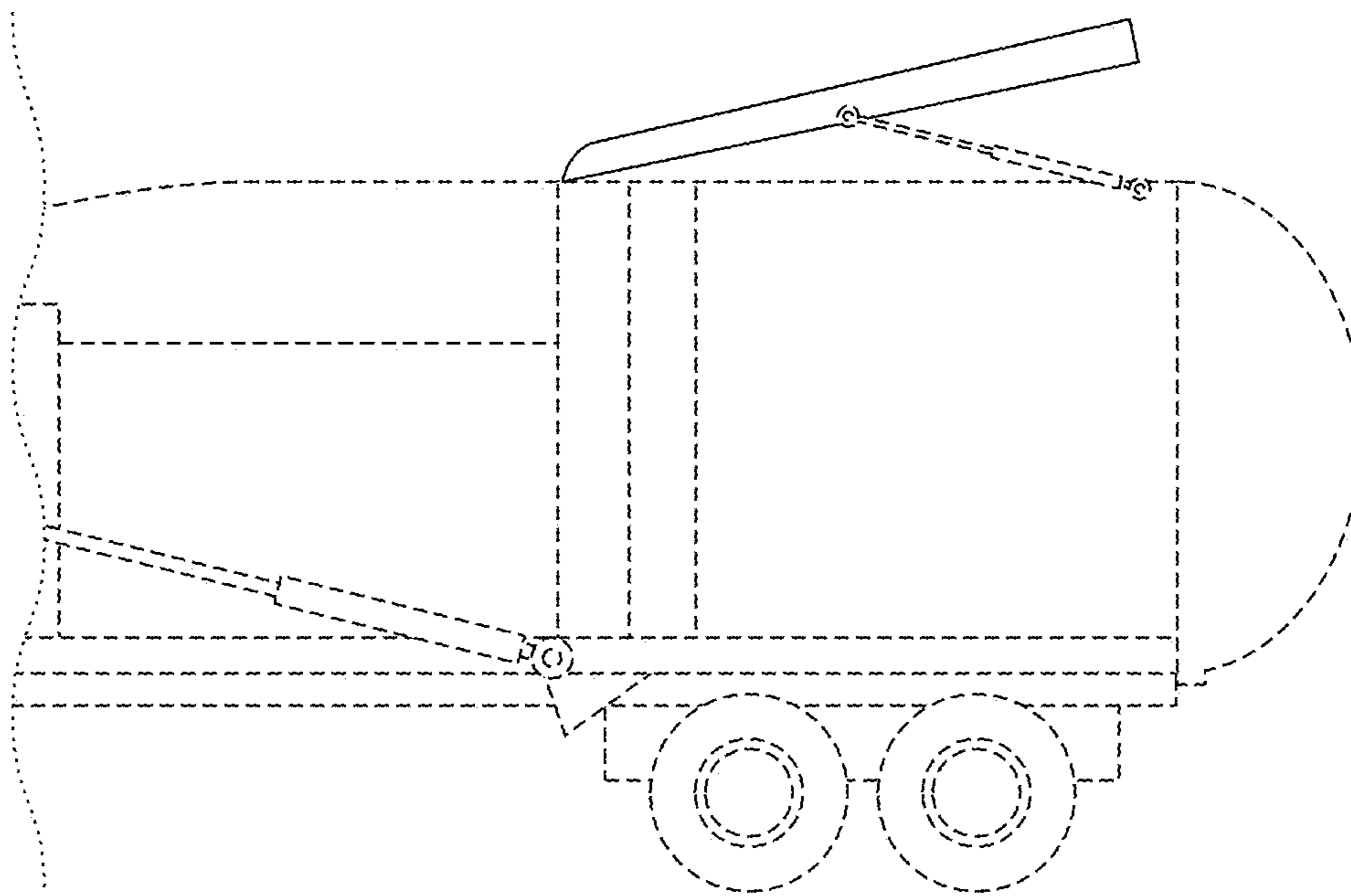


FIG.7

