



US00D948376S

(12) **United States Design Patent** (10) **Patent No.:** **US D948,376 S**  
**Liu** (45) **Date of Patent:** **\*\* Apr. 12, 2022**

(54) **SLACK**  
(71) Applicant: **Shanjun Liu**, Taizhou (CN)  
(72) Inventor: **Shanjun Liu**, Taizhou (CN)  
(\*\*) Term: **15 Years**

D672,281 S \* 12/2012 Schurian ..... D11/218  
D703,096 S \* 4/2014 Kelleghan ..... D11/218  
D704,095 S \* 5/2014 Kowalewski ..... D11/200  
D719,483 S \* 12/2014 Wilson ..... D11/200  
9,486,028 B1 \* 11/2016 VanHoutin ..... A44B 17/0088  
D885,254 S \* 5/2020 Jiang ..... D11/218  
D932,937 S \* 10/2021 Tabor ..... D11/218

(Continued)

(21) Appl. No.: **29/731,681**  
(22) Filed: **Apr. 17, 2020**  
(51) **LOC (13) Cl.** ..... **02-07**  
(52) **U.S. Cl.**  
USPC ..... **D11/218**  
(58) **Field of Classification Search**  
USPC .... D11/1, 26–29, 34, 37, 38, 40, 41, 43, 45,  
D11/48, 51, 52, 57, 58, 62, 70, 76, 79,  
D11/80–86, 89, 95, 201, 208–210, 212,  
D11/214, 215, 216, 218, 220, 221, 228;  
D8/353, 354  
CPC ..... A44C 3/00; A44C 3/008; A44C 13/00;  
A44B 11/00; A44B 11/001; A44B 11/006;  
A44B 11/065; A44B 11/02; A44B 11/04;  
A44B 11/10; A44B 11/18; A44B 11/20;  
A44B 11/2538; A44B 6/00  
See application file for complete search history.

FOREIGN PATENT DOCUMENTS

CN RGN-306357433 \* 3/2020  
CN RGN-306070091 \* 9/2020  
CN RGN\_306326750 \* 2/2021

OTHER PUBLICATIONS

Ninja Warrior Obstacle Course for Kids (available online Jun. 11, 2020) Retrieved from the internet Oct. 8, 2021 from URL: <https://www.amazon.com/Ninja-Warrior-Obstacle-Course-Kids/dp/B087X74DK3?th=1>\*

(Continued)

Primary Examiner — Richard Kearney

(57) **CLAIM**

The ornamental design for a slack, as shown and described.

**DESCRIPTION**

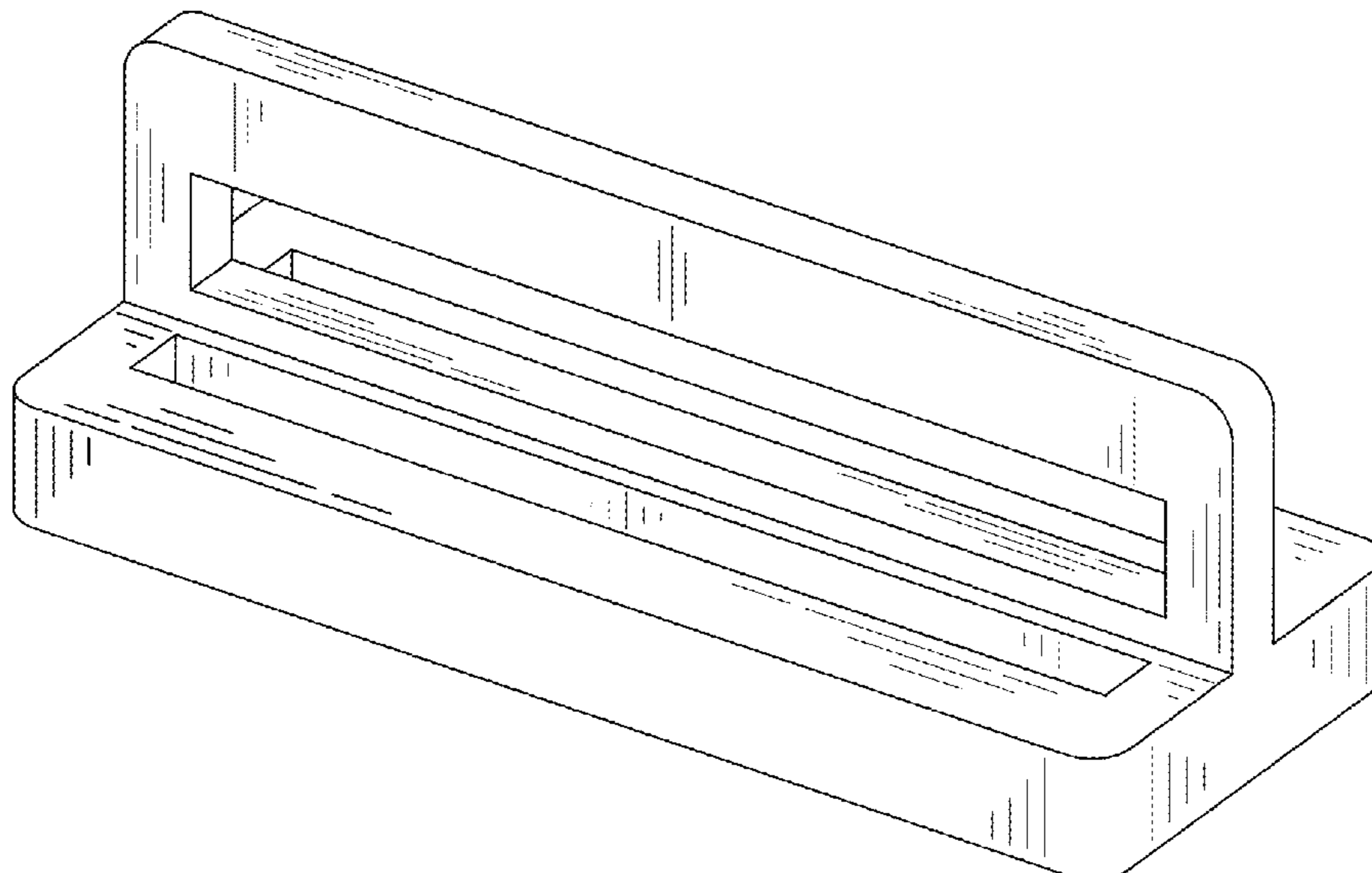
FIG. 1 is a perspective view of a slack showing my new design;  
FIG. 2 is a front view thereof;  
FIG. 3 is a back view thereof;  
FIG. 4 is a left side view thereof;  
FIG. 5 is a right side view thereof;  
FIG. 6 is a top view thereof; and,  
FIG. 7 is a bottom view thereof.  
The broken lines shown in the drawings depict portions of the slack in which the design is embodied that form no part of the claimed design.

**1 Claim, 7 Drawing Sheets**

(56) **References Cited**

U.S. PATENT DOCUMENTS

703,584 A \* 7/1902 Hodges ..... A44B 11/006  
24/164  
3,193,941 A \* 7/1965 Hoffman ..... A44C 9/02  
33/514.1  
D284,521 S \* 7/1986 Forrest ..... D11/218  
D290,349 S \* 6/1987 Kasai ..... D11/218  
D359,710 S \* 6/1995 Chinni ..... D11/218  
5,715,580 A \* 2/1998 Johnson, III ..... A44B 11/006  
24/197  
5,735,023 A \* 4/1998 Smith ..... A44B 11/006  
24/163 K  
D622,062 S \* 8/2010 Grubstein ..... D3/318  
D631,787 S \* 2/2011 Grimm ..... D11/218



(56)

**References Cited**

U.S. PATENT DOCUMENTS

2015/0135483 A1\* 5/2015 Grimm ..... A44B 11/266  
24/163 R  
2017/0150787 A1\* 6/2017 Custer ..... A44B 11/04  
2020/0352285 A1\* 11/2020 Wang ..... A44B 11/24

OTHER PUBLICATIONS

YYXT Ninja Warrior Obstacle Course For Kids (available online)  
Retrieved from the internet Oct. 8, 2021 from URL: [https://www.canjualeer.com/index.php?main\\_page=product\\_info&products\\_id=158701](https://www.canjualeer.com/index.php?main_page=product_info&products_id=158701).\*

\* cited by examiner

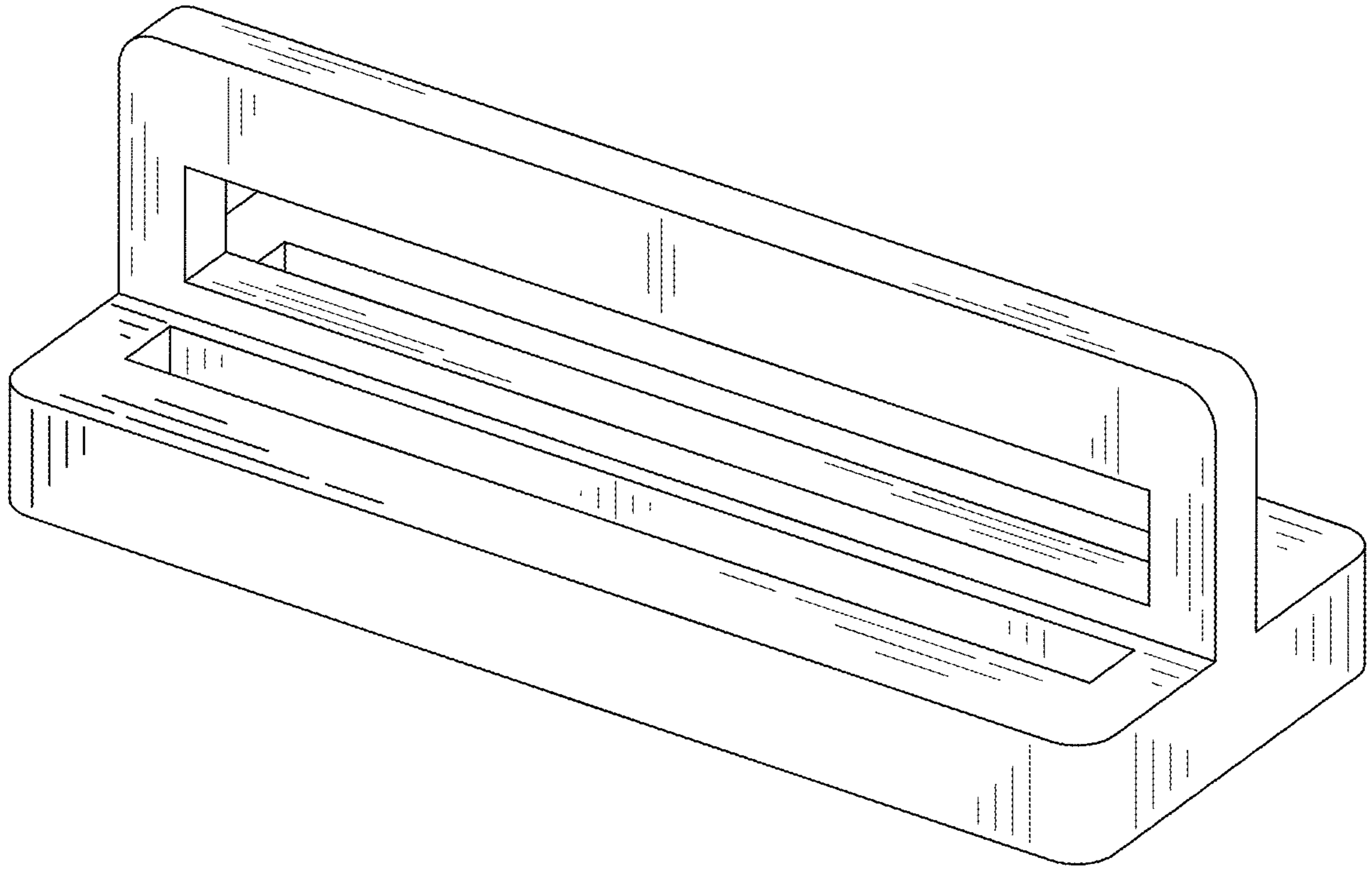


FIG. 1

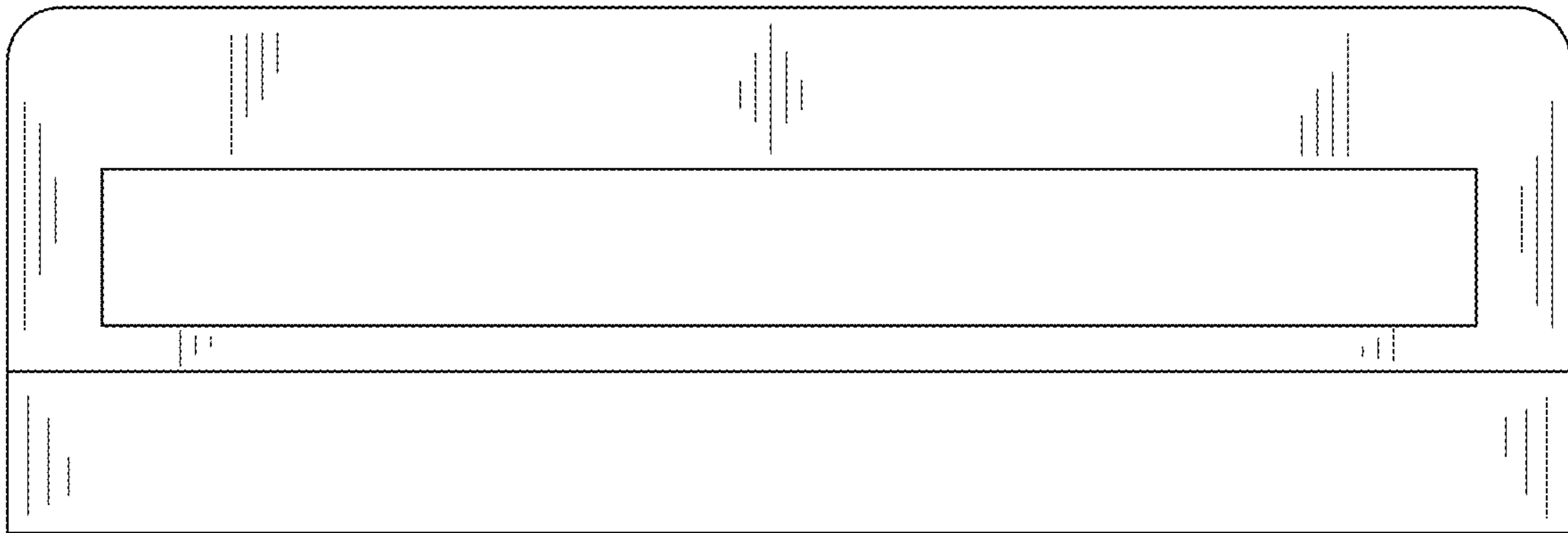


FIG. 2

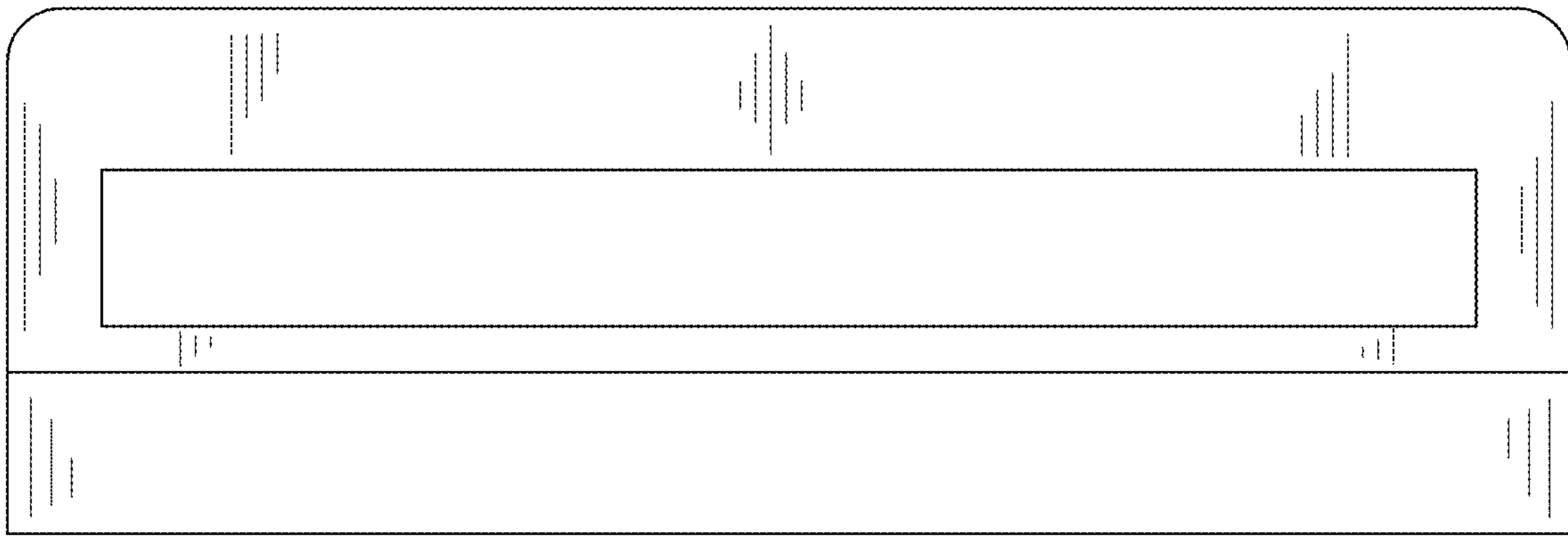


FIG. 3

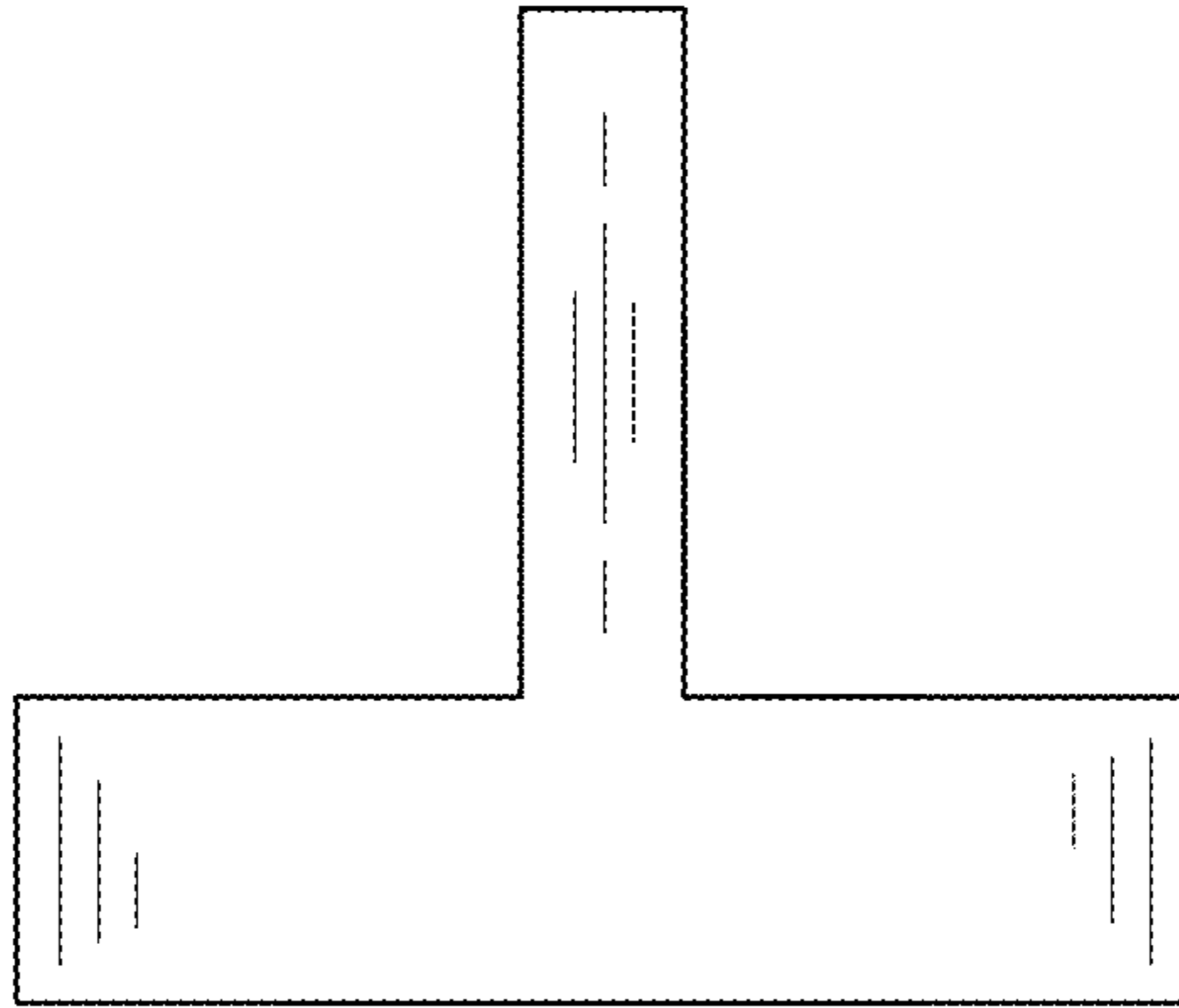


FIG. 4

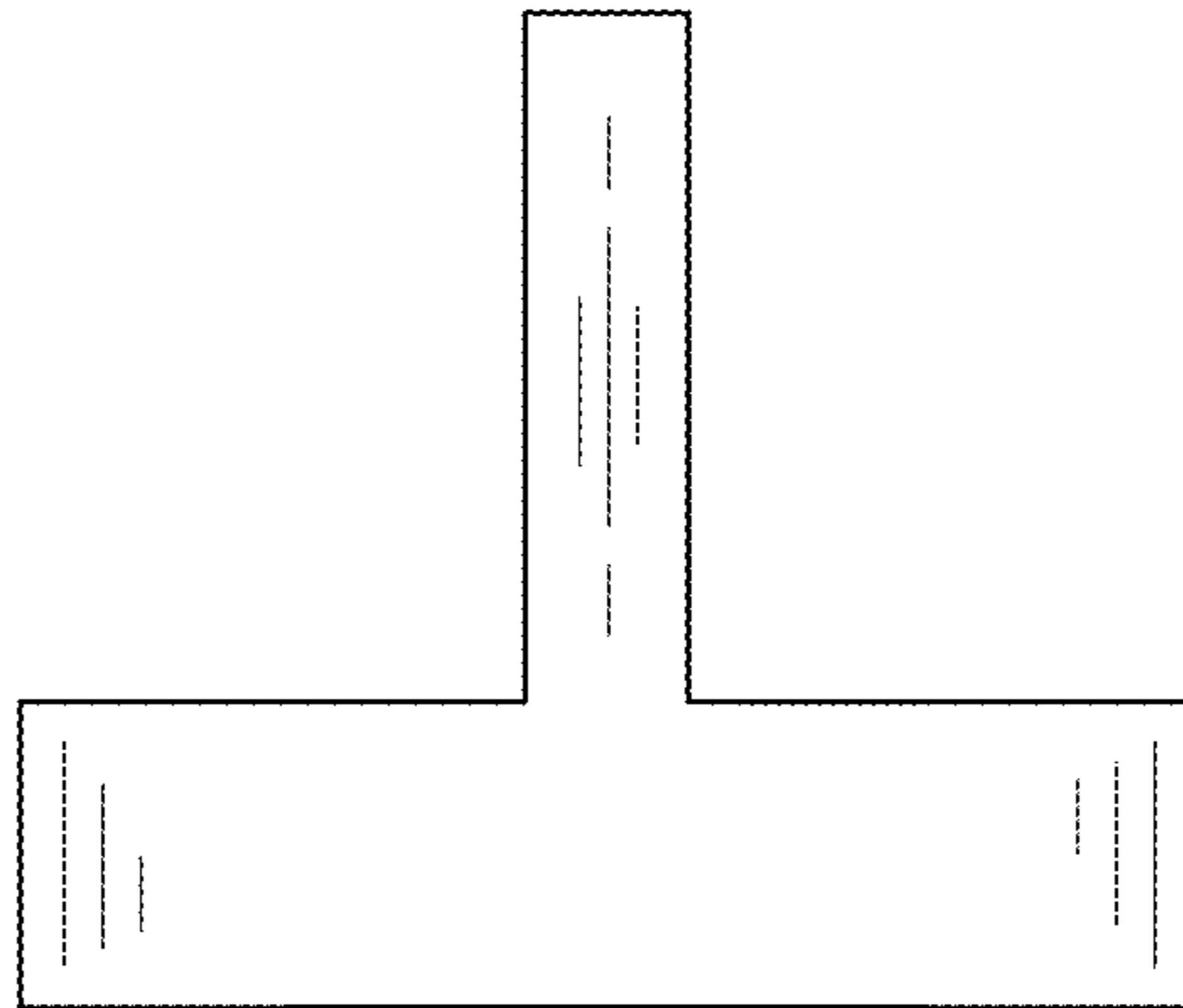


FIG. 5

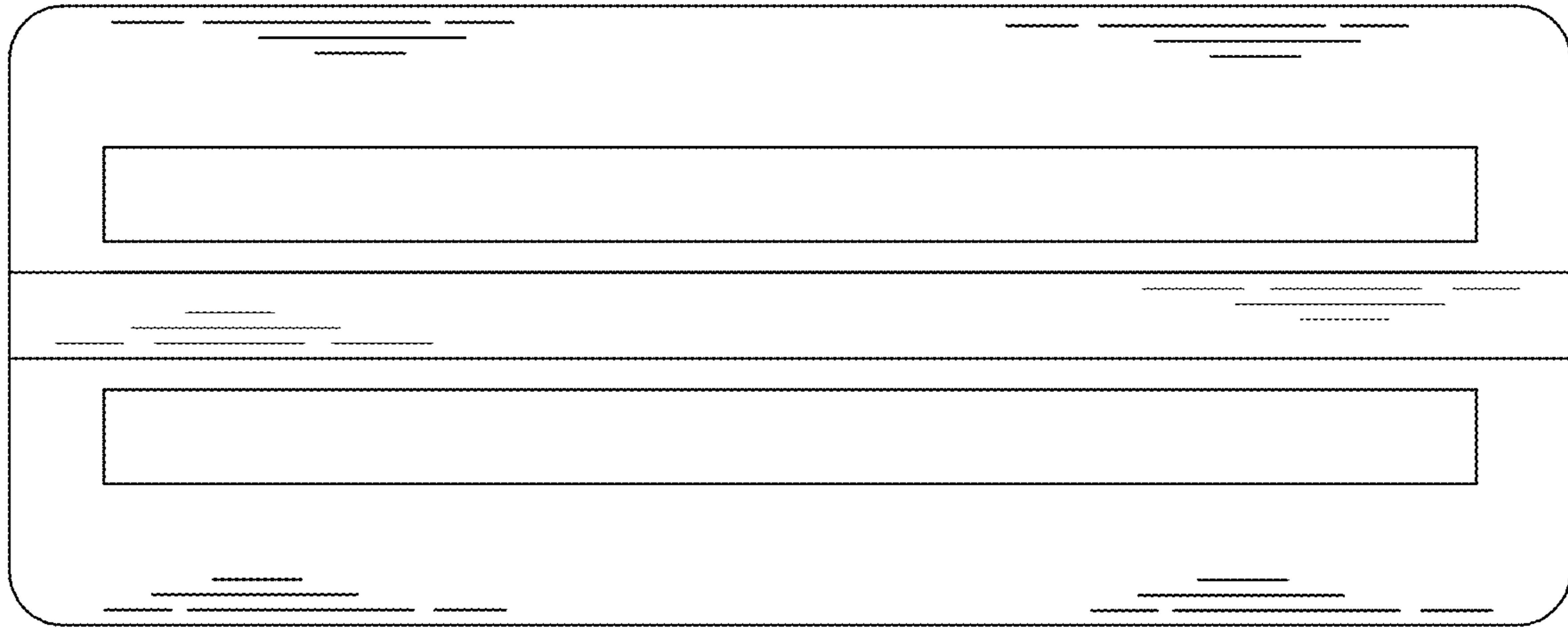


FIG. 6



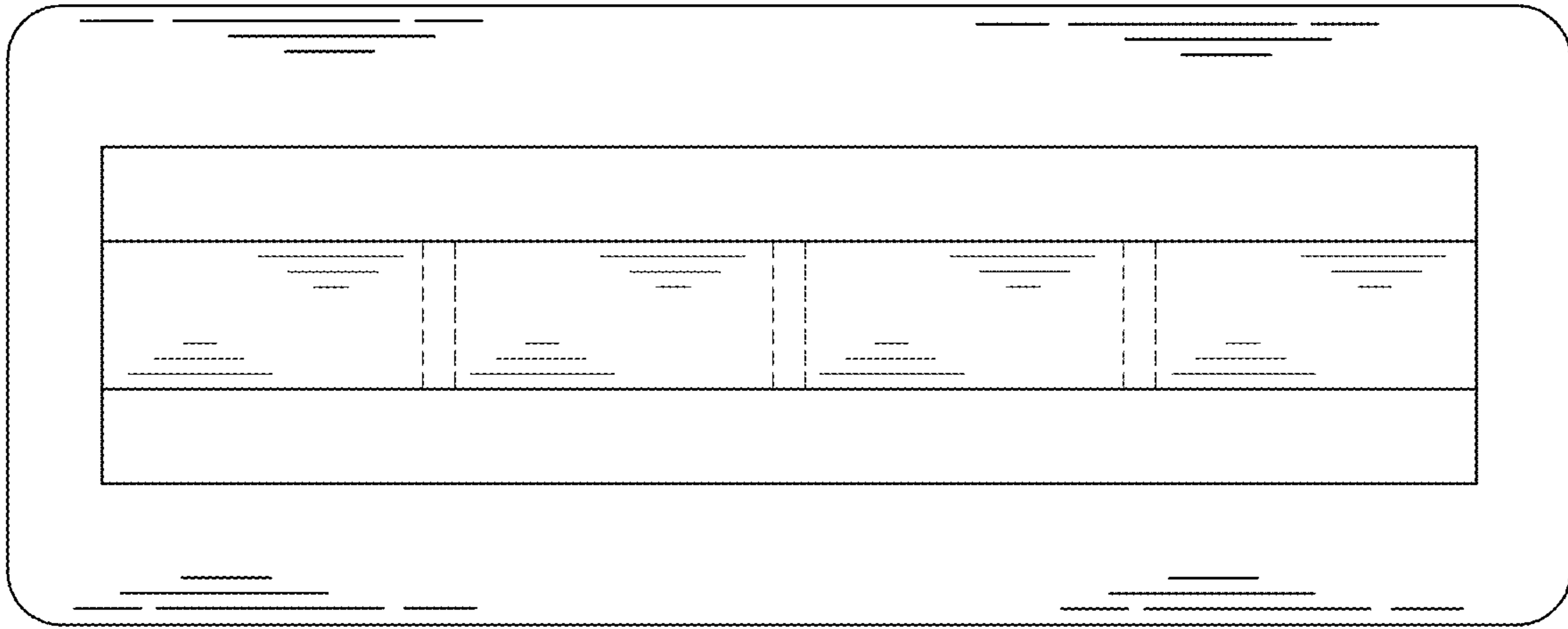


FIG. 7