



US00D948375S

(12) **United States Design Patent**
Dholakiya

(10) **Patent No.:** **US D948,375 S**

(45) **Date of Patent:** **** Apr. 12, 2022**

- (54) **PRECIOUS STONE SETTING**
- (71) Applicant: **H. K. Designs Inc.**, New York, NY (US)
- (72) Inventor: **Hasmukh H. Dholakiya**, New York, NY (US)
- (73) Assignee: **H. K. DESIGNS INC.**, New York, NY (US)
- (**) Term: **15 Years**
- (21) Appl. No.: **29/713,694**
- (22) Filed: **Nov. 18, 2019**
- (51) **LOC (13) Cl.** **11-01**
- (52) **U.S. Cl.**
USPC **D11/92**
- (58) **Field of Classification Search**
USPC D11/1-4, 26, 34-40, 79, 86, 91, 92
CPC A44C 17/00; A44C 17/001; A44C 17/005;
A44C 17/02; A44C 17/0275; A44C 17/0283; A44C 17/0291; A44C 25/001;
A44C 17/04
See application file for complete search history.

D783,446 S *	4/2017	Kothari	D11/91
D798,188 S *	9/2017	Wong	D11/92
D840,866 S *	2/2019	Parikh	D11/91
D854,964 S *	7/2019	Golden	D11/91
D872,634 S *	1/2020	Parikh	D11/91
D887,304 S *	6/2020	Kedia	D11/86
D893,340 S *	8/2020	Zheng	D11/42
D905,589 S *	12/2020	Golden	D11/91
D907,523 S *	1/2021	Shah	D11/86
2019/0021459 A1 *	1/2019	Lin	A44C 17/02
2019/0133267 A1 *	5/2019	De Los Santos	A44C 17/02

(Continued)

Primary Examiner — Llorelys Martinez

(74) *Attorney, Agent, or Firm* — Ostrolenk Faber LLP

(57) **CLAIM**

The ornamental design for a precious stone setting, as shown and described.

DESCRIPTION

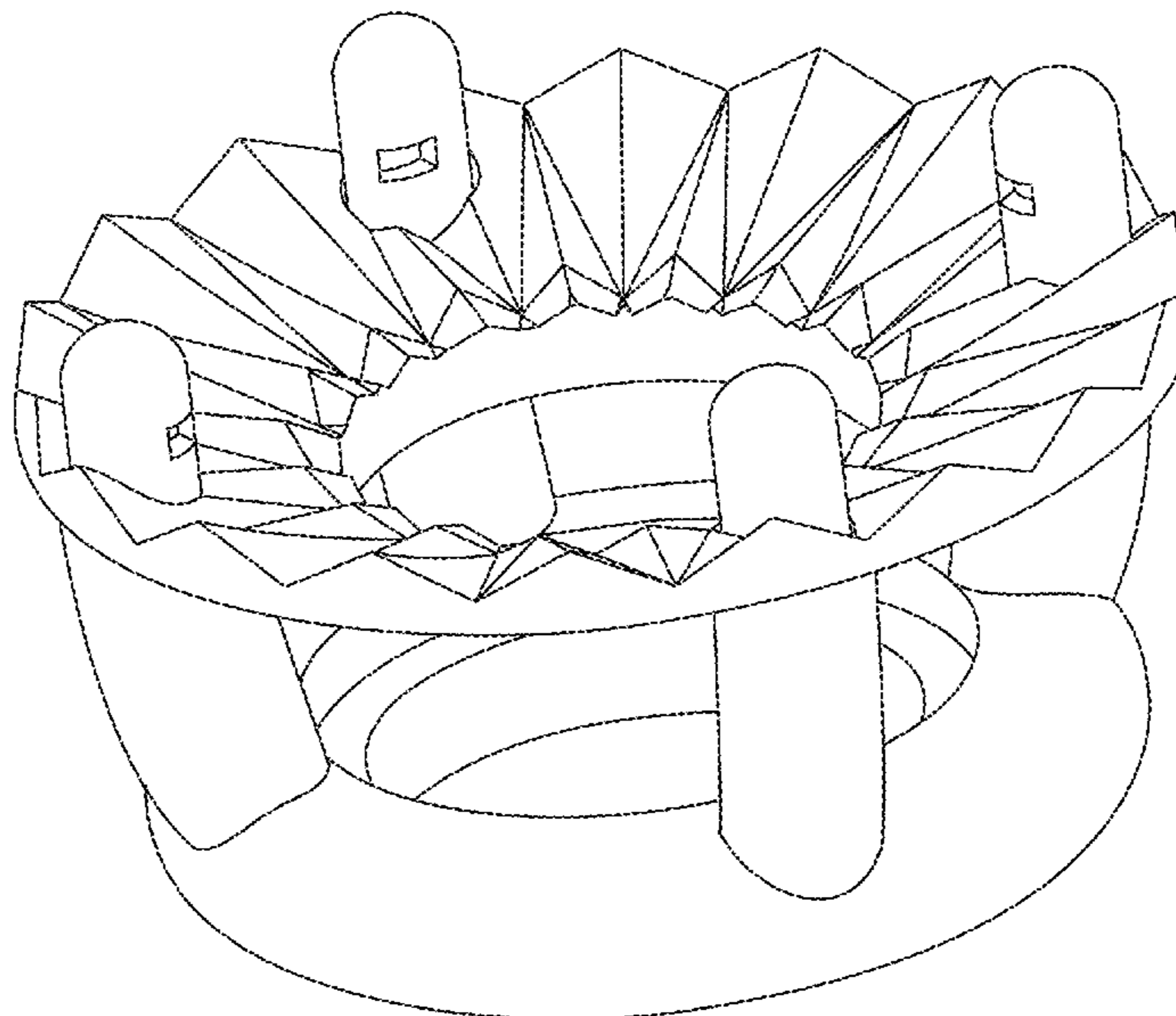
FIG. 1 is a perspective view of a precious stone setting showing my new design;
 FIG. 2 is a side view of FIG. 1, the opposite side view being a mirror image thereof;
 FIG. 3 is a top view of FIG. 1;
 FIG. 4 is another perspective view of FIG. 1, showing the precious stone setting in an alternate configuration;
 FIG. 5 is a perspective view of the plate portion of the precious stone setting of FIG. 1;
 FIG. 6 is a cross-sectional view of the plate portion of FIG. 5, taken along lines 6-6 in FIG. 5;
 FIG. 7 is a side view of the plate portion of FIG. 5, the opposite side view being a mirror image thereof; and,
 FIG. 8 is a top view of the plate portion of FIG. 5.
 The plate portion of the precious stone setting in FIGS. 5 through 8 has been shown separately to show aspects of the design that are not visible when combined.
 The broken lines in FIG. 4 represent portions of the precious stone setting that form no part of the claimed design.

1 Claim, 8 Drawing Sheets

(56) **References Cited**

U.S. PATENT DOCUMENTS

D54,976 S *	4/1920	Wittstein	D11/91
D55,597 S *	7/1920	Felger	D11/91
D57,217 S *	3/1921	Eliasoff	D11/92
D268,336 S *	3/1983	Shapiro	D11/79
5,056,337 A *	10/1991	Nhaissi	A44C 17/02 63/26
D642,085 S *	7/2011	Modi	D11/1
D644,141 S *	8/2011	George	D11/79
D687,337 S *	8/2013	Kothari	D11/91
D693,726 S *	11/2013	Kothari	D11/91
D728,412 S *	5/2015	Dobashi	D11/91
D732,419 S *	6/2015	Wong	D11/86



(56)

References Cited

U.S. PATENT DOCUMENTS

2019/0298012 A1* 10/2019 Das A44C 17/02
2020/0375325 A1* 12/2020 Marcus A44C 17/02

* cited by examiner

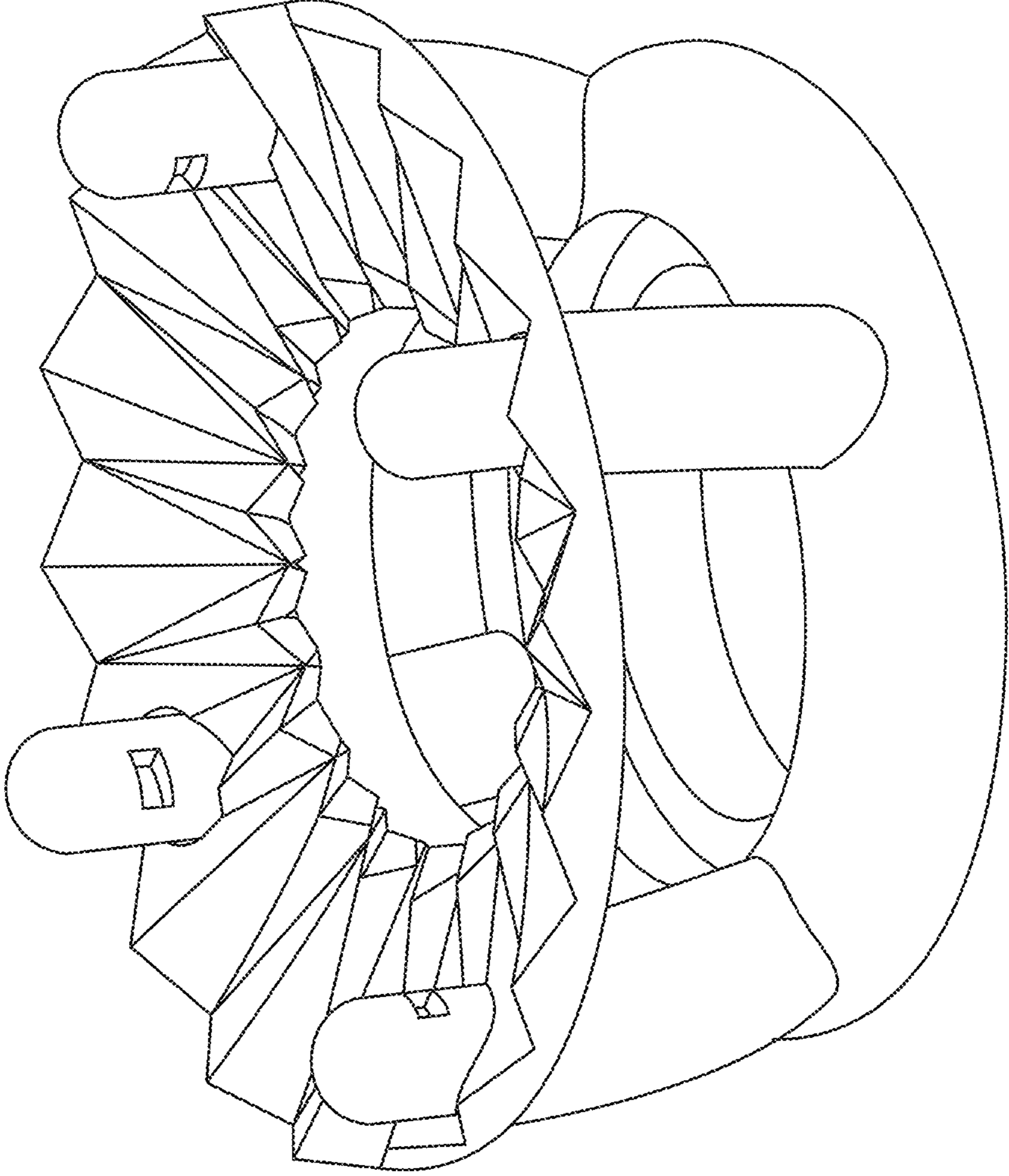


FIG. 1

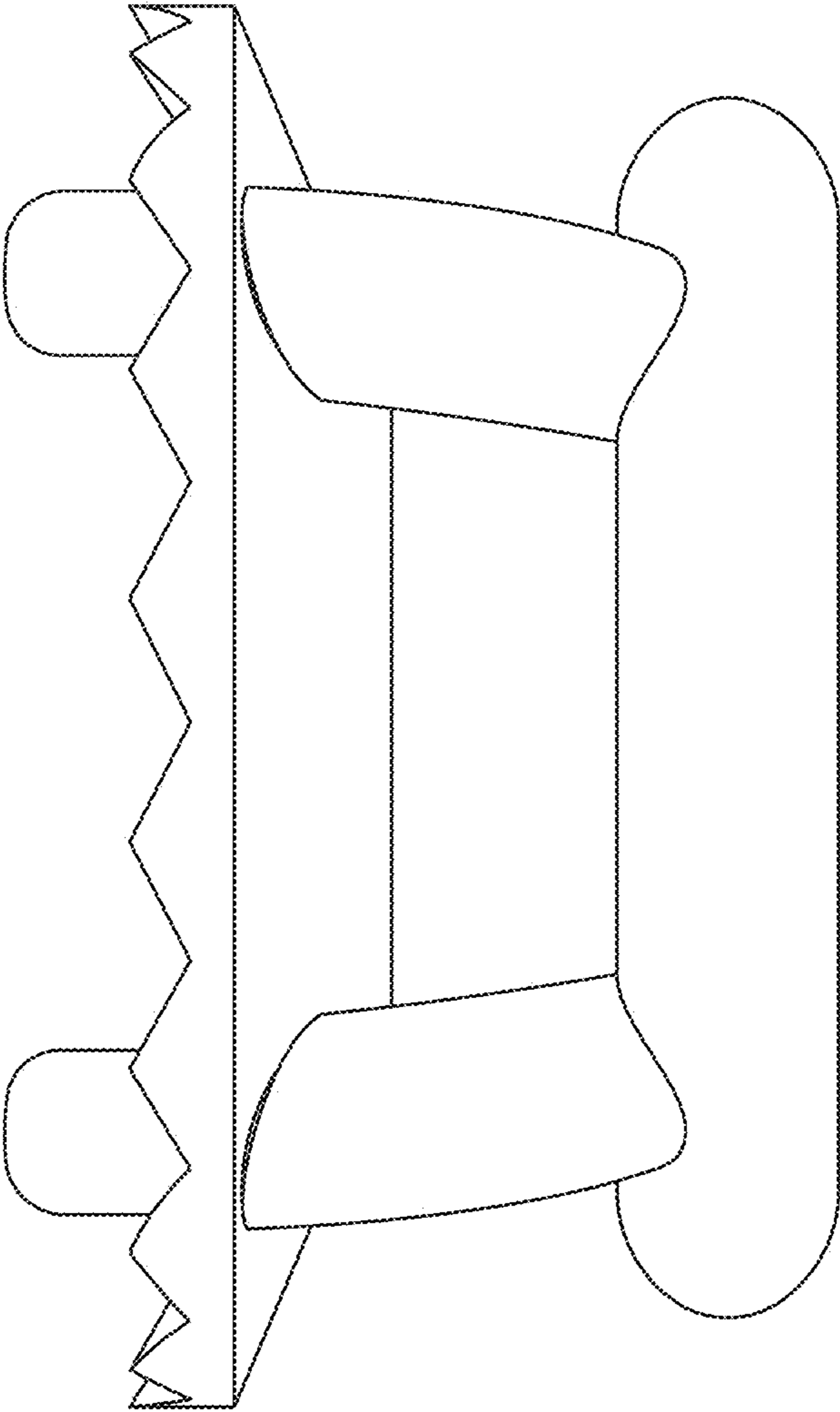


FIG. 2

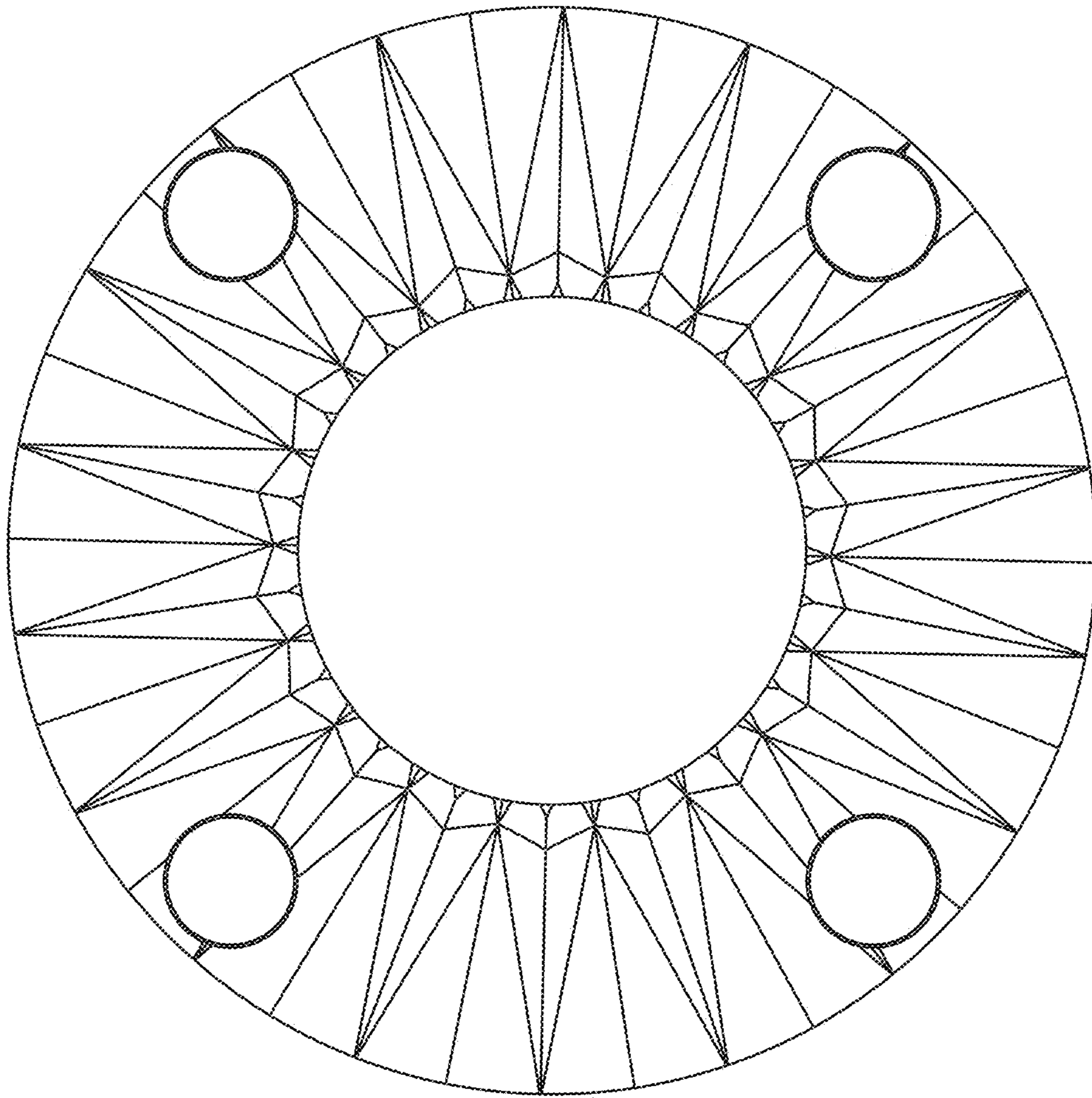


FIG. 3

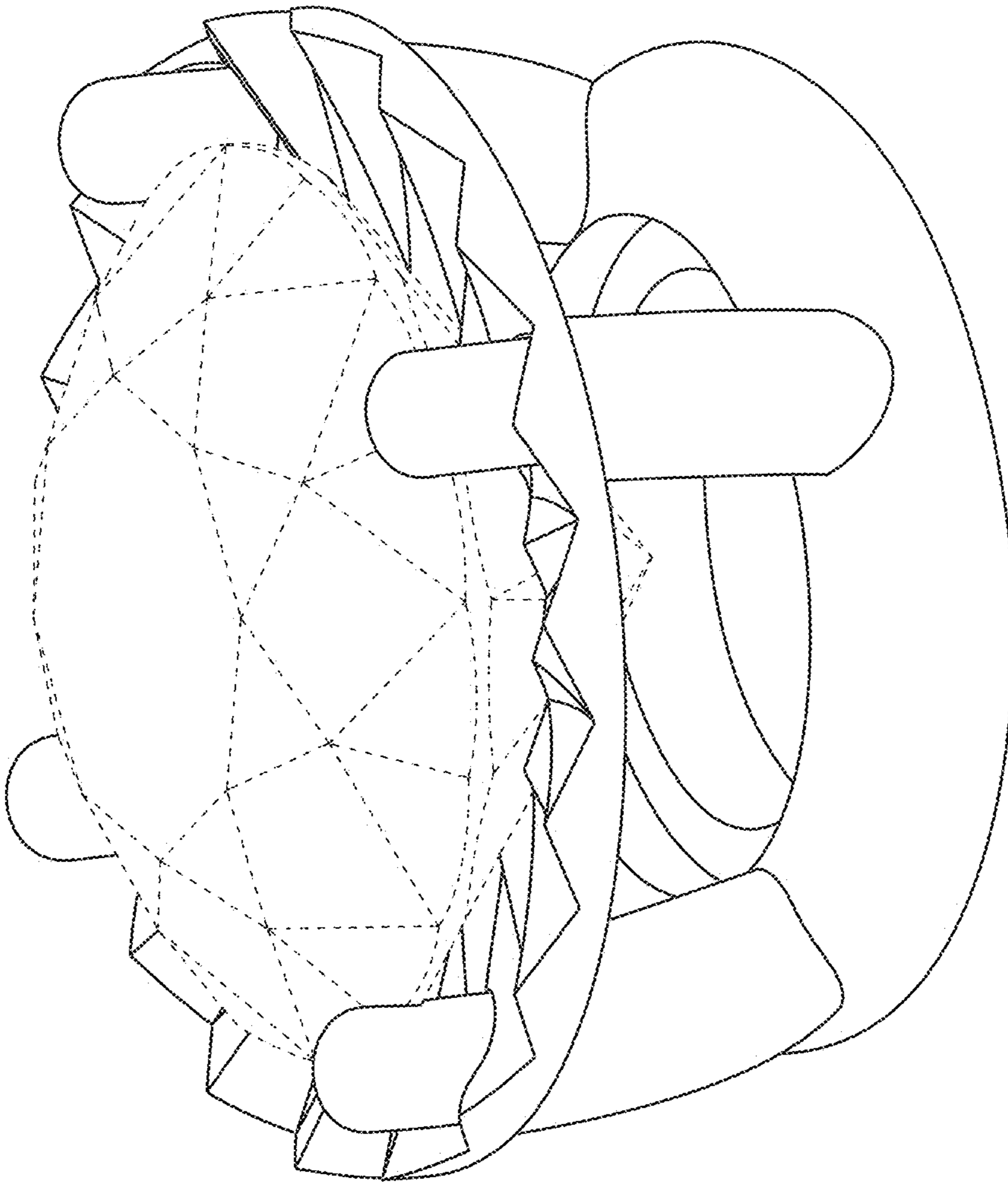
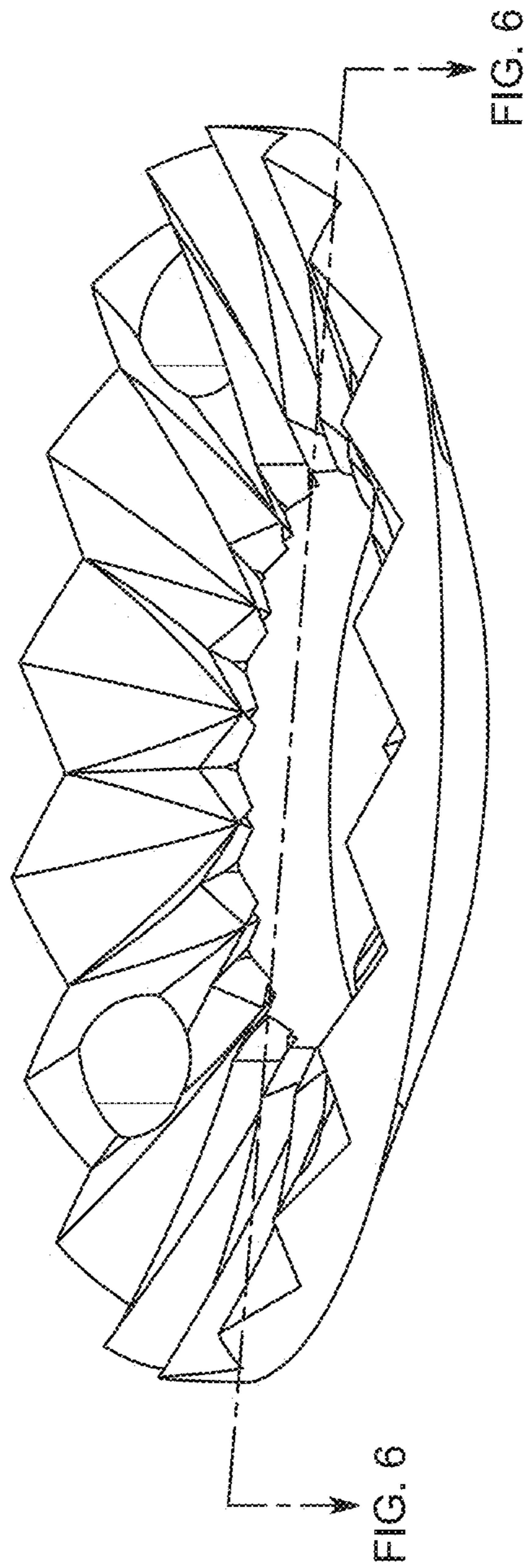


FIG. 4



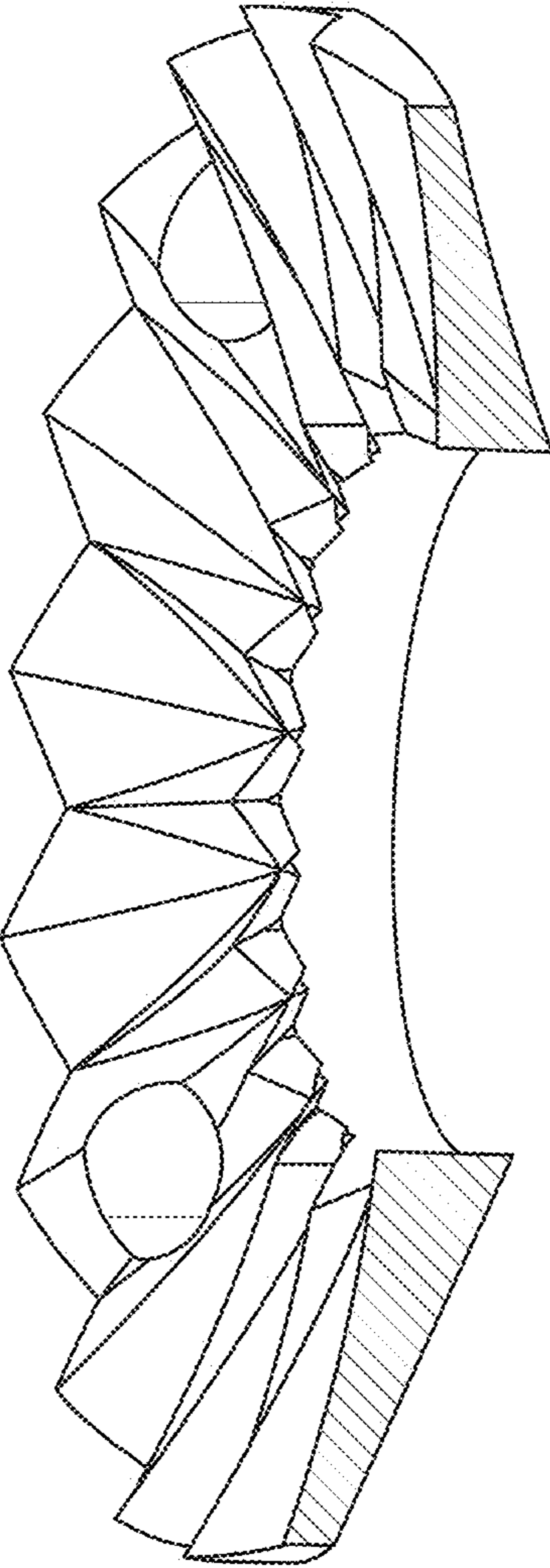


FIG. 6

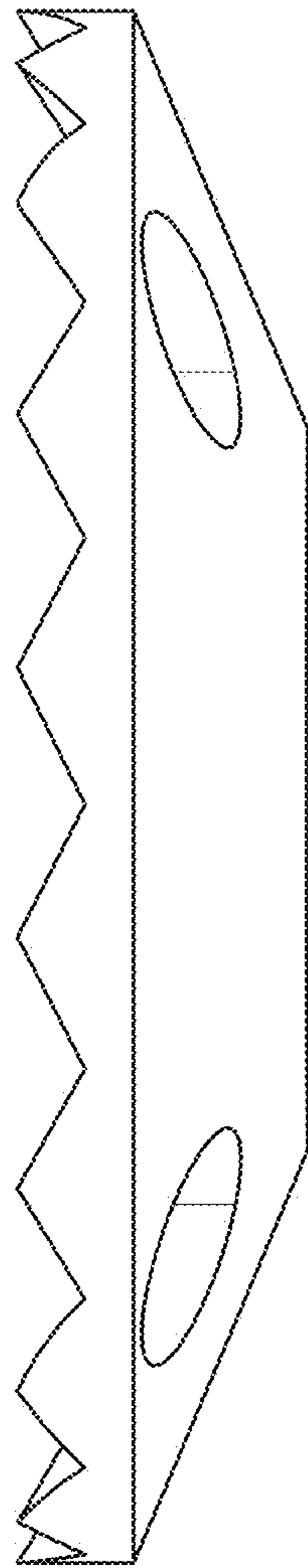


FIG. 7

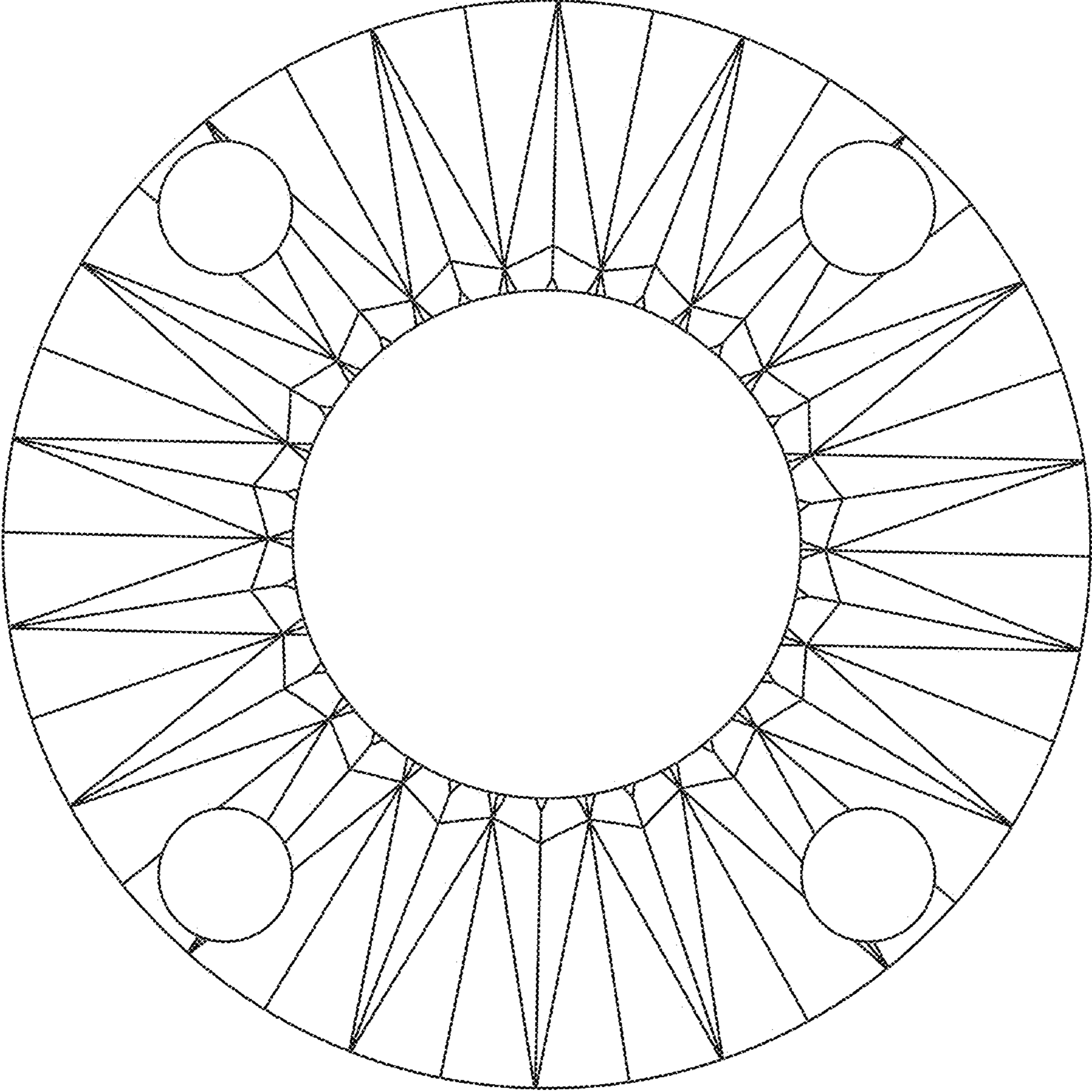


FIG. 8