



US00D948372S

(12) **United States Design Patent** (10) **Patent No.:** **US D948,372 S**
Tashjian (45) **Date of Patent:** **** Apr. 12, 2022**

(54) **JEWELRY ITEM**
(71) Applicant: **Venus by Maria Tash, Inc.**, New York, NY (US)
(72) Inventor: **Maria Tashjian**, New York, NY (US)
(73) Assignee: **Venus by Maria Tash, Inc.**, New York, NY (US)
(**) Term: **15 Years**

1,332,206 A * 3/1920 Dinhofer A44C 17/02
63/28
D151,755 S * 11/1948 Glunz et al. D11/125
D231,793 S * 6/1974 Golay D11/90
D232,654 S * 9/1974 Golay D11/90
D235,911 S * 7/1975 Golay D11/90
D235,912 S * 7/1975 Golay D11/90
D239,556 S * 4/1976 Braff D11/90
D240,758 S * 7/1976 Saltzman D11/90
D242,276 S * 11/1976 Saltzman D11/90
D242,376 S * 11/1976 Saltzman D11/90

(Continued)

(21) Appl. No.: **29/796,885**
(22) Filed: **Jun. 28, 2021**
(51) **LOC (13) Cl.** **11-01**
(52) **U.S. Cl.**
USPC **D11/40; D11/70; D11/90**
(58) **Field of Classification Search**
USPC D11/40-49, 1, 3, 4, 716, 79-86, 89, 90,
D11/91, 92, 118, 124, 125
CPC A44C 7/00; A44C 7/002; A44C 7/003;
A44C 7/004; A44C 7/005; A44C 7/006;
A44C 7/007; A44C 7/008; A44C 7/009;
A44C 25/00; A44C 25/001; A44C
25/002; A44C 25/007; A44C 1/00; A44C
5/00; A44C 5/0084; A44C 15/005; A44C
17/02; A44C 17/0208; A44C 17/0216;
A44C 17/0225; A44C 17/0233; A44C
17/0241; A44C 17/025; A44C 17/0258;
A44C 17/0266; A44C 17/0275; A44C
17/0283; A44C 17/0291
See application file for complete search history.

FOREIGN PATENT DOCUMENTS

CA 2502522 A1 9/2005
WO WO2007110683 A2 10/2007
WO WO2016193989 A1 12/2016

OTHER PUBLICATIONS

[Online] "11mm Invisible Set Diamond Star Stud Earring" <https://www.mariatash.com/11mm-invisible-set-diamond-star-stud-earring.html>. Retrieved Dec. 3, 2021.*

Primary Examiner — Melanie Pellegrini
(74) *Attorney, Agent, or Firm* — Dentons US LLP

(57) **CLAIM**

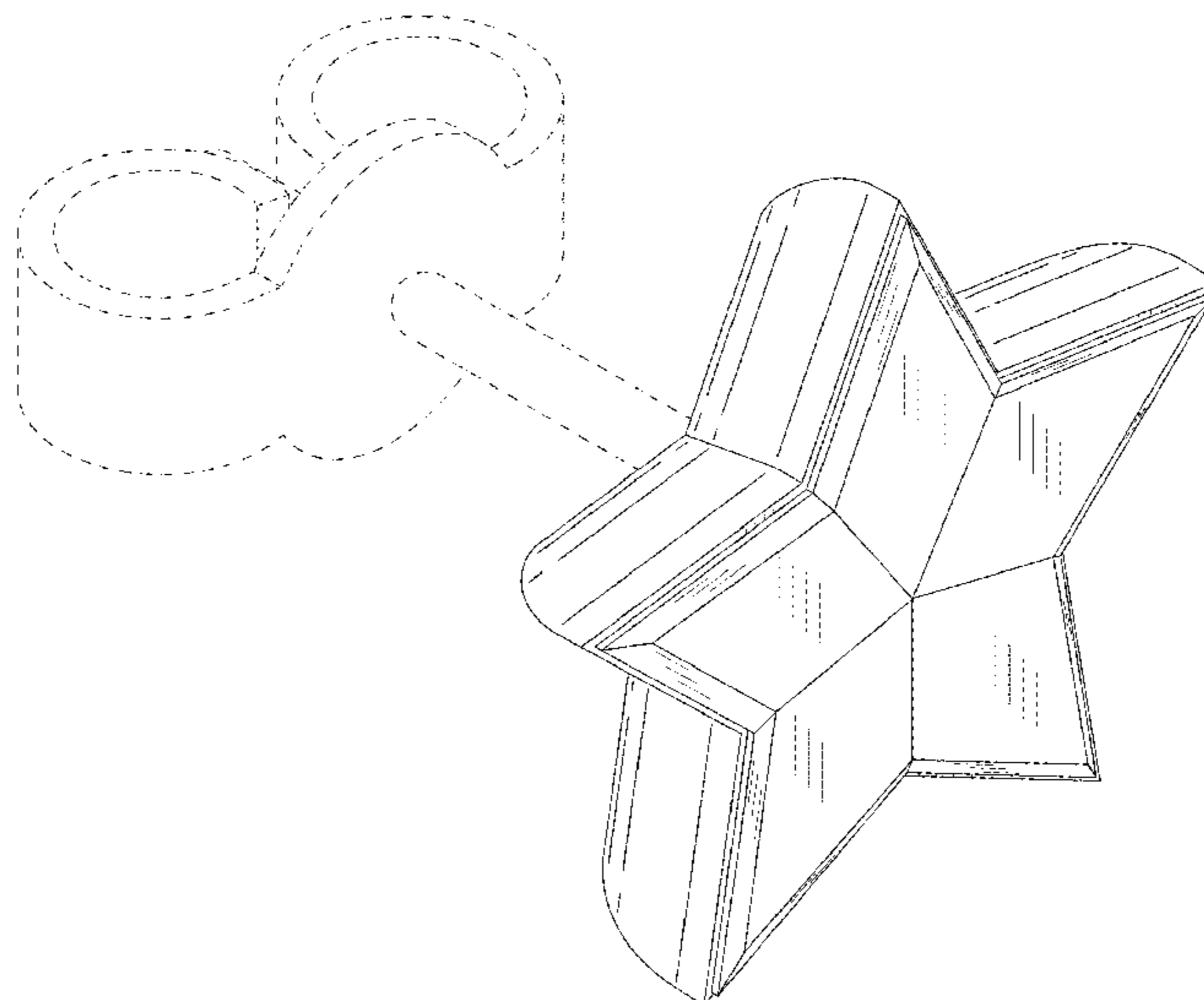
An ornamental design of a jewelry item, as shown and described.

DESCRIPTION

FIG. 1 is a front perspective view of a jewelry item;
FIG. 2 is a front side view thereof;
FIG. 3 is a back side view thereof;
FIG. 4 is a right side view thereof;
FIG. 5 is a left side view thereof;
FIG. 6 is a top side view thereof; and,
FIG. 7 is a bottom side view thereof.
Broken lines shown in drawings illustrate portions that form no part of what is claimed.

1 Claim, 4 Drawing Sheets

(56) **References Cited**
U.S. PATENT DOCUMENTS
420,508 A * 2/1890 Blessing A44C 25/001
63/23
763,846 A * 6/1904 Boismaure A44C 17/0275
63/31
1,319,251 A * 10/1919 Schless A44C 17/02
63/26



(56)

References Cited

U.S. PATENT DOCUMENTS

D242,643	S	*	12/1976	Saltzman	D11/90
D244,367	S	*	5/1977	Saltzman	D11/90
D329,826	S	*	9/1992	Taylor	D11/124
D352,673	S	*	11/1994	Harris	D11/90
D375,914	S	*	11/1996	Harris	D11/90
5,622,063	A	*	4/1997	Slowinski	A44C 17/02 63/28
D393,230	S	*	4/1998	Katz	D11/90
D413,544	S	*	9/1999	Steinberg	D11/91
D462,636	S	*	9/2002	Elishyov	D11/90
D463,314	S	*	9/2002	Elishyov	D11/90
D494,084	S	*	8/2004	Sanghavi	D11/90
D505,356	S	*	5/2005	Ho	D11/90
D558,637	S	*	1/2008	Riesenberg	D11/91
D562,721	S	*	2/2008	Shah	D11/91
D562,722	S	*	2/2008	Shah	D11/91
D697,983	S	*	1/2014	Nelson	D21/453
D794,499	S	*	8/2017	Hardy	D11/92
D813,082	S	*	3/2018	Riviere	D11/81
2002/0178751	A1		12/2002	Malek		
2005/0241337	A1		11/2005	Fouzailoff		
2011/0302959	A1		12/2011	Wcislo et al.		
2016/0309860	A1		10/2016	Ghassabian		

* cited by examiner

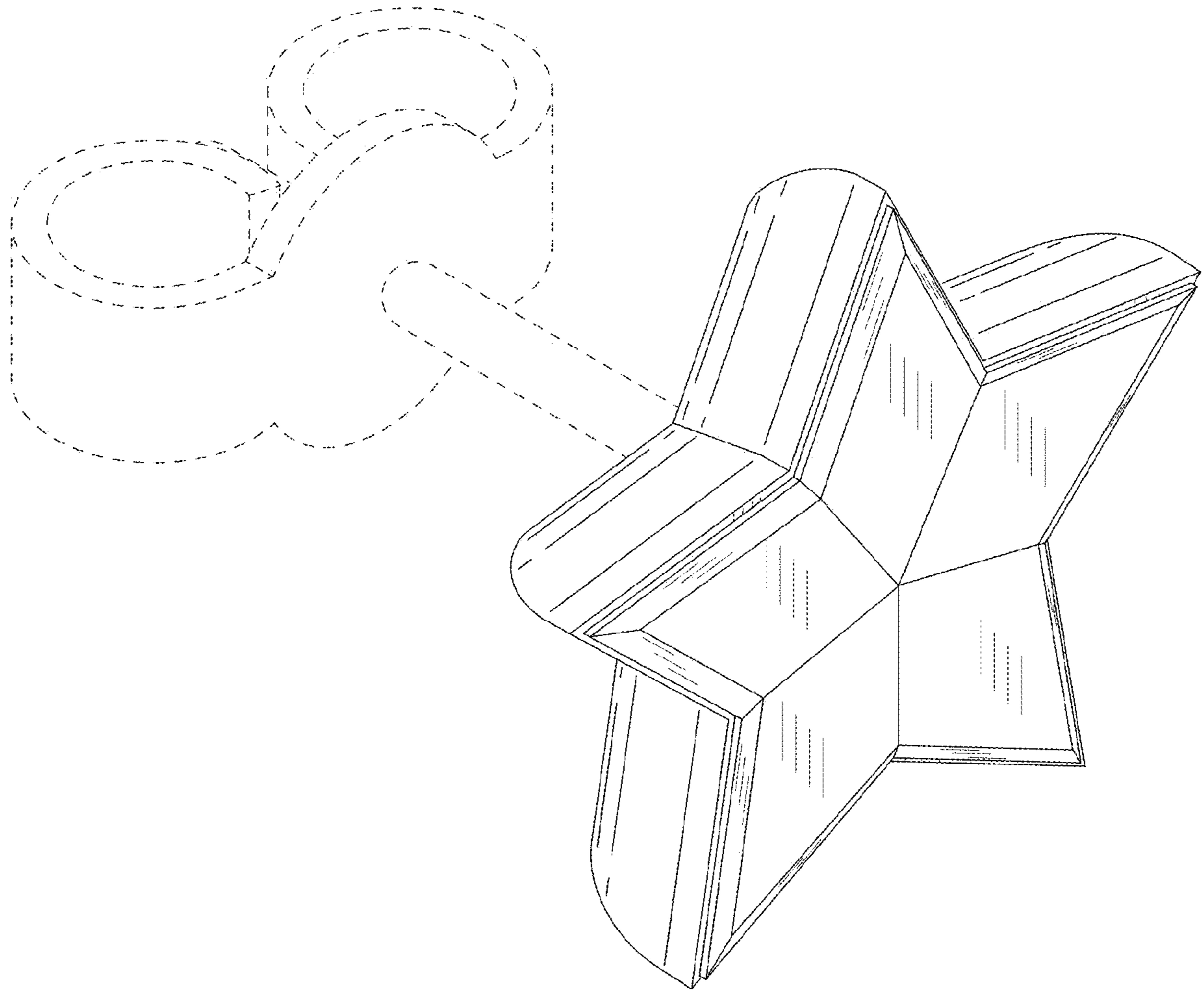


FIG. 1

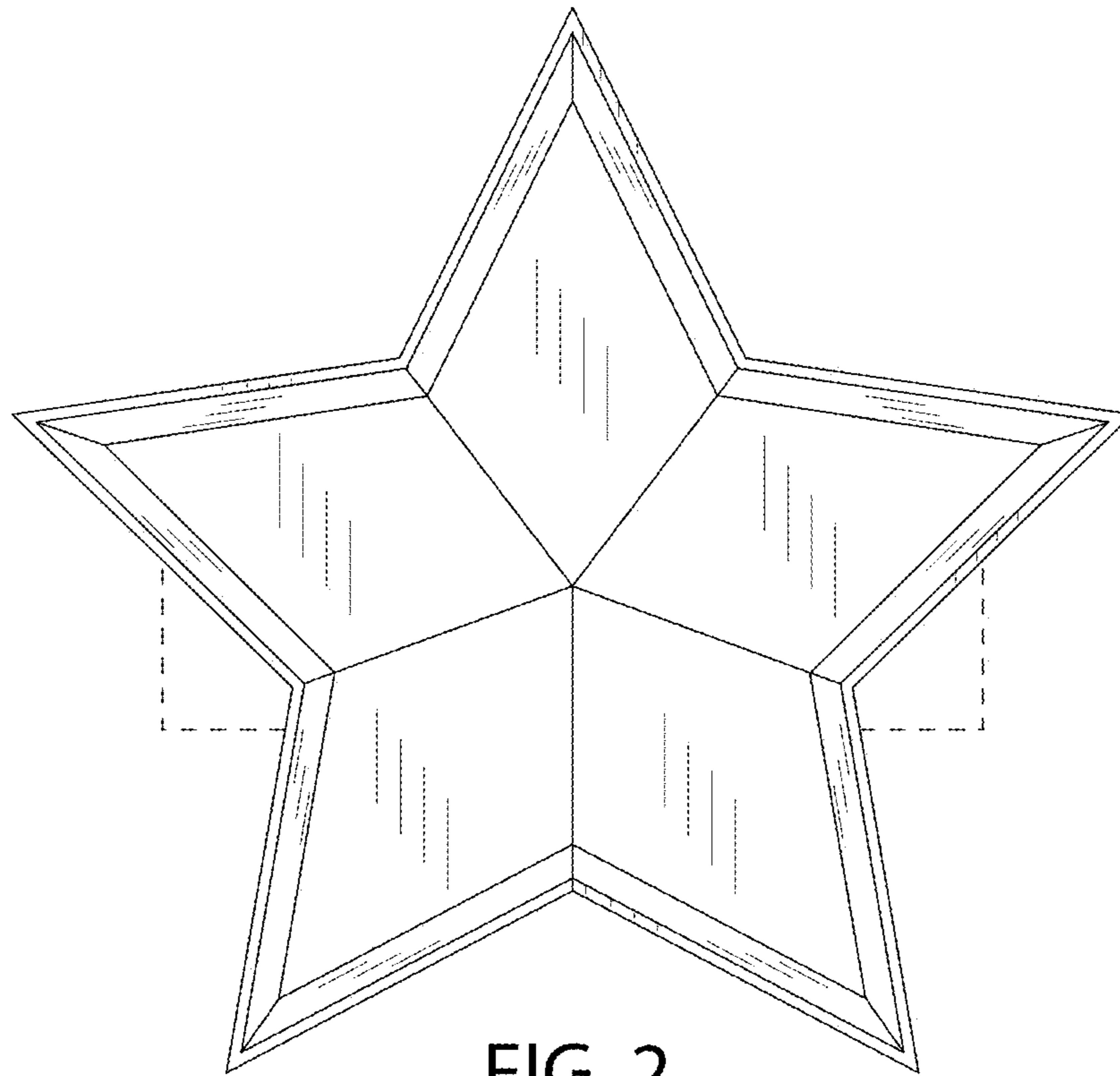


FIG. 2

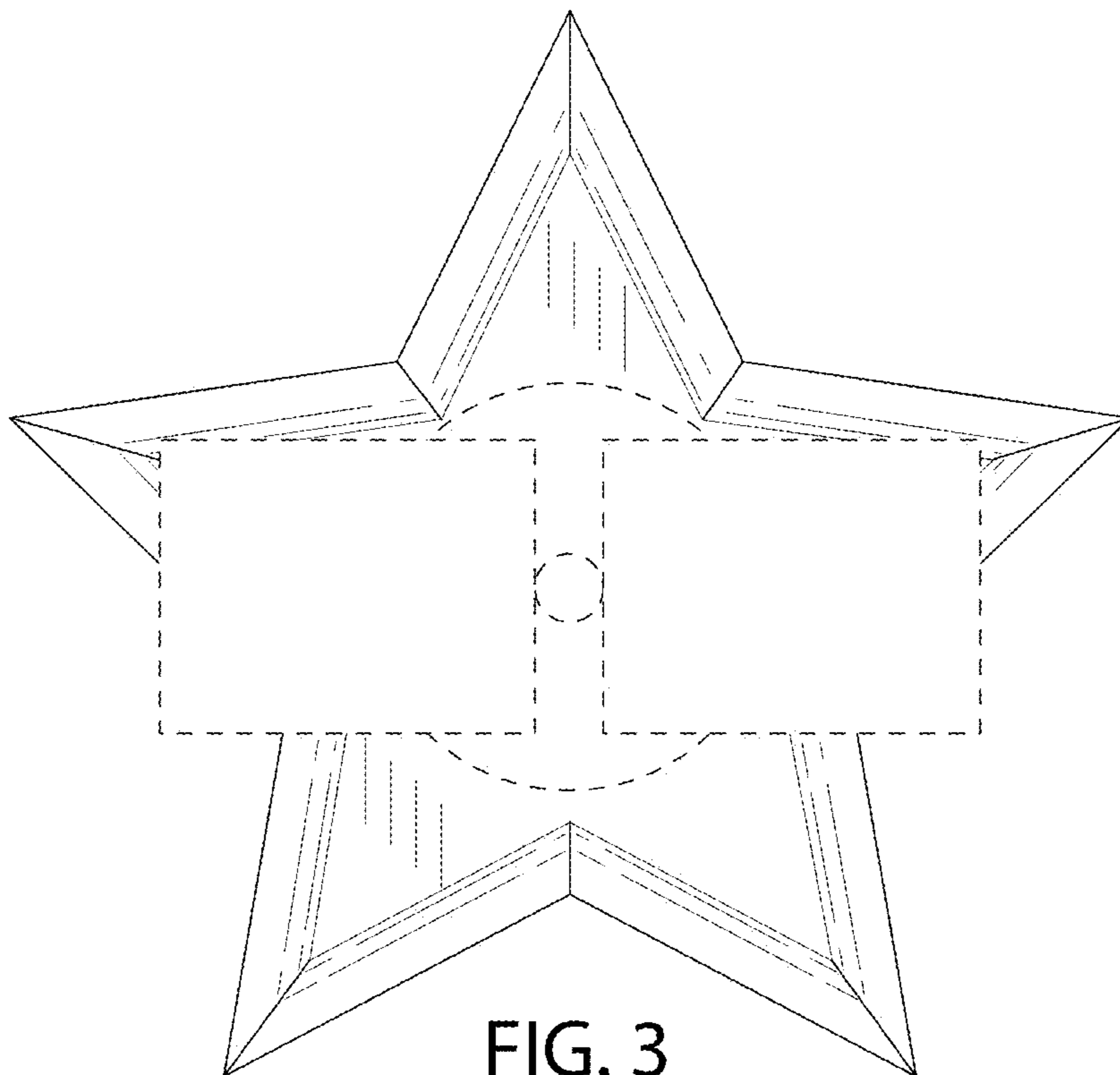


FIG. 3

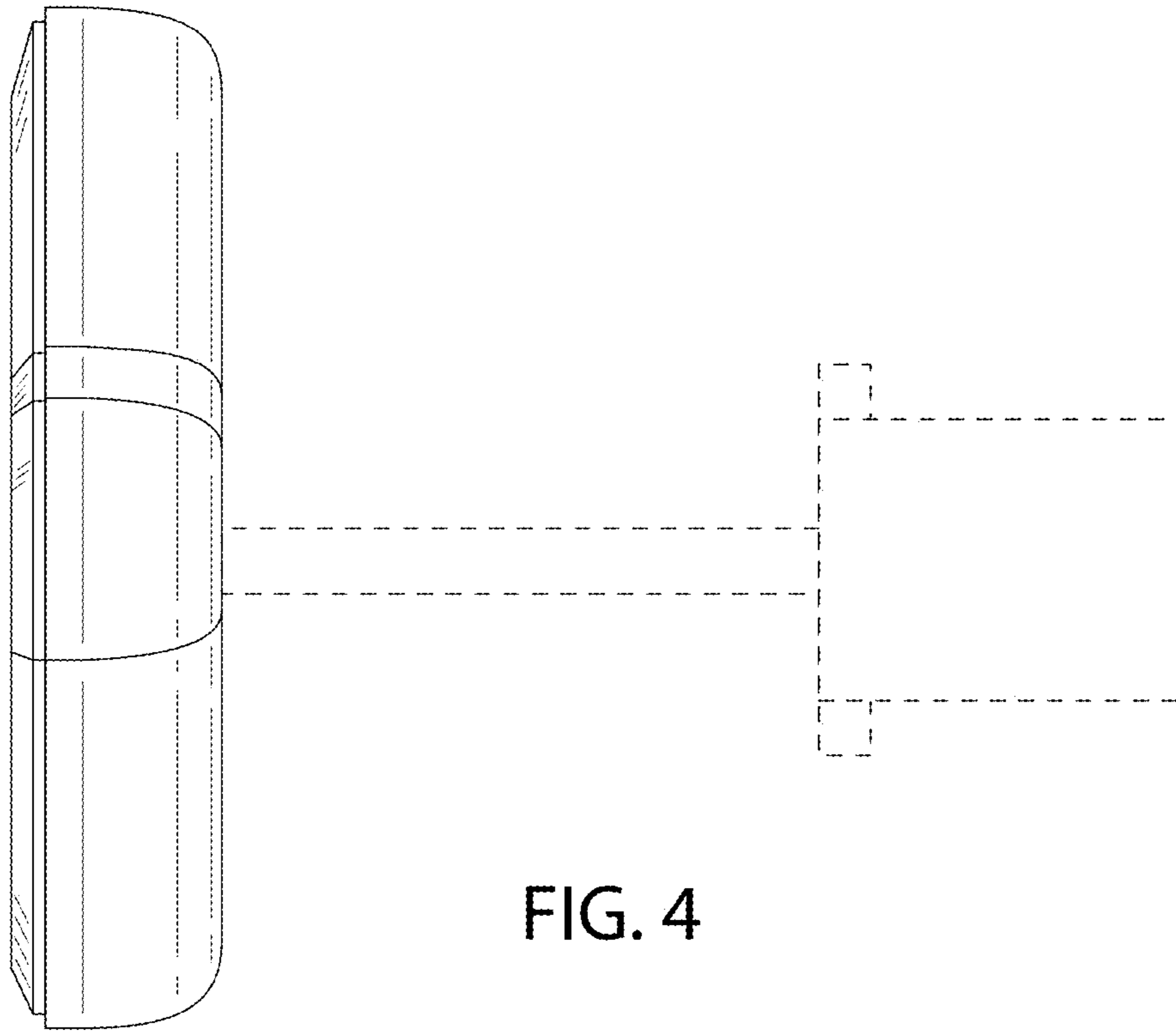


FIG. 4

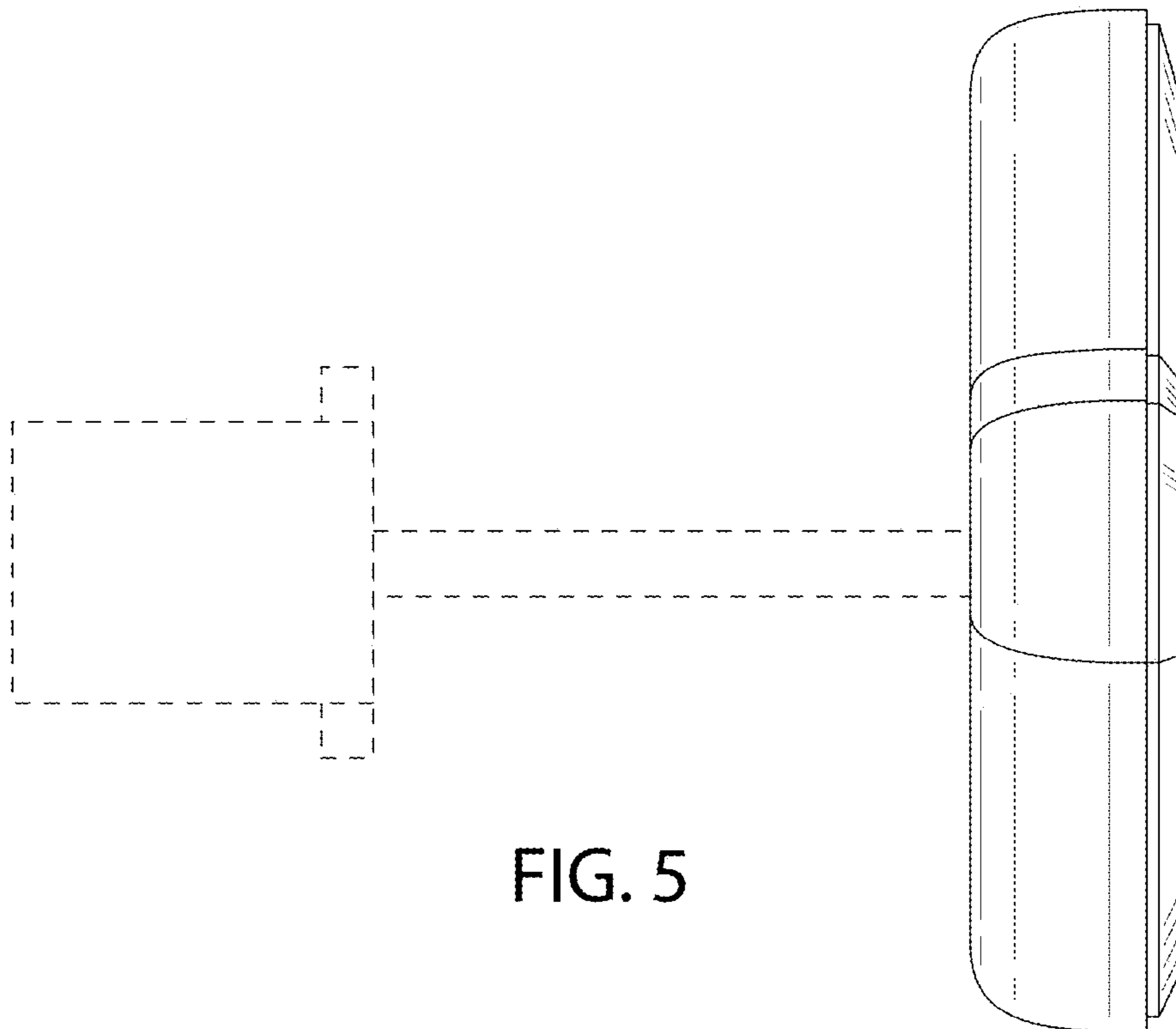


FIG. 5

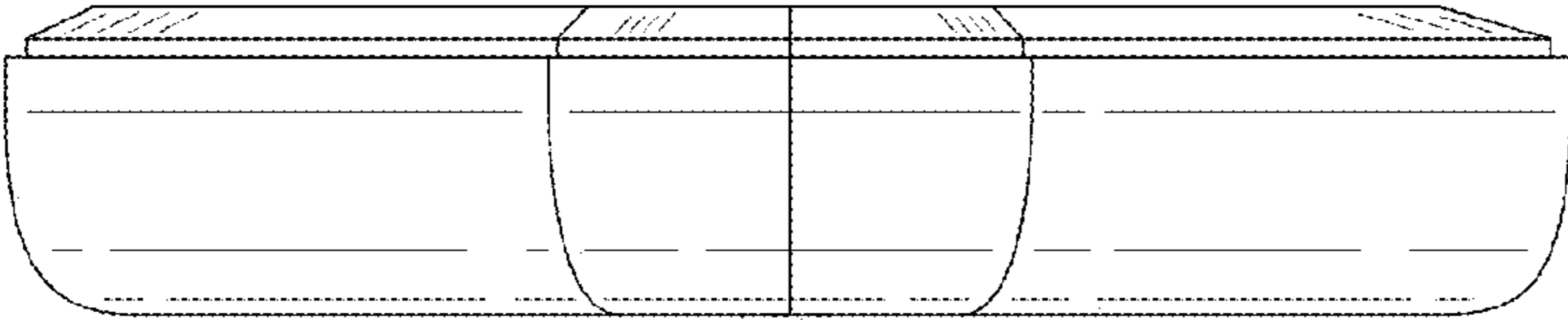


FIG. 6

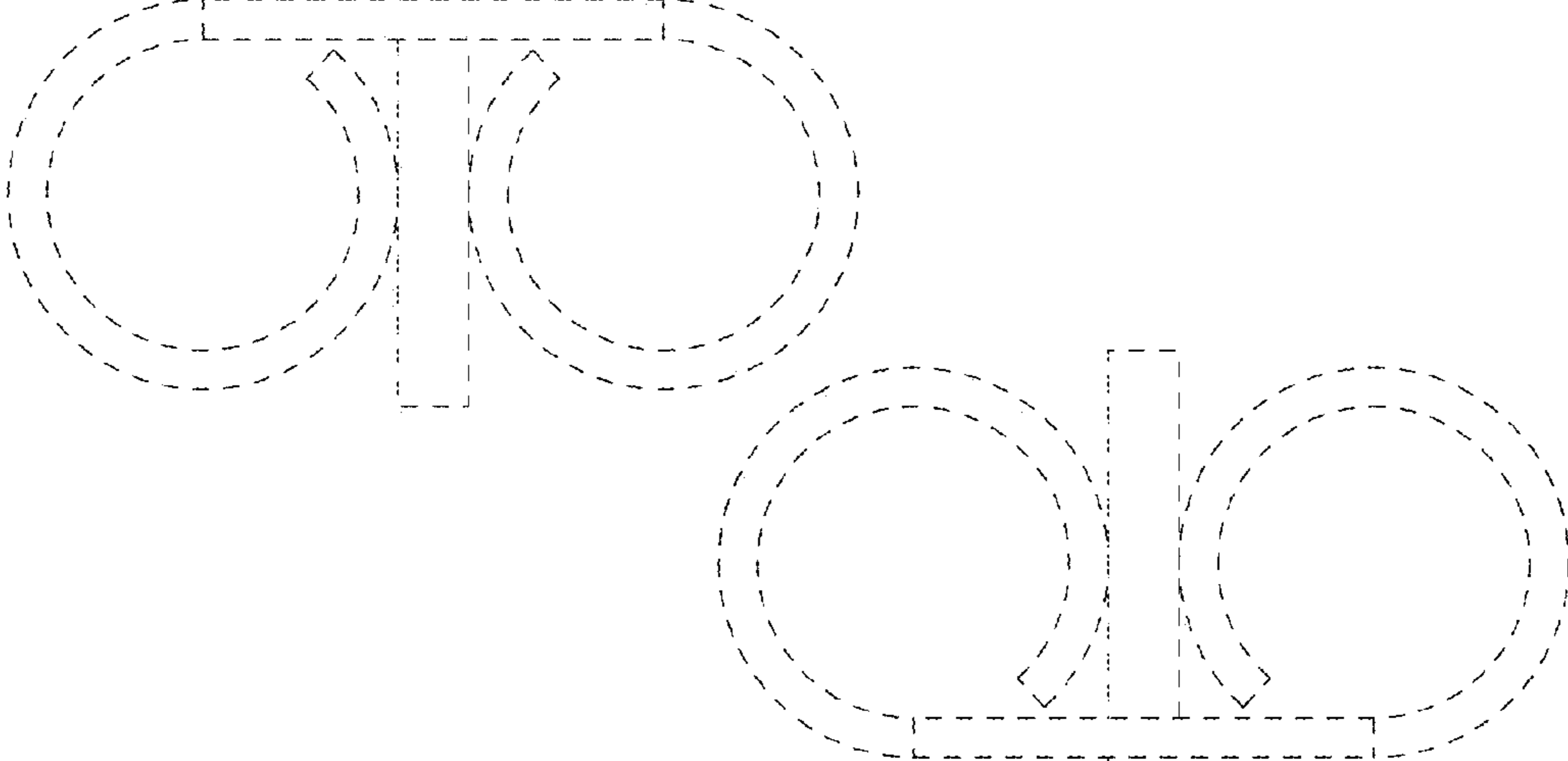


FIG. 7

