



US00D948365S

(12) **United States Design Patent** (10) **Patent No.:** **US D948,365 S**
Thomson (45) **Date of Patent:** **** Apr. 12, 2022**

(54) **FIRST RESPONSE LOCATOR SYSTEM** 5,926,098 A * 7/1999 Wiemeyer G08B 17/113
340/630

(71) Applicant: **Brian Thomson**, Macon, GA (US) D426,482 S * 6/2000 Sakurai D10/106.5
D605,966 S * 12/2009 Weil D10/109.2

(72) Inventor: **Brian Thomson**, Macon, GA (US) D628,108 S * 11/2010 Akdag D10/106.5
D685,278 S * 7/2013 Bellier D10/106.2
D757,585 S * 5/2016 Hojmose D10/106.5
D781,169 S * 3/2017 Wang D10/106.5
D922,231 S * 6/2021 Densham D10/106.9

(73) Assignee: **First Response Locator Systems of America, LLC**, Macon, GA (US) 2008/0272922 A1 * 11/2008 Spellman G08B 17/10
340/628

(**) Term: **15 Years** 2015/0097679 A1 * 4/2015 Andrews G08B 17/113
340/628

(21) Appl. No.: **29/714,392** 2015/0111404 A1 * 4/2015 Seiler G08B 17/10
439/170

(22) Filed: **Nov. 22, 2019** 2016/0217682 A1 * 7/2016 Brigham G08B 17/10
2017/0124829 A1 * 5/2017 Tennies G08B 17/06
2019/0005793 A1 * 1/2019 Stibich G08B 17/107
2020/0098236 A1 * 3/2020 Bauldree G08B 3/1016

(51) **LOC (13) Cl.** **10-05**

(52) **U.S. Cl.**
USPC **D10/104.1; D10/106.1; D10/106.5**

(58) **Field of Classification Search**
USPC D10/52, 53, 56, 57, 60, 104.1,
D10/106.1–106.95, 109.1, 109.2, 116.1,
D10/118, 118.2, 120, 121
CPC G08B 17/00; G08B 17/10; G08B 17/11;
G08B 17/113; G08B 17/12; G08B 21/02;
G08B 21/0277; G08B 21/10; G08B
21/12; G08B 25/00; G08B 25/14
See application file for complete search history.

* cited by examiner

Primary Examiner — Katherine Glennon
(74) *Attorney, Agent, or Firm* — Jason T. Daniel, Esq.;
Daniel Law Offices, P.A.

(57) **CLAIM**

The ornamental design for a first response locator system, as shown and described.

DESCRIPTION

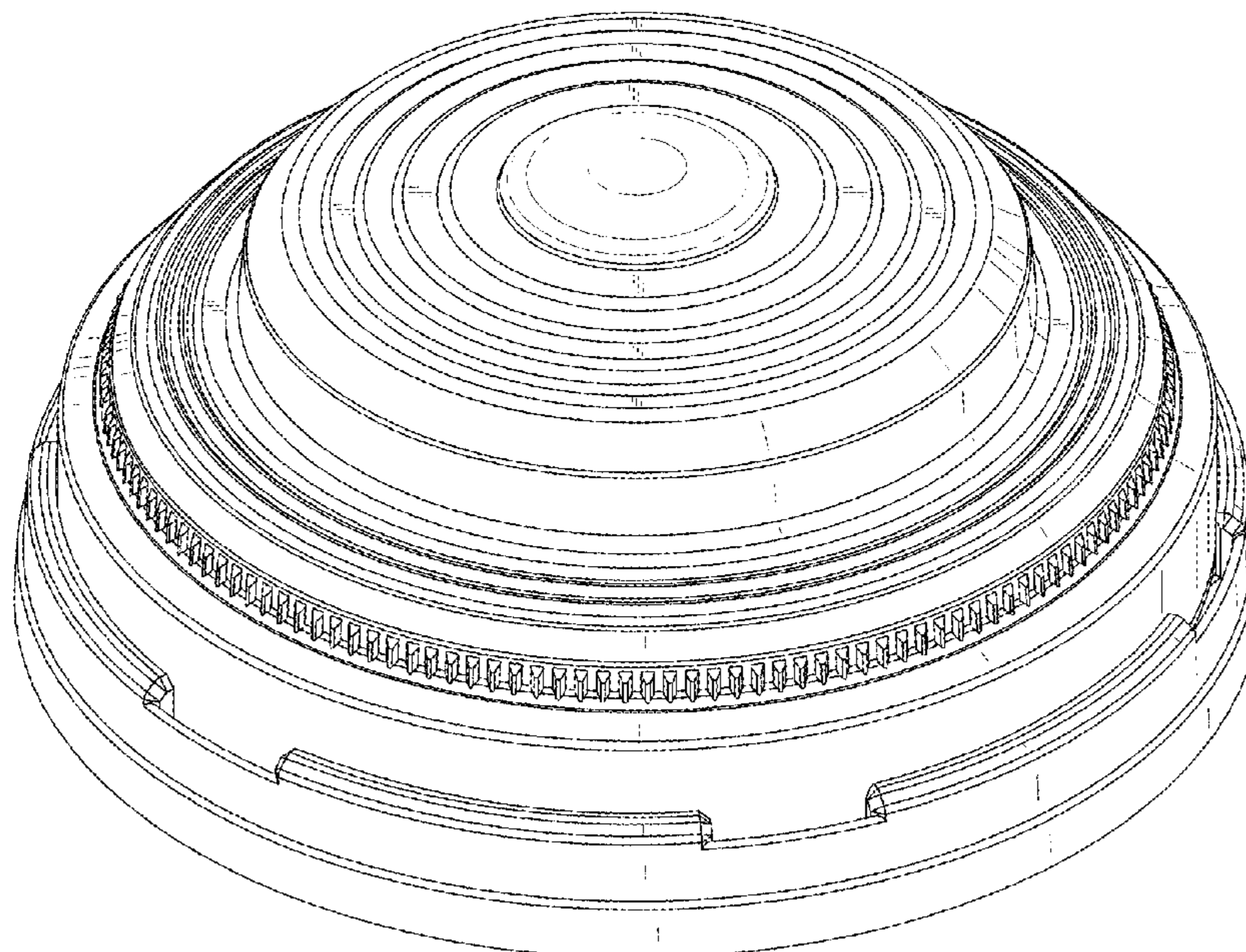
FIG. 1 is a perspective view of a first response locator system, showing my new design,
FIG. 2 is a top side view thereof,
FIG. 3 is a bottom side view thereof; and,
FIG. 4 is a front side view thereof.
The back side, left side and right side are mirror images of the front side view.
The broken lines show portions of the first response locator system that form no part of the claimed design.

1 Claim, 4 Drawing Sheets

(56) **References Cited**

U.S. PATENT DOCUMENTS

D225,380 S * 12/1972 Sanger D10/121
D248,838 S * 8/1978 Pasquarette D10/60
D258,943 S * 4/1981 Ng D10/106.5
D262,952 S * 2/1982 Hanig D10/106.5
D275,187 S * 8/1984 Skarman D10/106.5
D308,835 S * 6/1990 Fenne D10/106.1
D311,703 S * 10/1990 Fenne D10/106.5
D328,875 S * 8/1992 Perkins D10/121
D388,351 S * 12/1997 Repp D10/106.5
D388,352 S * 12/1997 Repp D10/106.5



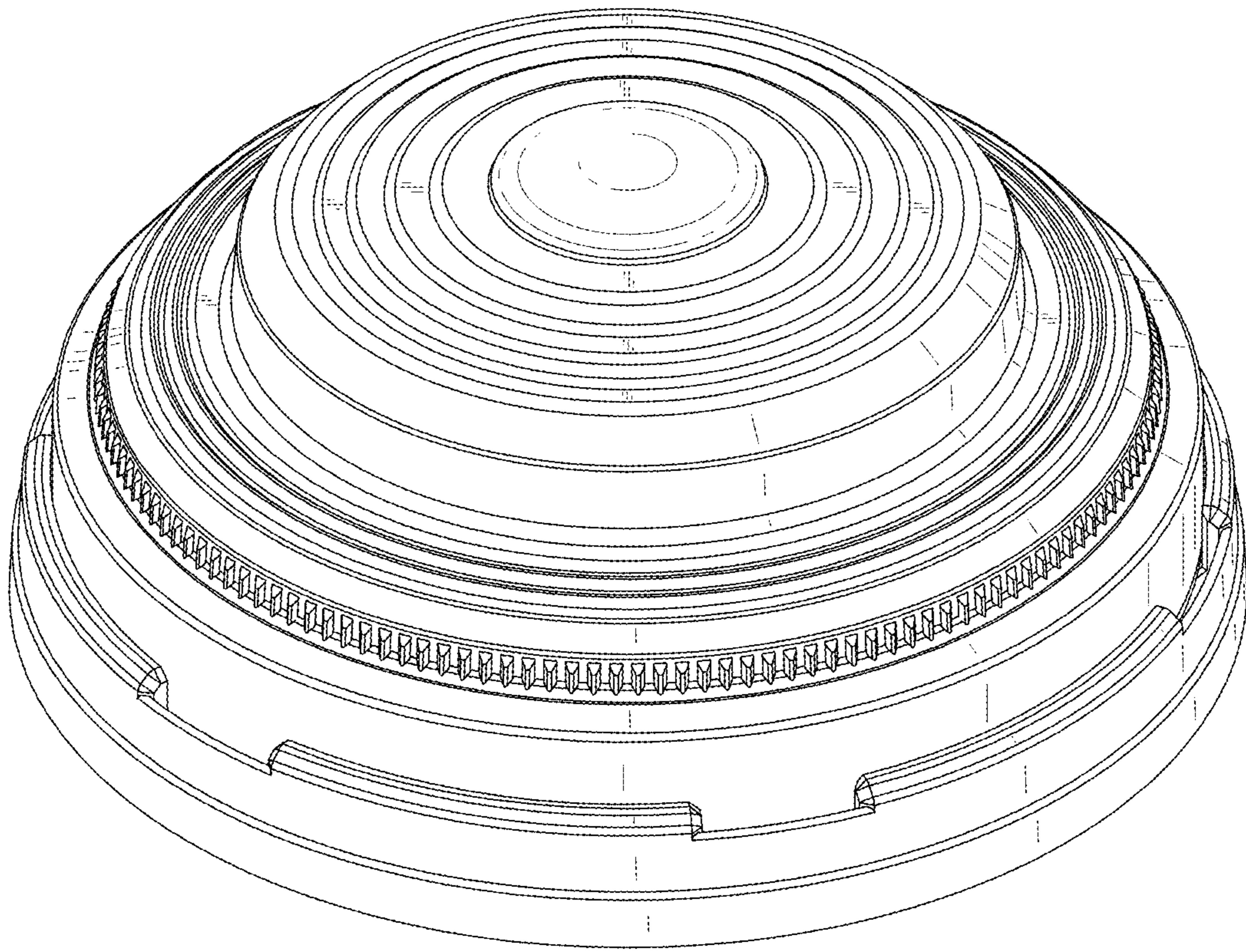


FIG. 1

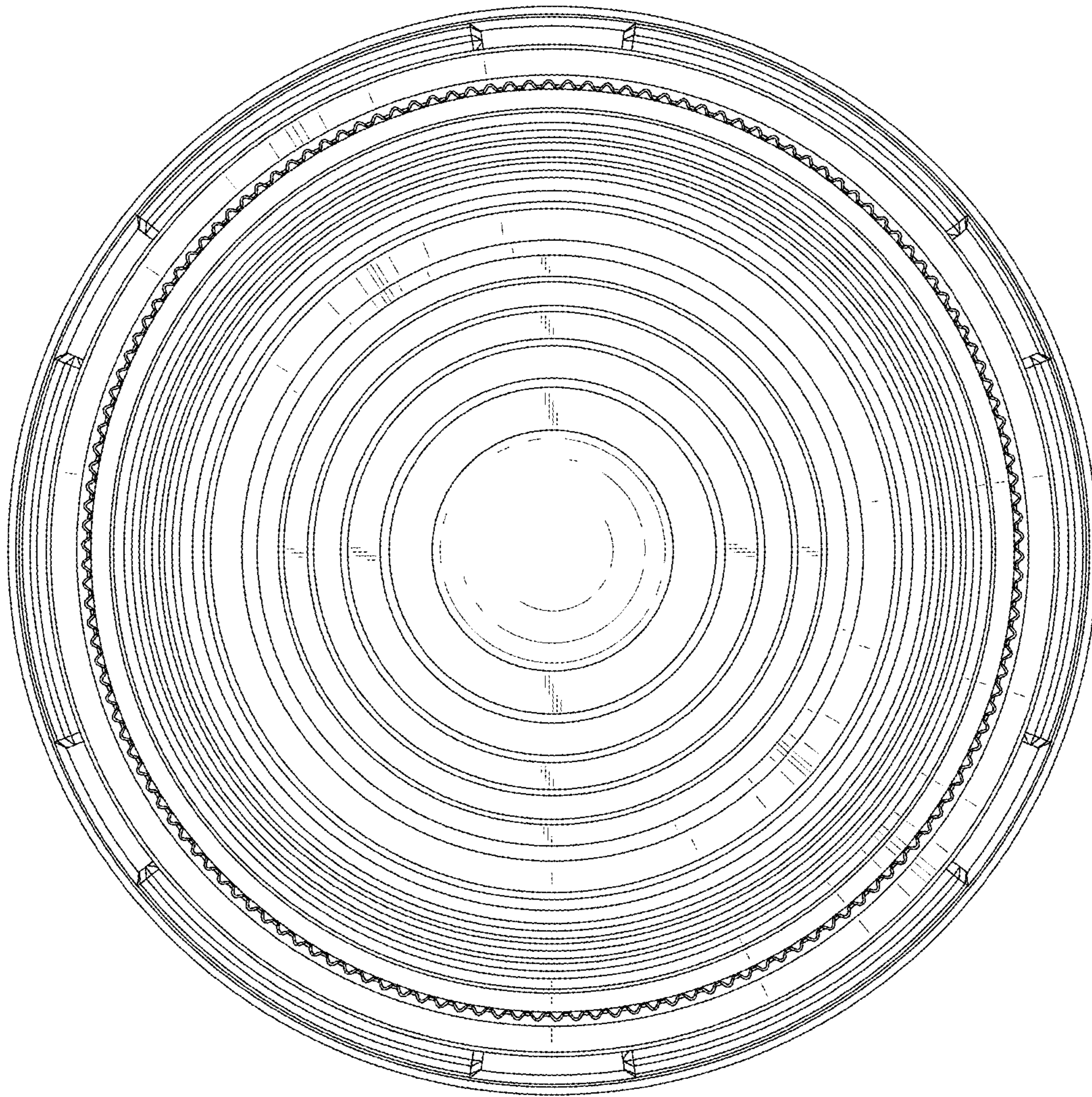


FIG. 2

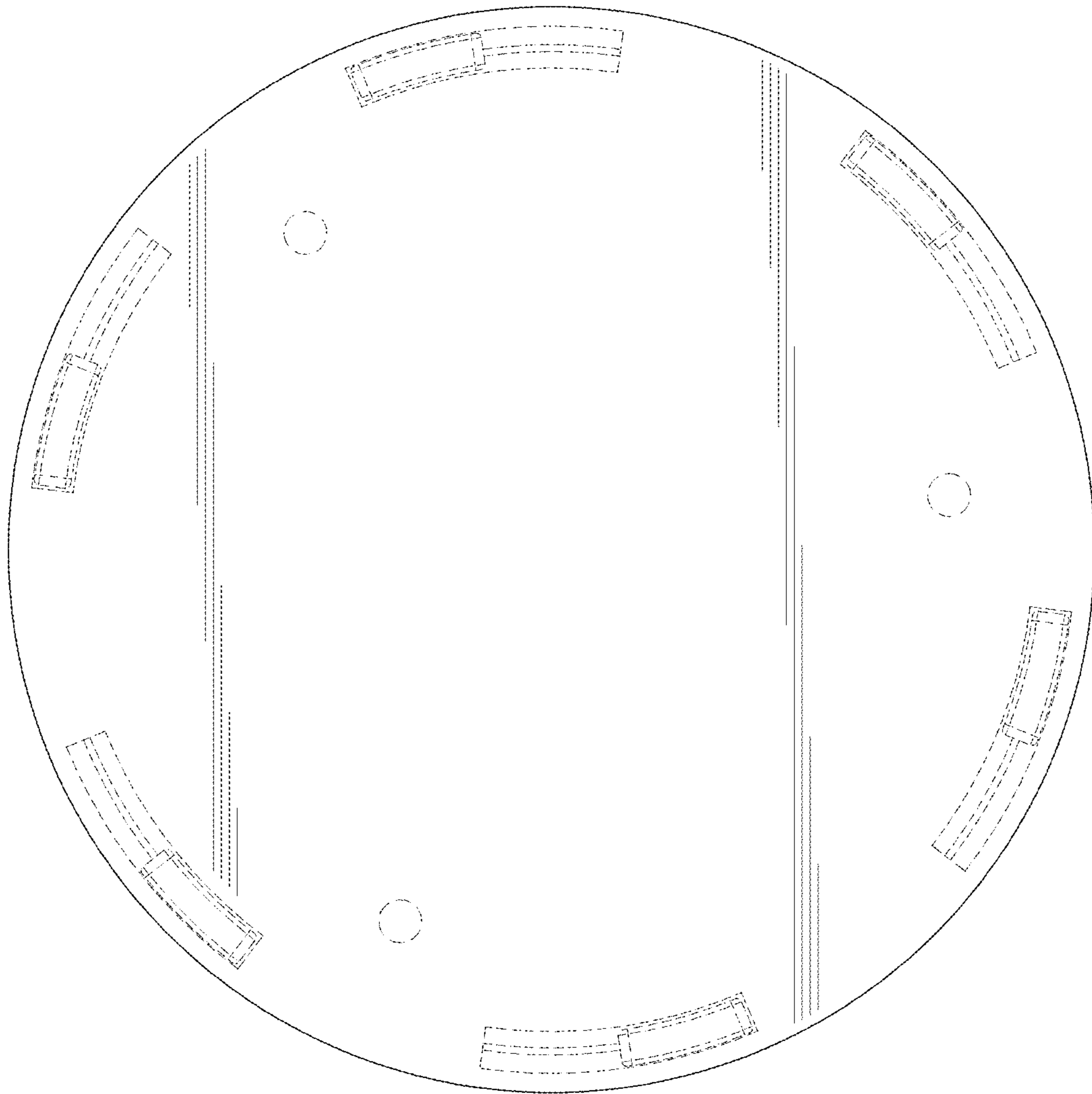


FIG. 3

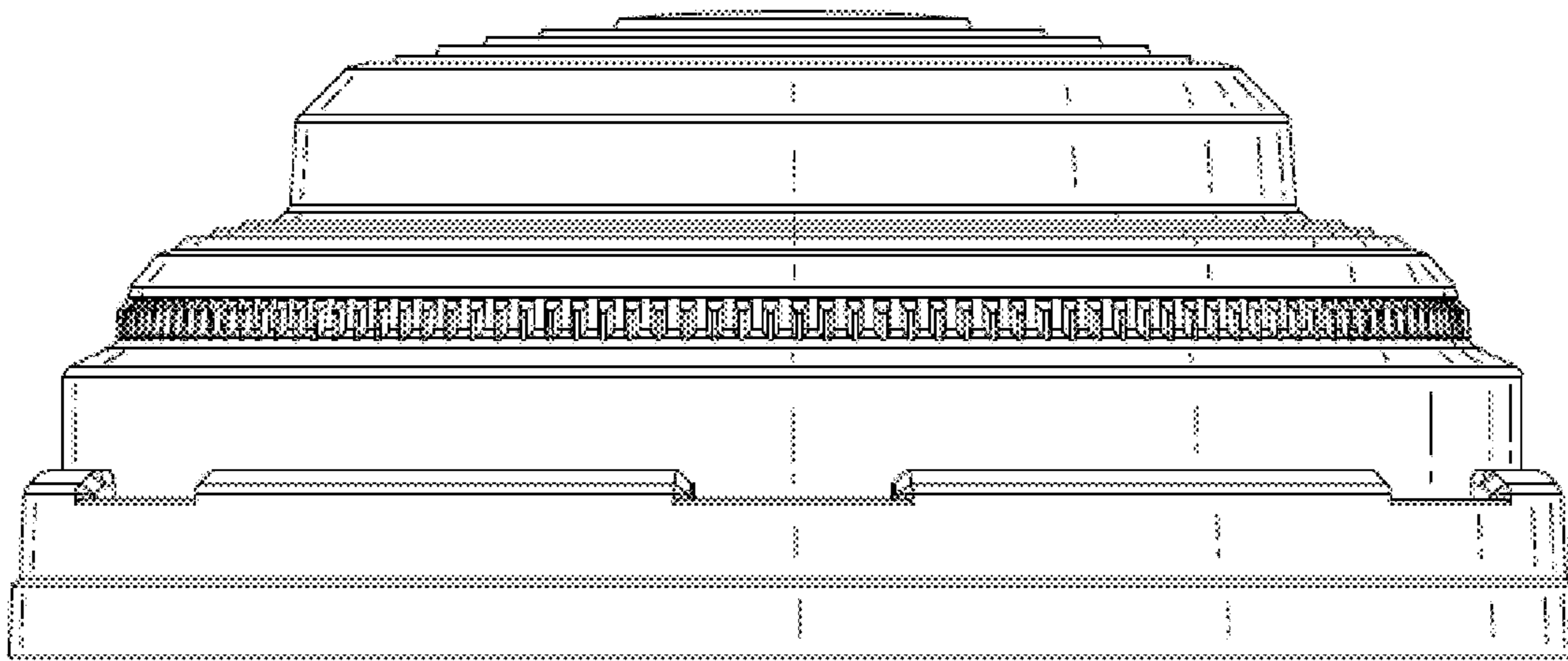


FIG. 4