



US00D948363S

(12) **United States Design Patent**
Xu et al.

(10) **Patent No.:** **US D948,363 S**
(45) **Date of Patent:** **** Apr. 12, 2022**

(54) **KITCHEN SCALE**

(71) Applicant: **Shenzhen Shine Industrial Co., Ltd.**,
Guangdong (CN)

(72) Inventors: **Xinqiang Xu**, Guangdong (CN); **Bo Li**,
Guangdong (CN); **Weiling Li**,
Guangdong (CN)

(73) Assignee: **Shenzhen Shine Industrial Co., Ltd.**,
Shenzhen (CN)

(**) Term: **15 Years**

(21) Appl. No.: **29/801,001**

(22) Filed: **Jul. 26, 2021**

(51) **LOC (13) Cl.** **10-04**

(52) **U.S. Cl.**
USPC **D10/91**

(58) **Field of Classification Search**
USPC D10/83-93

CPC G01G 21/28; G01G 21/00; G01G 19/414;
G01G 19/4144; G01G 19/42; G01G
23/166; G01G 21/30; G01G 23/3728;
G01G 23/3735; G01G 19/44; G01G 3/14;
G01G 19/46; G01G 19/48; G01G 19/50;
G01G 21/44; A61B 5/053; A61B 5/4872;
A61B 5/0537; A61B 5/4869; A61B
5/6825; A61B 5/6829; A61B 5/7445;
A61B 5/1072; G06Q 20/3678; G06Q
20/387; G06Q 20/065; G06Q 20/36;
G06Q 20/06; G06Q 20/208; G09B 19/00;
G16H 20/00; G16H 40/63; F16F 1/123
See application file for complete search history.

(56) **References Cited**

U.S. PATENT DOCUMENTS

D547,682 S * 7/2007 Barnes D10/92
D600,581 S * 9/2009 Brown D10/91
D700,093 S * 2/2014 Gomez D10/92
D737,706 S * 9/2015 Peluso D10/92
D808,958 S * 1/2018 Ha D14/341

D817,797 S * 5/2018 Huckestein D10/91
D843,866 S * 3/2019 Mutch D10/87
D853,259 S * 7/2019 Huckestein D10/91

(Continued)

FOREIGN PATENT DOCUMENTS

CN 303264426 * 10/2014
CN 306809121 * 5/2021
CN 306809122 * 5/2021
CN 306940024 * 7/2021
EM 002211417-0001 * 3/2013

(Continued)

OTHER PUBLICATIONS

Bifrost, Digital Food Scale, Date first available Apr. 25, 2021,
[online]retrieved Jan. 12, 2022,available from https://www.amazon.com/Digital-Food-Scale-Supports-Stainless/dp/B093GKW7YX/ref=bx_dp_c87octdo_19/134-0219067-4581861?pd_rd_w=X4sj3&pf_rd_p=e6cdd6e6-4670-4642-bb47-67097bcd49dd&pf_rd_r=3QDHFAXA (Year: 2021).*

(Continued)

Primary Examiner — Keli L Hill
Assistant Examiner — Sara S Sahneh

(57) **CLAIM**

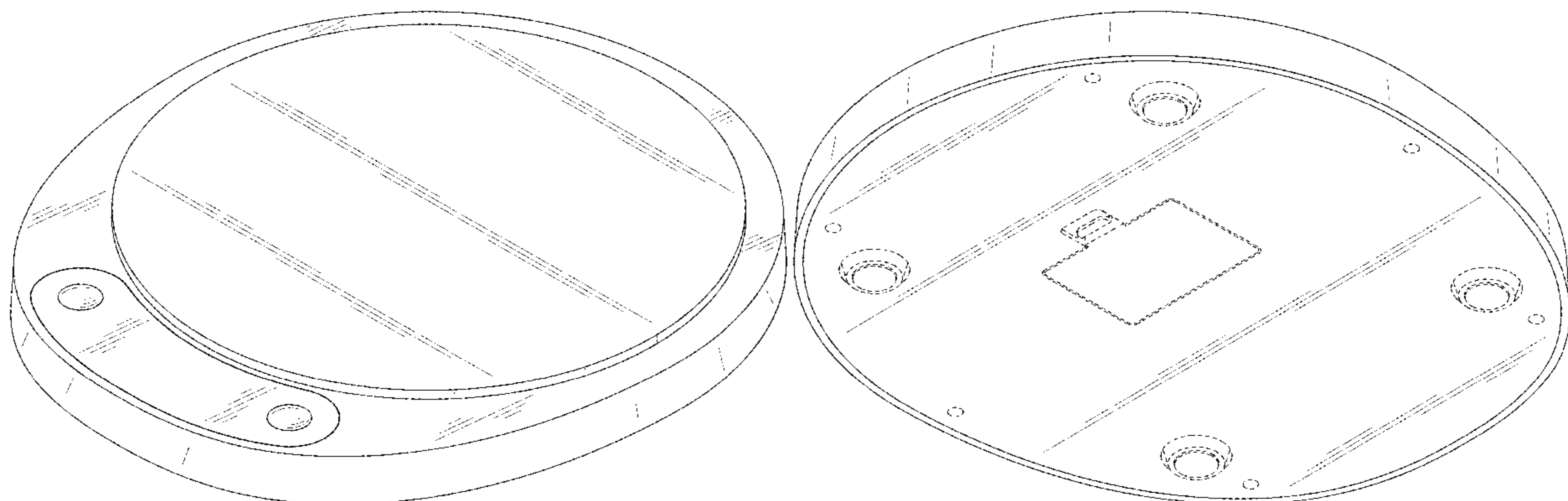
The ornamental design for a kitchen scale, as shown and described.

DESCRIPTION

FIG. 1 is a bottom, front, and right side perspective view of a kitchen scale showing our new design;
FIG. 2 is a top, rear and left side perspective view thereof;
FIG. 3 is a front elevational view thereof;
FIG. 4 is a rear elevational view thereof;
FIG. 5 is a left side view thereof;
FIG. 6 is a right side view thereof;
FIG. 7 is a top plan view thereof; and,
FIG. 8 is a bottom plan view thereof.

The broken lines in the drawings illustrate portions of the kitchen scale which form no part of the claimed design.

1 Claim, 8 Drawing Sheets



(56)

References Cited

U.S. PATENT DOCUMENTS

D865,552 S * 11/2019 Ying D10/92
D869,970 S * 12/2019 Bodum D10/91
D871,945 S * 1/2020 Li D10/92
D918,077 S * 5/2021 Zhang D10/91
2019/0186986 A1* 6/2019 Hogeia G01G 19/56

FOREIGN PATENT DOCUMENTS

EM 006852679-0001 * 9/2021
KR 301136231.0000 * 9/2021

OTHER PUBLICATIONS

Arboleaf Store, Food Scale, Date first available Nov. 4, 2021,
[online]retrieved Jan. 12, 2022,available from www.amazon.com/

dp/B096MC3JHS/ref=sspa_dk_detail_9?psc=1p13NParams&spLa=Z
W5jcnlwdGVkUXVhbGlmaWVyPUE3NUUxMUc4NFNEUk8mZ
W5jcnlwdGVkSWQ9QTazNjYxMzMzMyOUZBV1kzUVM5TzewJ
mVuY3J5cHRIZEFkSWQ9QTawNzMzMDEzT (Year: 2021).*

Suidreams Store,Food Scale, Date first available Aug. 7, 2021,
[online]retrieved Jan. 12, 2022,available from https://www.amazon.com/dp/B09C2XT9DD/ref=sspa_dk_detail_4?psc=1&pd_rd_w=nUQym&pf_rd_p=54ed5474-54a8-4c7f-a88a-45f748d18166&pd_rd_wg=yfRaF&pf_rd_r=31FBVW0V7KV4Y6W0H55N&pd_rd_r=f0f66565-3076-420f-(Year: 2021).*

4 Best Kitchen Scales, Tested by Food Network Kitchen,Food
Network Kitchen, Date first available Sep. 28, 2021, [online]
retrieved Jan. 12, 2022,available from <https://www.foodnetwork.com/how-to/packages/shopping/product-reviews/best-kitchen-scale>
(Year: 2021).*

* cited by examiner

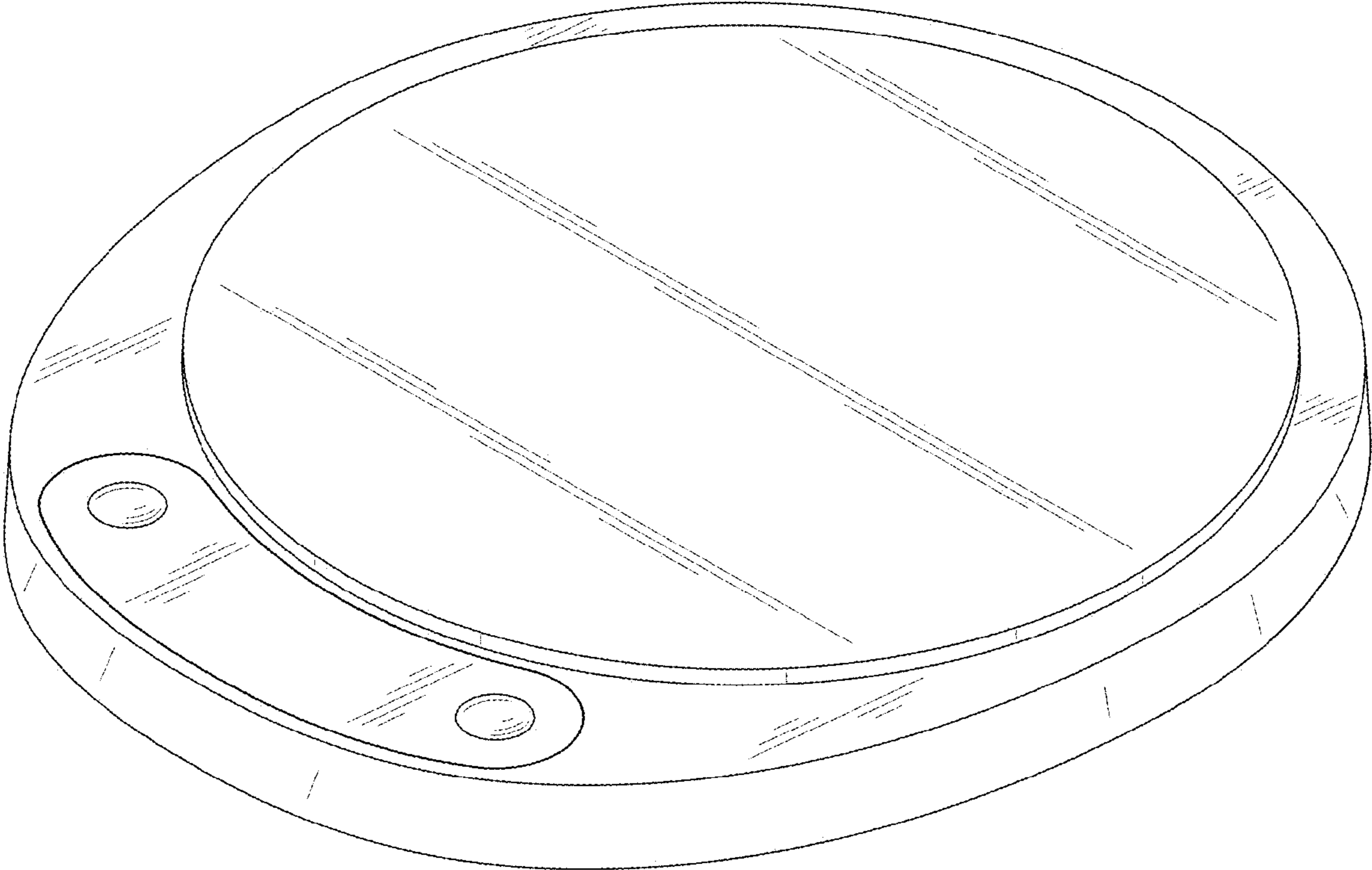


FIG. 1

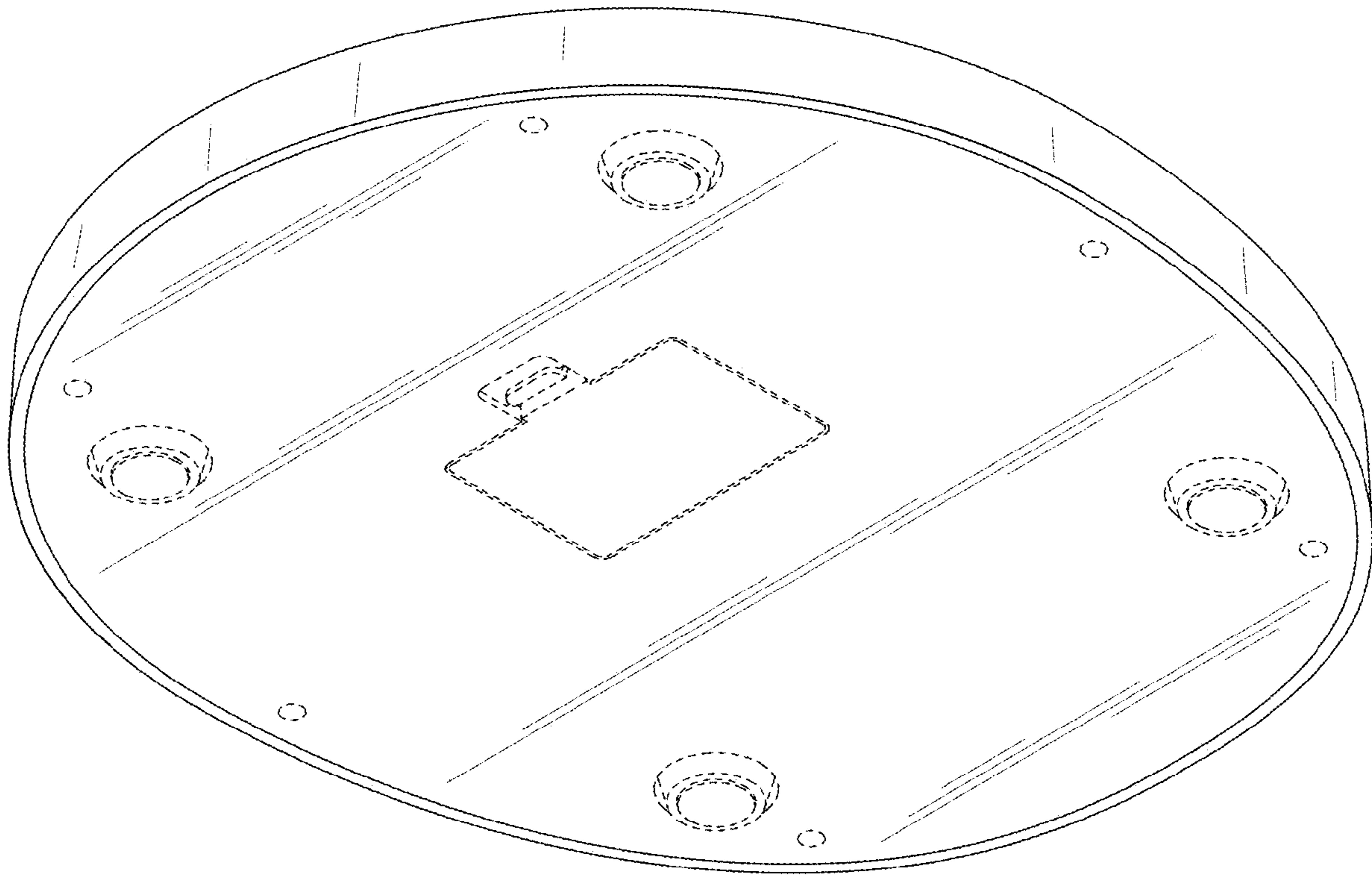


FIG. 2

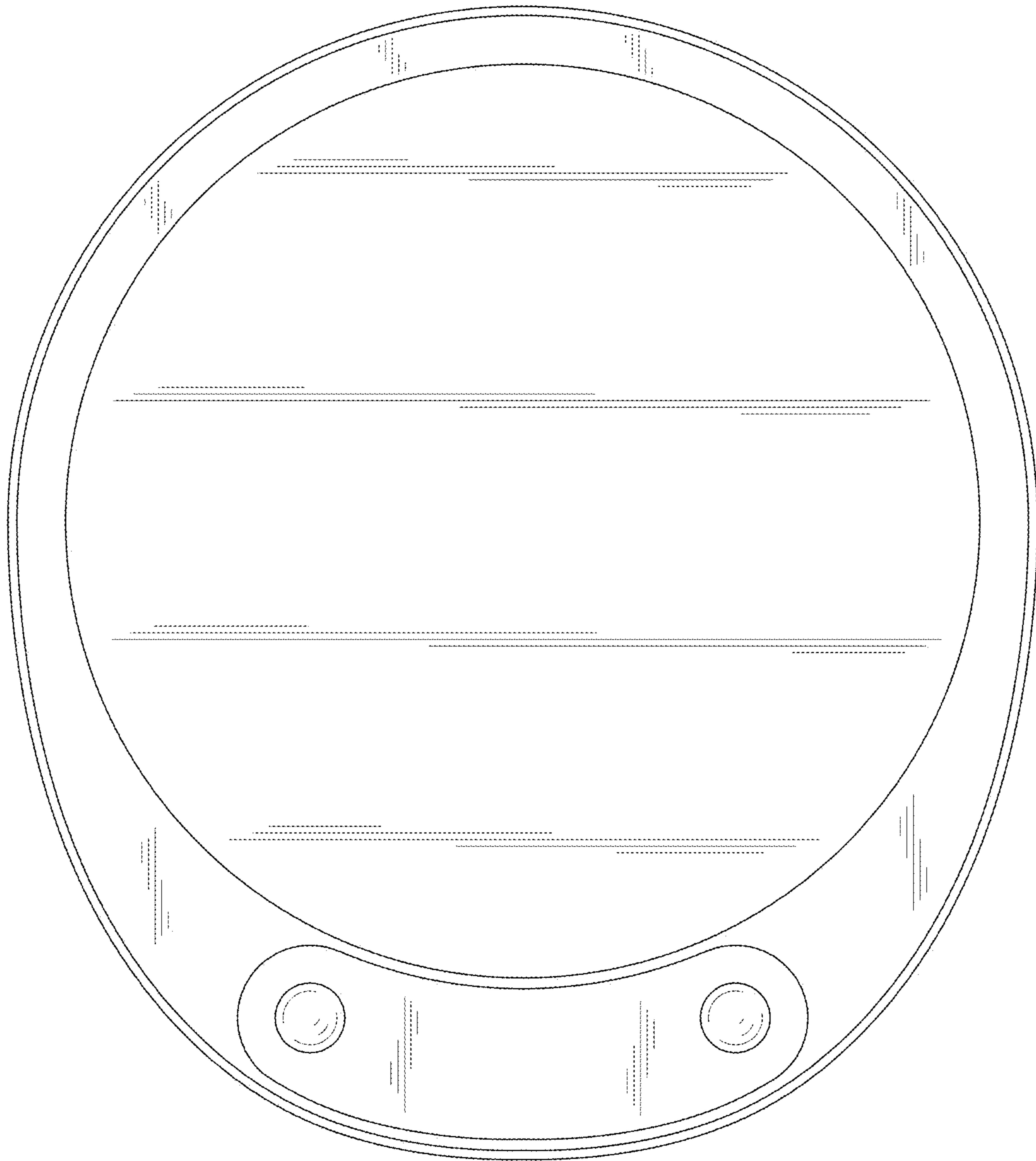


FIG. 3

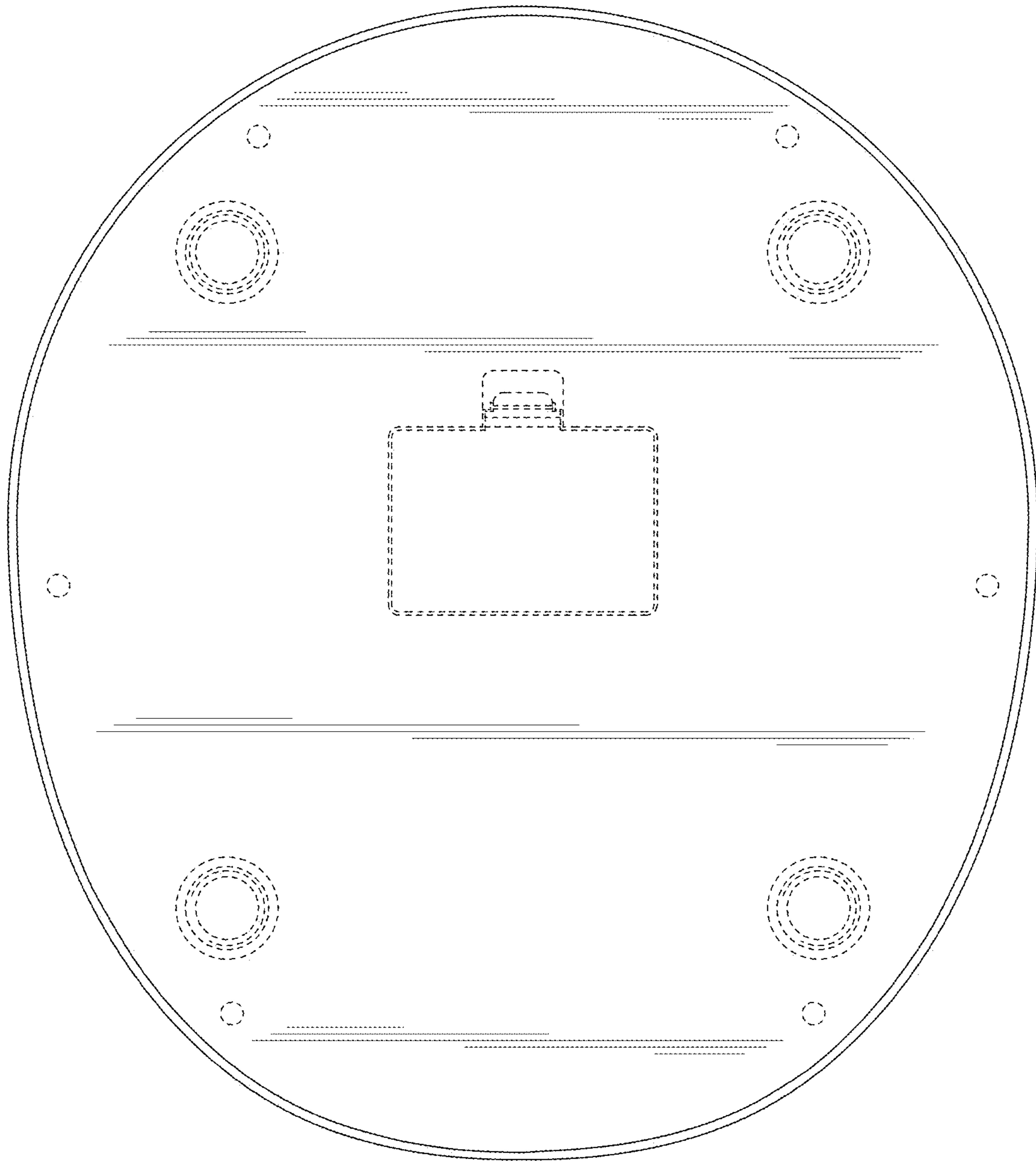


FIG. 4

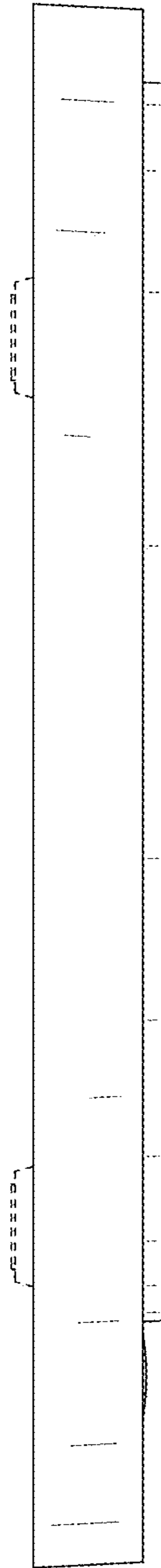


FIG. 5

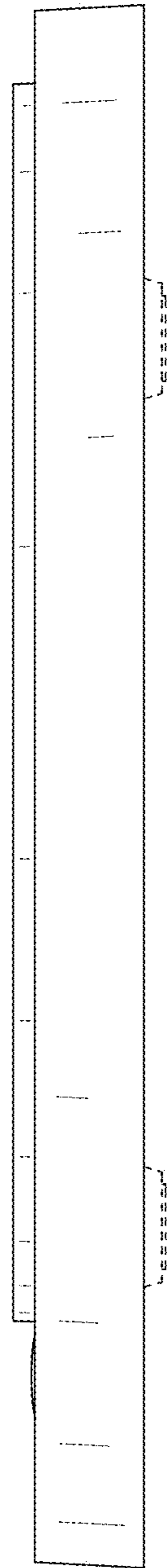


FIG. 6

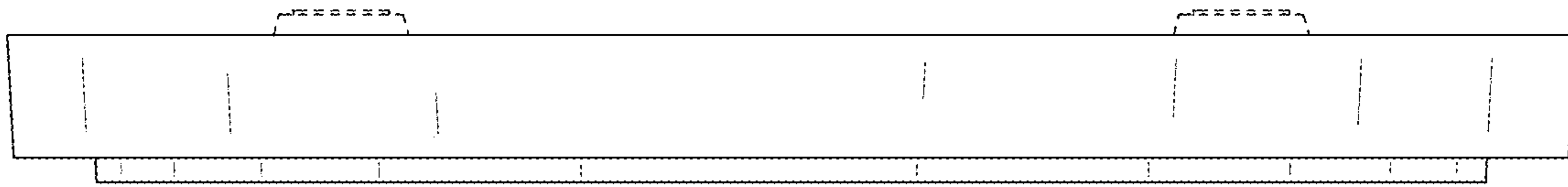


FIG. 7

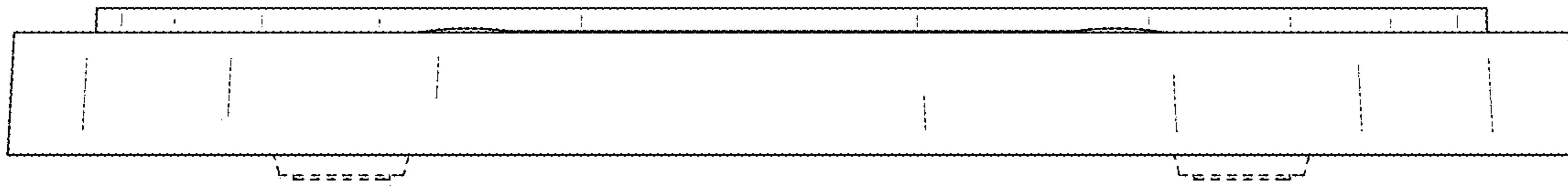


FIG. 8