

US00D948362S

(12) **United States Design Patent**  
**Wang**

(10) **Patent No.:** **US D948,362 S**  
(45) **Date of Patent:** **\*\* Apr. 12, 2022**

(54) **SCALE**

(71) Applicant: **Shenzhen Dongmei Measuring Instrument Co., Ltd., Shenzhen (CN)**

(72) Inventor: **Zhiyong Wang, Shenzhen (CN)**

(\*\*) Term: **15 Years**

(21) Appl. No.: **29/757,181**

(22) Filed: **Nov. 4, 2020**

(51) **LOC (13) Cl.** ..... **10-04**

(52) **U.S. Cl.**

USPC ..... **D10/91**

(58) **Field of Classification Search**

USPC ..... D10/83-93

CPC ..... G01G 21/28; G01G 21/00; G01G 19/414; G01G 19/4144; G01G 19/42; G01G 23/166; G01G 21/30; G01G 23/3728; G01G 23/3735; G01G 19/44; G01G 3/14; G01G 19/46; G01G 19/48; G01G 19/50; G01G 21/44; G01G 19/445; A61B 5/053; A61B 5/4872; A61B 5/0537; A61B 5/4869; A61B 5/6825; A61B 5/682; A61B 5/7445; A61B 5/1072; A61B 2560/0214; G06Q 20/3678; G06Q 20/387; G06Q 20/065; G06Q 20/36; G06Q 20/06; G06Q 20/208; G09B 19/00; G16H 20/00; G16H 40/63; F16F 1/123

See application file for complete search history.

(56) **References Cited**

**U.S. PATENT DOCUMENTS**

D270,903 S \* 10/1983 Vogel ..... D10/91  
D314,716 S \* 2/1991 Busse ..... D10/91  
D463,302 S \* 9/2002 Ariyama ..... D10/91  
D464,896 S \* 10/2002 Ho ..... D10/91  
D522,393 S \* 6/2006 Schumann ..... D10/91  
D524,670 S \* 7/2006 Carls ..... D10/91  
D525,159 S \* 7/2006 Chen ..... D10/91  
D543,880 S \* 6/2007 Matsumoto ..... D10/91

D543,882 S \* 6/2007 Kousuge ..... D10/91  
D674,297 S \* 1/2013 Hillel ..... D10/94  
D800,589 S \* 10/2017 Li ..... D10/91  
D869,316 S \* 12/2019 Rhein ..... D10/91

(Continued)

**FOREIGN PATENT DOCUMENTS**

CN 301252871 \* 10/2009  
CN 304321219 \* 5/2017  
CN 305355342 \* 11/2018

(Continued)

**OTHER PUBLICATIONS**

Jenn Sinrich, These Tech-Forward Baby Scales Will Help Track Your Little One's Growth, Date first available Feb. 26, 2021, [online]retrieved Dec. 20, 2021,available from [https://www.scarymommy.com/spotted/baby-scales/\(Year: 2021\).\\*](https://www.scarymommy.com/spotted/baby-scales/(Year: 2021).*)

(Continued)

*Primary Examiner* — Keli L Hill

*Assistant Examiner* — Sara S Sahneh

(57) **CLAIM**

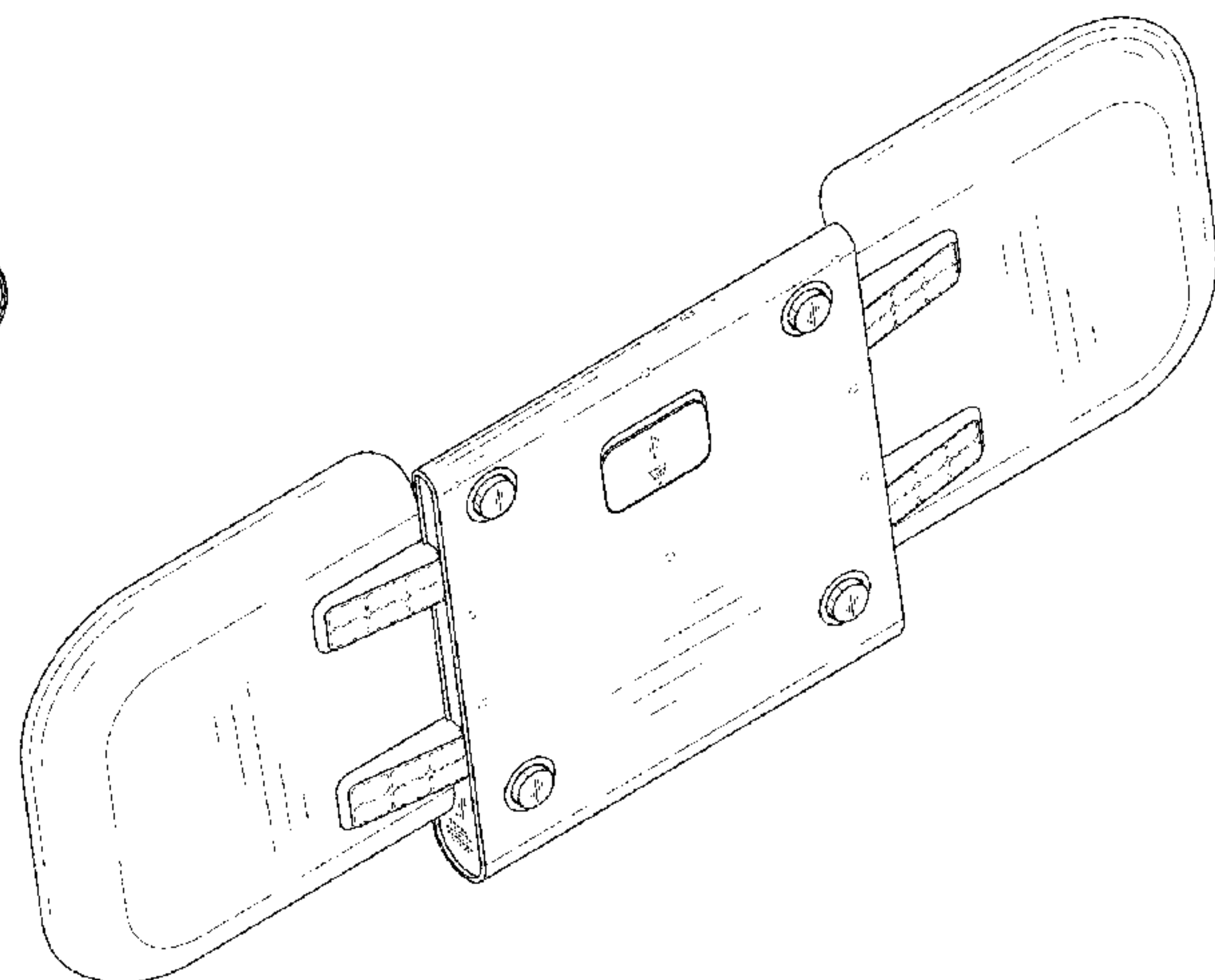
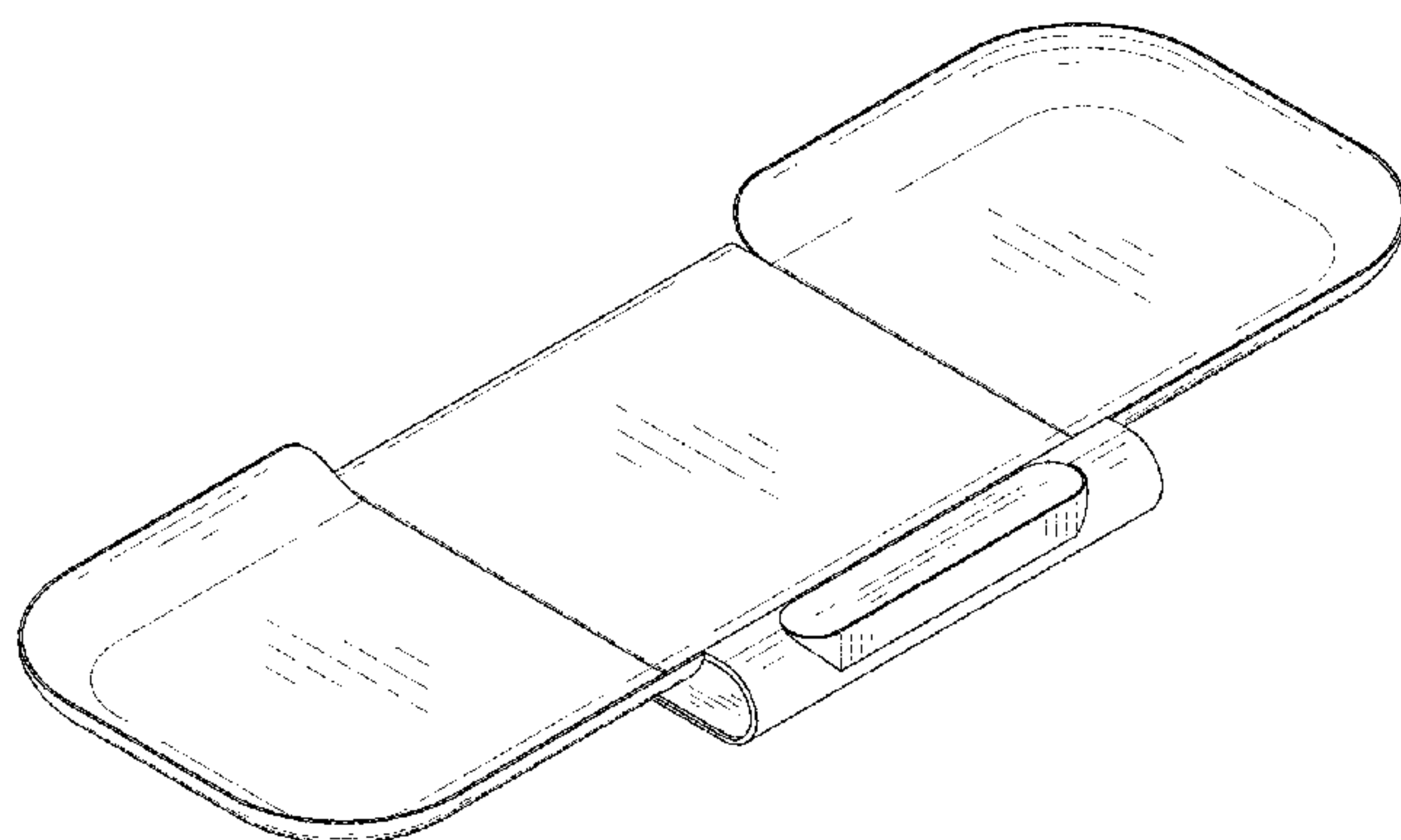
The ornamental design for a scale, as shown and described.

**DESCRIPTION**

FIG. 1 is a first perspective view of a scale showing my new design;  
FIG. 2 is a second perspective view thereof;  
FIG. 3 is a front view thereof;  
FIG. 4 is a back view thereof;  
FIG. 5 is a left side view thereof;  
FIG. 6 is a right side view thereof;  
FIG. 7 is a top view thereof; and,  
FIG. 8 is a bottom view thereof.

The broken lines shown in the drawings depict portions of the scale in which the design is embodied that form no part of the claimed design.

**1 Claim, 8 Drawing Sheets**



(56)

**References Cited**

U.S. PATENT DOCUMENTS

D934,710 S \* 11/2021 Mirth ..... D10/91

FOREIGN PATENT DOCUMENTS

CN	305963722	*	1/2020
CN	306468267	*	10/2020
GB	6040694	*	8/2018
JP	D1627154	*	2/2019

OTHER PUBLICATIONS

EatSmart, Digital Baby and Pet Weight Scale, Date first available Nov. 8, 2017, [online]retrieved Jul. 21, 2021, available from [Petyoung Multi-Function Digital Pet Scale, Date first available Feb. 1, 2020, \[online\]retrieved Jul. 27, 2021, available from \[Greater Goods Store, Smart Baby Scale, Date first available Feb. 25, 2020, \\[online\\]retrieved Jul. 21, 2021, available from \\[\\\\* cited by examiner\\]\\(https://www.amazon.com/GreaterGoods-Toddler-Infant-Function-Included/dp/B07WRSJC77/ref=asc\\_df\\_B07WRSJC77/?tag=&linkCode=df0&hvadid=416770128608&hvpos=&hvnetw=g&hvrnd=1399377 \\(Year: 2020\\).\\*</a></p></div><div data-bbox=\\)\]\(https://www.amazon.com/dp/B084DP24JF/ref=sspa\_dk\_detail\_3?psc=1&pd\_rd\_i=B084DP24JF&pd\_rd\_w=ldmpH&pf\_rd\_p=eff89026-4a7e-4247-9014-41bfda9dafc0&pd\_rd\_wg \(Year: 2020\).\*</a></p></div><div data-bbox=\)](https://www.amazon.com/EatSmart-Precision-Digital-Weight-Capacity/dp/B0777QMMQV/ref=pd_sbs_5/141-7747482-1120229?pd_rd_w=ZzgwN&pf_rd_p=0f56f70f-21e6-4d11-bb4a-bcdb928a3c5a&pf_rd_ (Year: 2017).*</a></p></div><div data-bbox=)

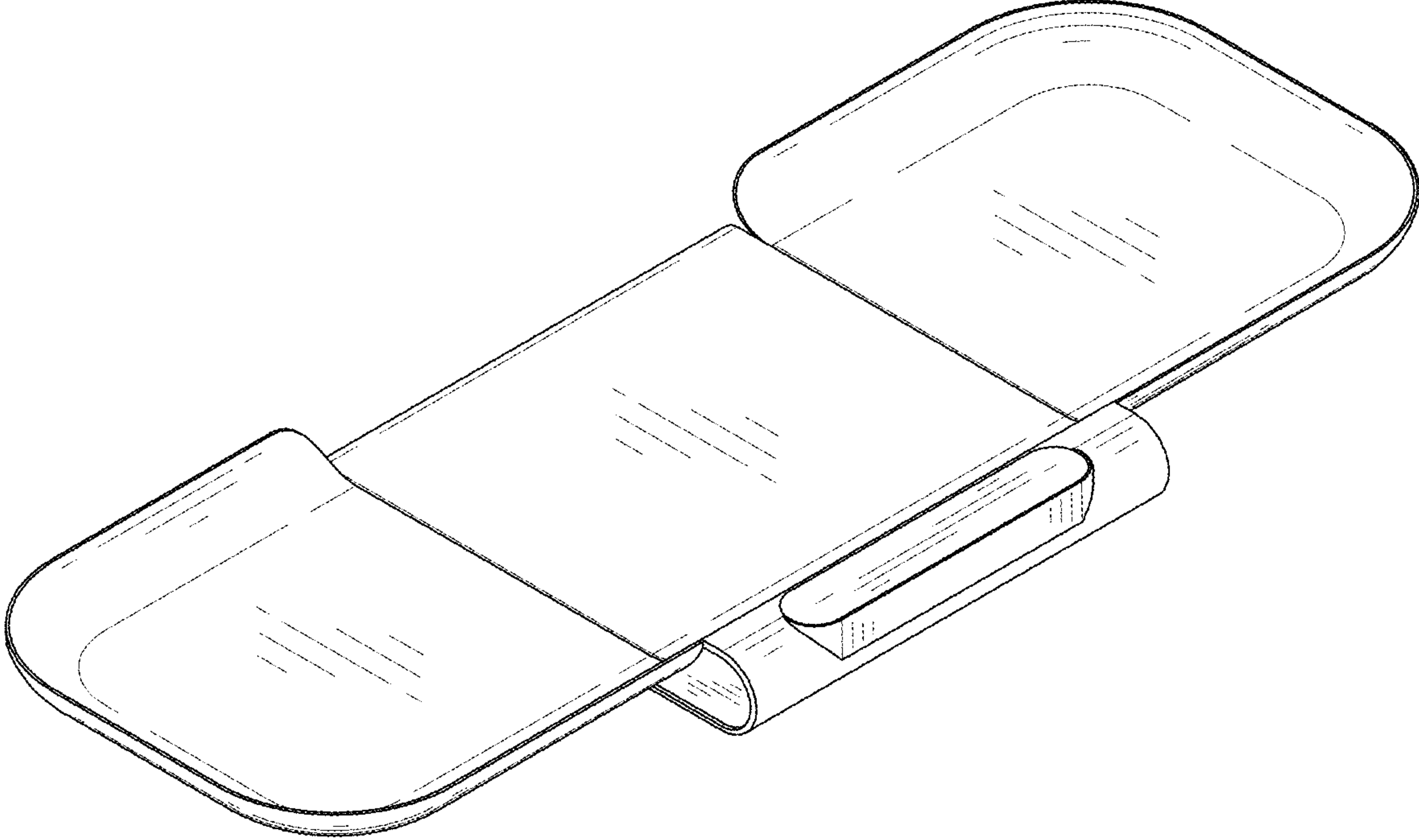


FIG. 1

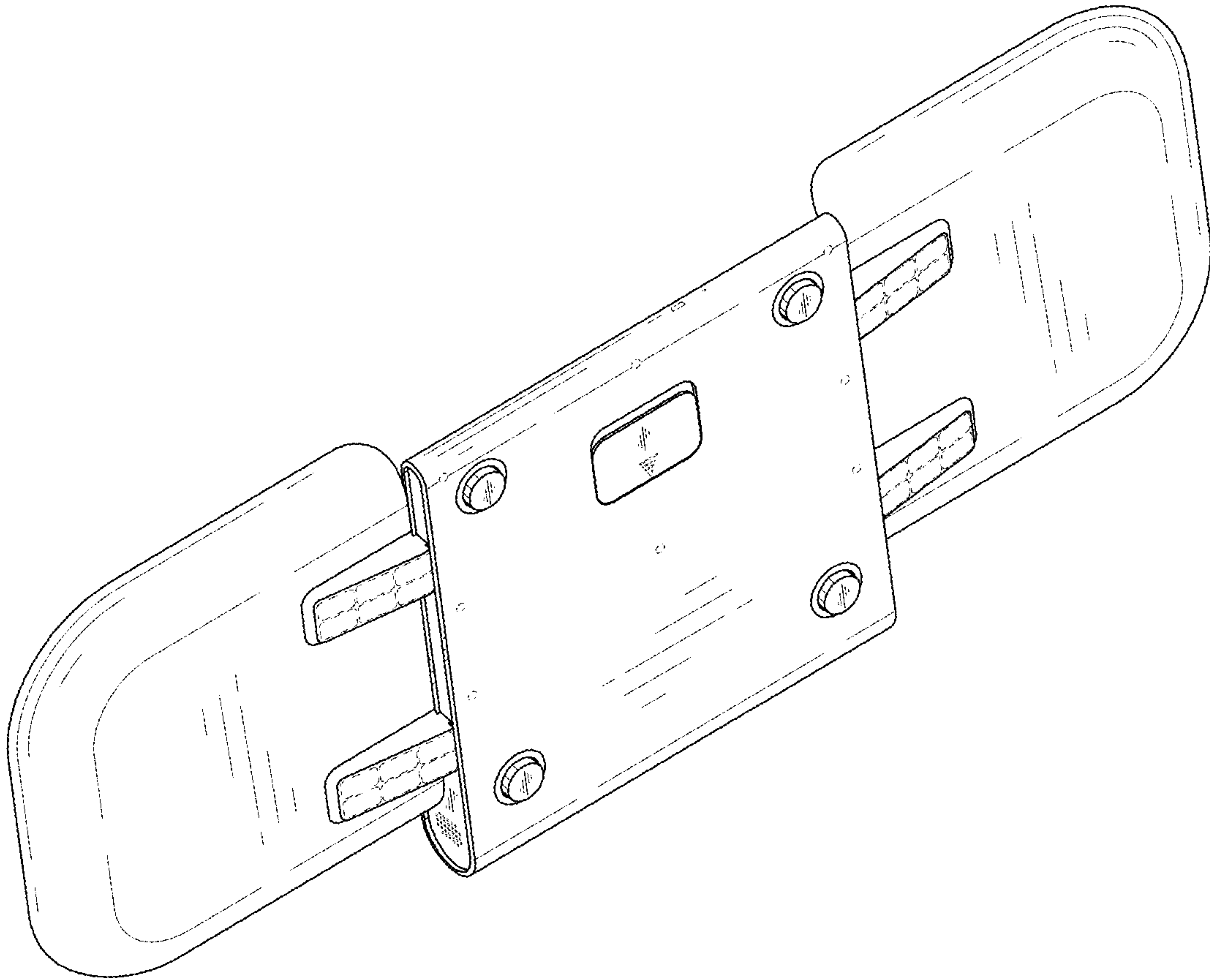


FIG. 2



FIG. 3

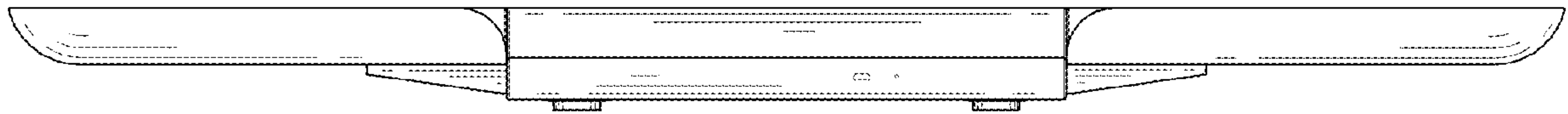


FIG. 4

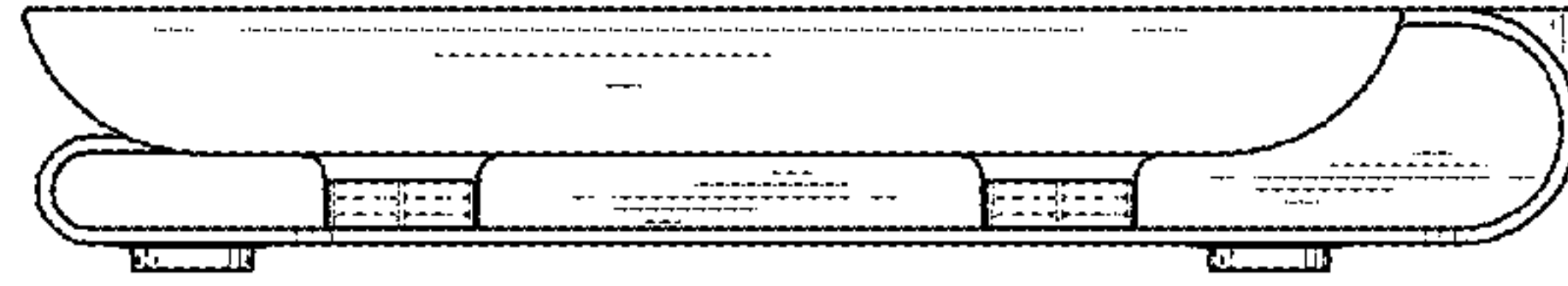


FIG. 5



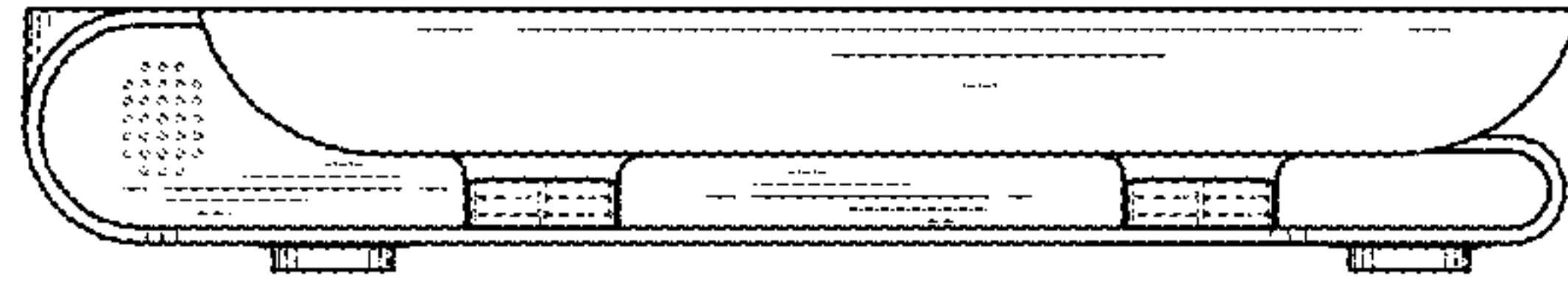


FIG. 6



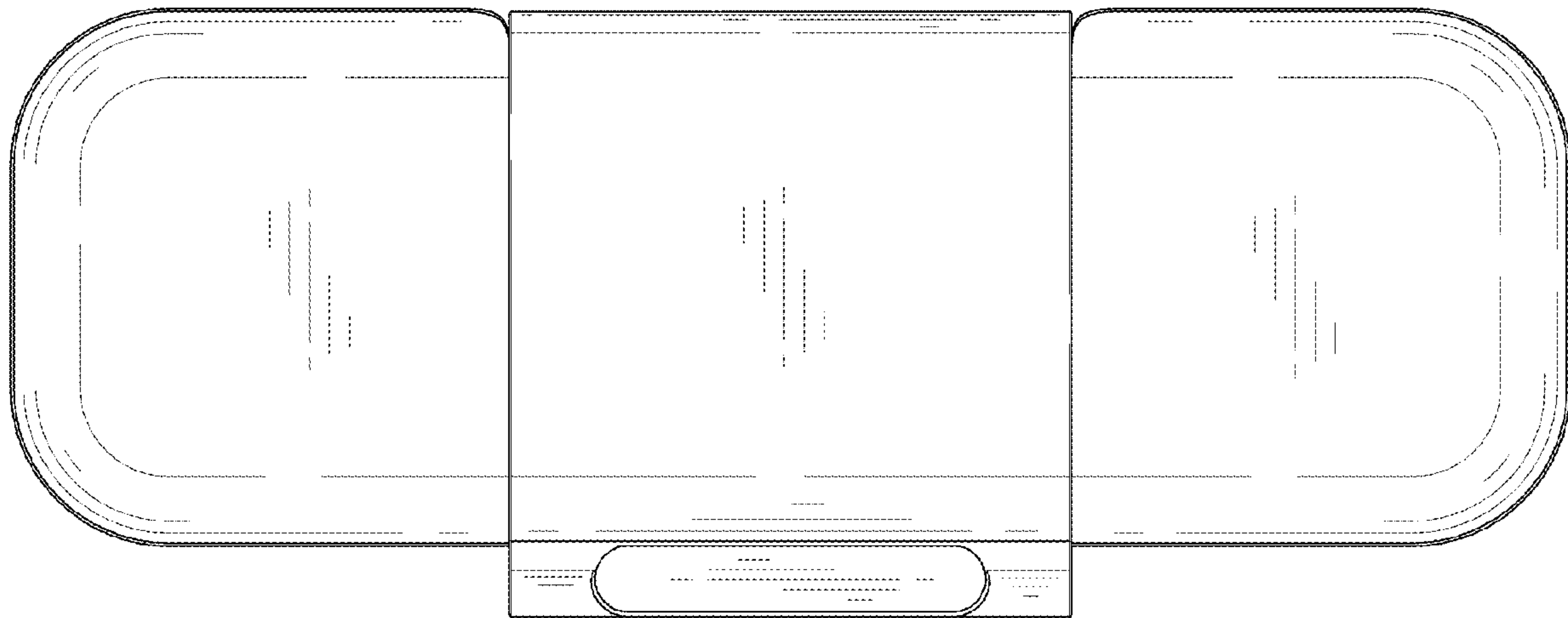


FIG. 7

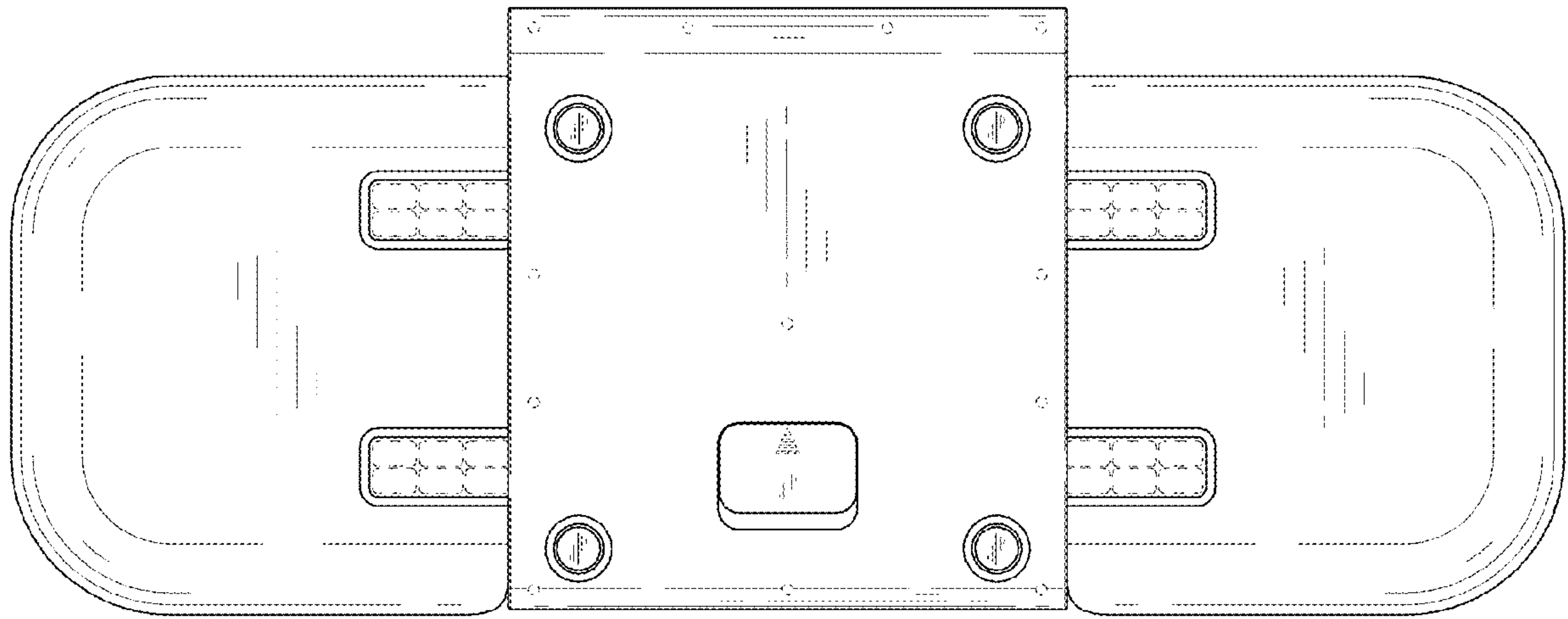


FIG. 8