



US00D948359S

(12) **United States Design Patent**
Garza

(10) **Patent No.:** **US D948,359 S**
(45) **Date of Patent:** **** Apr. 12, 2022**

(54) **CRAFTING TOOL**

(71) Applicant: **My Sweet Petunia, Inc.**, Sherrard, IL (US)

(72) Inventor: **Iliana Garza**, Sherrard, IL (US)

(73) Assignee: **My Sweet Petunia, Inc.**, Humble, TX (US)

(**) Term: **15 Years**

(21) Appl. No.: **29/730,745**

(22) Filed: **Apr. 8, 2020**

(51) **LOC (13) Cl.** **10-04**

(52) **U.S. Cl.**
USPC **D10/71**

(58) **Field of Classification Search**

USPC D10/69, 74, 71, 65; D19/133, 156
CPC . G01C 5/00; G01C 15/02; G01C 9/24; G01C 9/26; G01C 9/28; G01C 9/30; G01C 9/32; G01C 9/34; G01C 9/36; G06N 20/00; G01B 3/566; B43L 7/02; B43L 7/027; B43L 7/0275; B43L 9/02; B43K 29/08; B43K 27/02; B43K 29/004; B43K 29/001; B43K 29/10

See application file for complete search history.

(56) **References Cited**

U.S. PATENT DOCUMENTS

807,873 A *	12/1905	Sharp	G01C 9/34
				33/389
4,779,346 A *	10/1988	Schafer	B43L 7/00
				33/1 B
5,282,317 A *	2/1994	Carter	A41H 3/06
				33/1 B
5,768,791 A *	6/1998	V	B41J 29/28
				33/1 B

(Continued)

Primary Examiner — L. A. Grabenstetter

Assistant Examiner — Antoinette Martine Suiter

(74) *Attorney, Agent, or Firm* — Shane Cortesi

(57) **CLAIM**

The ornamental design for a crafting tool, as shown and described.

DESCRIPTION

FIG. 1 is a front right bottom perspective view of a crafting tool in accordance with the present invention.

FIG. 2 is a back right bottom perspective view showing the crafting tool of FIG. 1.

FIG. 3 is a front elevation view showing the crafting tool of FIG. 1.

FIG. 4 is a left elevation view showing the crafting tool of FIG. 1.

FIG. 5 is a right elevation view showing the crafting tool of FIG. 1.

FIG. 6 is a top plan view showing the crafting tool of FIG. 1.

FIG. 7 is a bottom plan view showing the crafting tool of FIG. 1.

FIG. 8 is a rear perspective view showing the crafting tool of FIG. 1.

FIG. 9 is a front right bottom perspective view of a crafting tool in accordance with the present invention.

FIG. 10 is a back right bottom perspective view showing the crafting tool of FIG. 9.

FIG. 11 is a front elevation view showing the crafting tool of FIG. 9.

FIG. 12 is a left elevation view showing the crafting tool of FIG. 9.

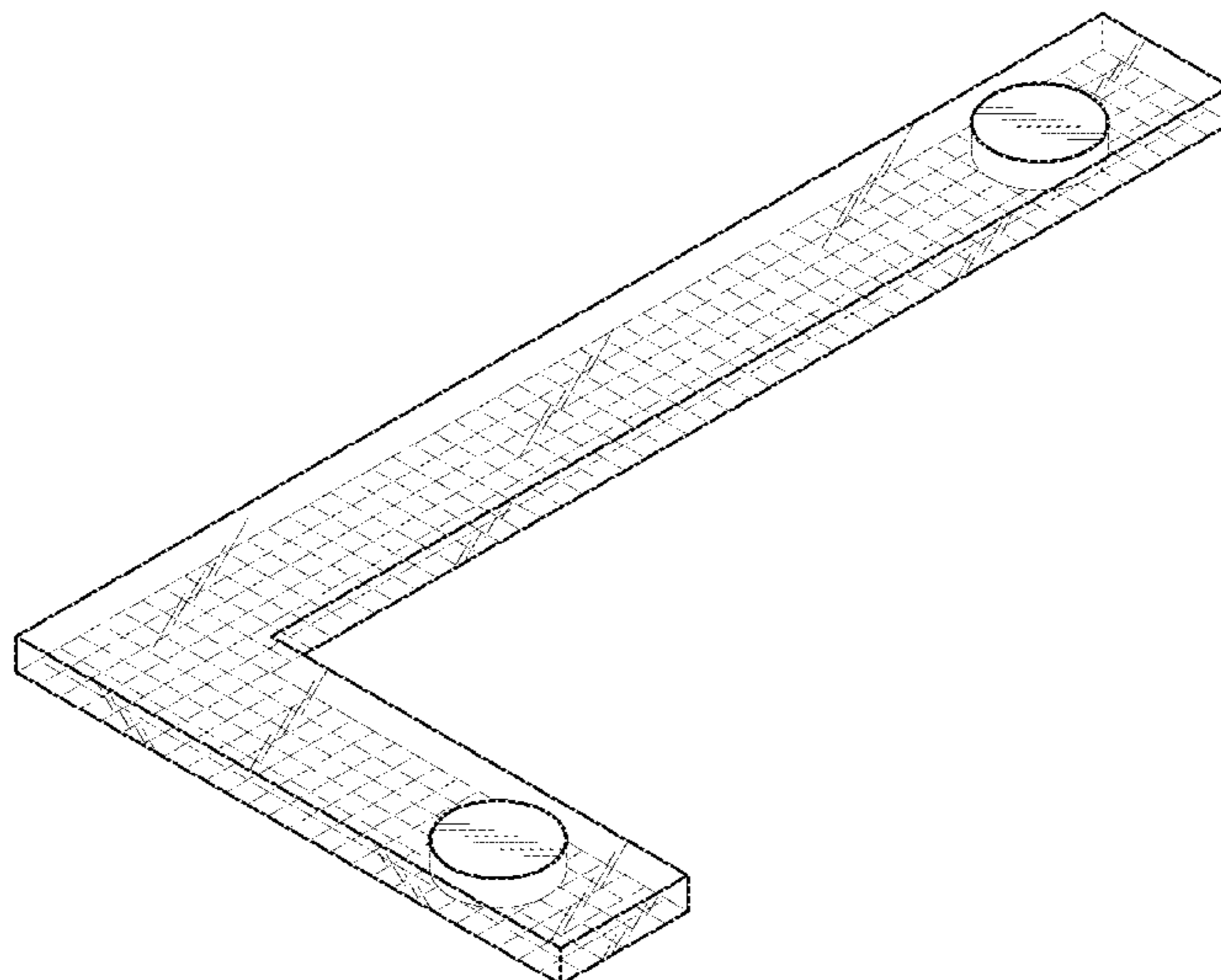
FIG. 13 is a right elevation view showing the crafting tool of FIG. 9.

FIG. 14 is a top plan view showing the crafting tool of FIG. 9.

FIG. 15 is a bottom plan view showing the crafting tool of FIG. 9; and,

FIG. 16 is a rear perspective view showing the crafting tool of FIG. 9.

1 Claim, 8 Drawing Sheets



(56)

References Cited

U.S. PATENT DOCUMENTS

6,729,035	B1 *	5/2004	Carrillo	E04F 21/0076 33/526
6,854,189	B2 *	2/2005	Schafer	B26B 29/06 33/1 B
7,043,850	B2 *	5/2006	Brady	G01B 3/002 33/11
7,100,295	B1 *	9/2006	Chang	B43L 7/027 33/1 B
9,138,904	B2 *	9/2015	Thomas	B26D 7/018
9,597,909	B2 *	3/2017	Myska	B44B 5/0052
9,776,443	B1	10/2017	Myska		
11,059,312	B2 *	7/2021	Ericson	B41K 3/46
2004/0088870	A1 *	5/2004	Schafer	B26B 29/06 33/1 B
2005/0178013	A1 *	8/2005	Schafer	B43L 7/00 33/1 B
2006/0090360	A1 *	5/2006	Shapiro	G01B 3/04 33/473
2007/0193049	A1 *	8/2007	Vetromila	G01B 3/566 33/436
2015/0322297	A1 *	11/2015	Yeh	C09J 7/22 428/41.8
2018/0001498	A1 *	1/2018	Oey	G01B 1/00
2019/0204057	A1 *	7/2019	Chen	G01B 3/04
2019/0389238	A1 *	12/2019	Nakamura	B41J 3/36

* cited by examiner

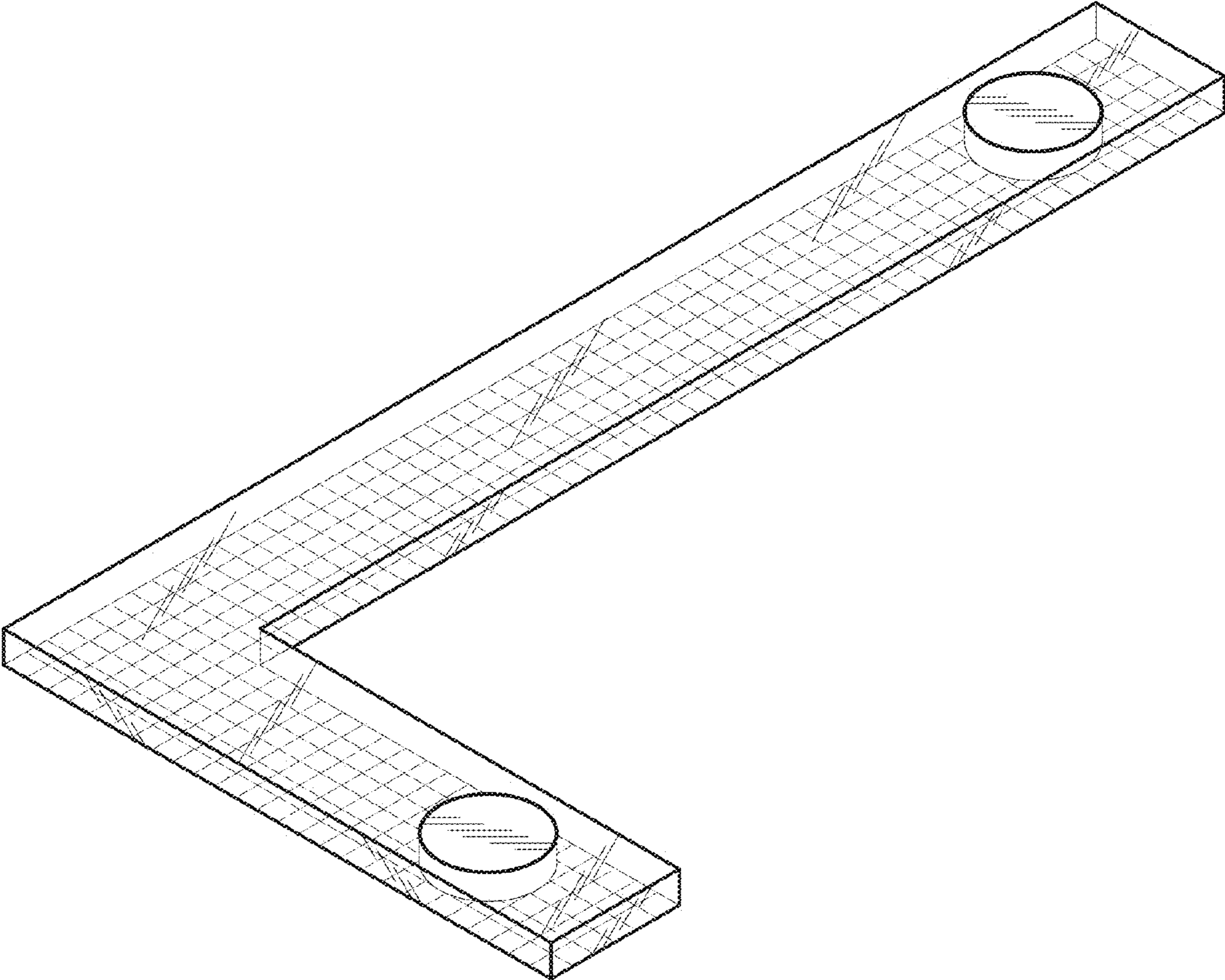


FIG. 1

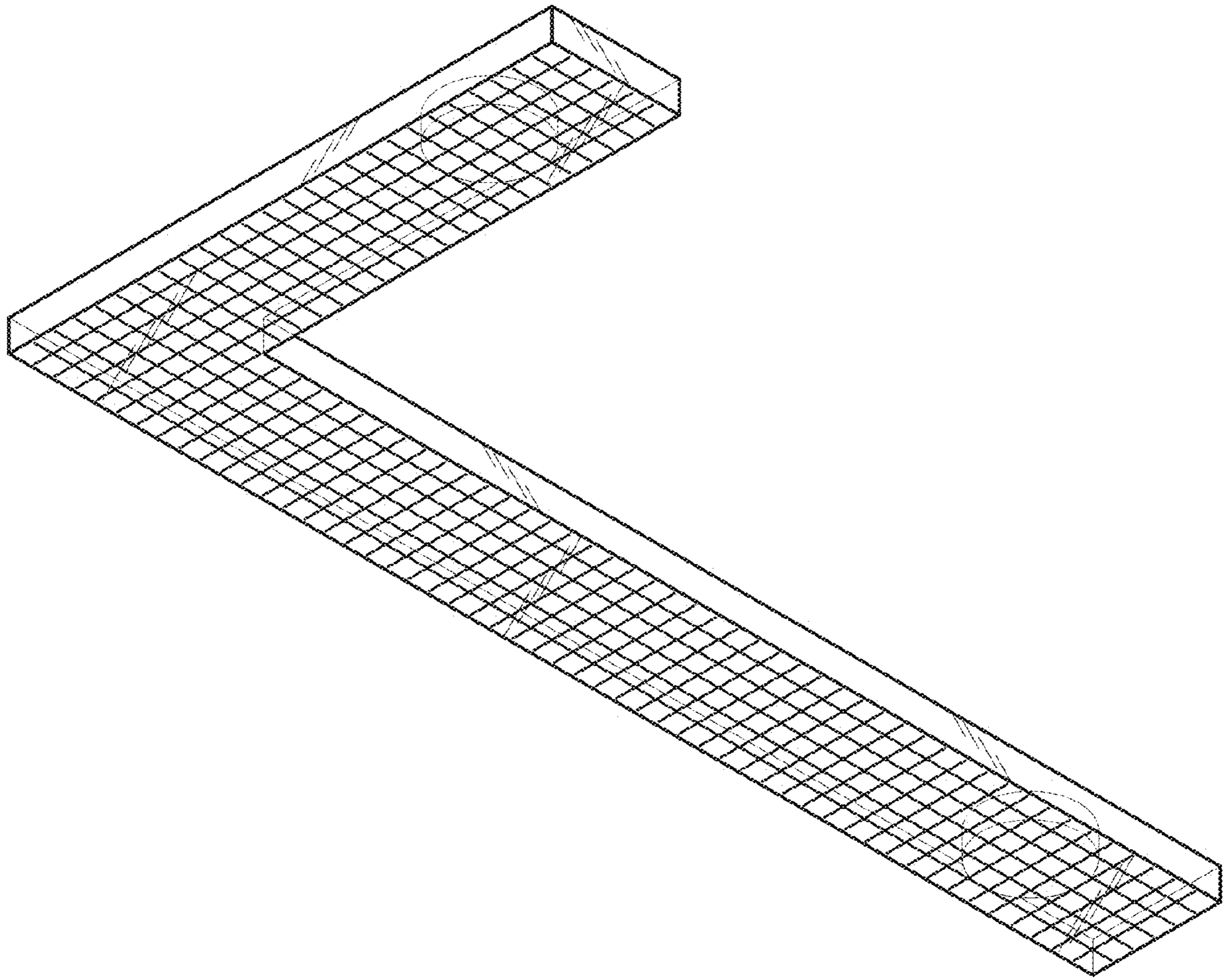


FIG. 2

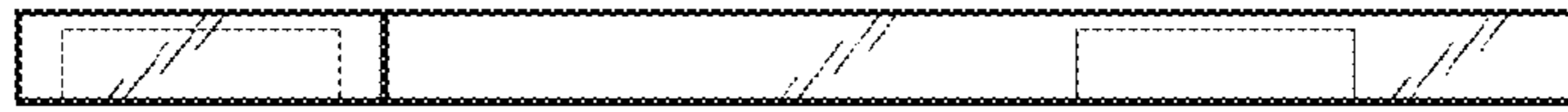


FIG. 6



FIG. 4

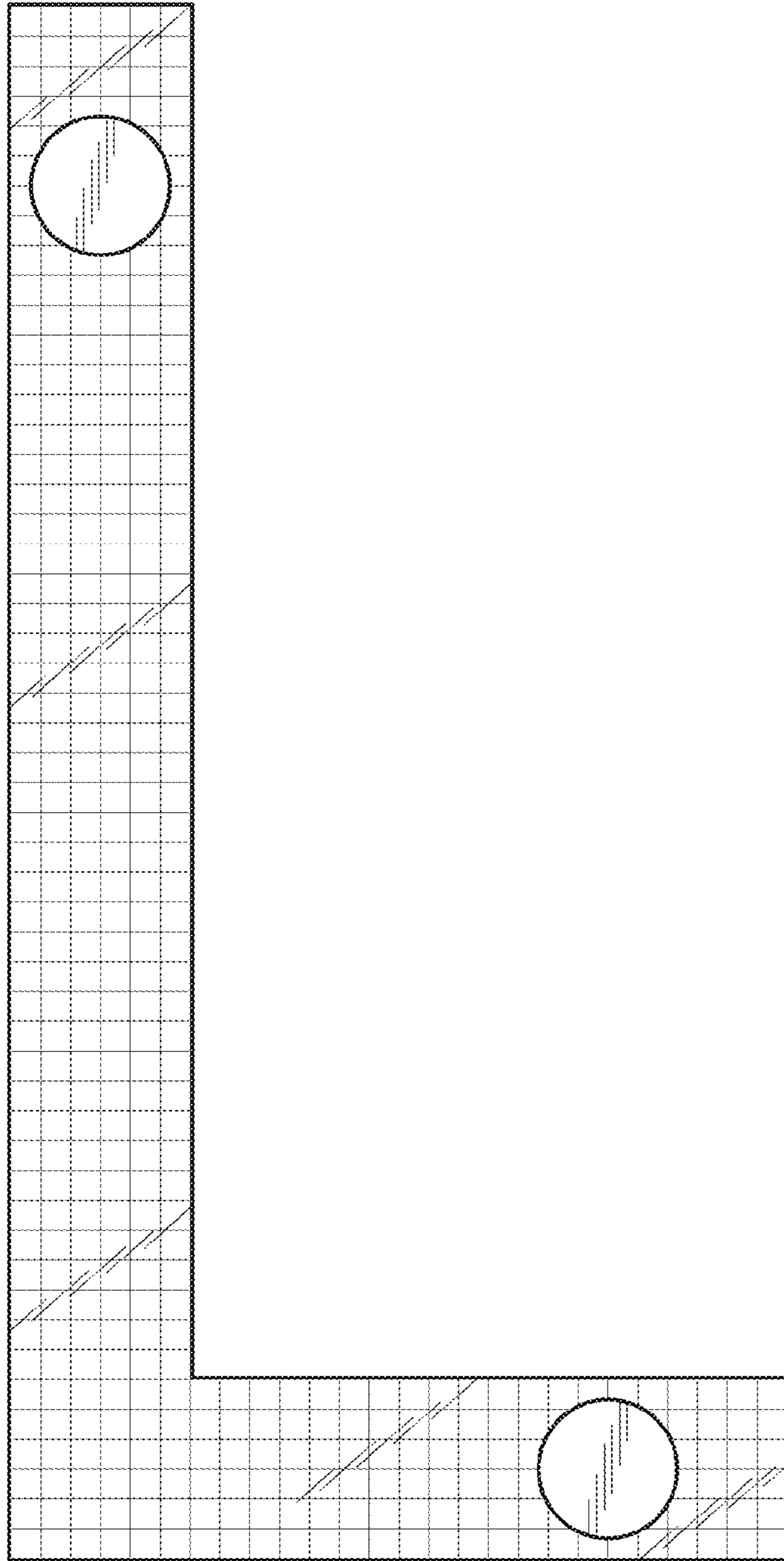


FIG. 3

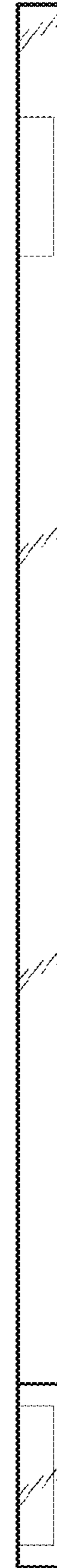


FIG. 5

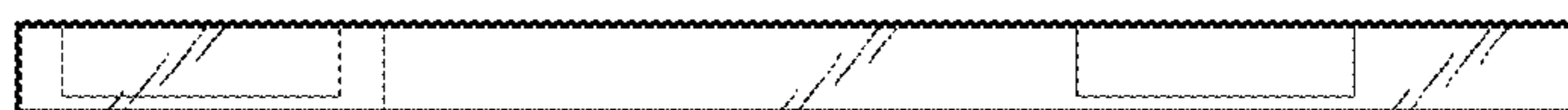


FIG. 7

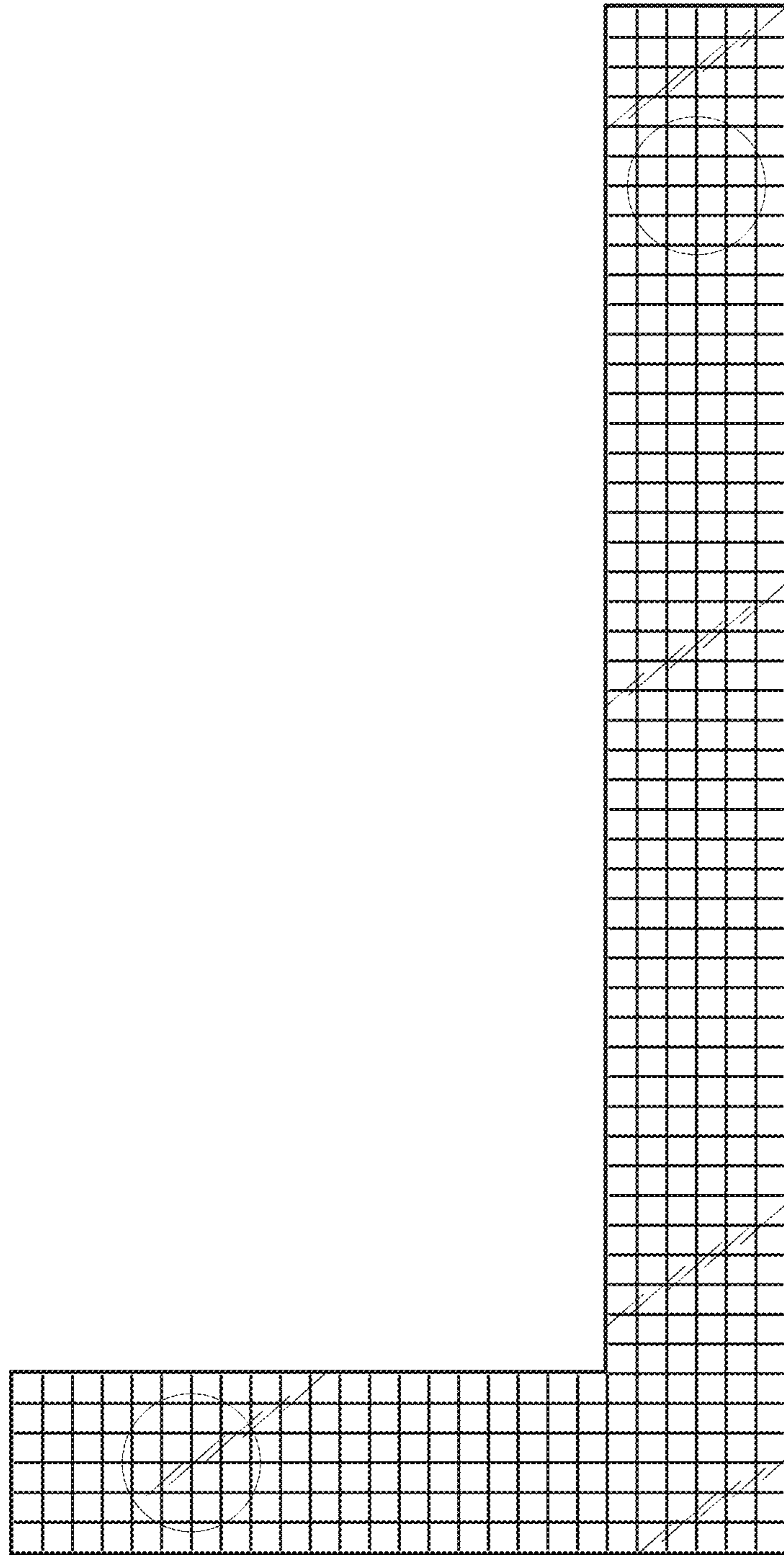


FIG. 8

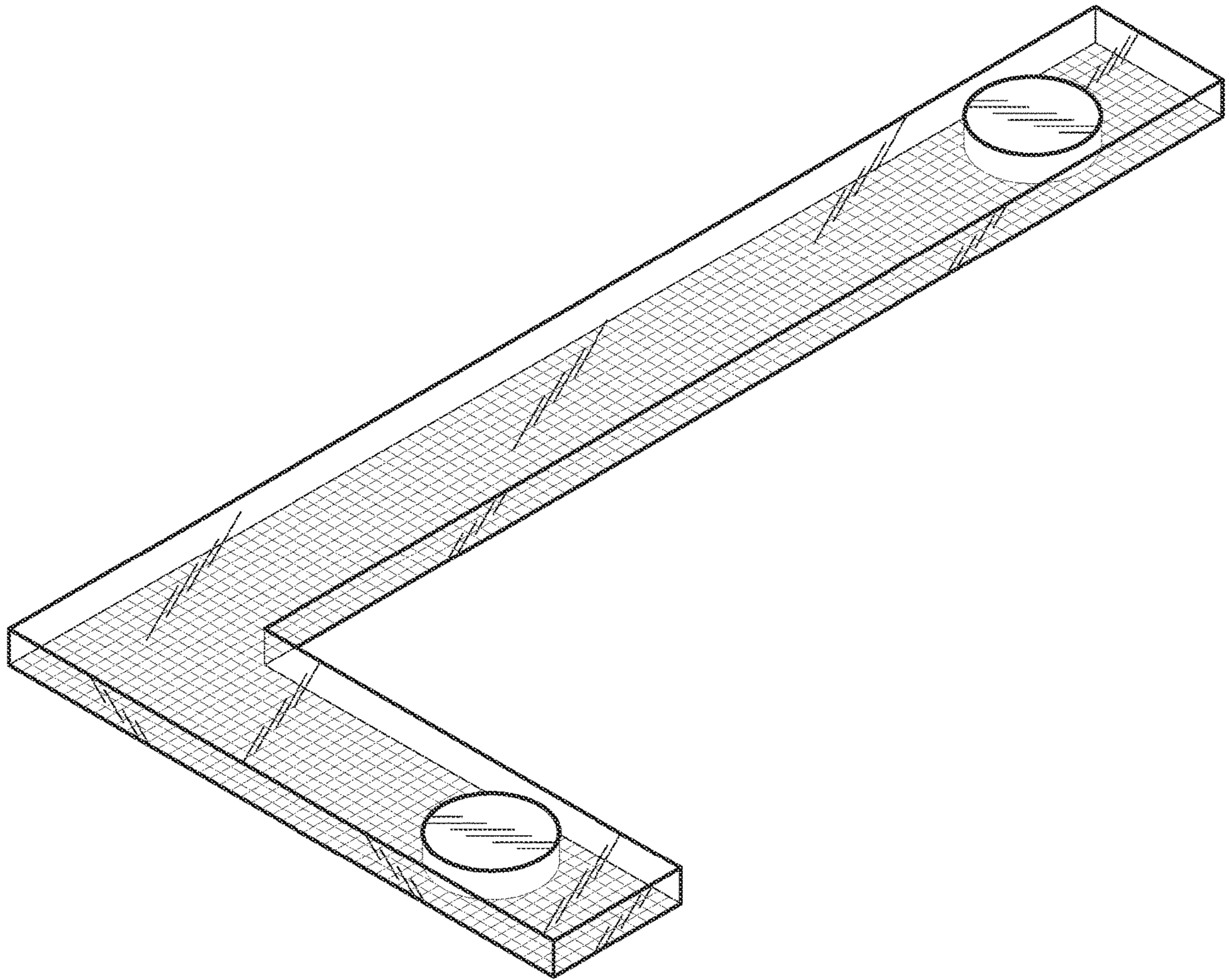


FIG. 9

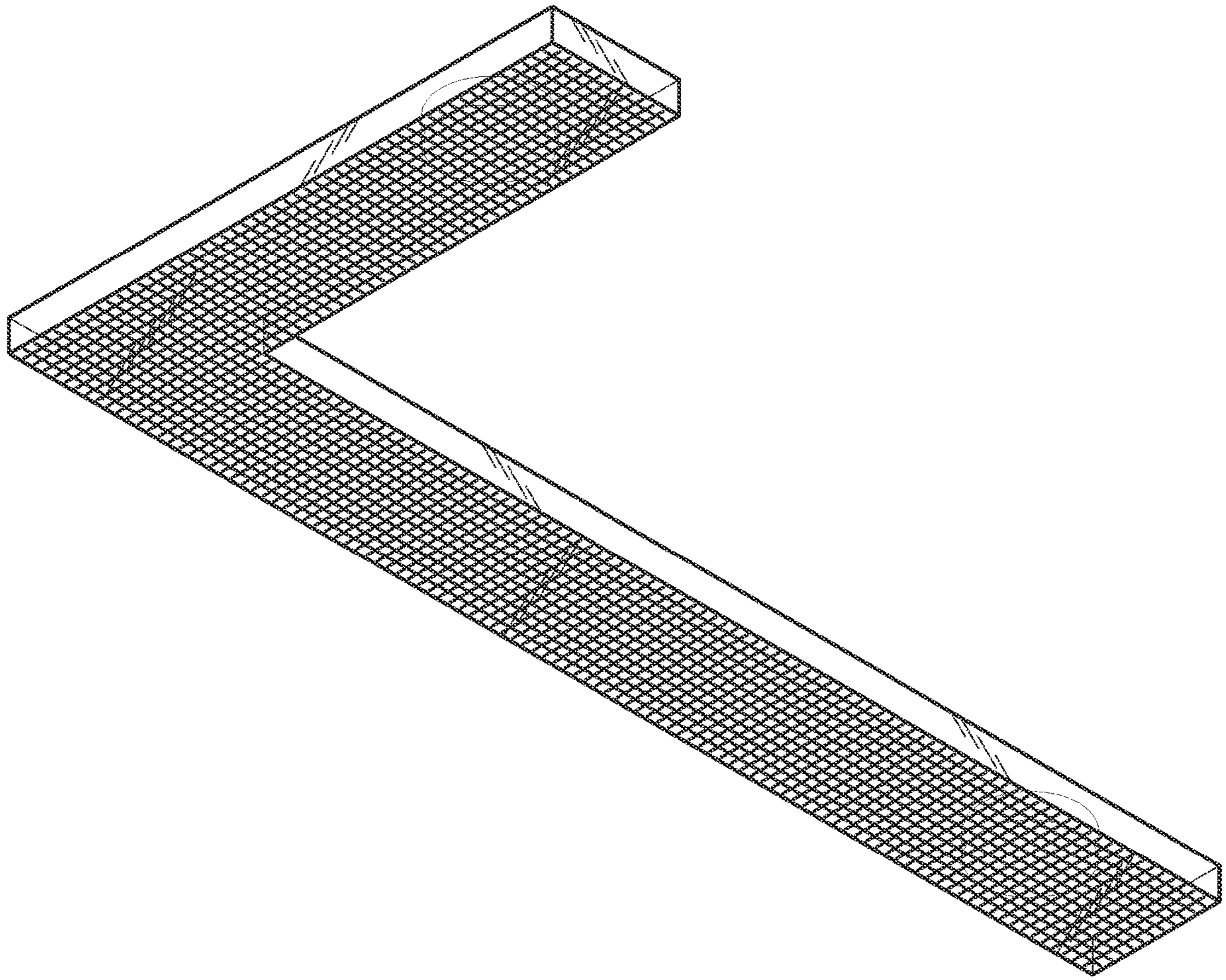


FIG. 10



FIG. 14

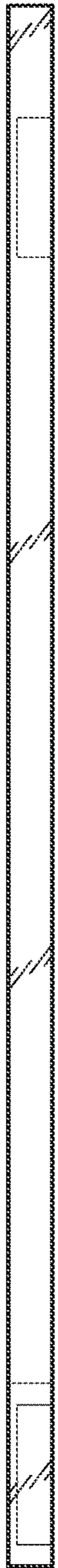


FIG. 12

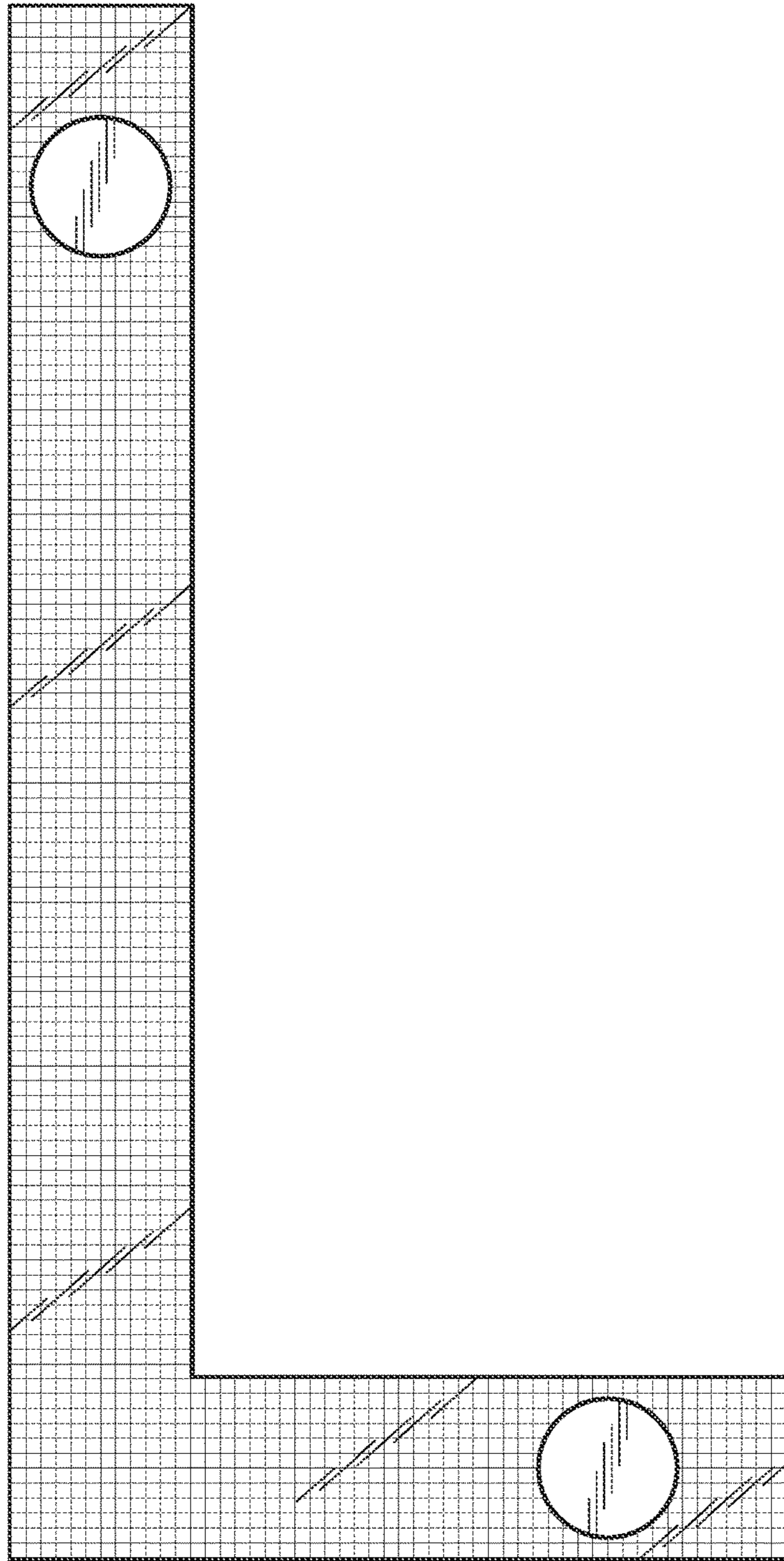


FIG. 11



FIG. 13

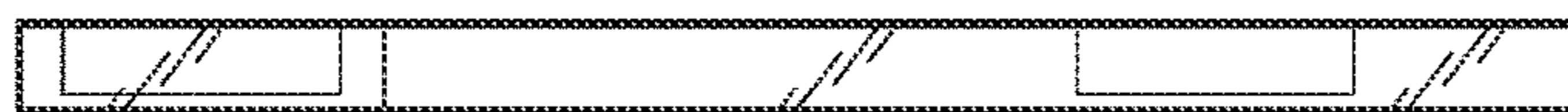


FIG. 15

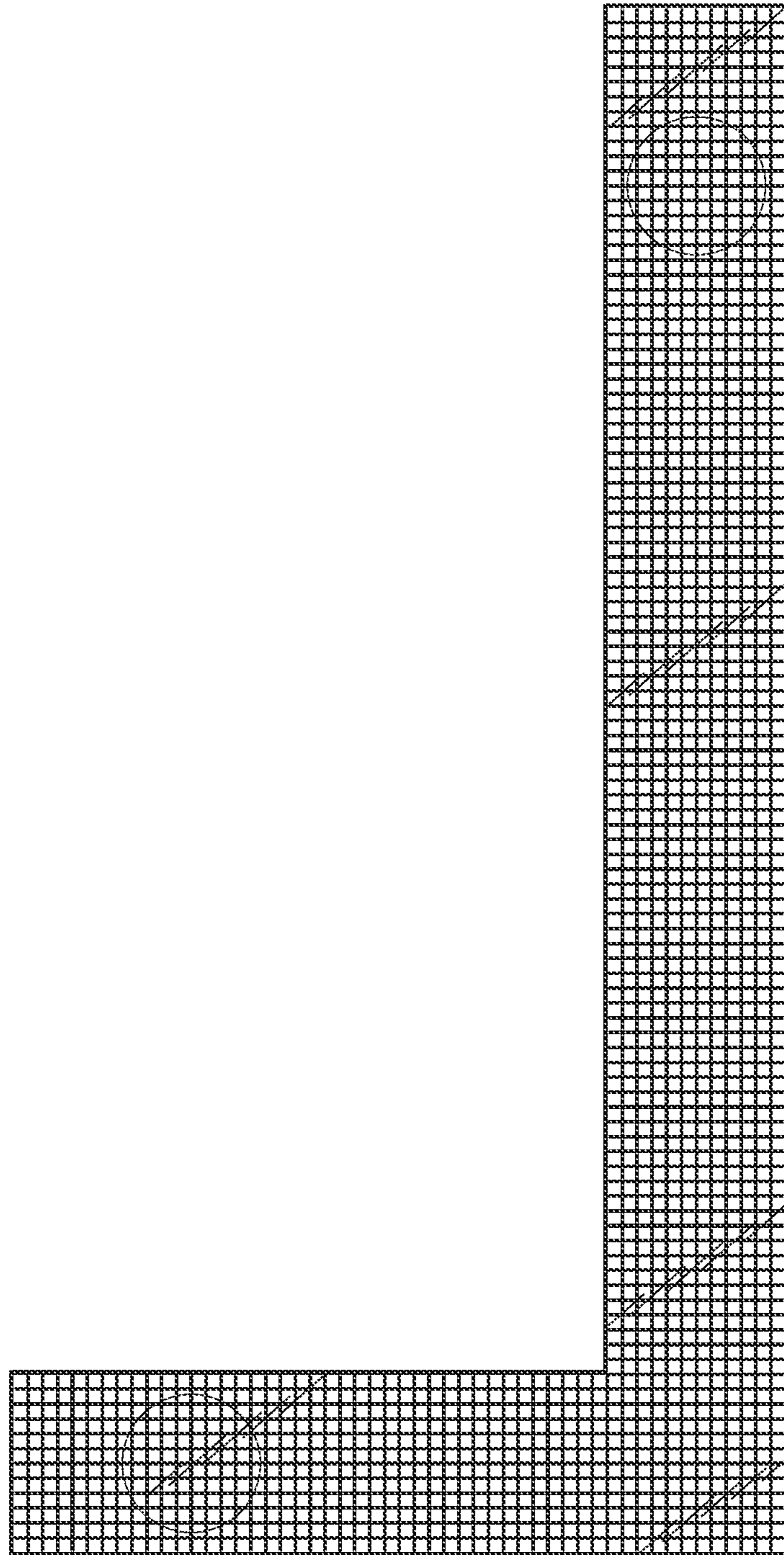


FIG. 16