

US00D948355S

(12) **United States Design Patent**
Guo

(10) **Patent No.:** **US D948,355 S**

(45) **Date of Patent:** **** Apr. 12, 2022**

(54) **PROBE THERMOMETER**

(71) Applicant: **Guangyu Guo**, Zhoukou (CN)

(72) Inventor: **Guangyu Guo**, Zhoukou (CN)

(**) Term: **15 Years**

(21) Appl. No.: **29/781,490**

(22) Filed: **Apr. 30, 2021**

(51) **LOC (13) Cl.** **10-04**

(52) **U.S. Cl.**
USPC **D10/57**

(58) **Field of Classification Search**
USPC D10/57
CPC G01K 1/083; G01K 1/18; G01K 13/002;
G01K 13/20
See application file for complete search history.

(56) **References Cited**

U.S. PATENT DOCUMENTS

- 3,822,598 A * 7/1974 Brothers G01K 7/42
374/E7.042
- 3,946,615 A * 3/1976 Hluchan G01L 9/007
73/722
- 4,117,723 A * 10/1978 Maravich G01K 7/24
374/E13.002
- D254,723 S * 4/1980 Lawrence G01K 13/20
D10/57
- 4,741,627 A * 5/1988 Fukui G01K 13/20
374/E13.002
- D300,515 S * 4/1989 Chan G01K 7/42
D10/103
- D300,927 S * 5/1989 Lindinger-Lowy G01L 9/007
D14/150

- 5,181,521 A * 1/1993 Lemelson G01K 13/20
346/2
- D356,045 S * 3/1995 Payne D10/49
- D389,754 S * 1/1998 Skubala D10/57
- 6,351,217 B1 * 2/2002 Kuhn G01K 13/20
374/E13.002
- D460,923 S * 7/2002 Chen D10/52
- D518,744 S * 4/2006 Rosen G01K 13/20
D10/52
- 7,036,984 B2 * 5/2006 Penney G01K 13/20
374/170
- D795,106 S 8/2017 Alla
- D858,320 S 9/2019 Wang

* cited by examiner

Primary Examiner — Antoine Duval Davis

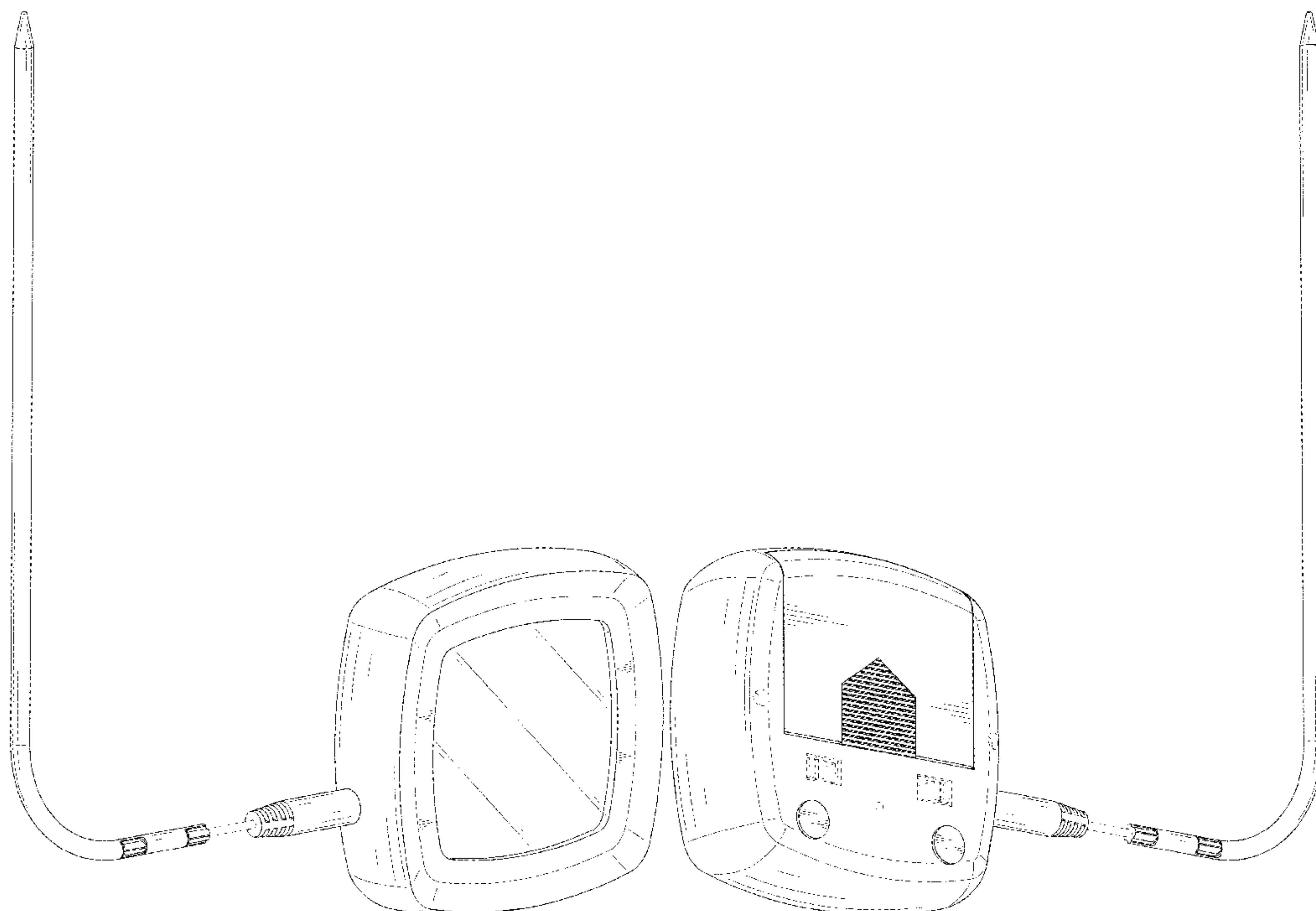
(57) **CLAIM**

The ornamental design for a probe thermometer, as shown and described.

DESCRIPTION

FIG. 1 is a perspective view of a probe thermometer showing my new design;
 FIG. 2 is another perspective view thereof;
 FIG. 3 is a front elevational view thereof;
 FIG. 4 is a rear elevational view thereof;
 FIG. 5 is a left side elevational view thereof;
 FIG. 6 is a right side elevational view thereof;
 FIG. 7 is a top plan view thereof;
 FIG. 8 is a bottom plan view thereof; and,
 FIG. 9 is an exploded perspective view of the probe thermometer.
 The broken lines in the drawings depict portions of the probe thermometer that form no part of the claimed design.

1 Claim, 9 Drawing Sheets



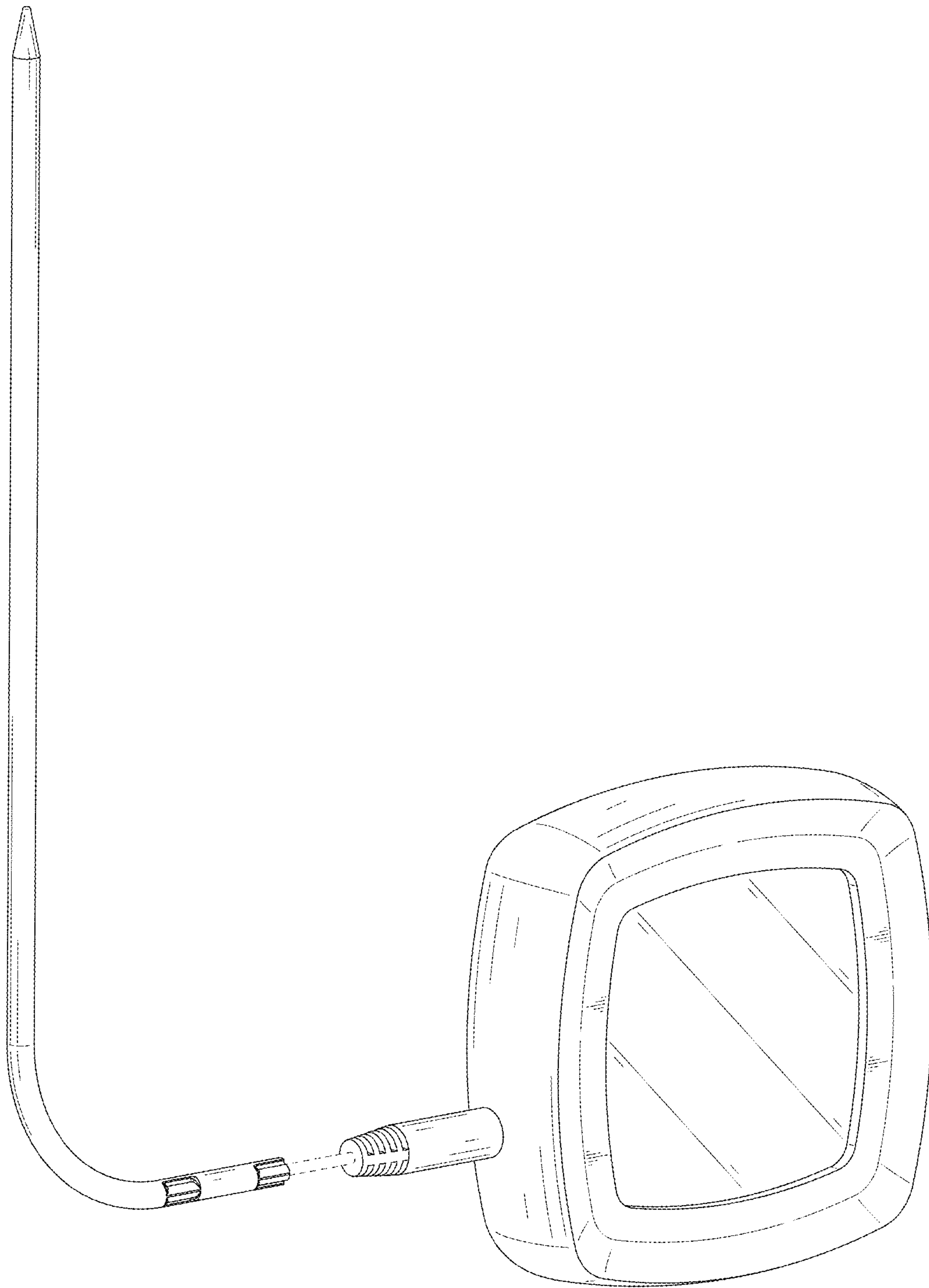


FIG. 1

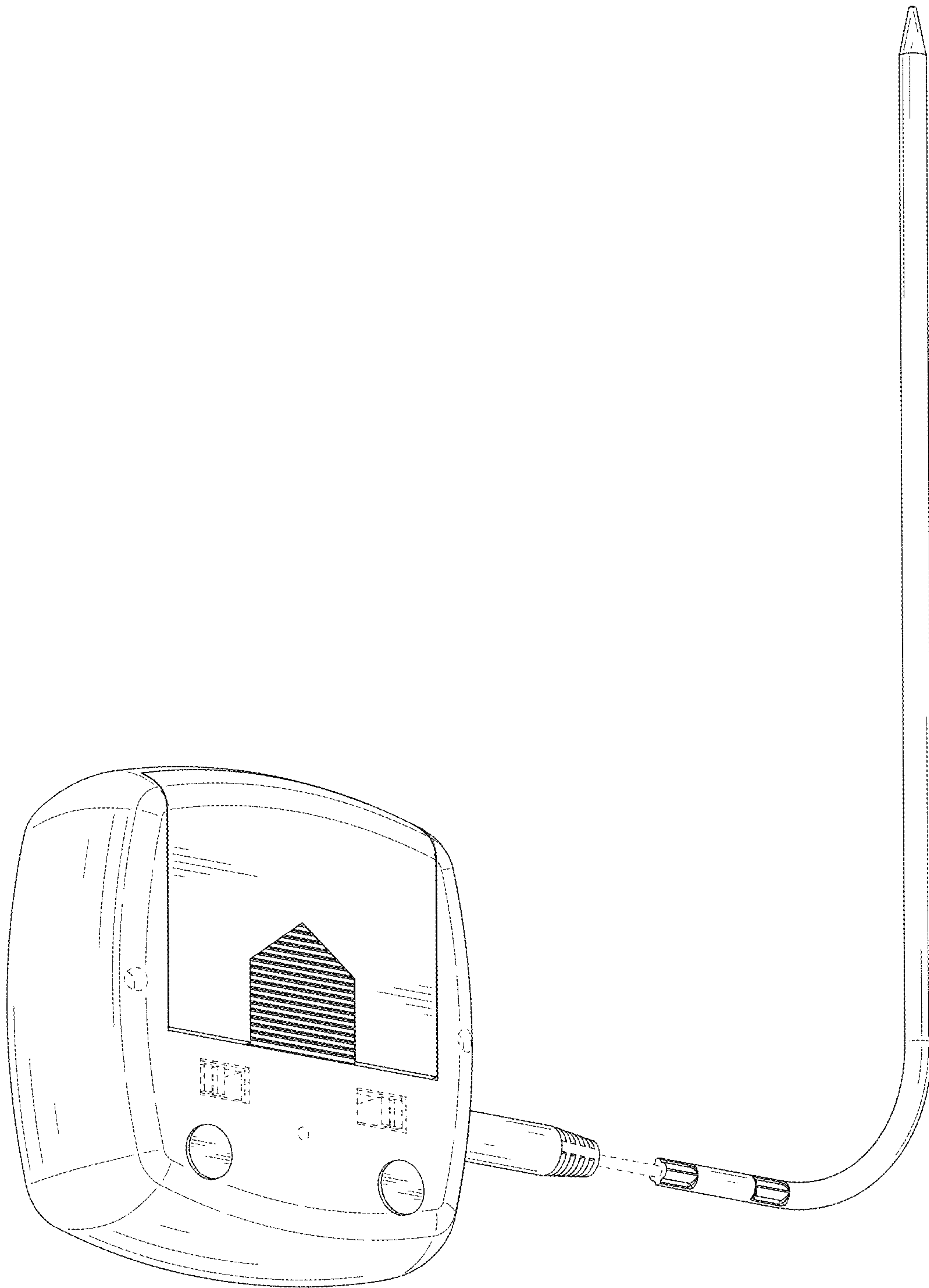


FIG. 2

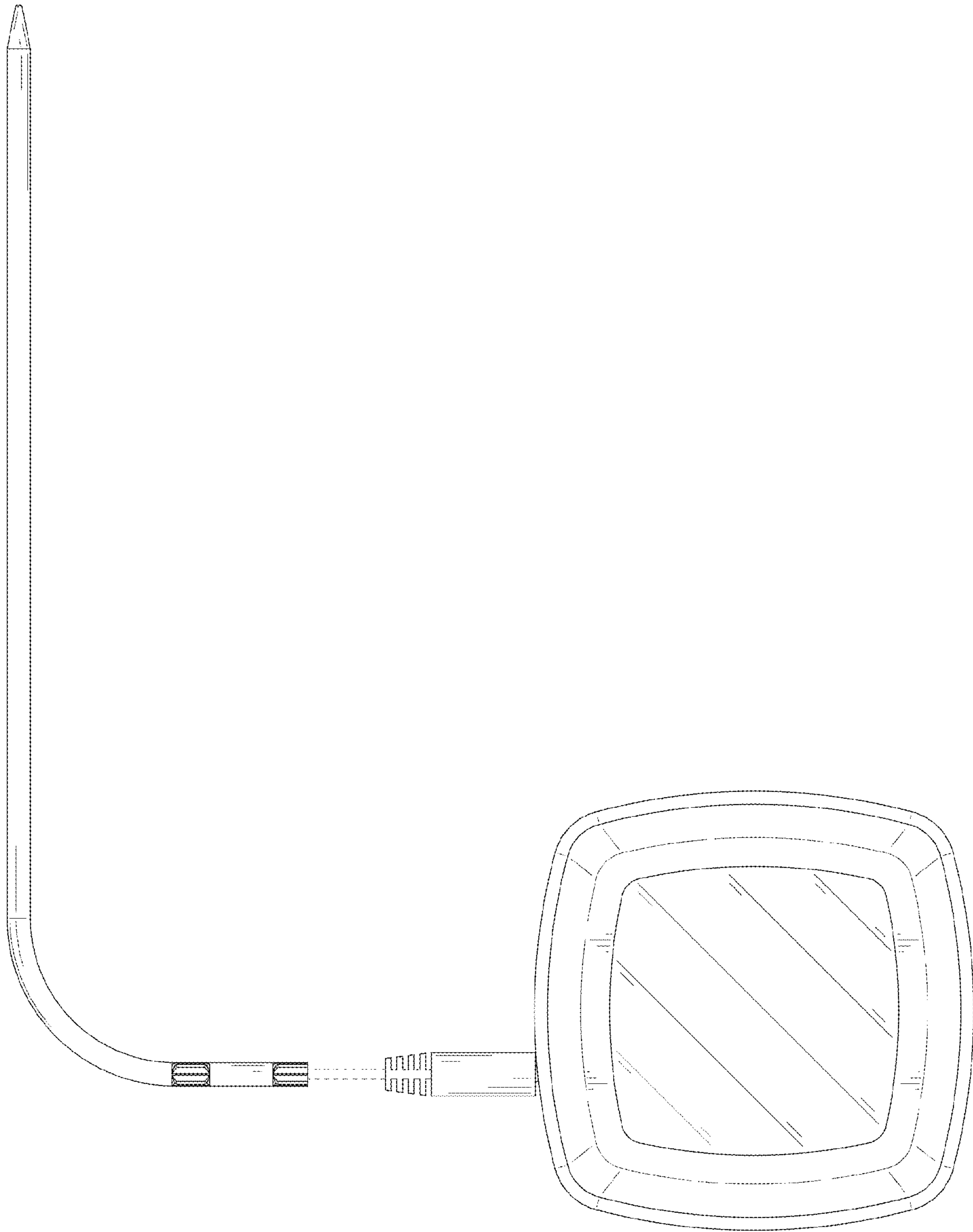


FIG. 3

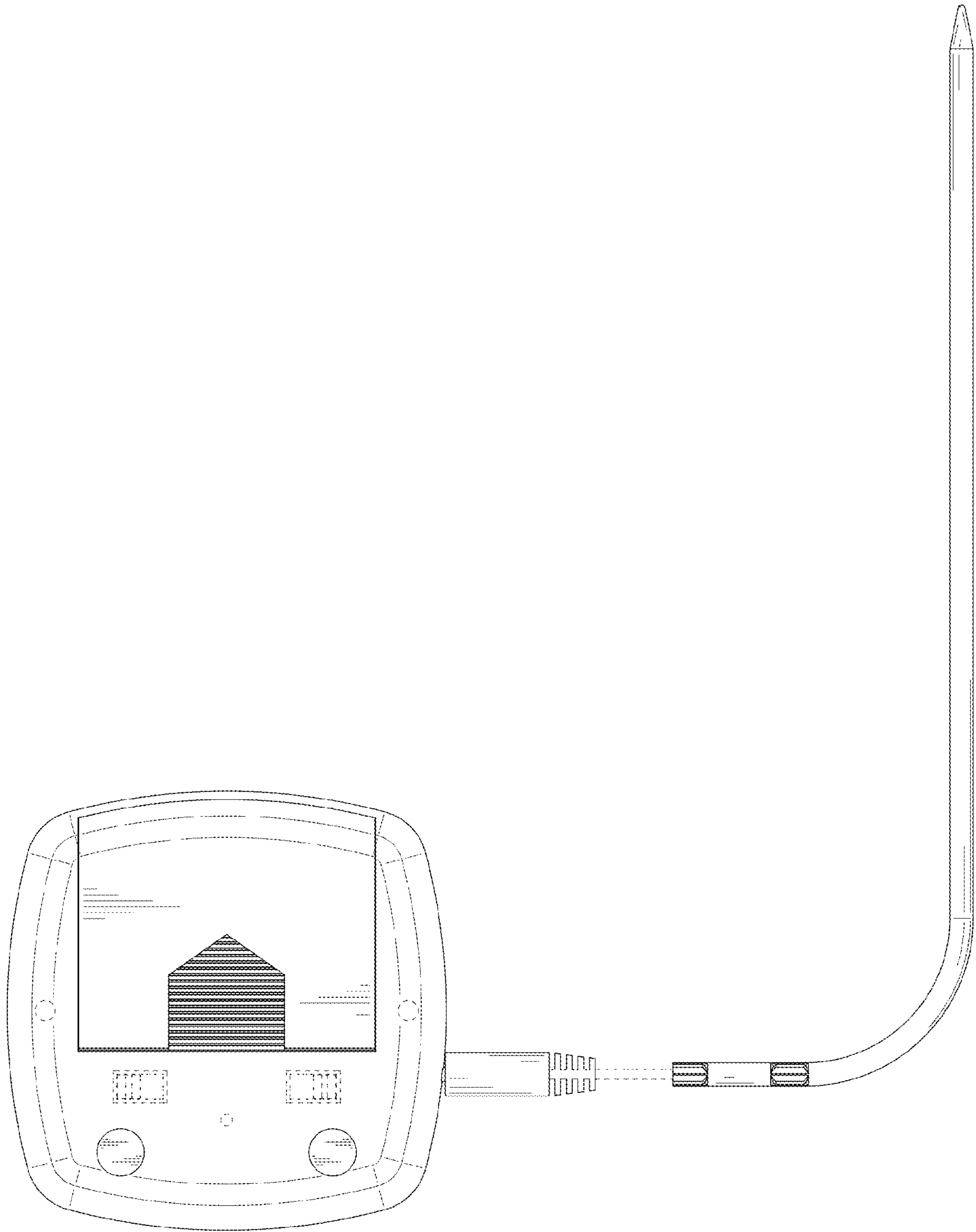


FIG. 4

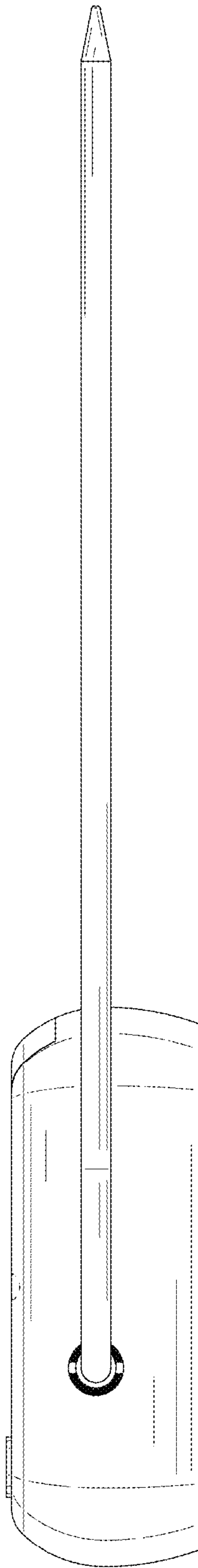


FIG. 5

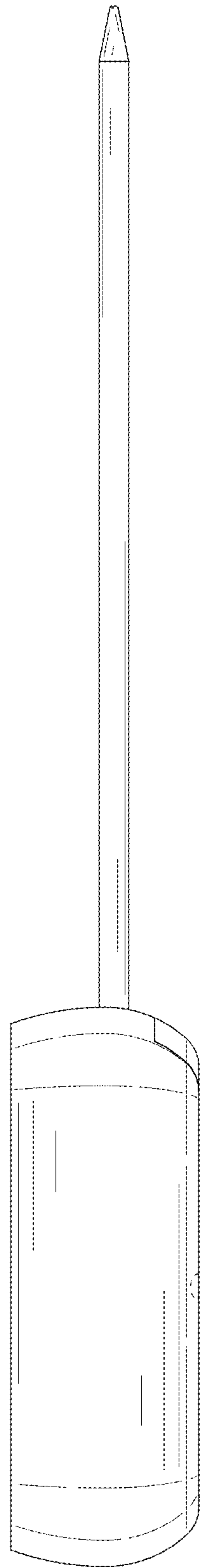


FIG. 6

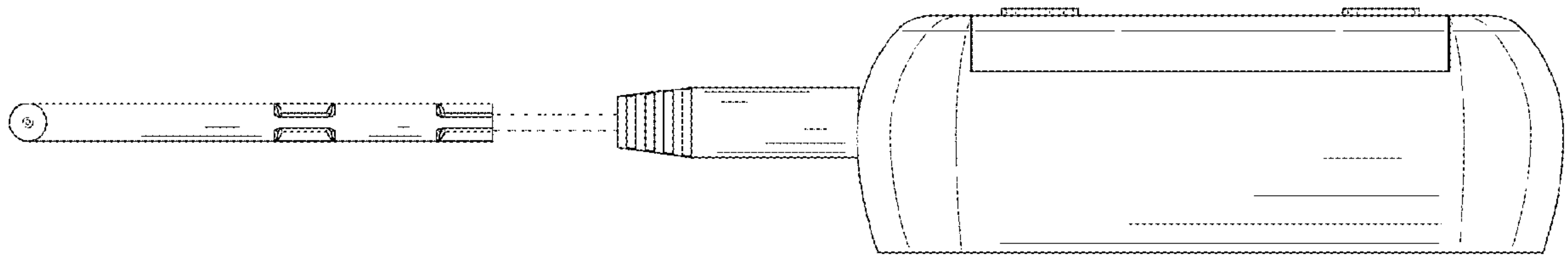


FIG. 7

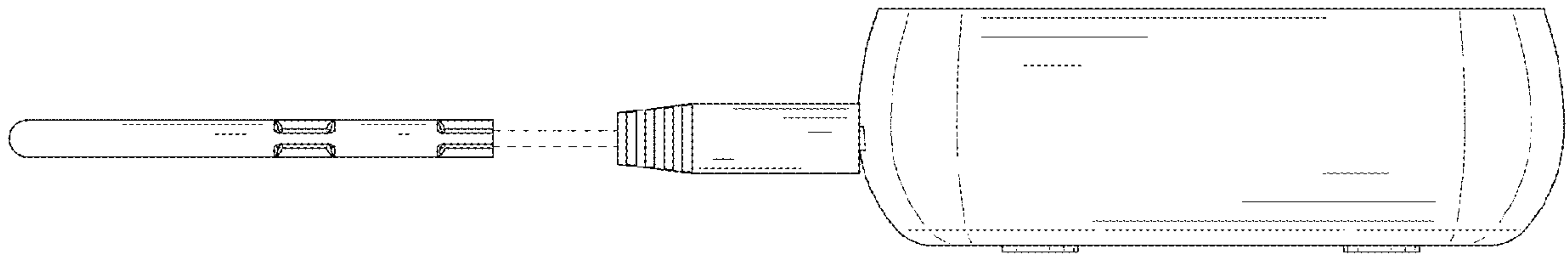


FIG. 8

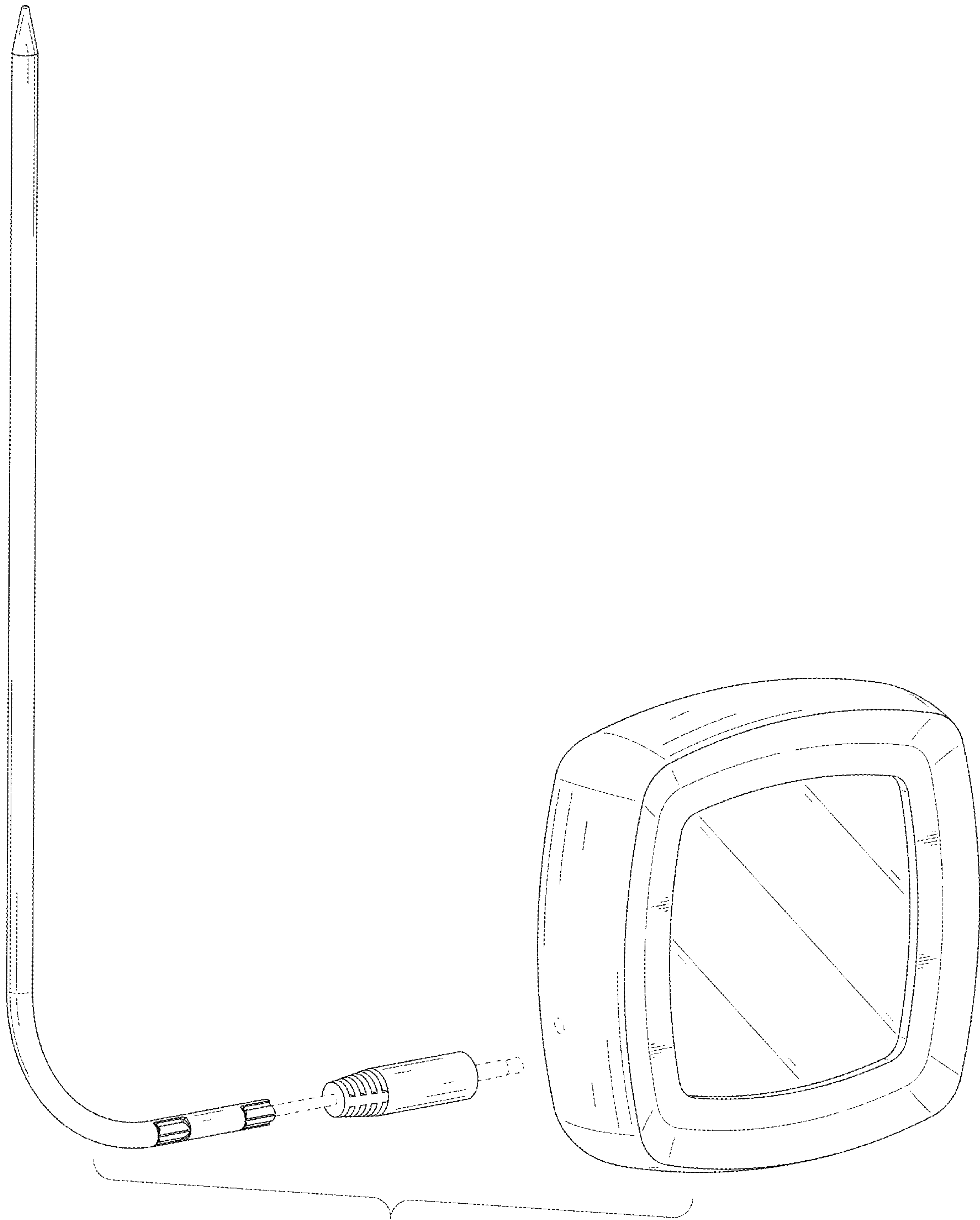


FIG. 9