



US00D948351S

(12) **United States Design Patent** (10) **Patent No.:** **US D948,351 S**
Roberts et al. (45) **Date of Patent:** **** Apr. 12, 2022**

(54) **PROCESS METAL DETECTION SYSTEM**

(71) Applicant: **THERMO RAMSEY LLC**, Carlsbad, CA (US)

(72) Inventors: **James Roberts**, East Bethel, MN (US);
Robert M. Ries, Plymouth, MN (US);
Sergey A. Moskalenko, Maple Grove, MN (US); **Syed Mohammad Hamzauddin**, Hyderabad (IN)

(**) Term: **15 Years**

(21) Appl. No.: **29/652,382**

(22) Filed: **Jul. 29, 2020**

(51) **LOC (13) Cl.** **10-04**

(52) **U.S. Cl.**
USPC **D10/47; D10/75**

(58) **Field of Classification Search**
USPC D10/47, 75, 81
CPC G01N 33/02; G01N 33/025; G01N 33/03;
G01N 33/04; G01N 33/06; G01N 33/08;
G01N 33/085; G01N 33/10; G01N
2033/105; G01N 33/12; G01N 33/14;
G01N 33/143; G01N 33/146; G01N
23/00; G01N 23/005; G01N 23/02; G01N
23/20; G01N 23/20008; G01N 23/20016;
G01N 23/22; G01N 2223/618

See application file for complete search history.

(56) **References Cited**

U.S. PATENT DOCUMENTS

5,879,634 A *	3/1999	Ford	B01D 11/0203 422/527
D412,861 S *	8/1999	Bonner	D10/47
2008/0118026 A1 *	5/2008	Ainsworth	G01N 33/02 378/20
2011/0181276 A1 *	7/2011	Moskalenko	G01N 27/90 324/240

* cited by examiner

Primary Examiner — Antoine Duval Davis

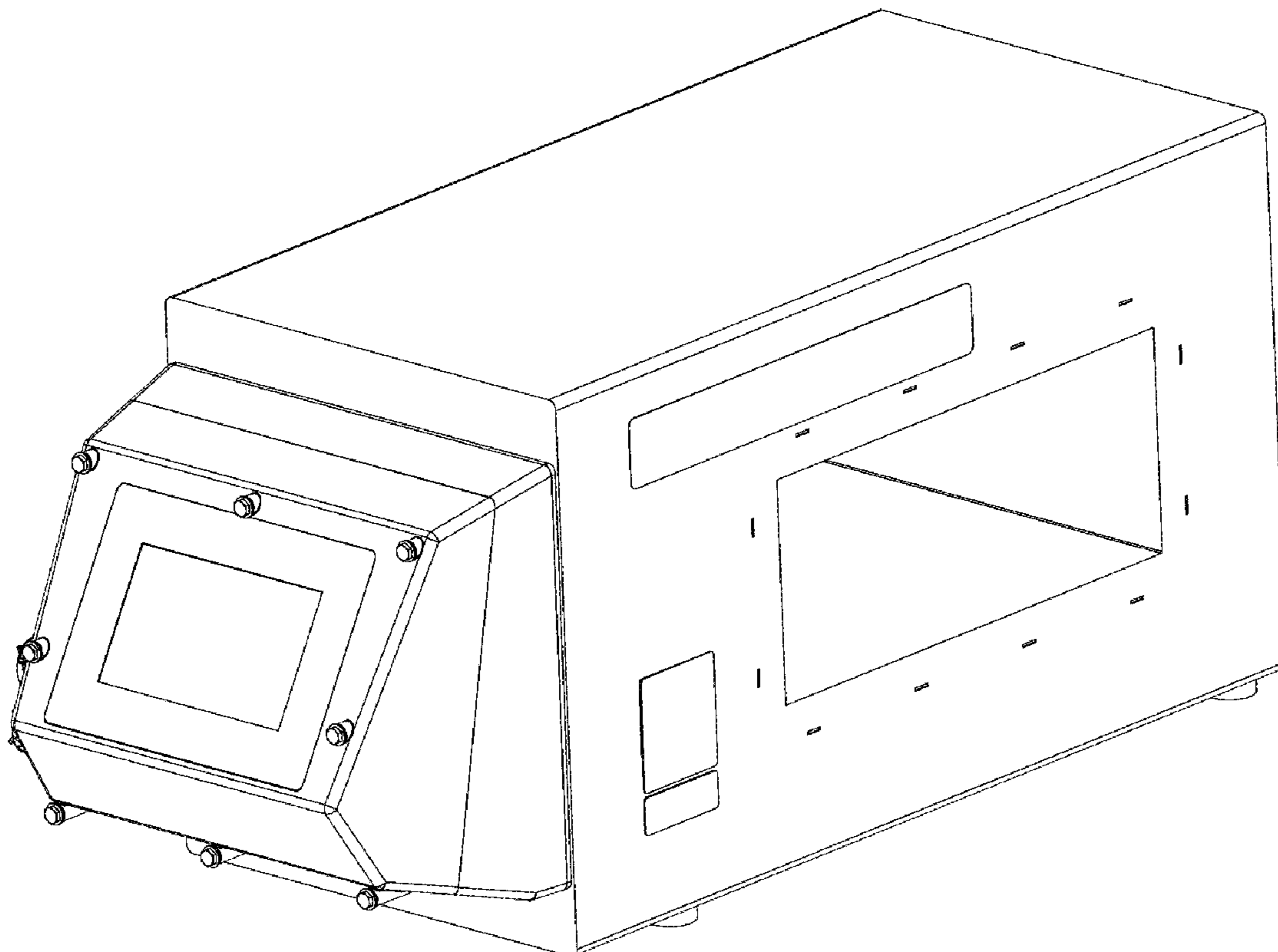
(57) **CLAIM**

The ornamental design for a process metal detection system, substantially as shown and described.

DESCRIPTION

FIG. 1 is an isometric view of a first embodiment of a process metal detection system;
FIG. 2 is a front elevation view of the first embodiment of the process metal detection system;
FIG. 3 is a back elevation view of the first embodiment of the process metal detection system;
FIG. 4 is a side elevation view of the first embodiment of the process metal detection system;
FIG. 5 is a side elevation view of the first embodiment of the process metal detection system; and,
FIG. 6 is a top elevation view of the first embodiment of the process metal detection system.

1 Claim, 6 Drawing Sheets



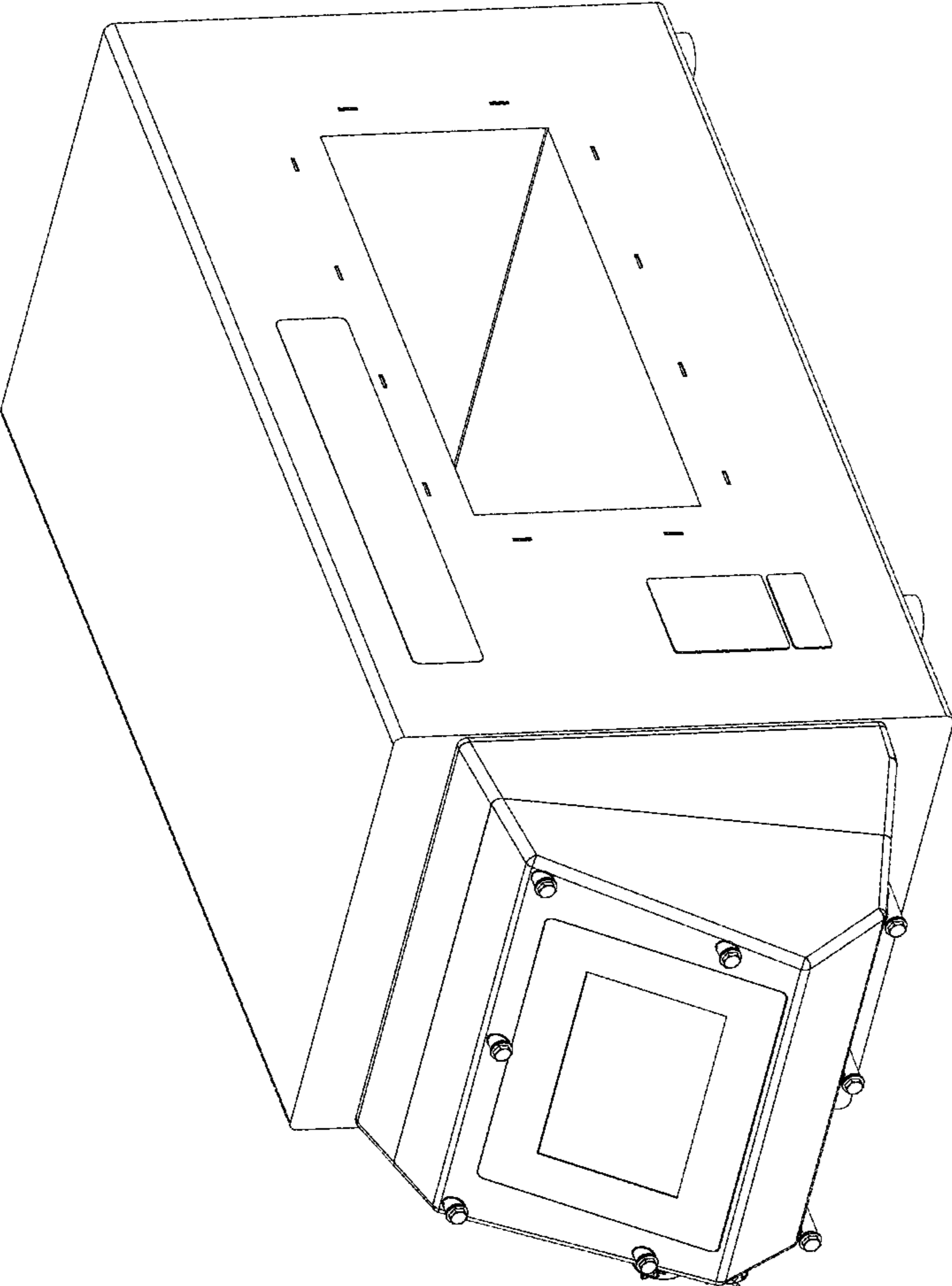


Fig. 1

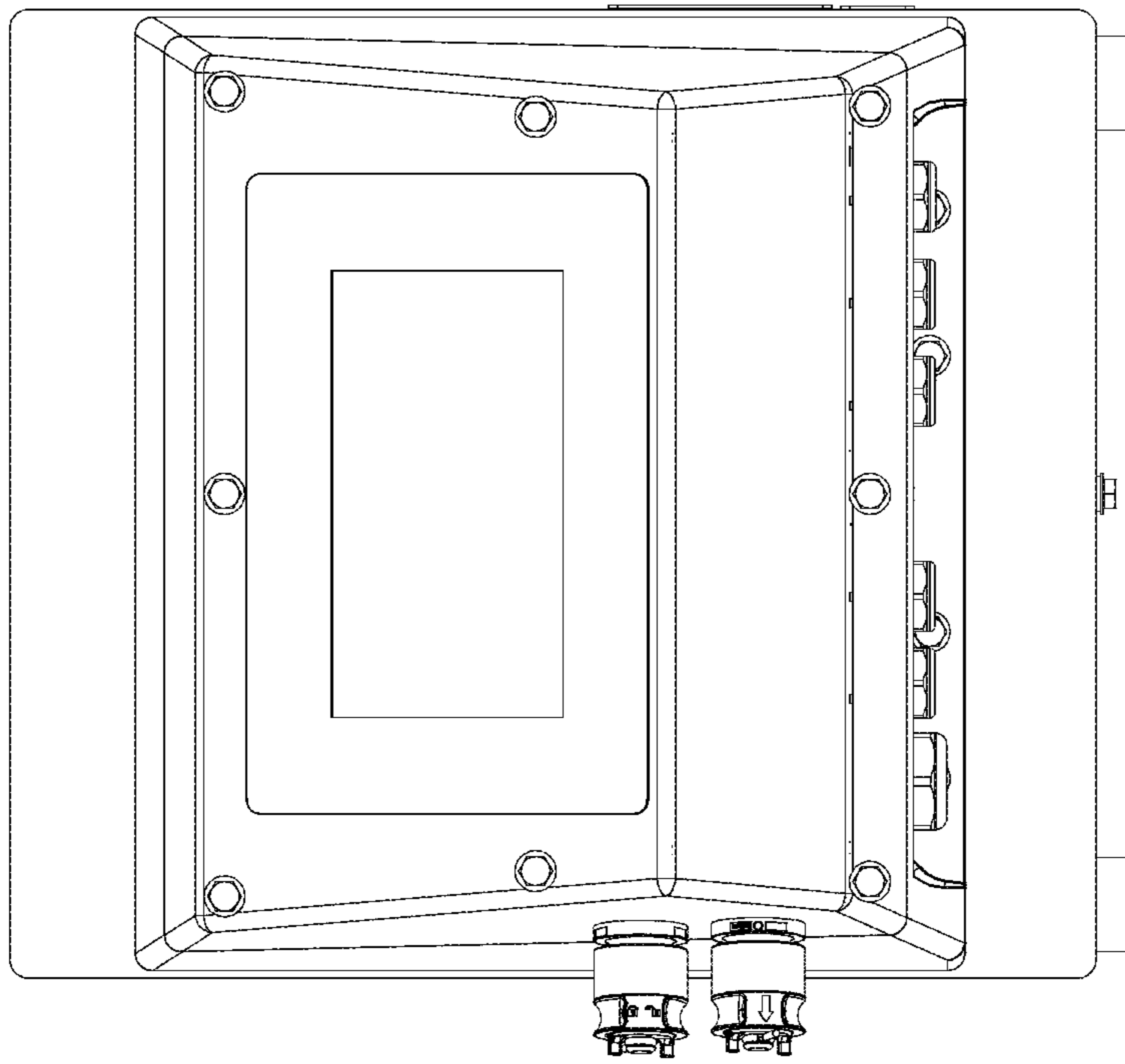


Fig. 2

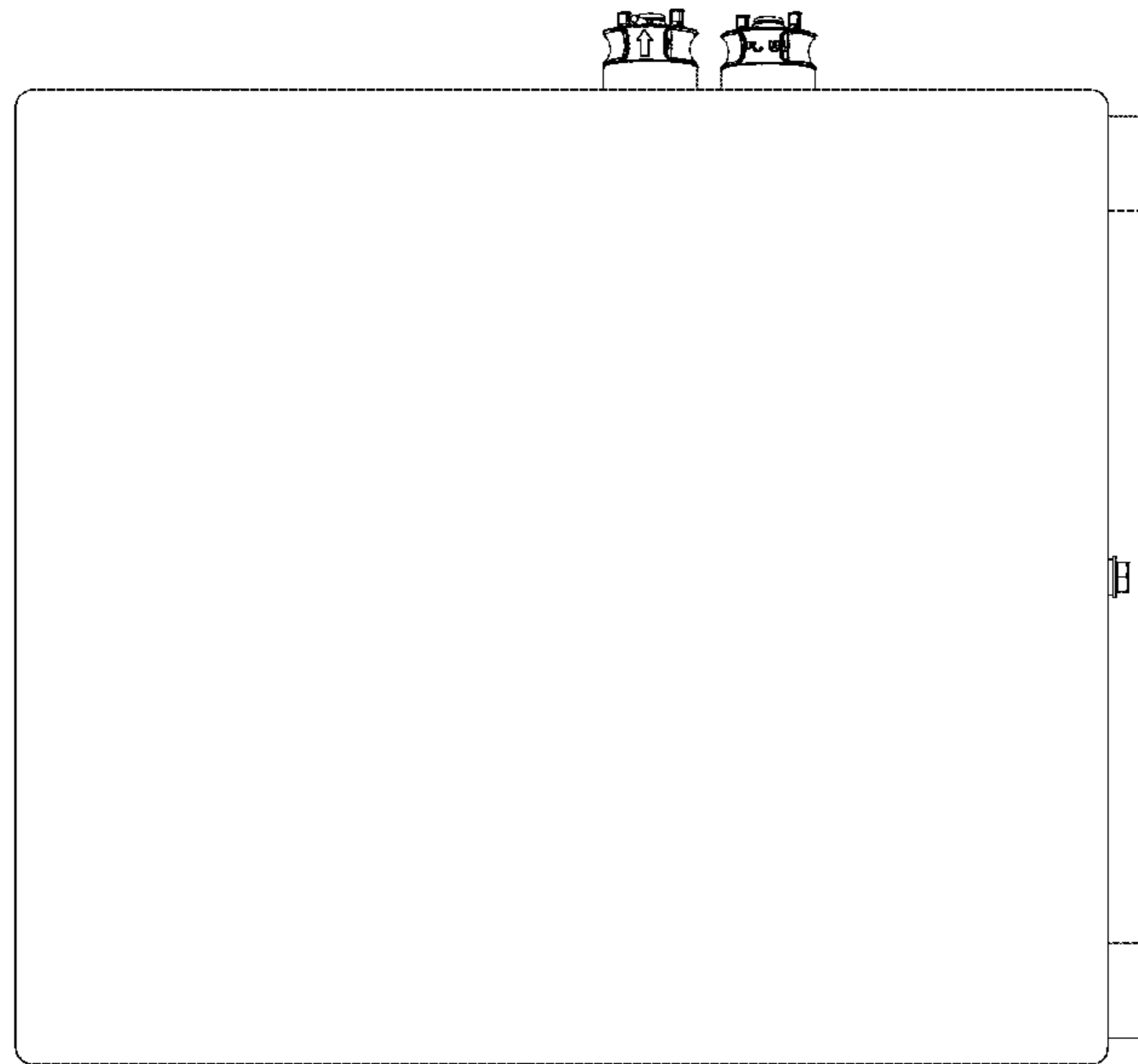


Fig. 3

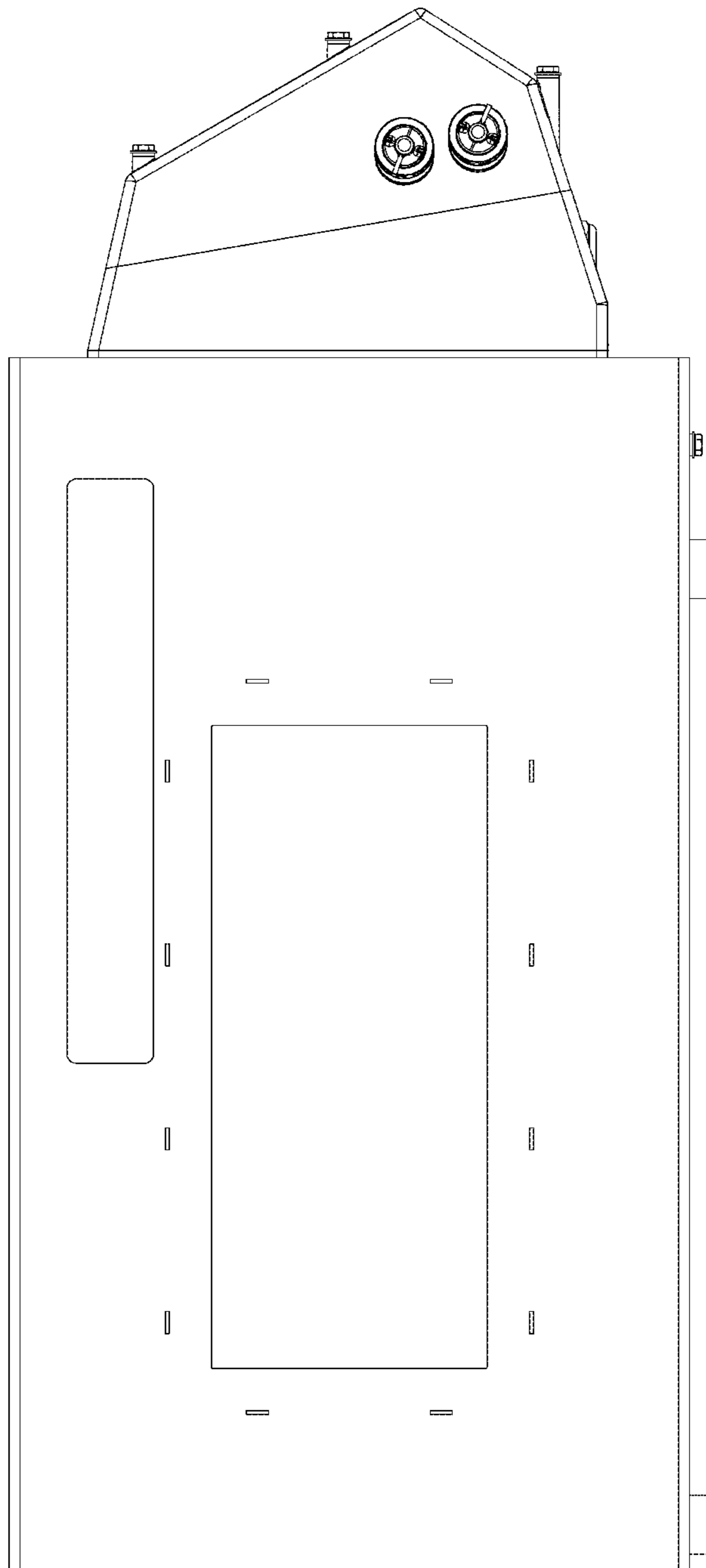


Fig. 4

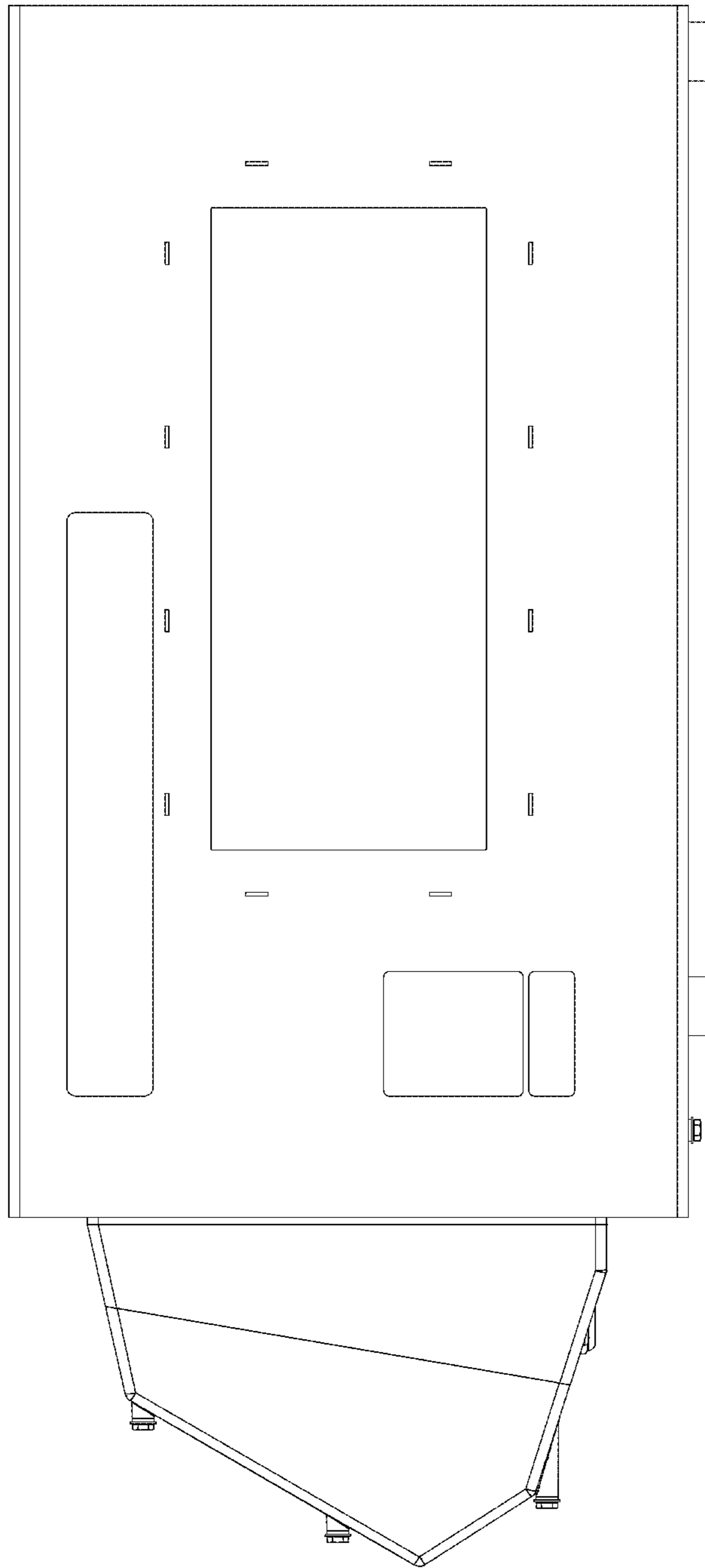


Fig. 5

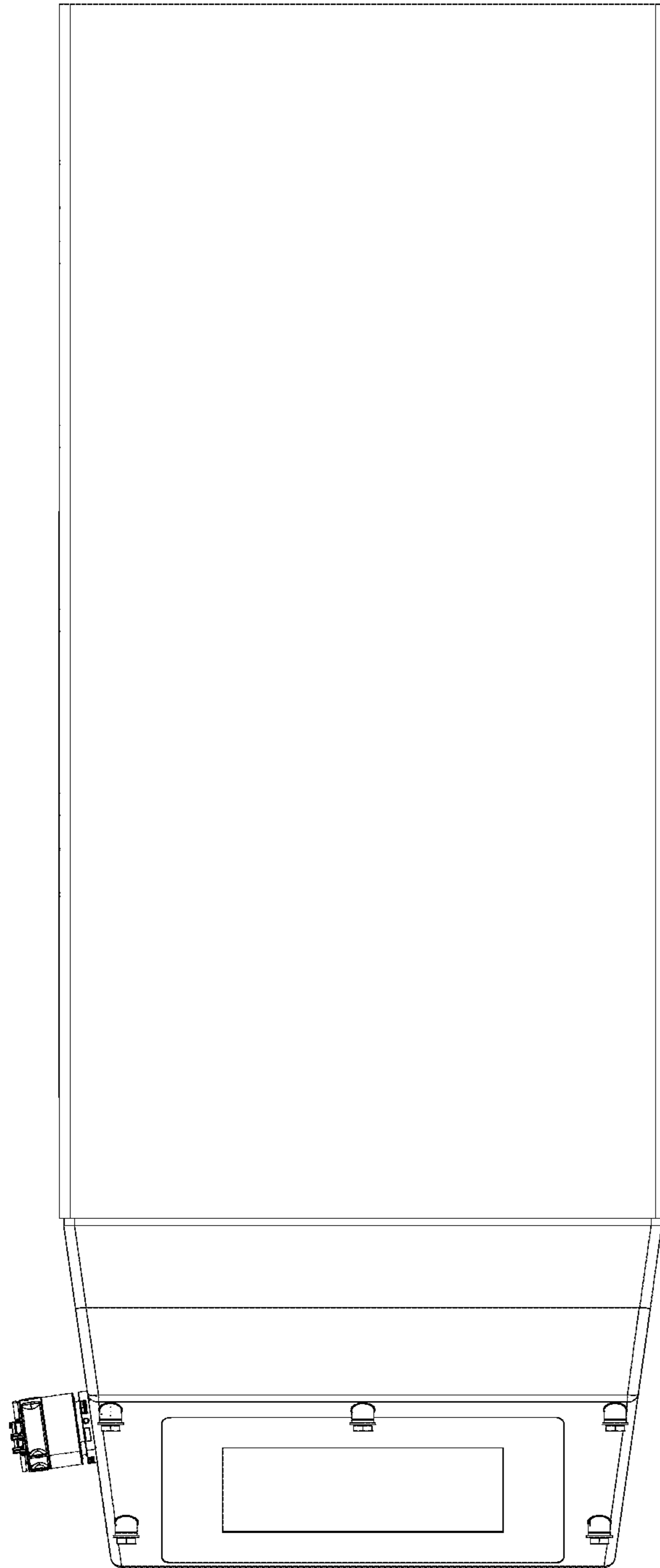


Fig. 6