



US00D948350S

(12) **United States Design Patent** (10) **Patent No.:** **US D948,350 S**  
**Selby et al.** (45) **Date of Patent:** **\*\* Apr. 12, 2022**

(54) **WATCH**

(56) **References Cited**

(71) Applicant: **Navigil Oy**, Espoo (FI)

U.S. PATENT DOCUMENTS

(72) Inventors: **Tapio Selby**, Espoo (FI); **Robin Caven**,  
Espoo (FI); **Matti Rätty**, Espoo (FI);  
**Annina Verkkomäki**, Helsinki (FI);  
**Heikki Kangasmaa**, Espoo (FI);  
**Yongkyou Lee**, Helsinki (FI); **Meri**  
**Laine**, Helsinki (FI); **Anne Taitto**,  
Helsinki (FI); **Gabriel Boicel**, Helsinki  
(FI)

D245,400	S	*	8/1977	Osawa	.....	D10/30
D477,235	S	*	7/2003	El Kadiri	.....	D10/30
D652,325	S	*	1/2012	Ahlstrom	.....	D10/38
D740,695	S	*	10/2015	Waecker	.....	D10/38
D742,260	S	*	11/2015	Park	.....	D10/70
D743,282	S	*	11/2015	Park	.....	D10/70
D764,894	S	*	8/2016	Pernu	.....	D8/349
D773,944	S	*	12/2016	Wang	.....	D10/70
D779,342	S	*	2/2017	Lintz	.....	D10/30
D799,343	S	*	10/2017	Waecker	.....	D10/30
D809,938	S	*	2/2018	Hou	.....	D10/30
D815,090	S	*	4/2018	Chan	.....	D14/344
D819,021	S	*	5/2018	Mistry	.....	D14/344
D823,302	S	*	7/2018	Yoshimoto	.....	D14/344
D823,853	S	*	7/2018	Yoshimoto	.....	D14/344
D828,834	S	*	9/2018	Zhang	.....	D14/344
D835,621	S	*	12/2018	Bang	.....	D14/344
D874,300	S	*	2/2020	Xie	.....	D10/38
D912,542	S	*	3/2021	Moilanen	.....	D10/38
2017/0265767	A1	*	9/2017	Pernu	.....	A61B 5/274
2018/0048341	A1	*	2/2018	Shin	.....	G04G 19/10
2018/0173166	A1	*	6/2018	Kayano	.....	G04B 37/088

(73) Assignee: **NAVIGIL OY**, Espoo (FI)

(\*\*) Term: **15 Years**

(21) Appl. No.: **29/723,511**

(22) Filed: **Feb. 7, 2020**

(30) **Foreign Application Priority Data**

Jun. 10, 2019	(EM)	.....	006574596-0001
Jun. 10, 2019	(EM)	.....	006574596-0002
Jun. 10, 2019	(EM)	.....	006574596-0003
Jun. 10, 2019	(EM)	.....	006574596-0004
Jun. 10, 2019	(EM)	.....	006574596-0005

\* cited by examiner

*Primary Examiner* — Katherine Glennon

(74) *Attorney, Agent, or Firm* — Nixon & Vanderhye PC

(51) **LOC (13) Cl.** ..... **10-02**

(52) **U.S. Cl.**  
USPC ..... **D10/39**; D14/344

(57) **CLAIM**

The ornamental design for a watch, as shown and described.

(58) **Field of Classification Search**  
USPC ..... D10/30-39, 65, 70, 97, 98, 122, 132,  
D10/104.2, 106.94, 106.5; D14/250, 344,  
D14/440; D24/167, 168, 186  
CPC ..... G04B 37/005; G04B 37/0058; G04B  
37/0084; G04B 37/087; G04B 37/12;  
G06F 1/163; A61B 5/681

**DESCRIPTION**

The patent or application file contains at least one drawing executed in color. Copies of this patent or patent application publication with color drawing(s) will be provided by the Office upon request and payment of the necessary fee.  
FIG. 1 is a front-bottom perspective view of a first embodiment of a watch in accordance with our new design;  
FIG. 2 is a rear-top perspective view thereof;  
FIG. 3 is a front view thereof;  
FIG. 4 is a rear view thereof;  
FIG. 5 is a left side view thereof;

See application file for complete search history.

(Continued)

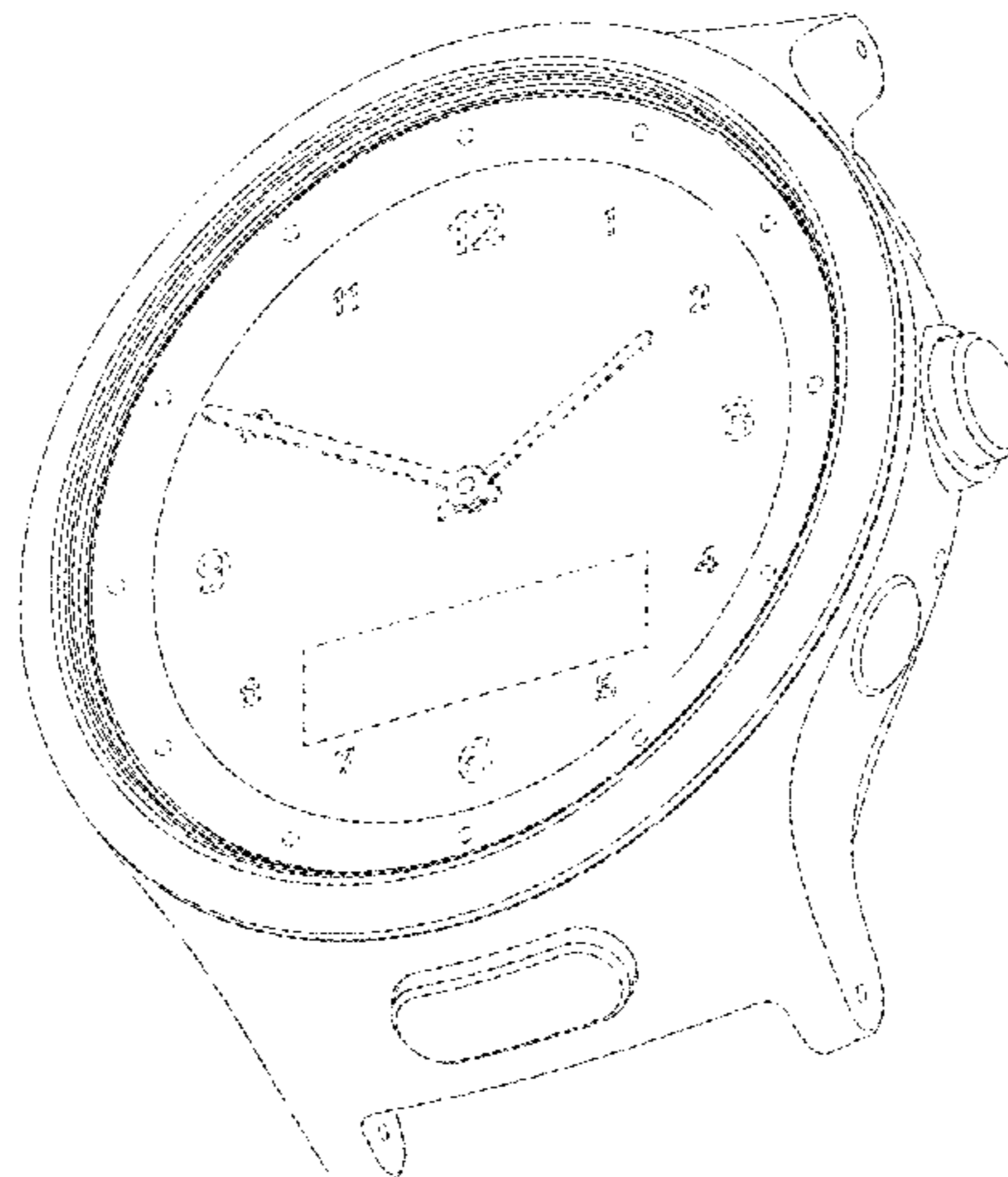


FIG. 6 is a right view thereof;  
FIG. 7 is a top view thereof;  
FIG. 8 is a bottom view thereof;  
FIG. 9 is a front-top perspective view thereof;  
FIG. 10 is a front-bottom perspective view of a second embodiment of a watch in accordance with our new design;  
FIG. 11 is a rear-top perspective view thereof;  
FIG. 12 is a front view thereof;  
FIG. 13 is a rear view thereof;  
FIG. 14 is a left view thereof;  
FIG. 15 is a right view thereof;  
FIG. 16 is a top view thereof;  
FIG. 17 is a bottom view thereof;  
FIG. 18 is a front-top perspective view thereof;  
FIG. 19 is a front-bottom perspective view of a third embodiment of a watch in accordance with our new design;  
FIG. 20 is a rear-top perspective view thereof;  
FIG. 21 is a front view thereof;  
FIG. 22 is a rear view thereof;  
FIG. 23 is a left view thereof;

FIG. 24 is a right view thereof;  
FIG. 25 is a top view thereof;  
FIG. 26 is a bottom view thereof;  
FIG. 27 is a front-top perspective view thereof;  
FIG. 28 is a front-bottom perspective view of a fourth embodiment of a watch in accordance with our new design;  
FIG. 29 is a rear-top perspective view thereof;  
FIG. 30 is a front view thereof;  
FIG. 31 is a rear view thereof;  
FIG. 32 is a left view thereof;  
FIG. 33 is a right view thereof;  
FIG. 34 is a top view thereof;  
FIG. 35 is a bottom view thereof; and,  
FIG. 36 is a front-top perspective view thereof.  
The broken lines show portions of the watch that form no part of the claim designed.

**1 Claim, 36 Drawing Sheets  
(9 of 36 Drawing Sheet(s) Filed in Color)**

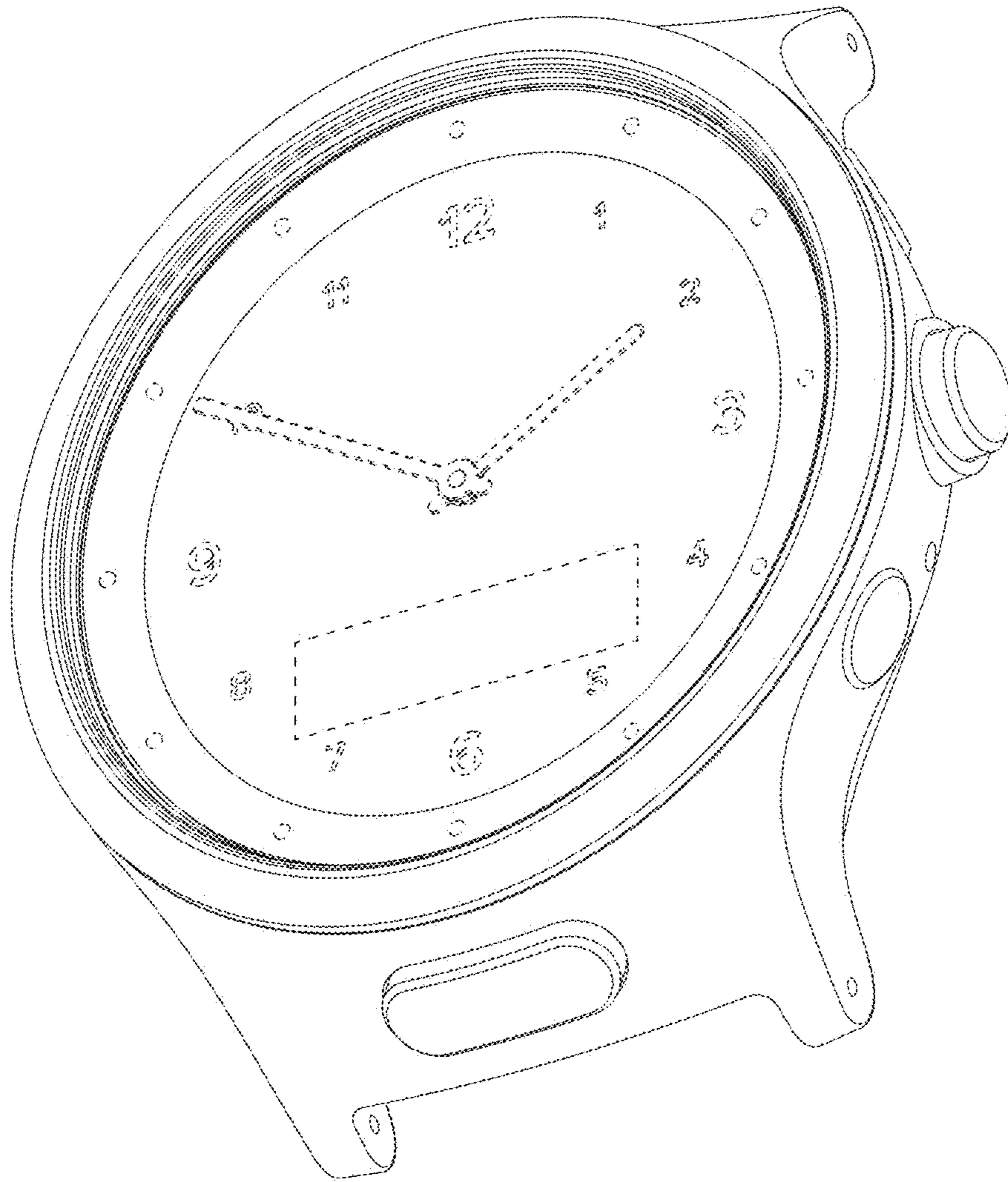


FIG. 1

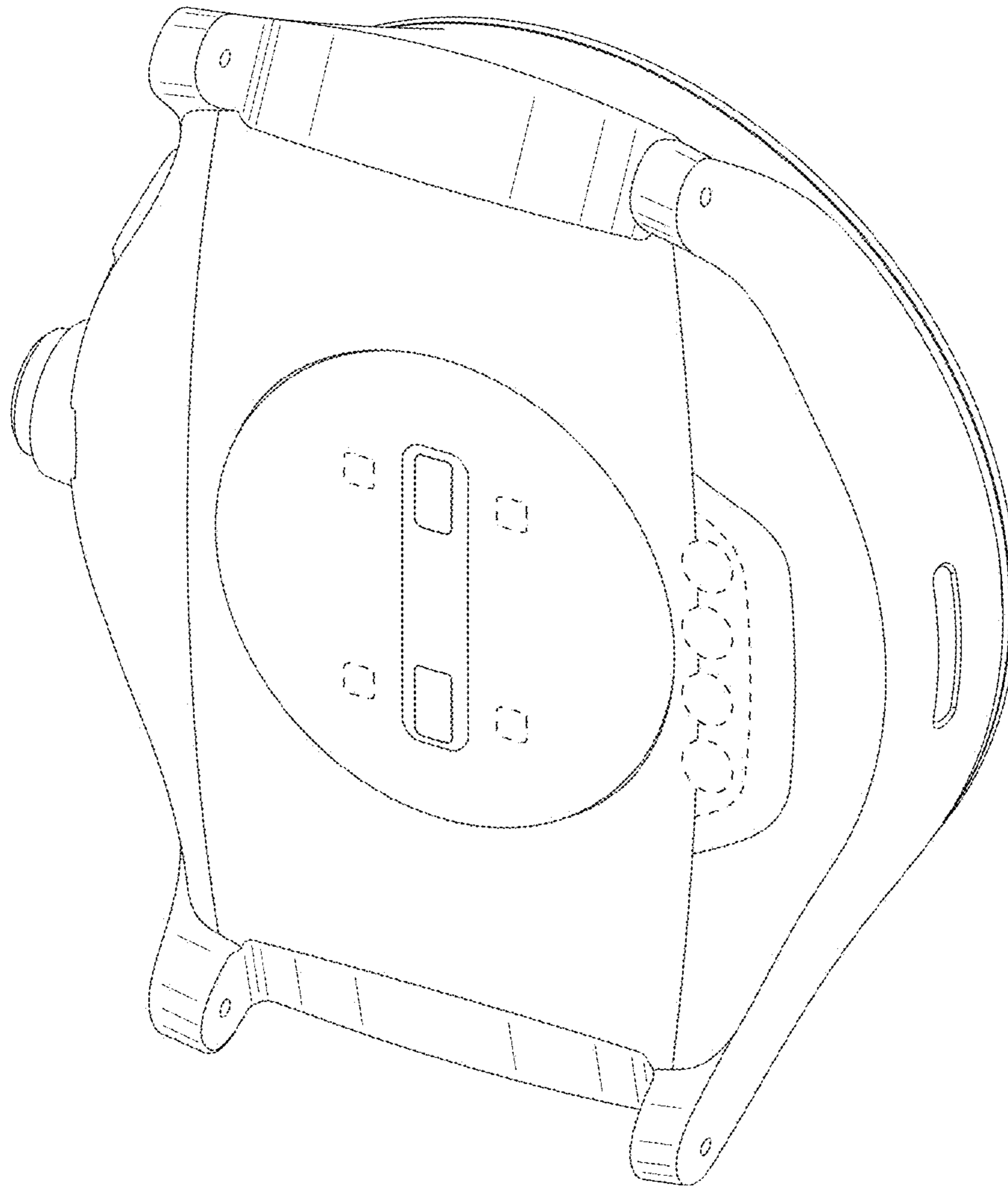


FIG. 2



FIG. 3

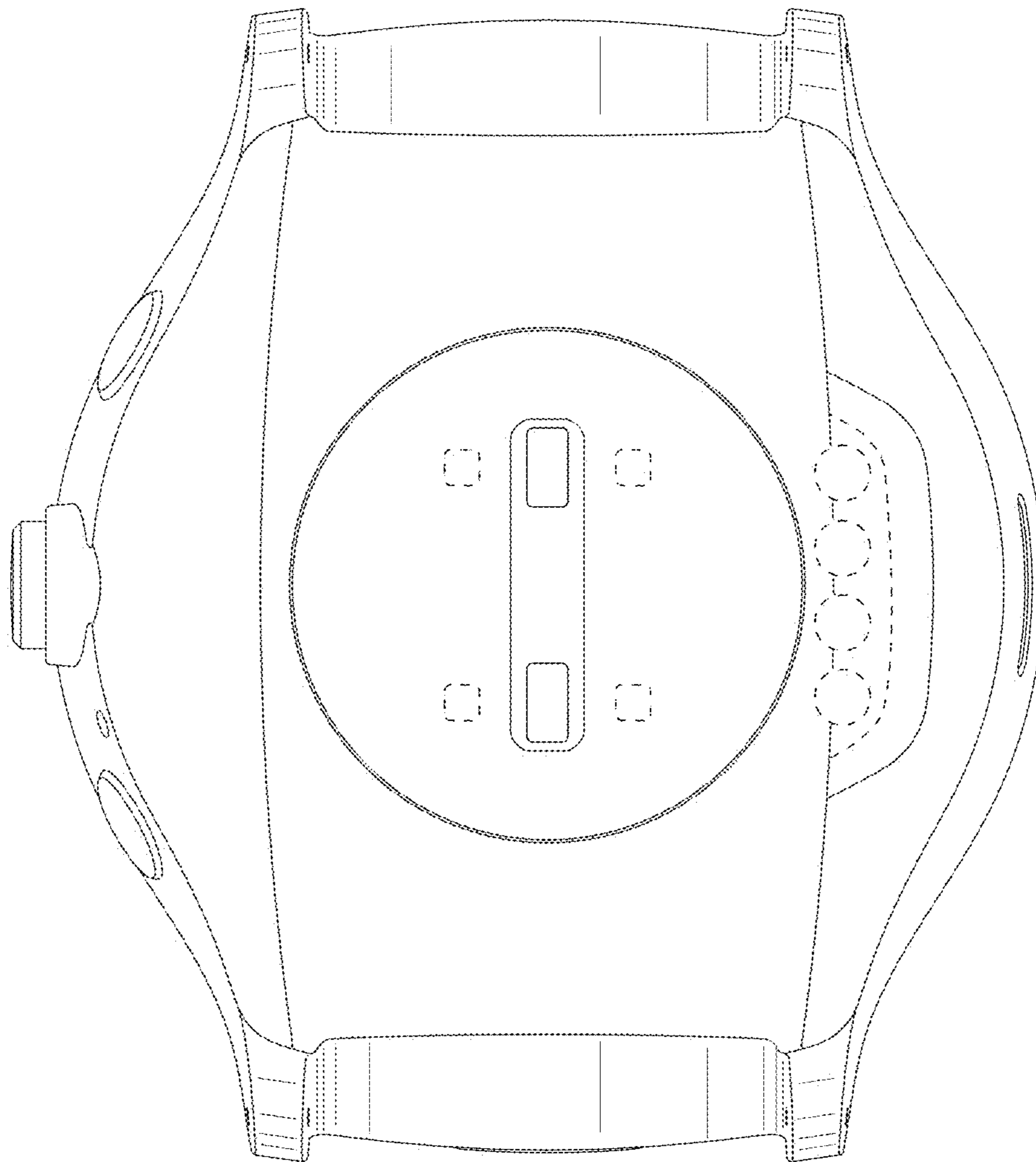


FIG. 4

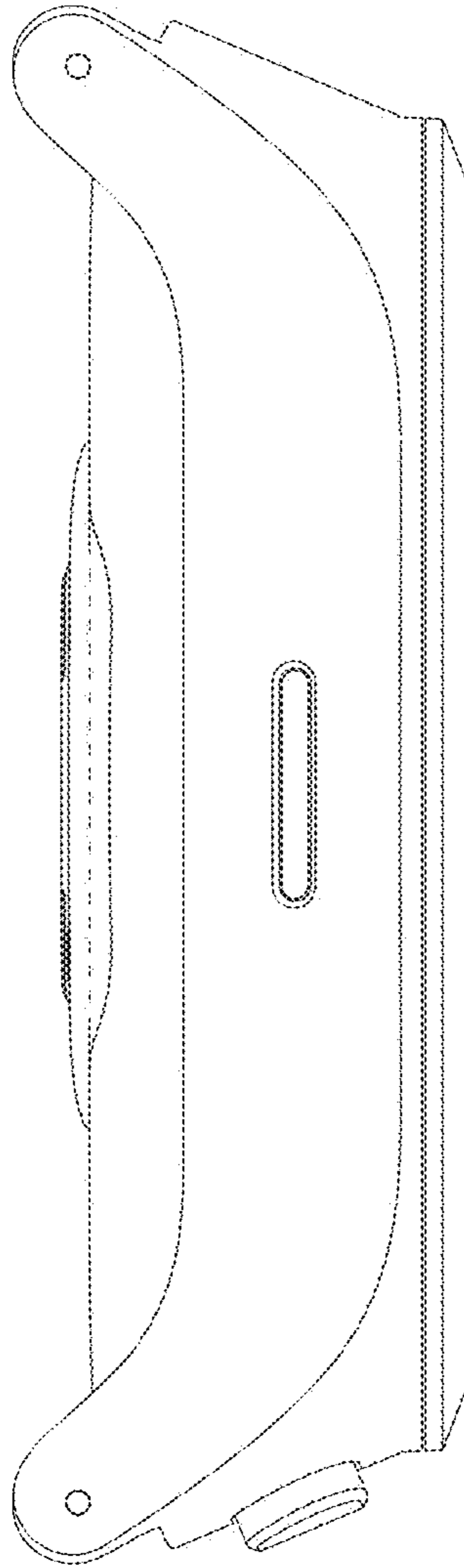


FIG. 5

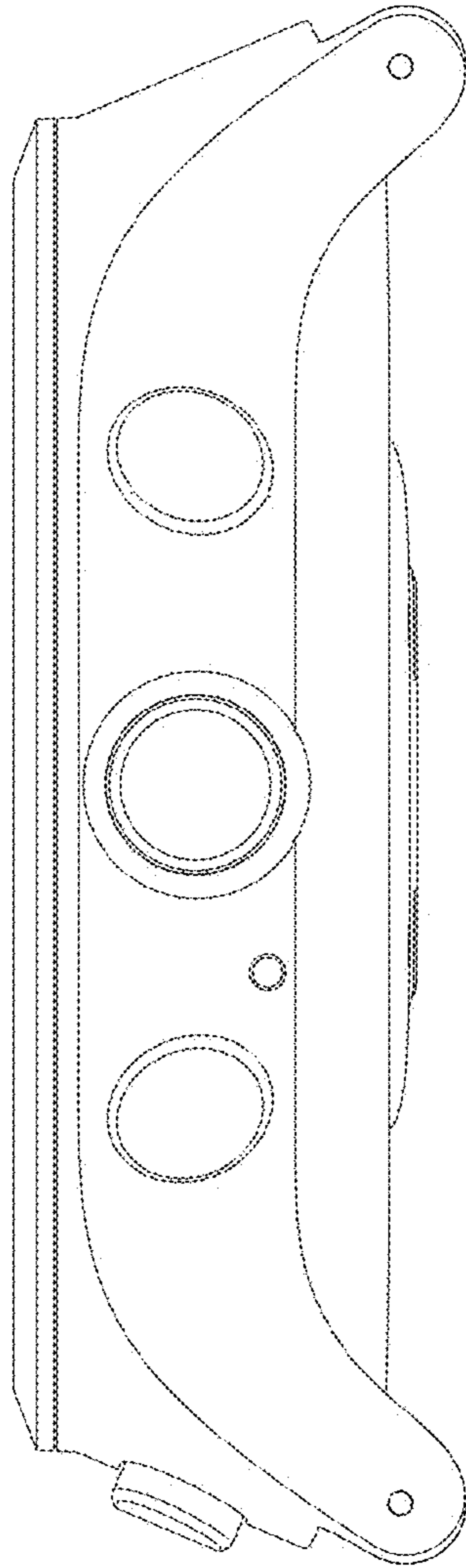


FIG. 6



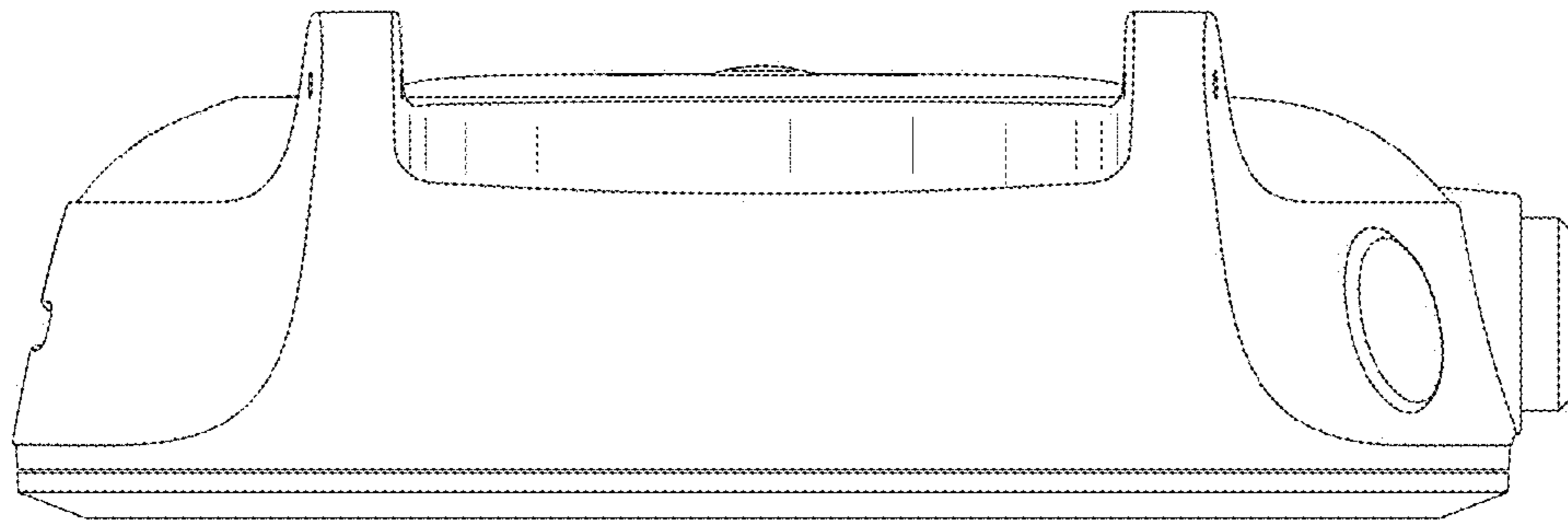


FIG. 7

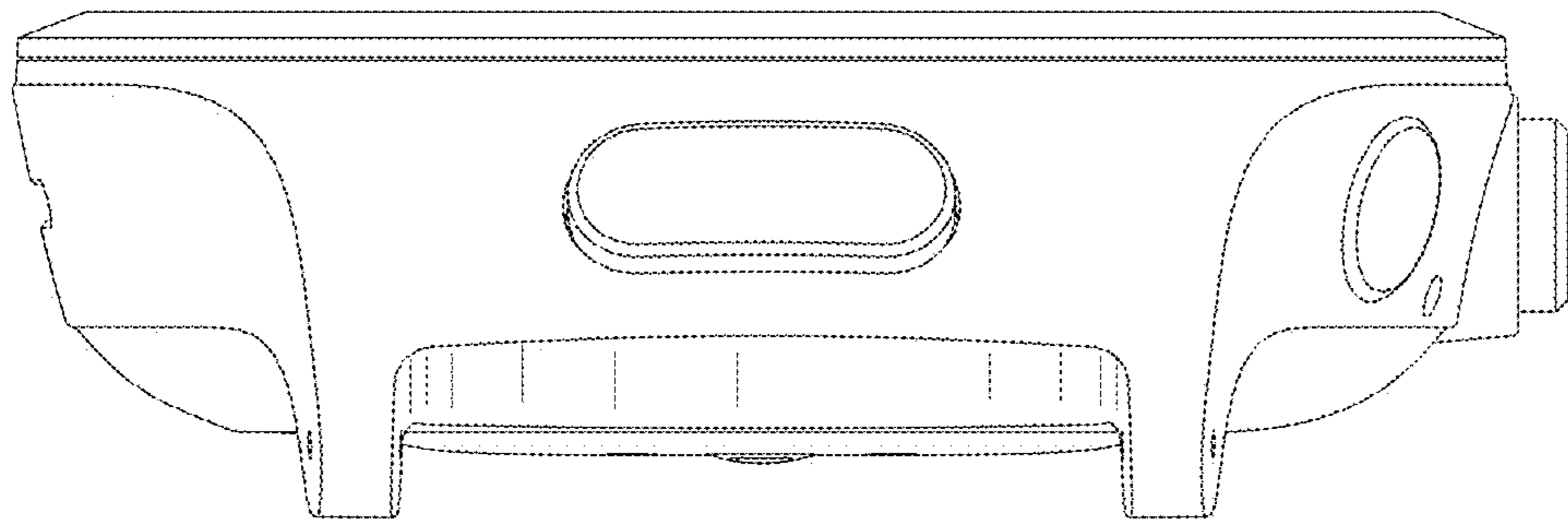


FIG. 8

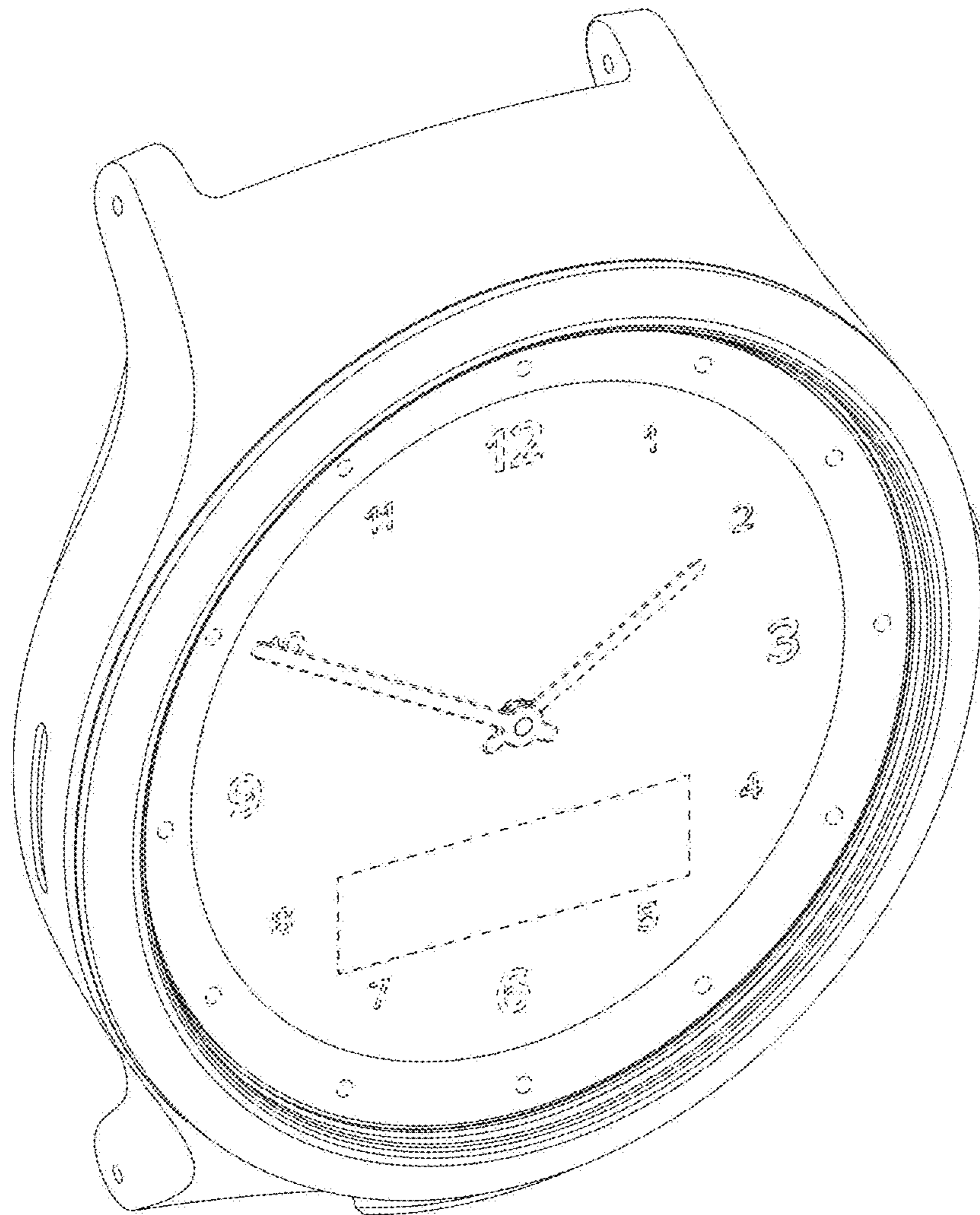


FIG. 9



FIG. 10



FIG. 11



FIG. 12



FIG. 13

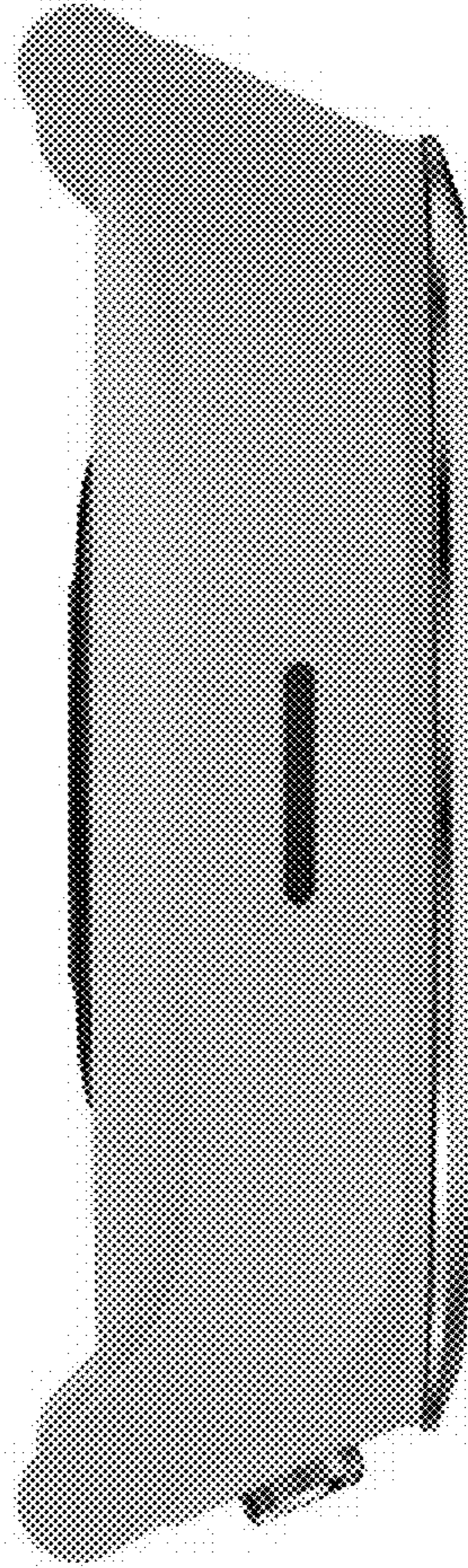


FIG. 14



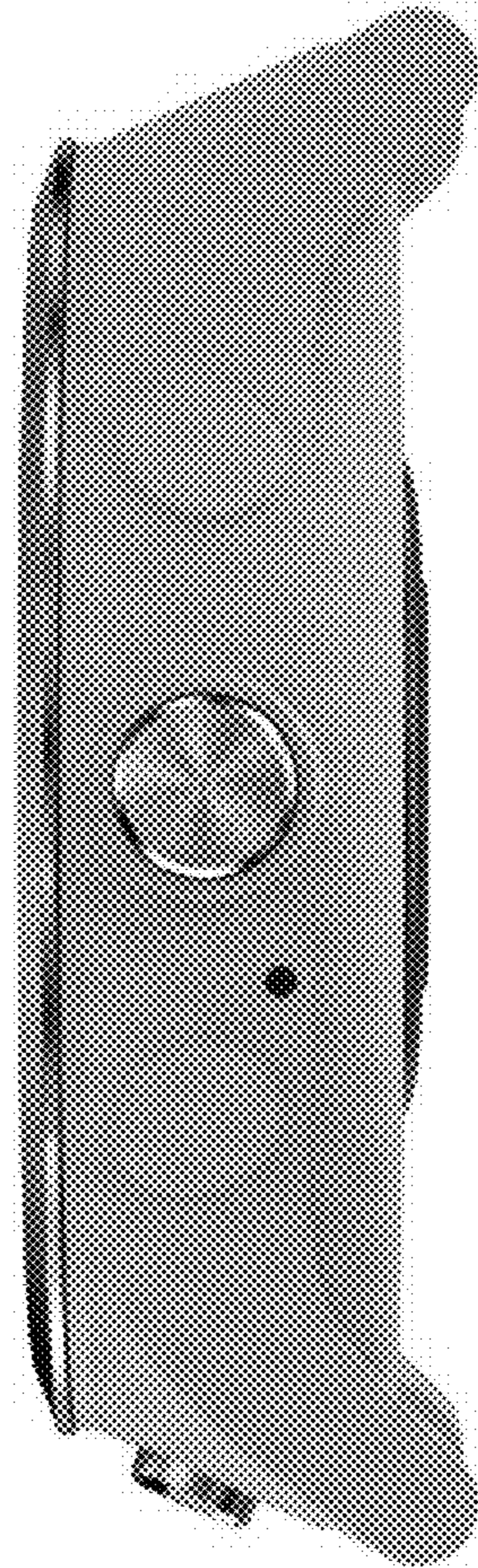


FIG. 15

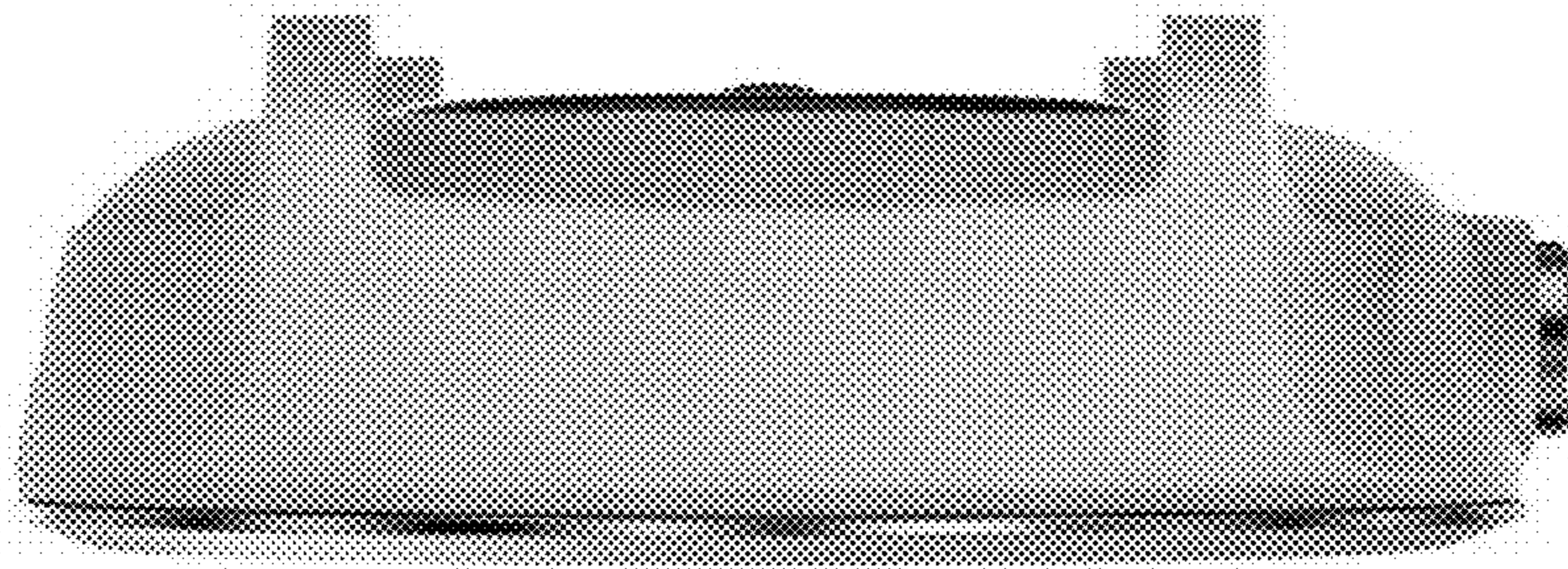


FIG. 16

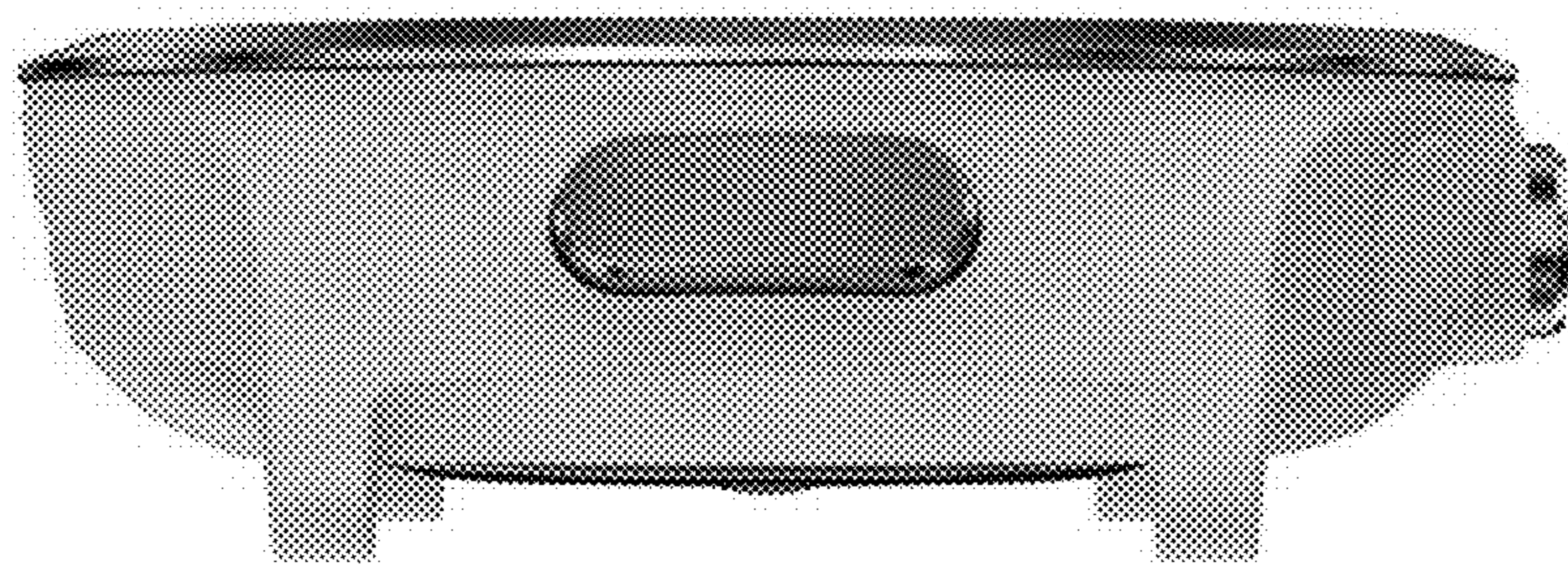


FIG. 17



FIG. 18



FIG. 19



FIG. 20



FIG. 21



FIG. 22



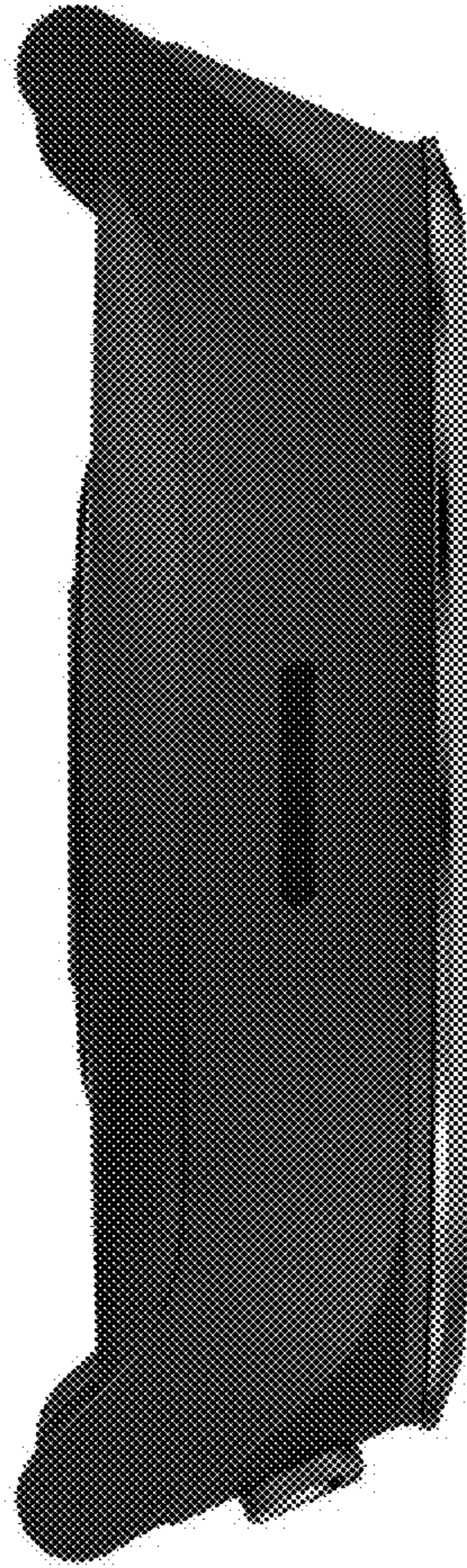


FIG. 23

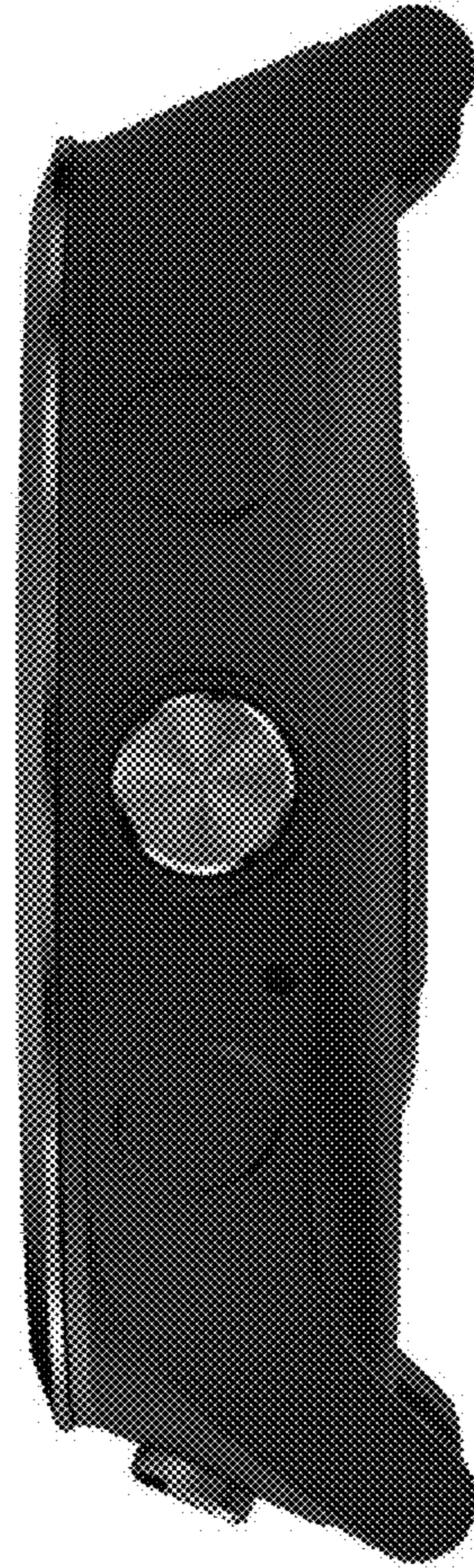


FIG. 24

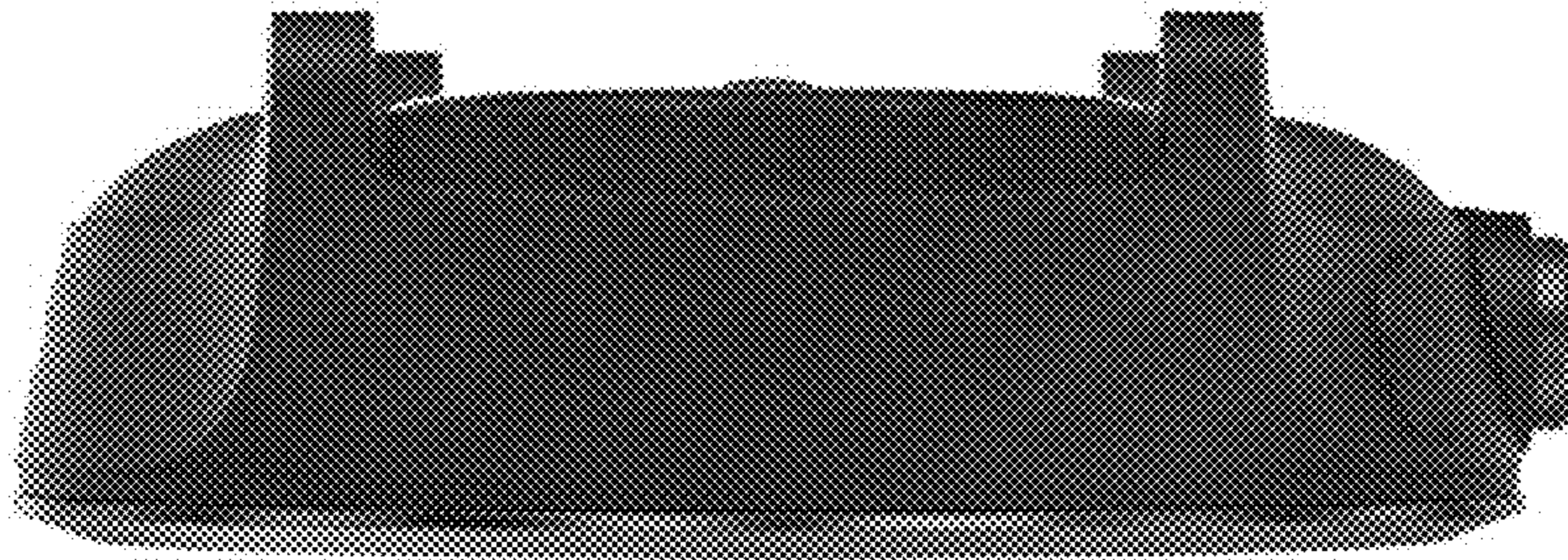


FIG. 25

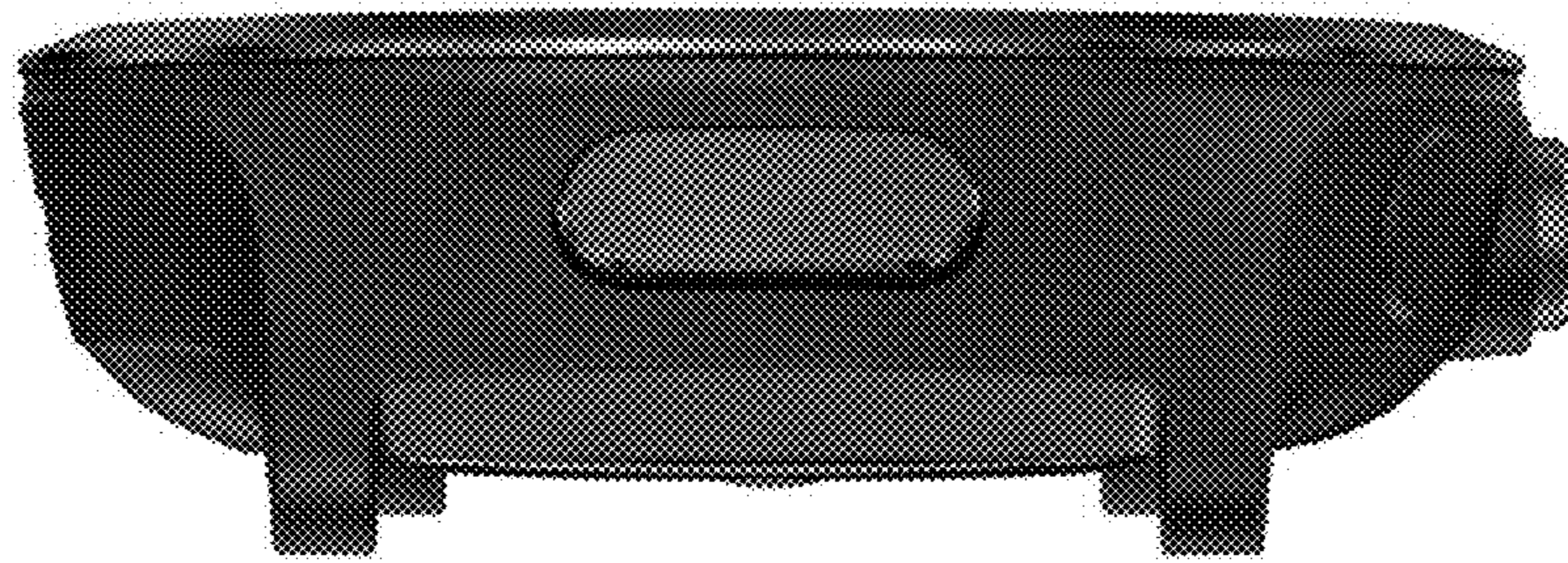


FIG. 26



FIG. 27



FIG. 28



FIG. 29



FIG. 30





FIG. 31

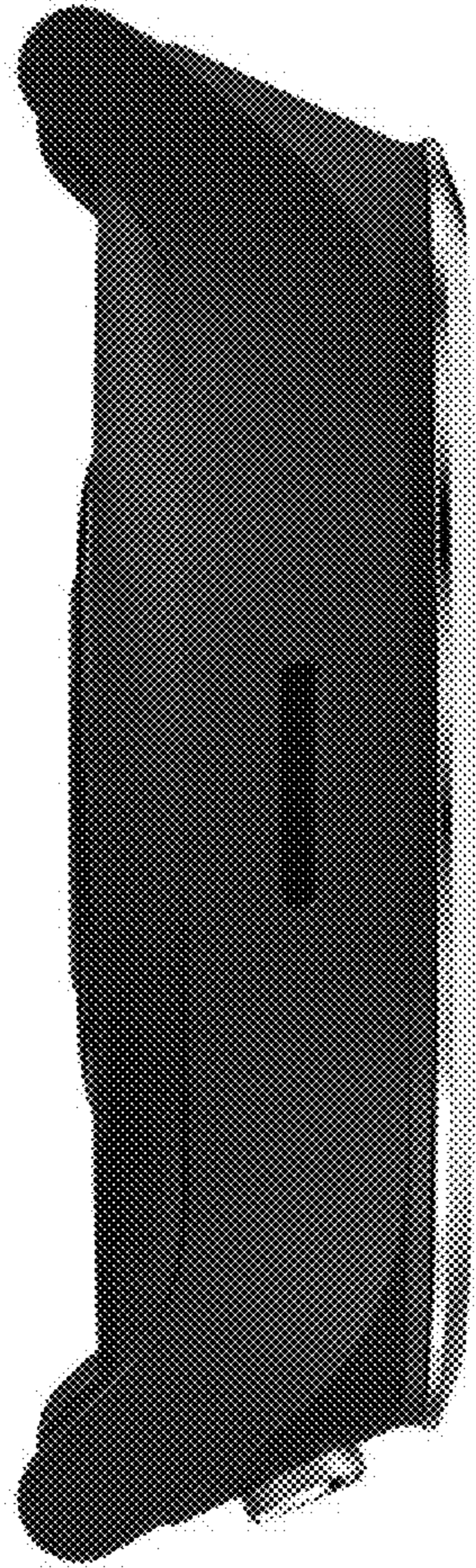


FIG. 32

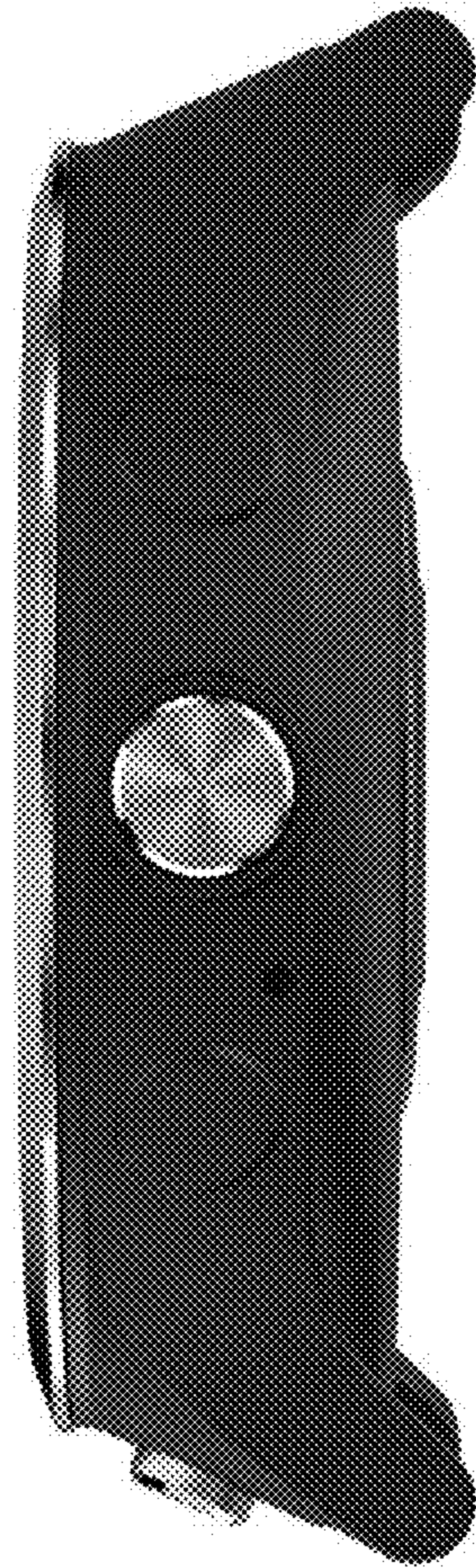


FIG. 33

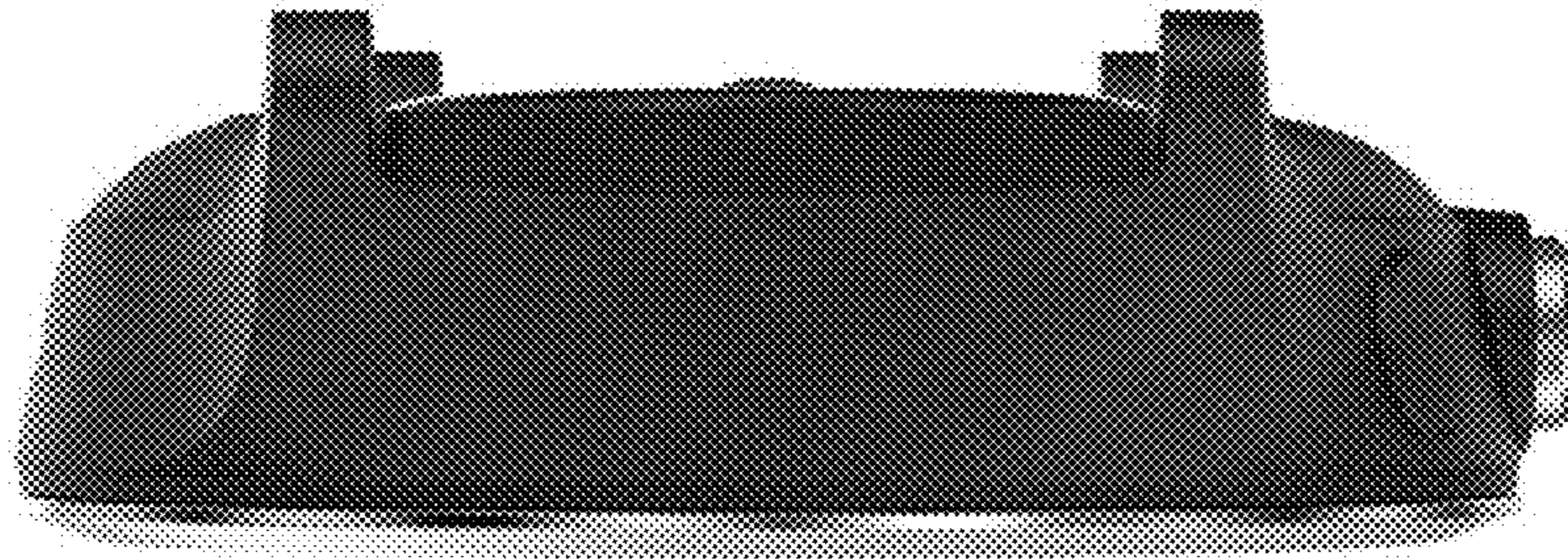


FIG. 34

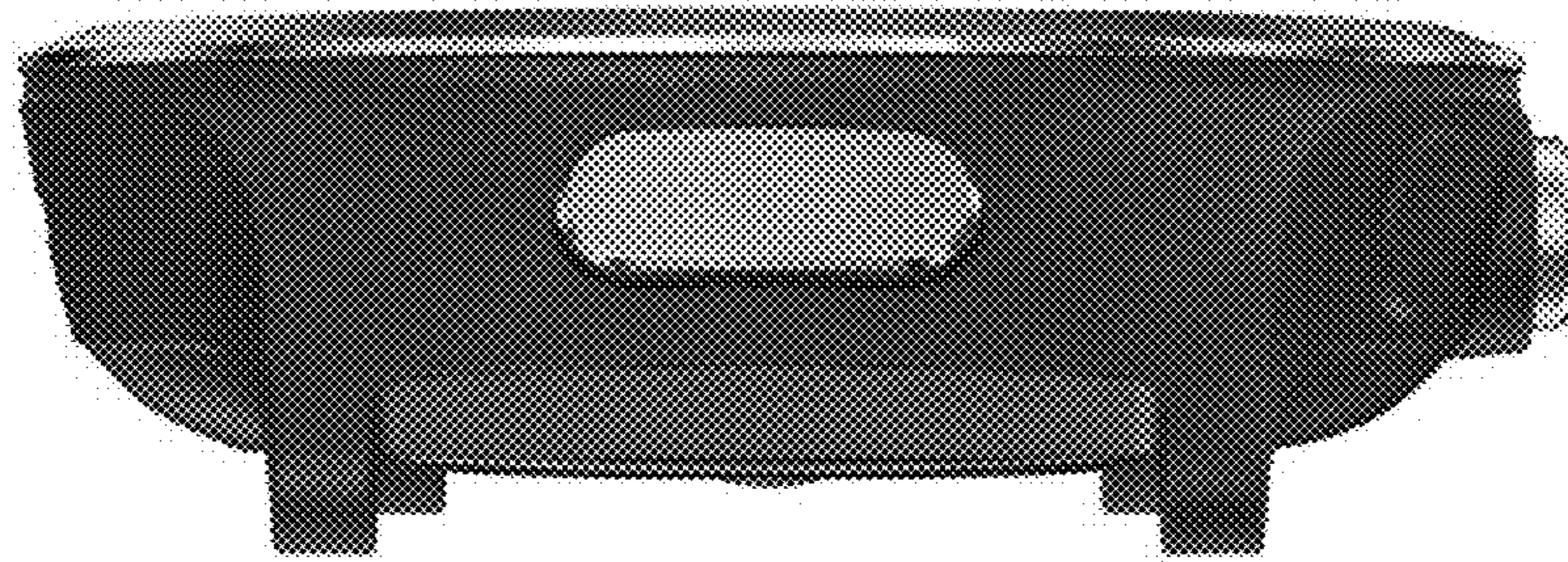


FIG. 35



FIG. 36