

US00D948344S

(12) **United States Design Patent**
Maclam et al.

(10) **Patent No.:** **US D948,344 S**

(45) **Date of Patent:** **** *Apr. 12, 2022**

(54) **BOTTLE**

(71) Applicant: **The Procter & Gamble Company,**
Cincinnati, OH (US)

(72) Inventors: **Dennis Lee Maclam,** Mason, OH (US);
Leigh Mahoney, Hamilton, OH (US);
Richard Michael Girardot, West
Chester, OH (US); **Luis Peraza,** New
Albany, OH (US)

(73) Assignee: **The Procter & Gamble Company,**
Cincinnati, OH (US)

(*) Notice: This patent is subject to a terminal disclaimer.

(**) Term: **15 Years**

(21) Appl. No.: **29/795,526**

(22) Filed: **Jun. 18, 2021**

Related U.S. Application Data

(62) Division of application No. 29/676,155, filed on Jan. 9, 2019, now Pat. No. Des. 925,371.

(51) **LOC (13) Cl.** **09-01**

(52) **U.S. Cl.**
USPC **D9/574; D9/558; D9/716**

(58) **Field of Classification Search**
USPC D9/522, 523, 542, 432, 516, 573, 530,
D9/549, 550, 551, 558, 686-694, 435,
D9/503, 504, 509, 529, 570, 682-685,
D9/716, 560, 563, 574

CPC . B65D 1/0223; B65D 2501/0081; B65D 1/02
See application file for complete search history.

(56) **References Cited**

U.S. PATENT DOCUMENTS

D104,881 S 6/1937 Rosengart
3,519,157 A 7/1970 Meierhoefer

D254,839 S 4/1980 Pardo
D256,993 S 9/1980 Strand
D258,045 S 1/1981 Collins
D260,367 S 8/1981 Grip
D260,610 S 9/1981 Grip
D274,981 S 8/1984 Hoyt
D292,773 S 11/1987 Carlson
D345,921 S 4/1994 Meisner
D372,873 S 8/1996 Gonda
D374,613 S 10/1996 Maxwell
D381,916 S 8/1997 Mehl
D392,897 S 3/1998 Biesecker
D411,100 S 6/1999 Torres
D411,199 S 6/1999 Park
D442,868 S 5/2001 Gavin

(Continued)

OTHER PUBLICATIONS

U.S. Appl. No. 29/795,531, filed Jun. 18, 2021, Dennis Lee Maclam et al.

(Continued)

Primary Examiner — Brett Miller

Assistant Examiner — Rani J Abdallah

(74) *Attorney, Agent, or Firm* — Jason Jeffrey Camp

(57) **CLAIM**

The ornamental design for a bottle, as shown and described.

DESCRIPTION

FIG. 1 is a perspective view of a bottle embodying our new design;

FIG. 2 is a front view thereof;

FIG. 3 is a left side view thereof;

FIG. 4 is a back view thereof;

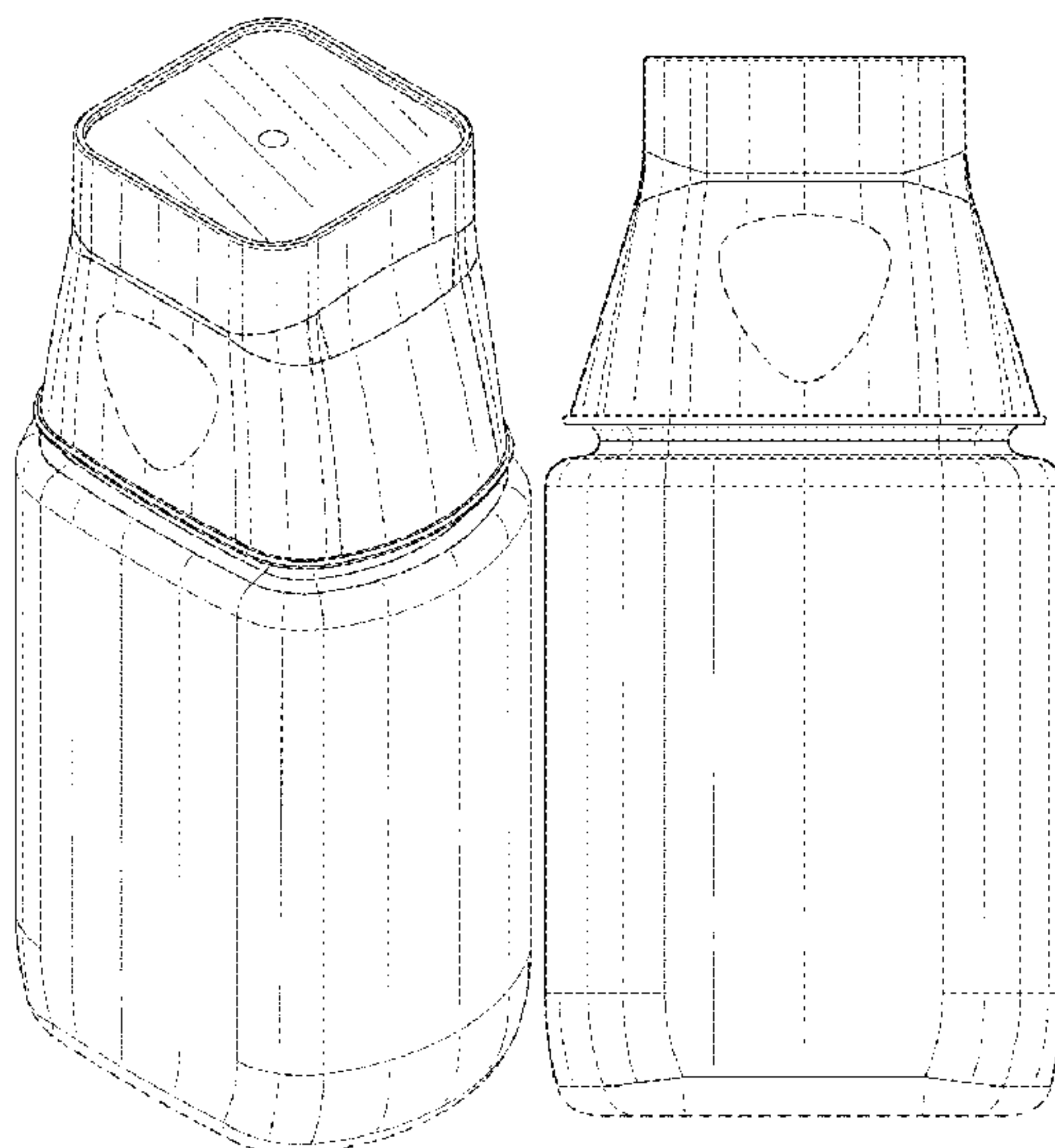
FIG. 5 is a right side view thereof;

FIG. 6 is a top view thereof; and,

FIG. 7 is a bottom view thereof.

The broken lines are shown for the purpose of illustrating parts of the bottle that form no part of the claimed design.

1 Claim, 3 Drawing Sheets



(56)

References Cited

U.S. PATENT DOCUMENTS

D490,322 S 5/2004 Giovanni
 D490,323 S 5/2004 Giovanni
 D554,518 S 11/2007 Cornet
 D562,151 S 2/2008 Larocca
 D584,961 S 1/2009 Yakoby
 D607,728 S 1/2010 Berger
 D607,729 S 1/2010 Berger
 D611,346 S 3/2010 Camomile
 D618,114 S 6/2010 Lee
 D622,101 S 8/2010 Tune
 D632,581 S 2/2011 Kuzma
 D634,641 S 3/2011 Berger
 D667,300 S 9/2012 Davis
 D712,746 S 9/2014 Widdison
 D758,877 S 6/2016 Vaughn-Batiz
 D778,164 S 2/2017 Vaughn-Batiz
 D807,195 S 1/2018 Richmond
 D811,894 S 3/2018 Frias
 D820,104 S 6/2018 Miller et al.
 D833,879 S 11/2018 Staab
 D836,459 S 12/2018 Thuesen
 D837,060 S 1/2019 Riedel
 D839,742 S 2/2019 Phillips
 D853,035 S 7/2019 Moretti
 D899,261 S 10/2020 Madam et al.
 D925,371 S 7/2021 Madam et al.

D925,372 S 7/2021 Madam et al.
 D925,373 S 7/2021 Madam et al.
 2010/0006606 A1 1/2010 Lee

OTHER PUBLICATIONS

All Office Actions, U.S. Appl. No. 29/676,156.
 All Office Actions, U.S. Appl. No. 29/676,158.
 All Office Actions, U.S. Appl. No. 29/749,939.
 All Office Actions, U.S. Appl. No. 29/676,155.
 All Office Actions; U.S. Appl. No. 29/795,531.
 Business Wire, "Vicks Children's Cough and Congestion Product Lineup" Retrieved from [https://www.businesswire.com/news/home/20191016005701/en/Cold-Flu-Season-Vicks%C2%AE-Introduces-NewOptions\(Year:%202019\)](https://www.businesswire.com/news/home/20191016005701/en/Cold-Flu-Season-Vicks%C2%AE-Introduces-NewOptions(Year:%202019)), dated Oct. 16, 2019, 1 page.
 Consumer Affairs, "FDA wants to change how Imodium is packaged" Retrieved from <https://www.consumeraffairs.com/news/fda-wants-to-change-how-imodium-is-packaged-013118.html> (Year: 2018), dated Jan. 31, 2018, 1 page.
 Mintel, "Berry Flavored Daytime Severe Cold & Cough Pain Reliever" Retrieved from https://www.gnpd.com/sinatra/recordpage/3541125/from_search/n119j0JnUy/?page=1. ID 3541125, dated Feb. 2016, 2 pages.
 Mucinex, "Congestion and Cough Liquid", MUCINEX Fast-Max Severe, Retrieved from [https://www.amazon.com/Mucinex-Fast-Max-Severe-Congestion-Liquid/dp/B0057UUGWA/ref=psdc_3761171_t1%20_B0057UUGSO?th=1#customerReviews\(Year:%202018\)](https://www.amazon.com/Mucinex-Fast-Max-Severe-Congestion-Liquid/dp/B0057UUGWA/ref=psdc_3761171_t1%20_B0057UUGSO?th=1#customerReviews(Year:%202018)) dated 2018, 1 page.

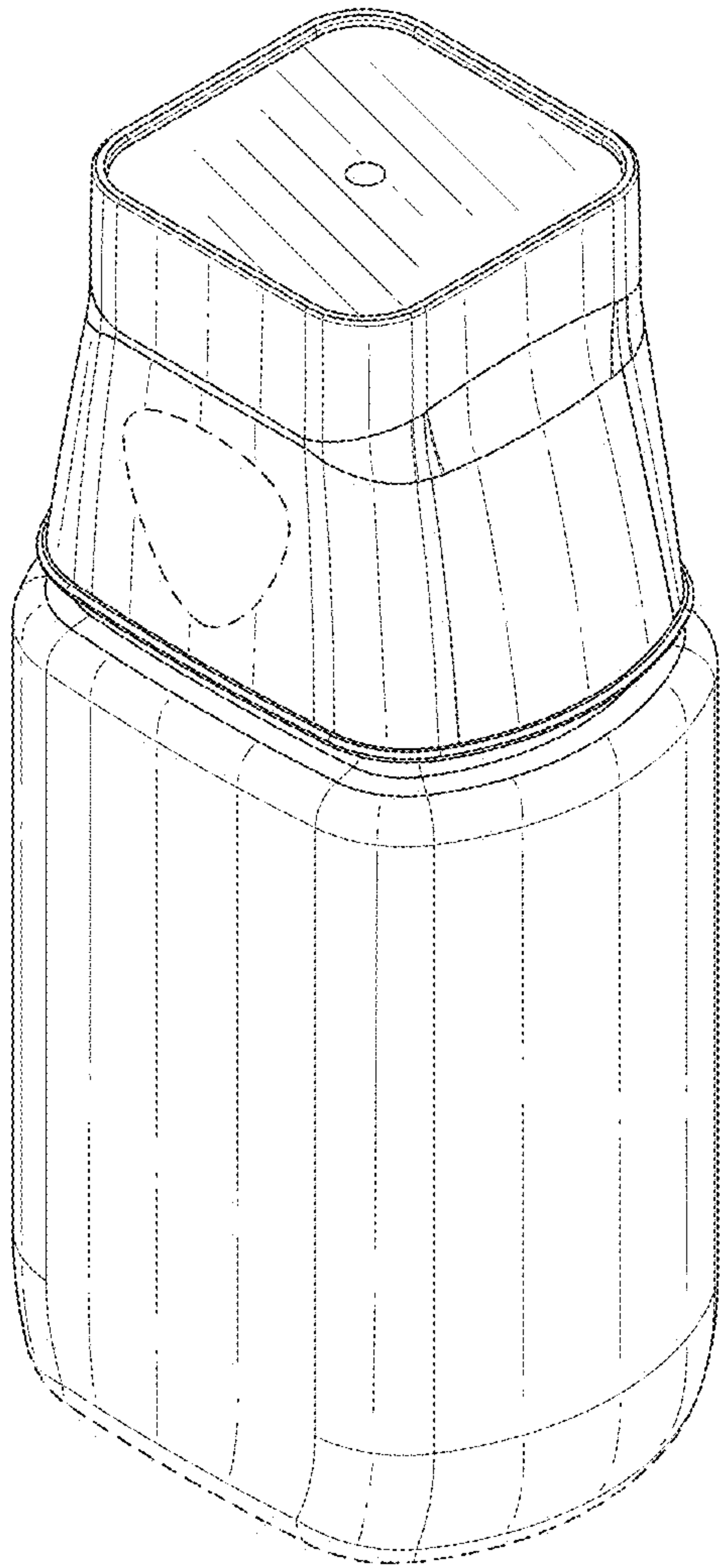


FIG. 1

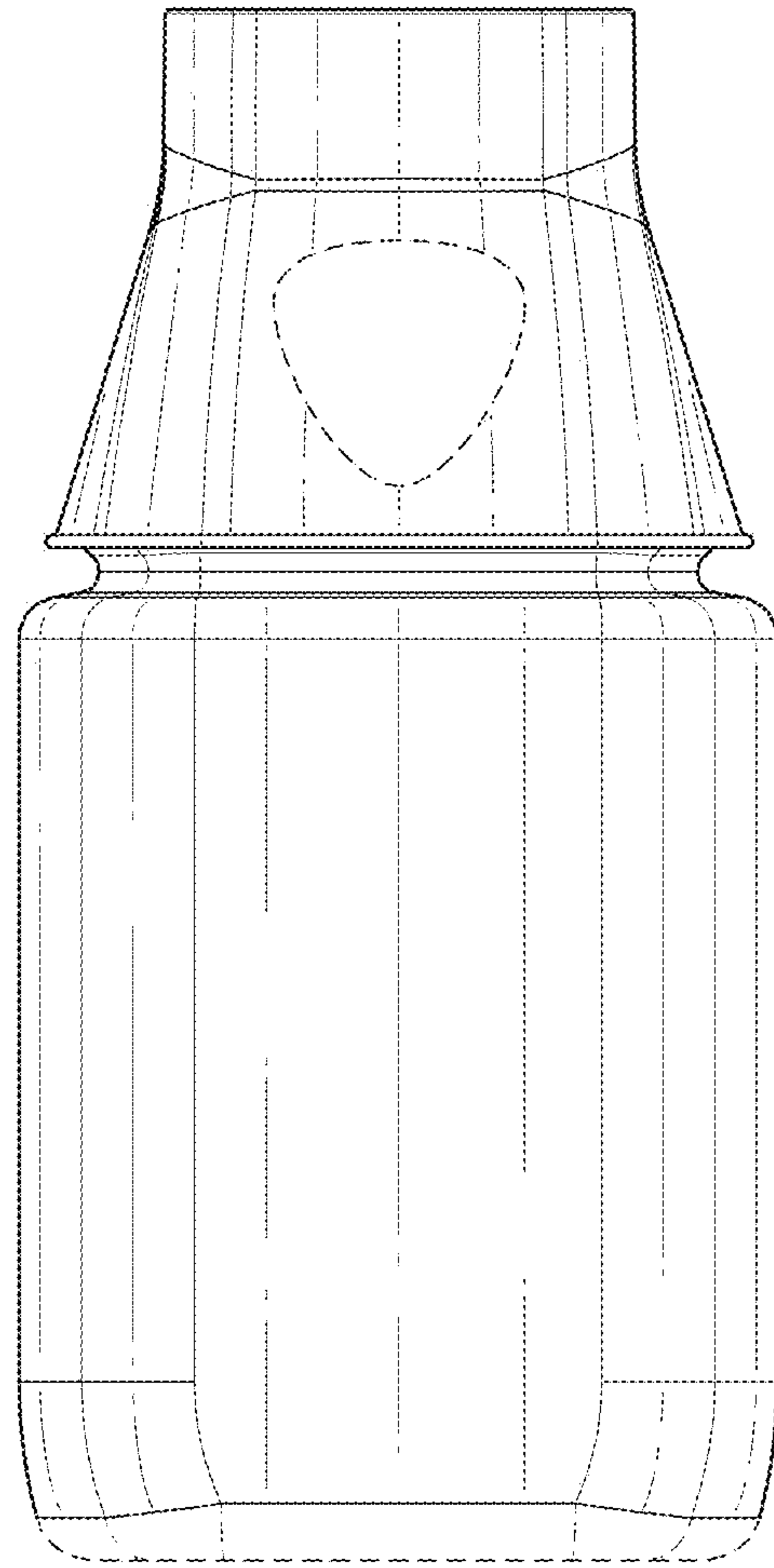


FIG. 2

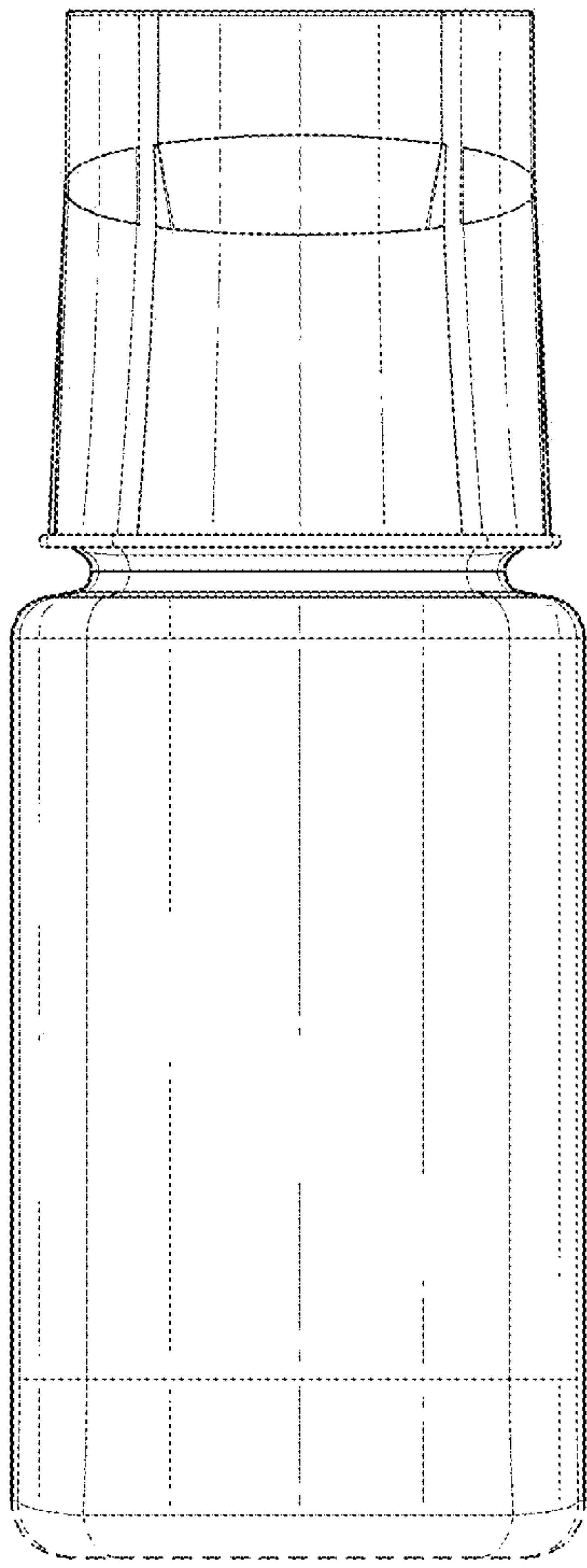


FIG. 3

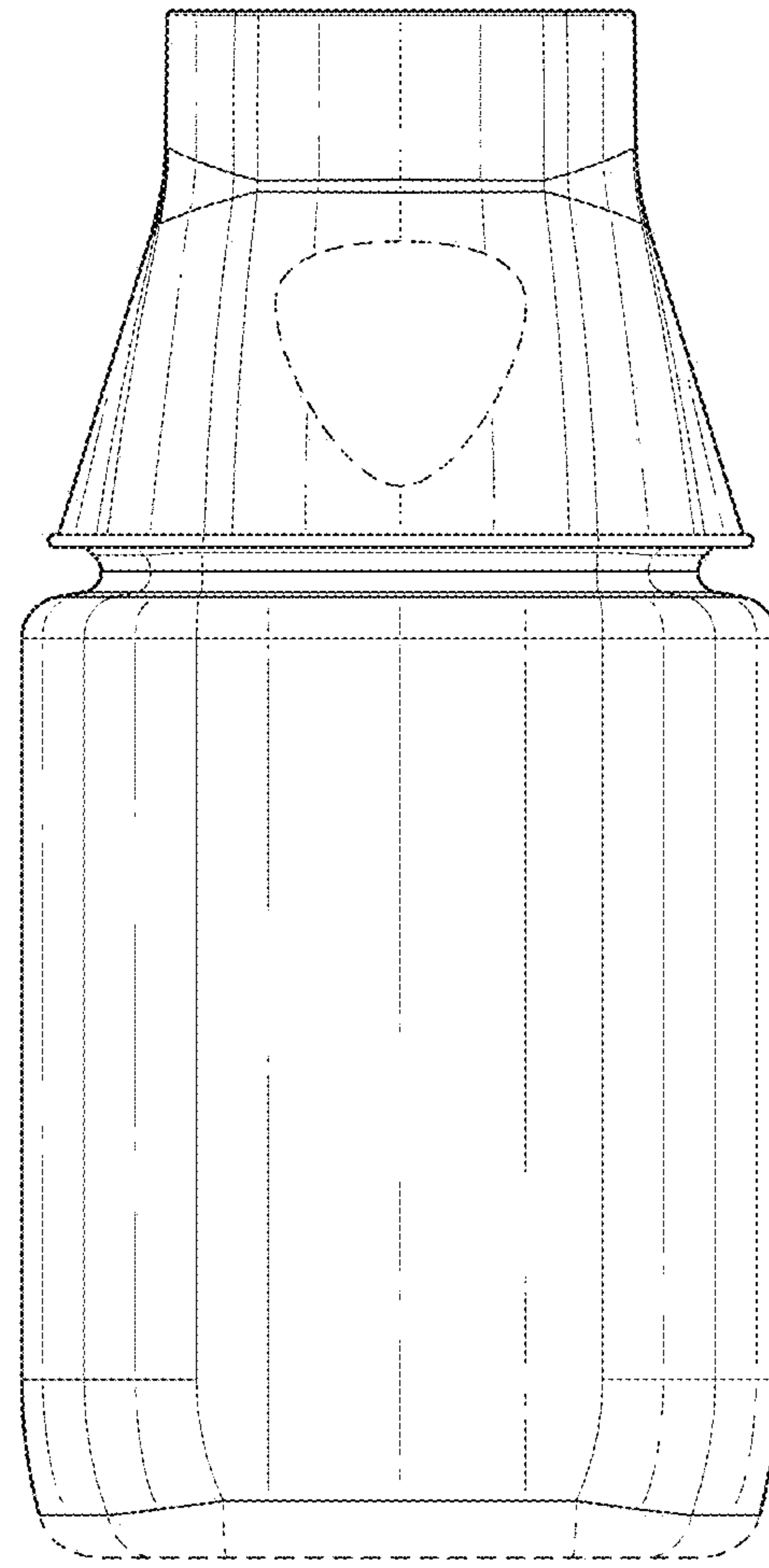


FIG. 4

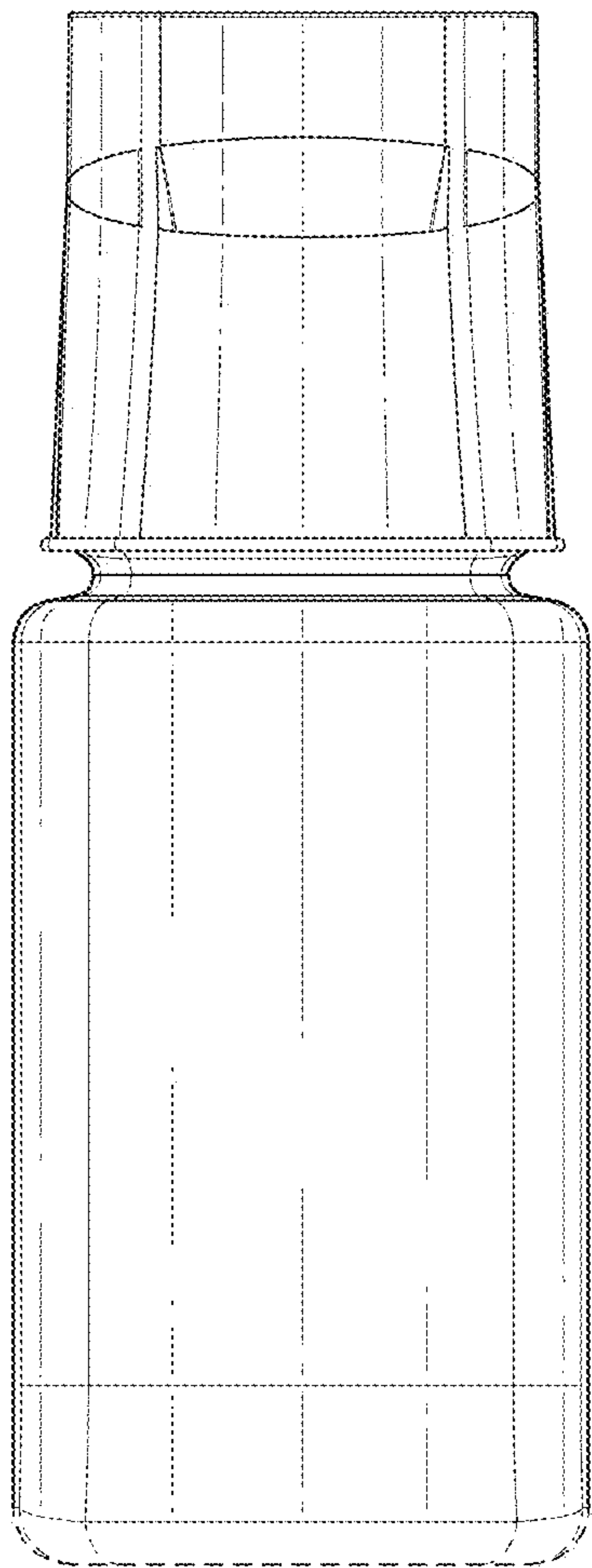


FIG. 5

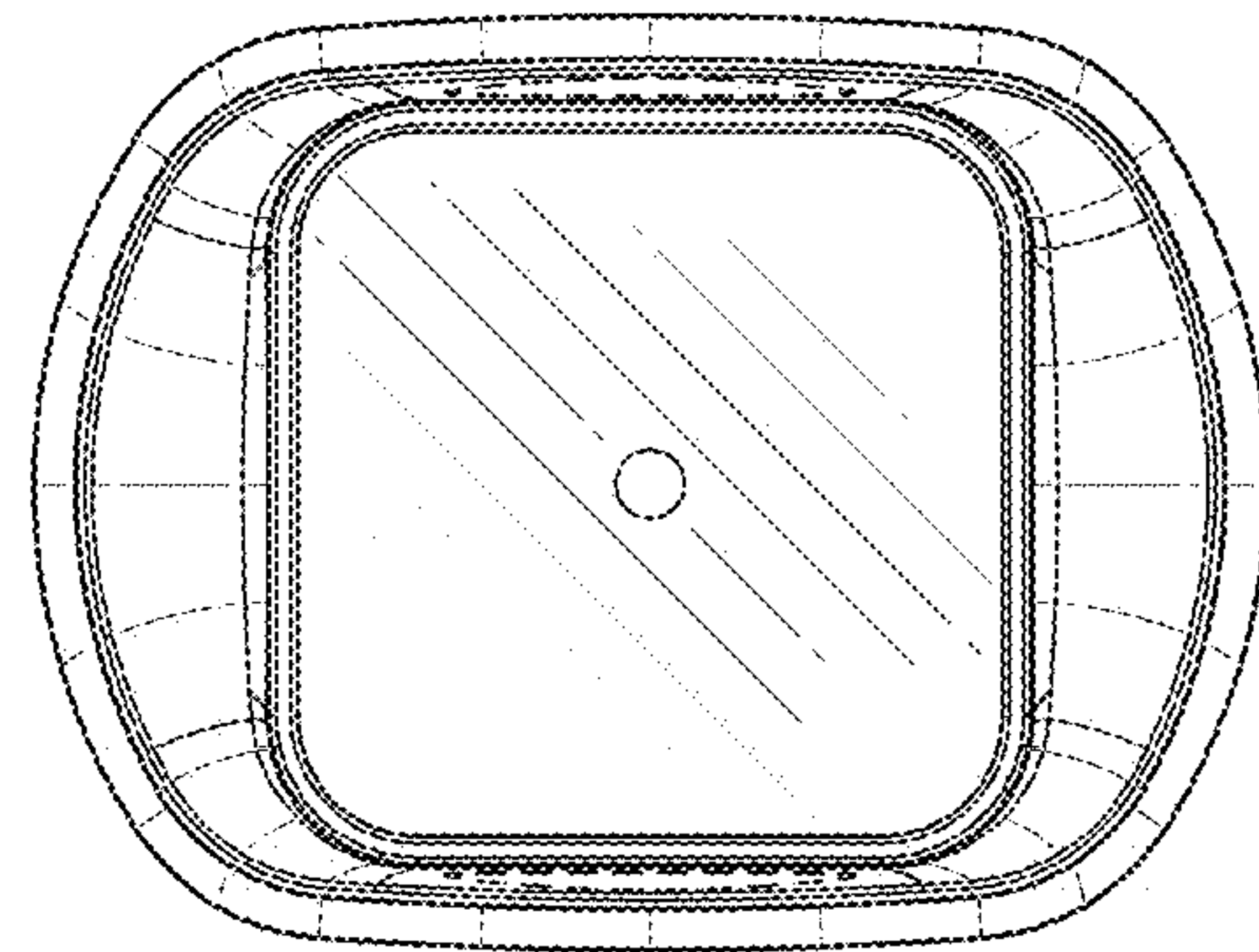


FIG. 6

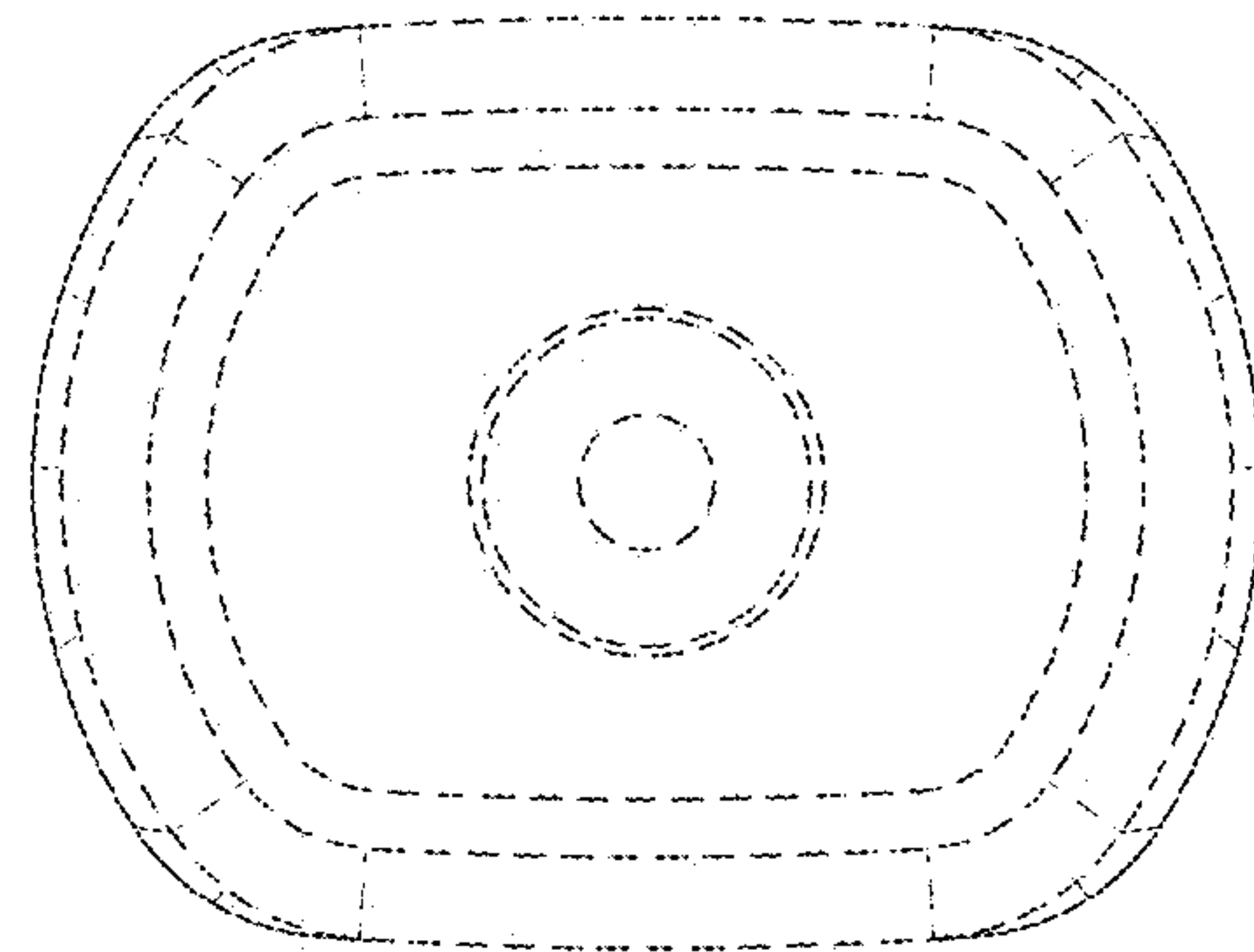


FIG. 7