



US00D948342S

(12) **United States Design Patent**
Wadsworth

(10) **Patent No.:** **US D948,342 S**
(45) **Date of Patent:** **** Apr. 12, 2022**

(54) **BOTTLE**
(71) Applicant: **Hydrojug, LLC**, Ogden, UT (US)
(72) Inventor: **Hayden Wadsworth**, Ogden, UT (US)
(73) Assignee: **Hydrojug, Inc.**, Ogden, UT (US)

D872,534 S * 1/2020 Peng D7/532
D873,668 S * 1/2020 Melkonian D9/557
D880,304 S * 4/2020 Melkonian D9/531
D881,647 S * 4/2020 Wang D9/531
D889,910 S * 7/2020 Wang D7/532
D939,355 S * 12/2021 Li D9/531

(**) Term: **15 Years**
(21) Appl. No.: **29/725,582**

(22) Filed: **Feb. 26, 2020**
(51) **LOC (13) Cl.** **09-01**
(52) **U.S. Cl.**
USPC **D9/531**
(58) **Field of Classification Search**
USPC D9/523, 528, 530, 531, 540, 543, 549,
D9/550, 563, 572, 575
CPC B65D 1/02; B65D 1/0223; B65D 1/023;
B65D 1/0261; B65D 2501/0009; B65D
2501/0081; B65D 2501/009
See application file for complete search history.

OTHER PUBLICATIONS

H2O Capsule INSP0 Half Gallon Water Bottle, announced Oct. 24, 2020, [online], site visited Feb. 17, 2022. Available from Internet, URL: <http://www.amazon.com> (Year: 2020).*

* cited by examiner

Primary Examiner — Janice Patyk
(74) *Attorney, Agent, or Firm* — Preston P. Frischknecht;
Project CIP

(57) **CLAIM**
The ornamental design for a bottle, as shown and described.

DESCRIPTION

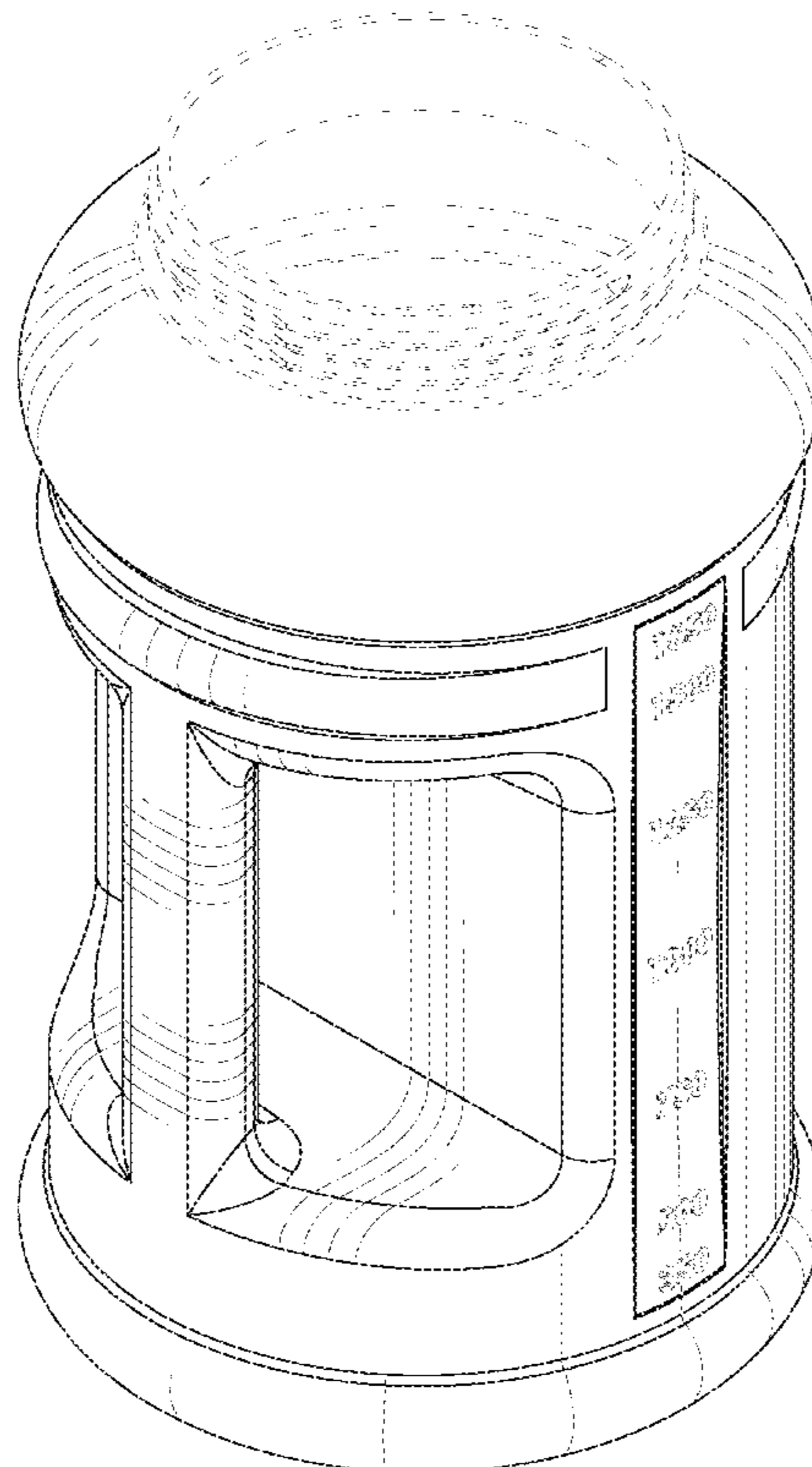
FIG. 1 is a top perspective view of a bottle, showing my new design;
FIG. 2 is a bottom perspective view thereof;
FIG. 3 is a back view thereof;
FIG. 4 is a front view thereof;
FIG. 5 is a side view thereof;
FIG. 6 is an opposite side view thereof;
FIG. 7 is a top plan view thereof; and,
FIG. 8 is a bottom plan view thereof.
The broken lines in the figures illustrate the portions of the bottle and form no part of the claimed design.

(56) **References Cited**

U.S. PATENT DOCUMENTS

D726,018 S * 4/2015 Archer D9/446
D793,164 S * 8/2017 Charlton D7/532
D805,846 S * 12/2017 Kirkpatrick D9/531
D838,598 S * 1/2019 Melkonian D9/531
D843,218 S * 3/2019 Hudson D9/531
D856,085 S * 8/2019 Archer D7/532
D871,845 S * 1/2020 Huang D7/532

1 Claim, 8 Drawing Sheets



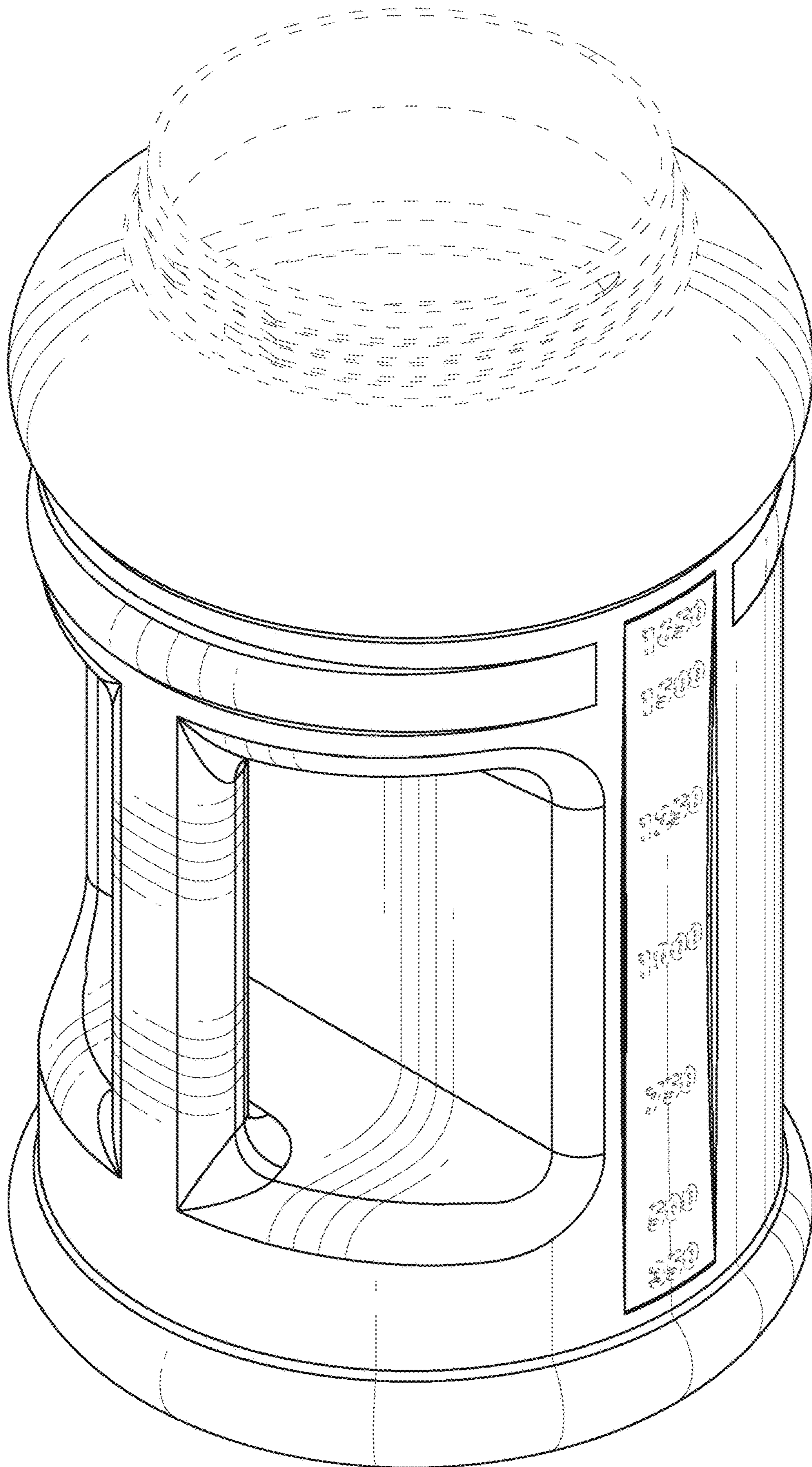


FIG. 1

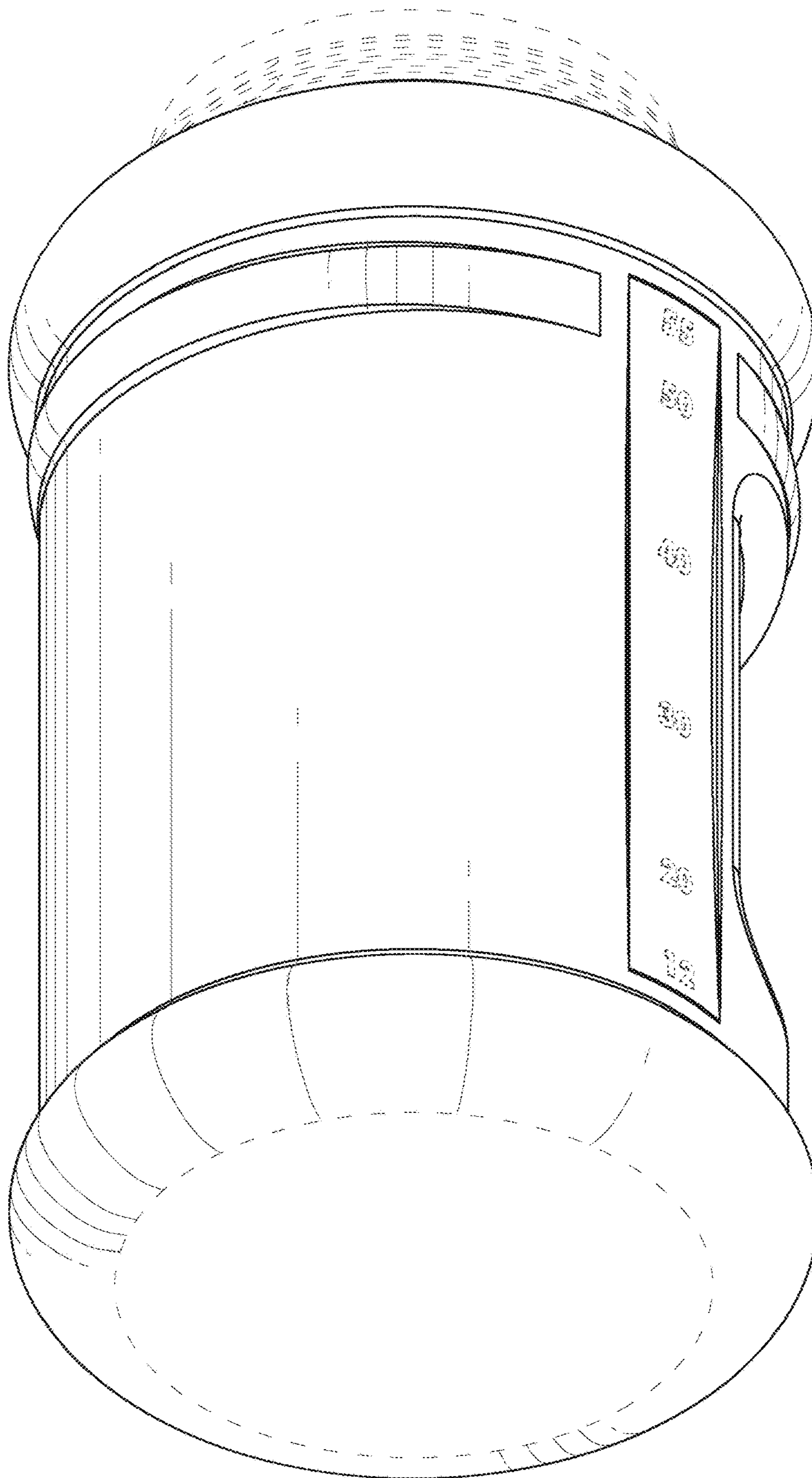


FIG. 2

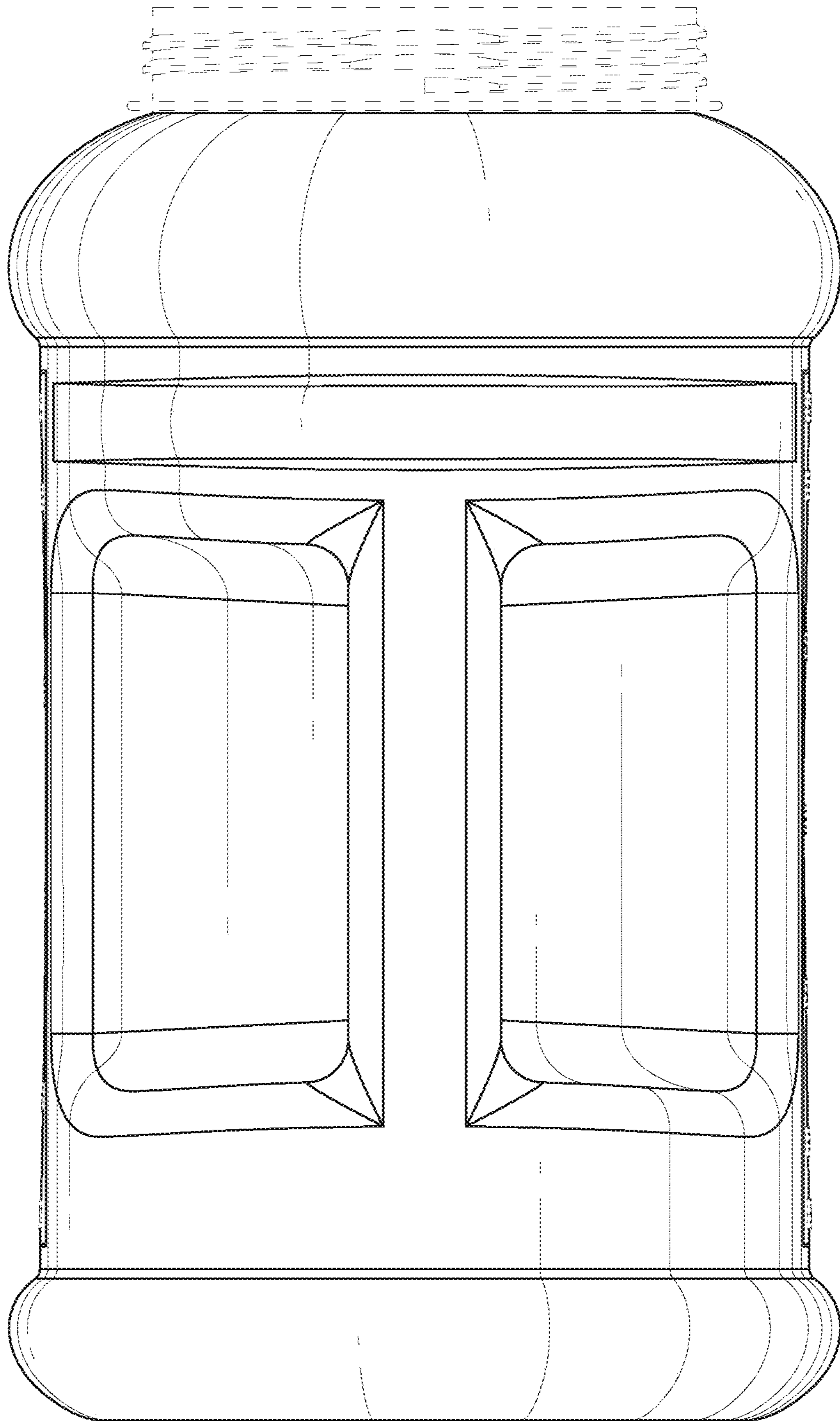


FIG. 3

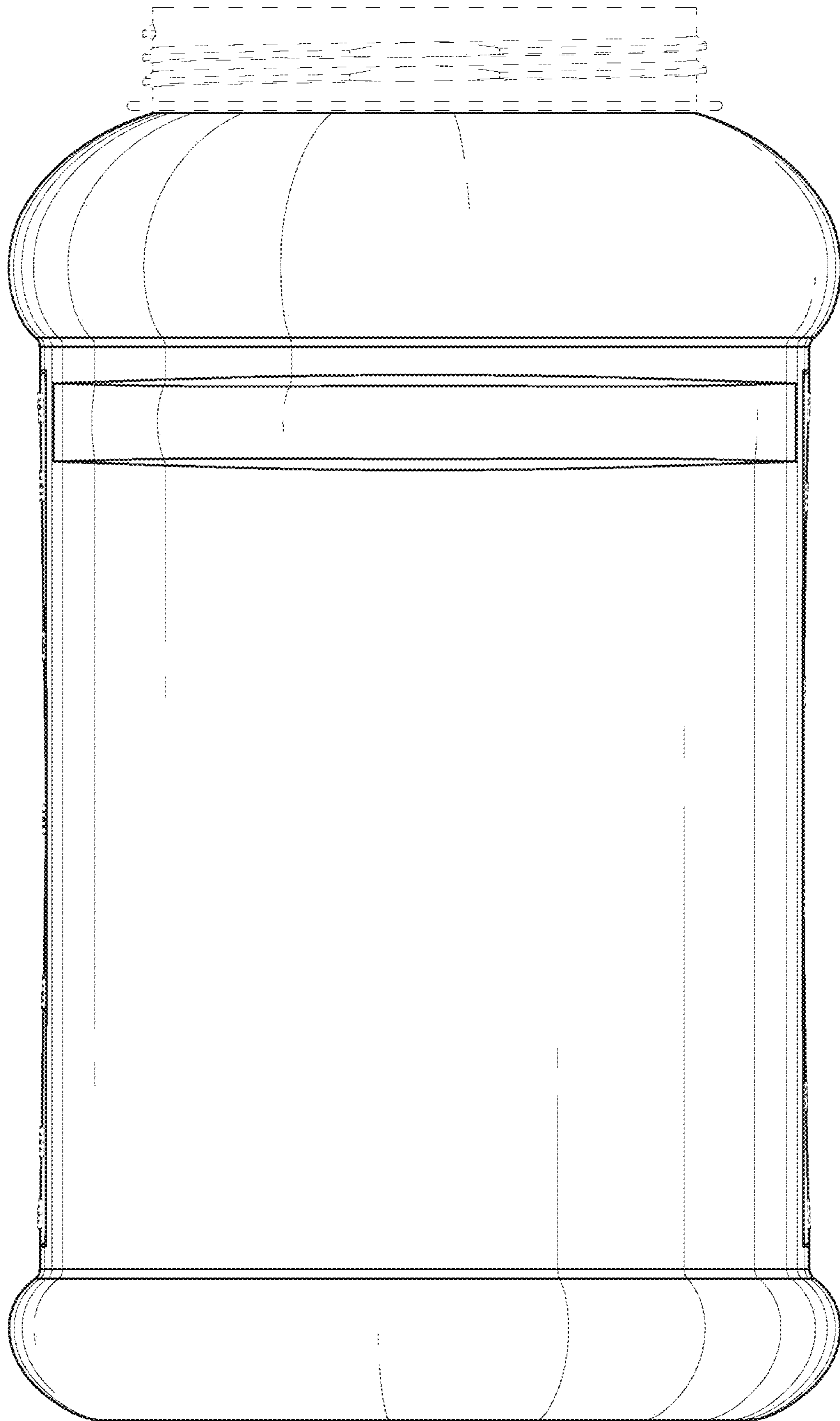


FIG. 4

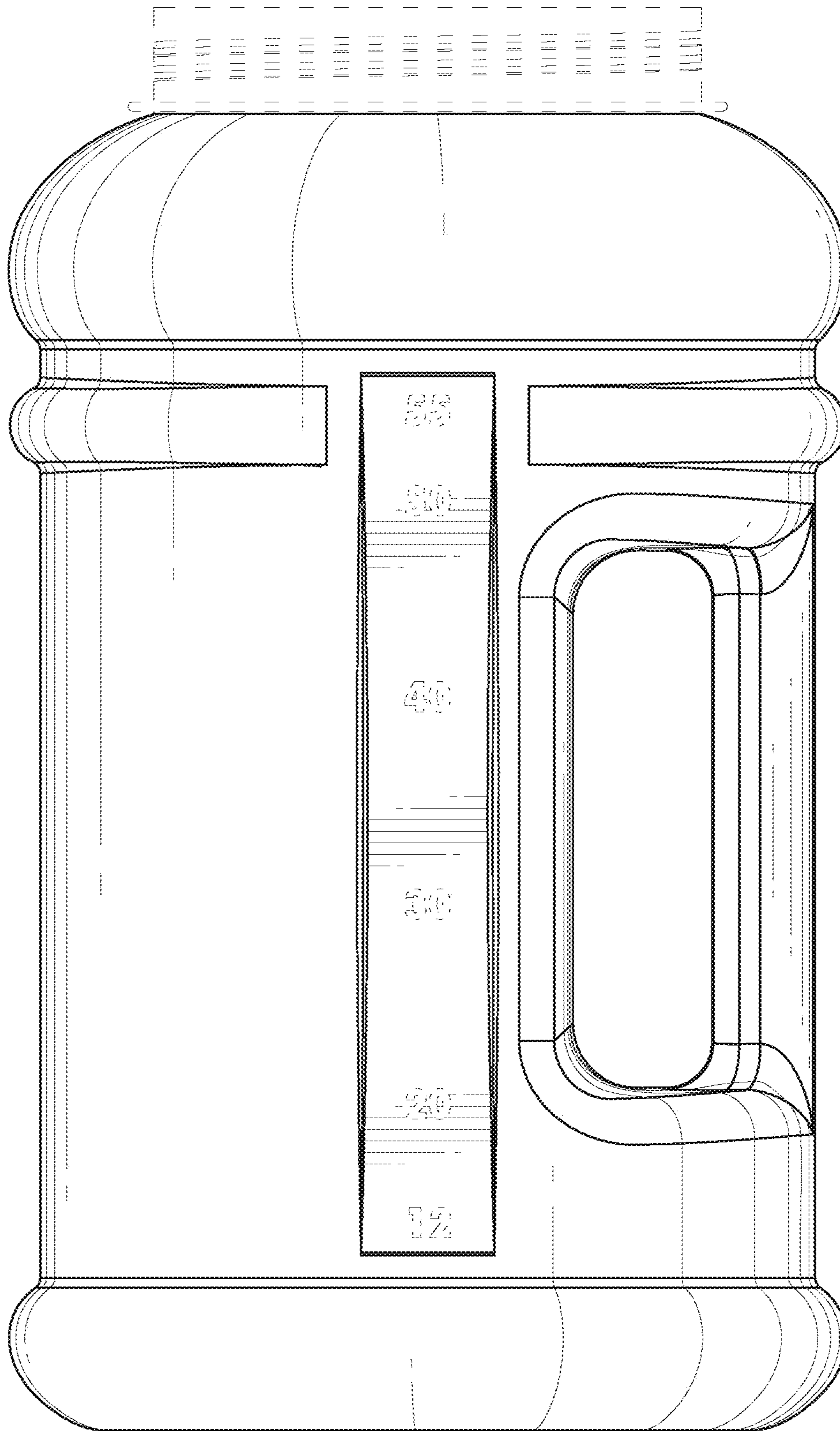


FIG. 5

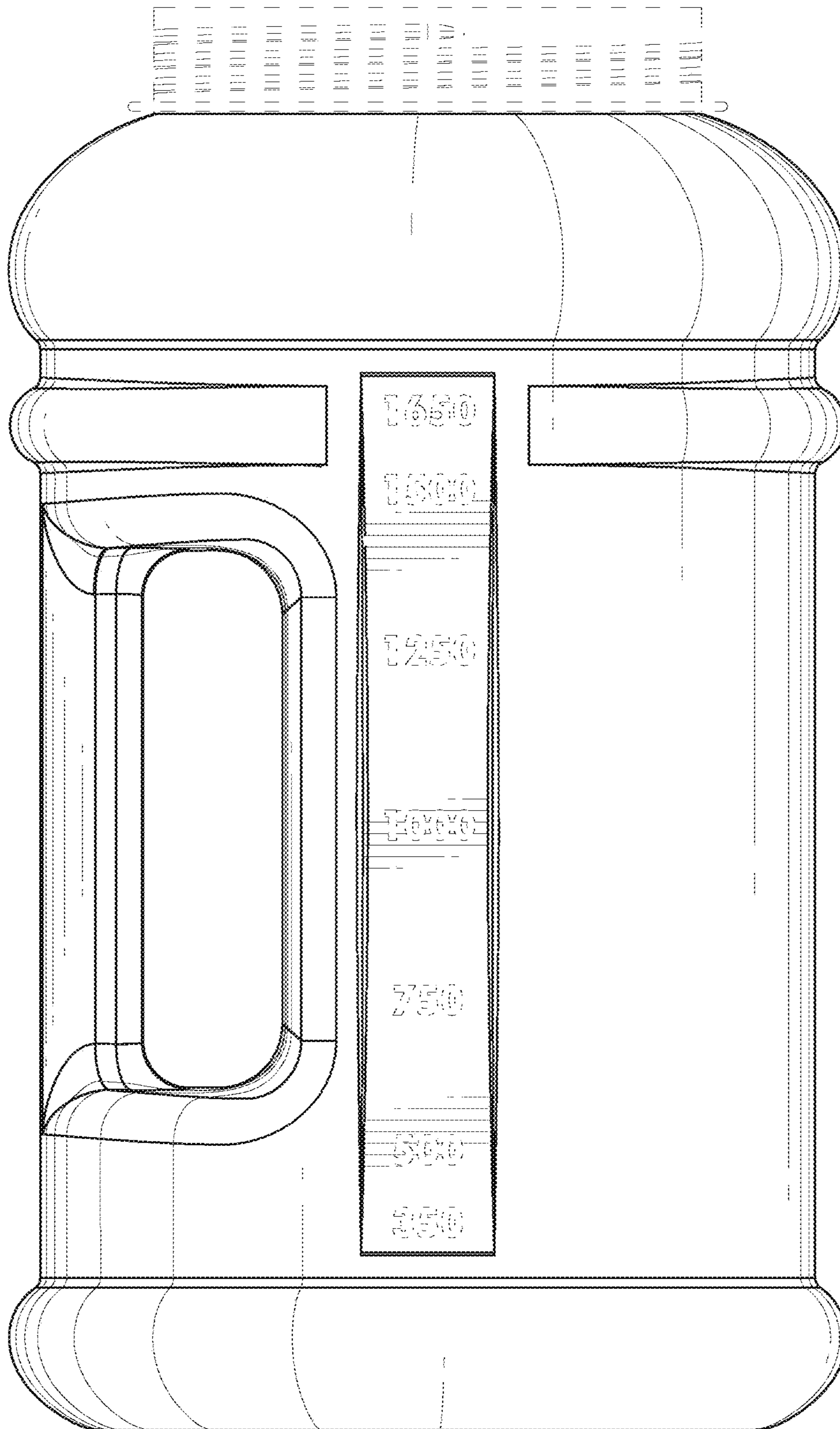


FIG. 6

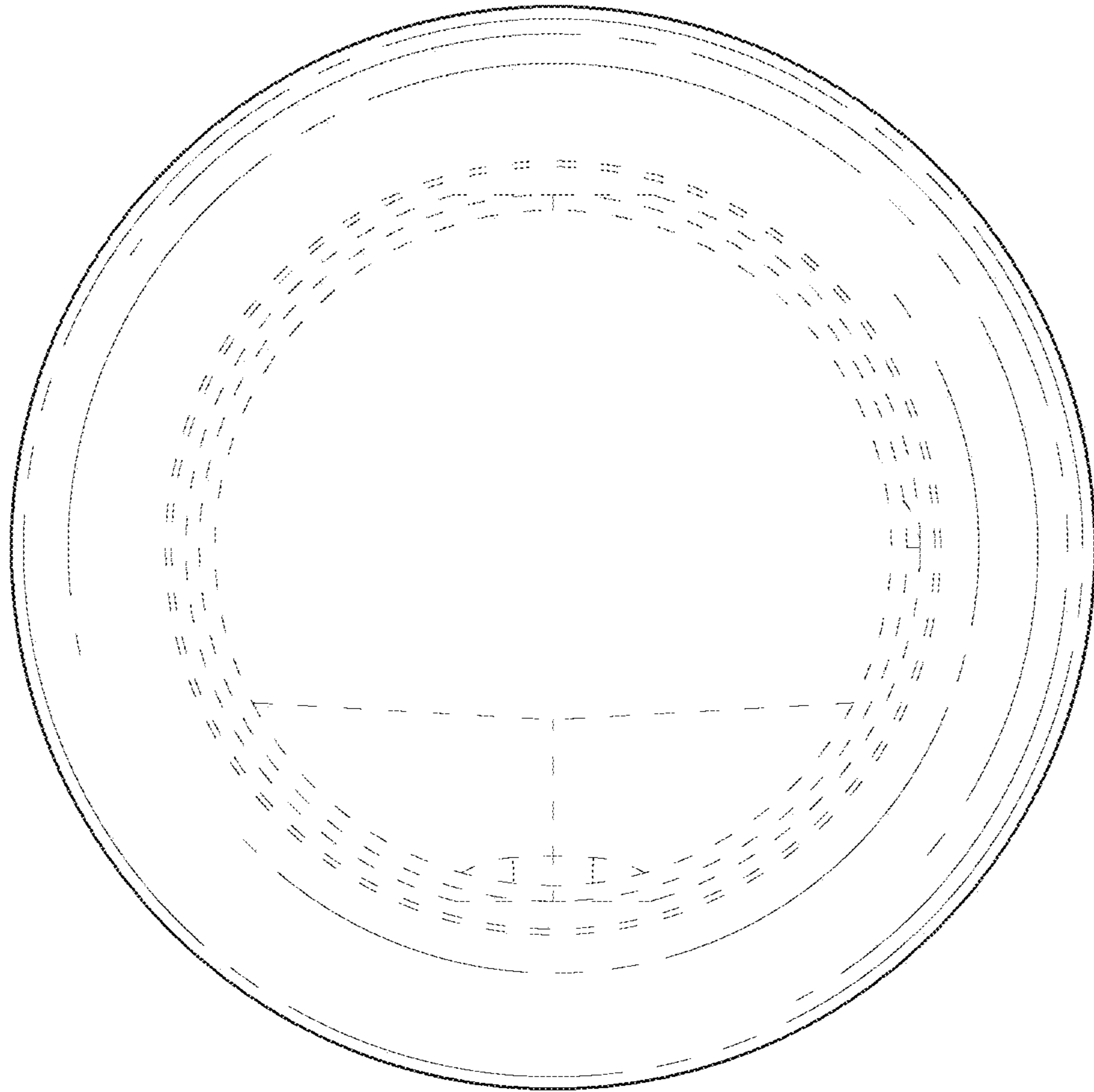


FIG. 7

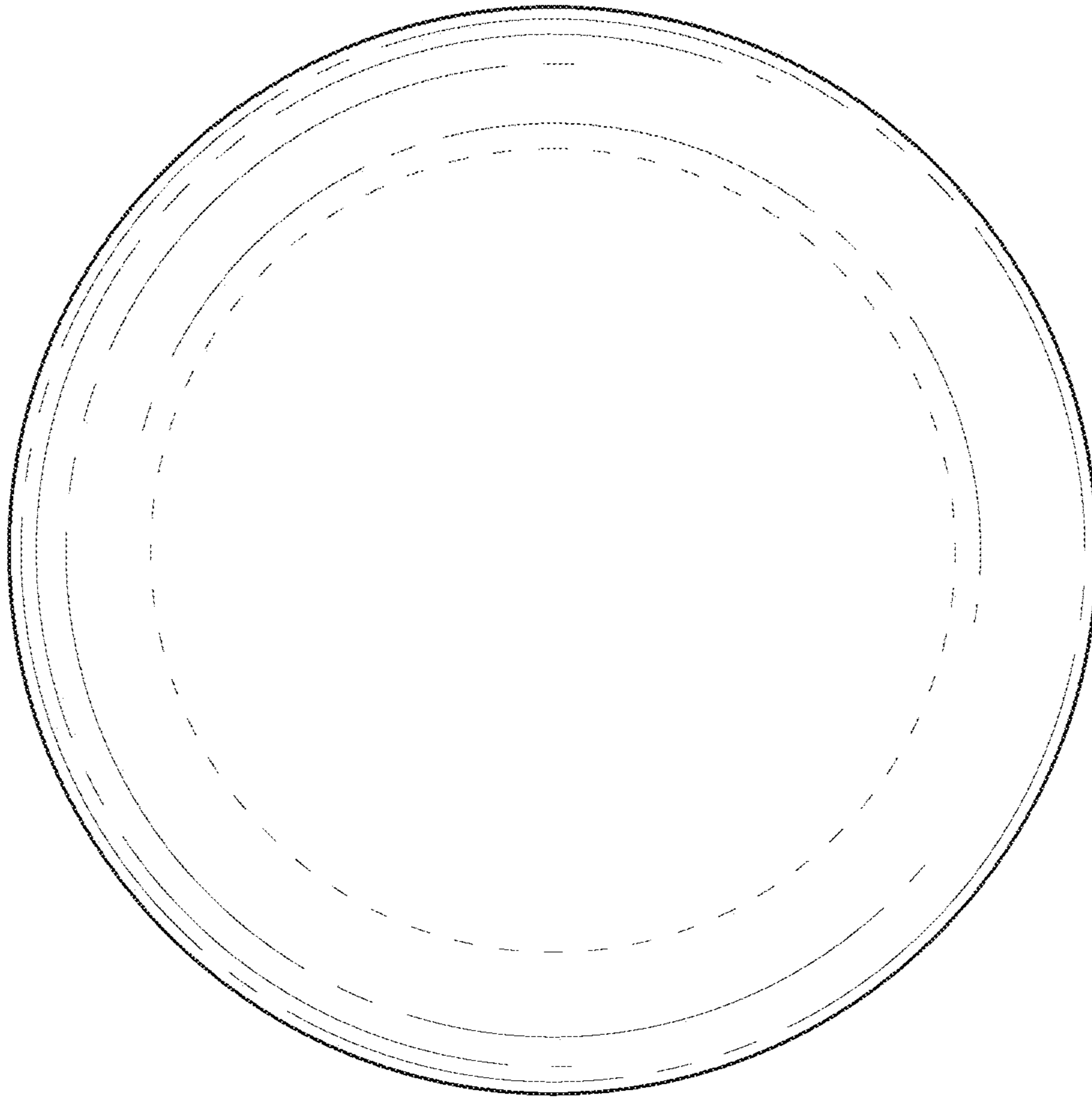


FIG. 8