



US00D948340S

(12) **United States Design Patent**
Barenhoff

(10) **Patent No.:** **US D948,340 S**

(45) **Date of Patent:** **** Apr. 12, 2022**

(54) **SPRAY HEAD**

(71) Applicant: **APTAR DORTMUND GMBH**,
Dortmund (DE)

(72) Inventor: **Swen Barenhoff**, Boenen (DE)

(73) Assignee: **Aptar Dortmund GmbH**, Dortmund
(DE)

(**) Term: **15 Years**

(21) Appl. No.: **29/761,080**

(22) Filed: **Dec. 7, 2020**

(51) **LOC (13) Cl.** **09-01**

(52) **U.S. Cl.**
USPC **D9/448**; D9/685

(58) **Field of Classification Search**
USPC D9/435, 439, 440, 442-449, 450, 454,
D9/531, 682-694, 723, 575; D7/321,
D7/391, 392, 392.1, 396.2, 507, 509-511,
D7/523, 608, 900; D6/515
CPC B65D 83/205; B65D 83/206; B65D 83/40;
B65D 2543/00046; A47G 19/2272
See application file for complete search history.

(56) **References Cited**

U.S. PATENT DOCUMENTS

D406,052 S *	2/1999	Dumont	D9/685
D406,060 S *	2/1999	Dumont	D9/448
D454,787 S *	3/2002	Cummings	D9/448
D456,262 S *	4/2002	Cummings	D9/448
D463,972 S *	10/2002	Perrin	D9/530
D466,402 S *	12/2002	Cummings	D9/685
D569,248 S *	5/2008	Seum	D9/448
D582,768 S *	12/2008	Cantoni	D9/448
D582,769 S *	12/2008	Turchi	D9/448
D582,770 S *	12/2008	Turchi	D9/448

D582,771 S *	12/2008	Cantoni	D9/448
D583,233 S *	12/2008	Cantoni	D9/448
D587,573 S *	3/2009	Sato	D9/448

(Continued)

FOREIGN PATENT DOCUMENTS

CN	304879315 S	11/2018
CN	305514728	* 7/2019

(Continued)

OTHER PUBLICATIONS

CAS, Jul. 8, 2019, Windex Amazon.com Product Review Post,
URL: <https://www.amazon.com/Windex-Crystal-Glass-Cleaner-Fluid/dp/B01GFLZ4DU?th=1> (Year: 2019).*

Primary Examiner — Brett Miller

Assistant Examiner — Rani J Abdallah

(74) *Attorney, Agent, or Firm* — Jason H. Vick; Sheridan
Ross, PC

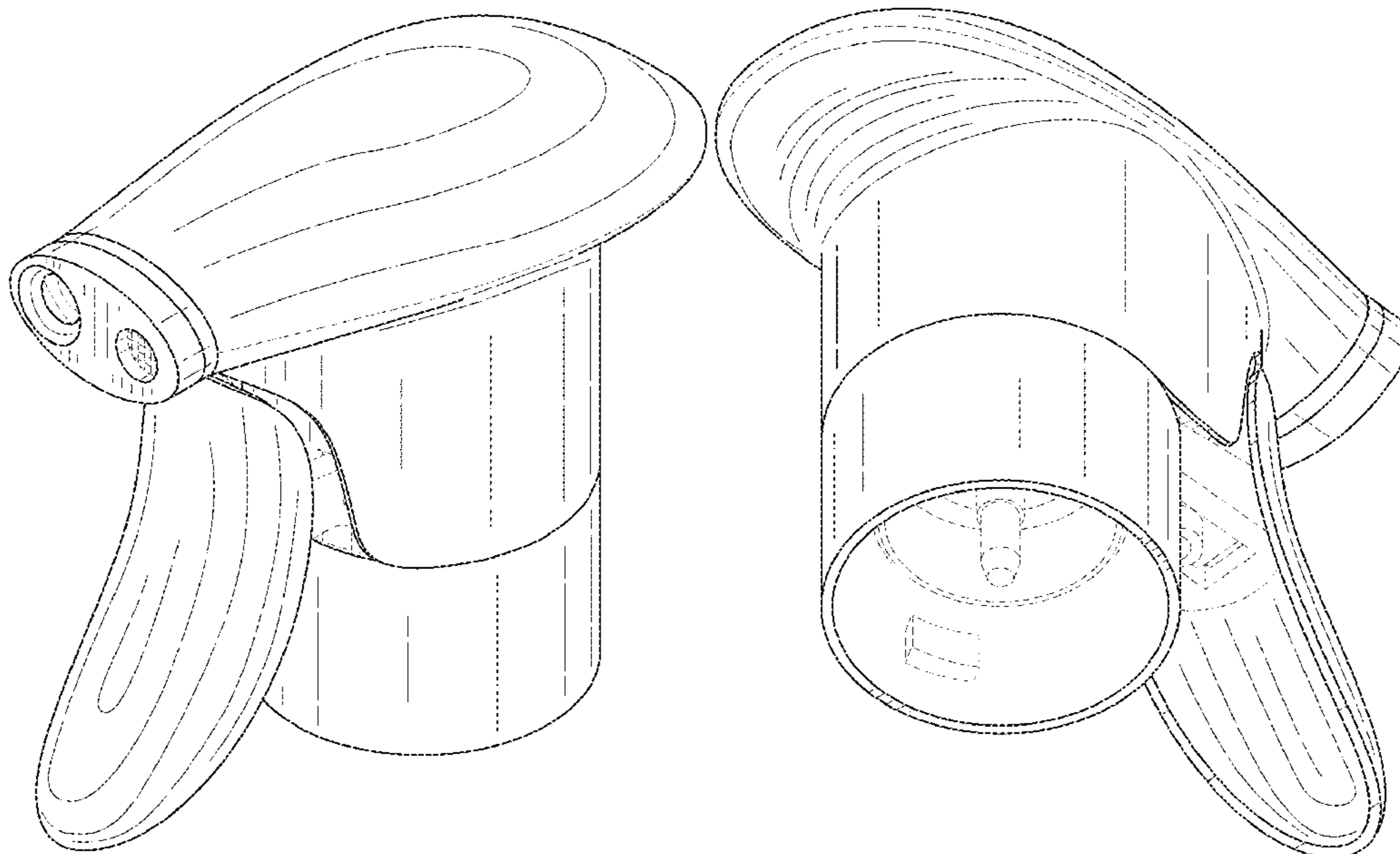
(57) **CLAIM**

The ornamental design for a spray head, as shown and
described.

DESCRIPTION

FIG. 1 is a top perspective view of a spray head of the
claimed design;
FIG. 2 is a bottom perspective view of the spray head of FIG.
1;
FIG. 3 is a front elevation view of the spray head of FIG. 1;
FIG. 4 is a rear elevation view of the spray head of FIG. 1;
FIG. 5 is a right elevation view of the spray head of FIG. 1;
FIG. 6 is a left elevation view of the spray head of FIG. 1;
FIG. 7 is a top plan view of the spray head of FIG. 1; and,
FIG. 8 is a bottom plan view of the spray head of FIG. 1.
The broken lines shown illustrate portions of the spray head
that form no part of the claimed design.

1 Claim, 8 Drawing Sheets



(56)

References Cited

U.S. PATENT DOCUMENTS

D587,574 S * 3/2009 Cantoni D9/448
 D588,454 S * 3/2009 Sweeton D9/448
 D623,071 S 9/2010 Driskell et al.
 D625,187 S * 10/2010 McCay D9/448
 D649,053 S * 11/2011 Van den Broeck D9/448
 D653,541 S * 2/2012 Foster D9/448
 D653,542 S * 2/2012 Arminak D9/448
 D654,371 S * 2/2012 Geeraert D9/685
 D664,431 S * 7/2012 Wang D9/448
 D668,551 S * 10/2012 Kersten D9/685
 D673,861 S * 1/2013 Williams D9/685
 D674,706 S * 1/2013 Birdwell D9/685
 D700,521 S * 3/2014 Finlay D9/685
 D700,841 S * 3/2014 Natersky D9/448
 D703,047 S * 4/2014 Sweeton D9/448
 D705,649 S * 5/2014 Sweeton D9/434
 D705,653 S * 5/2014 Sweeton D9/449
 D778,159 S * 2/2017 Conway D9/448

D832,705 S * 11/2018 Bos D9/448
 D846,393 S * 4/2019 Bos D9/448
 D866,327 S * 11/2019 Tu D9/448
 D866,329 S * 11/2019 Tu D9/448
 D875,526 S * 2/2020 Bos D9/448
 D878,206 S * 3/2020 Natersky D9/448
 D909,882 S * 2/2021 Van Den Bergh D9/685
 D918,730 S * 5/2021 Van Den Bergh D9/685
 D921,486 S * 6/2021 Van Den Bergh D9/448
 2012/0138564 A1* 6/2012 Castillo Higareda
 B05B 11/0037
 215/379

FOREIGN PATENT DOCUMENTS

CN 305558449 * 1/2020
 CN 306247262 * 12/2020
 ID DM/082642 6/2013
 JP D1395352 7/2010
 RU 00081957 * 6/2012

* cited by examiner

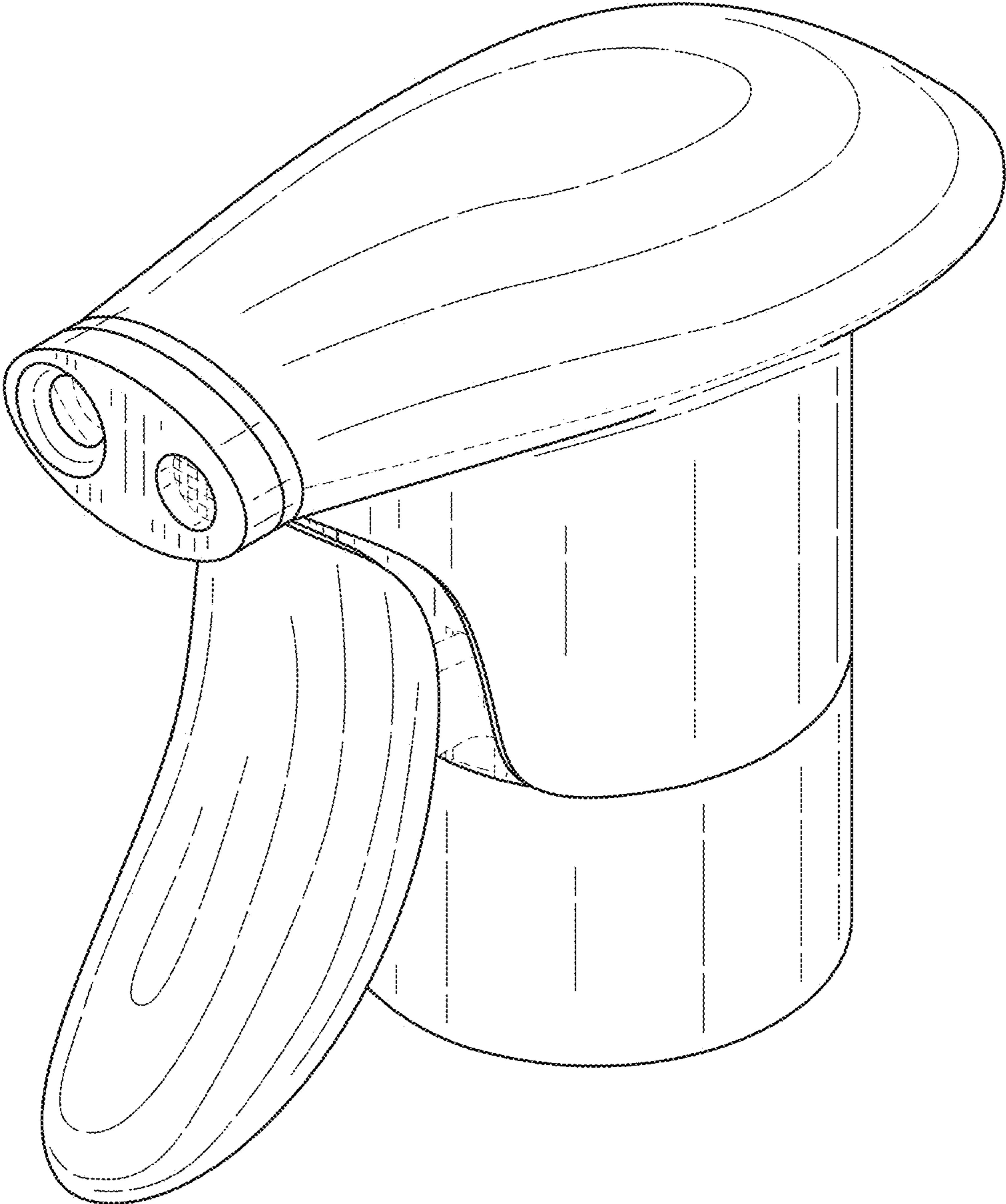


FIG.1

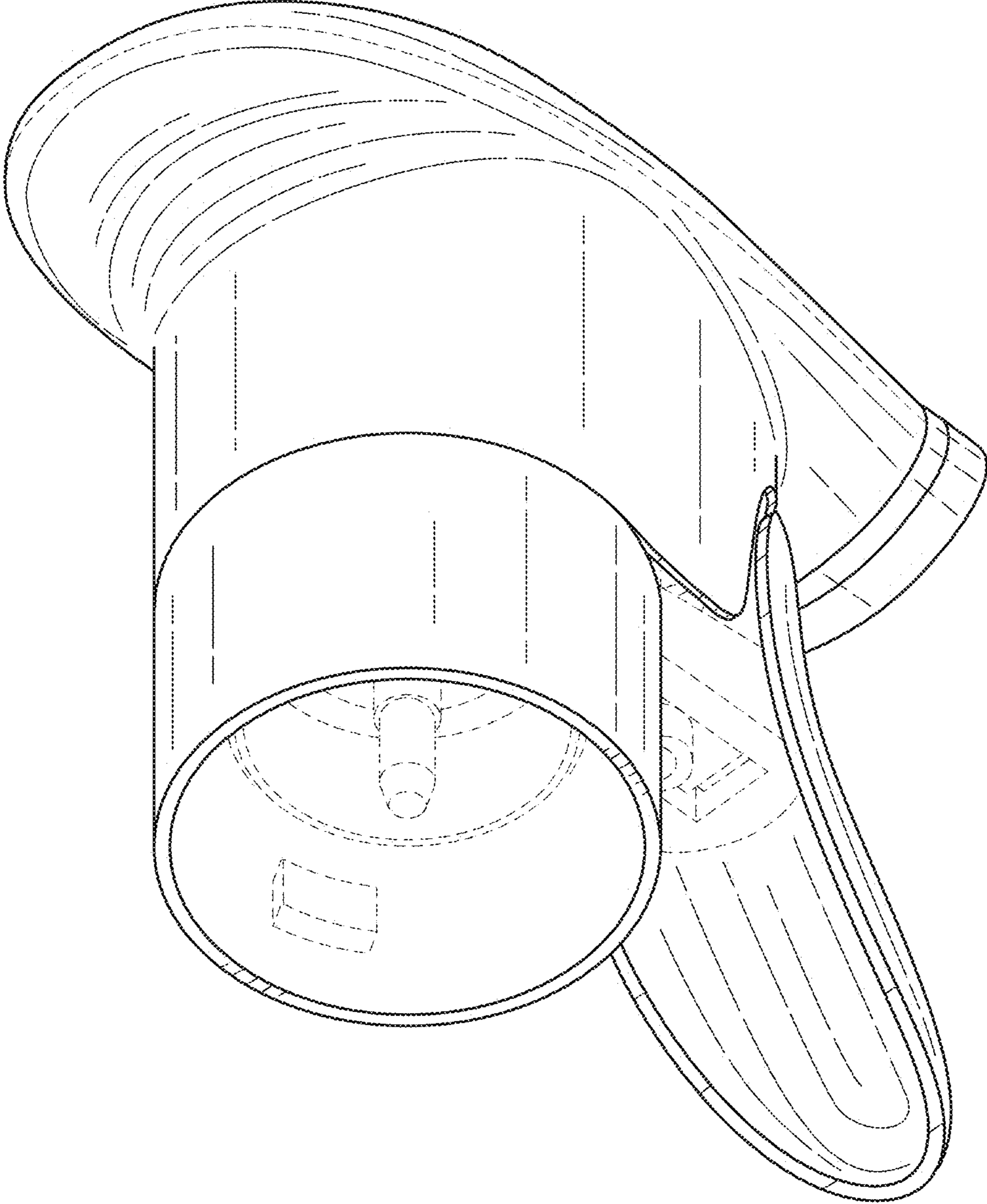


FIG.2

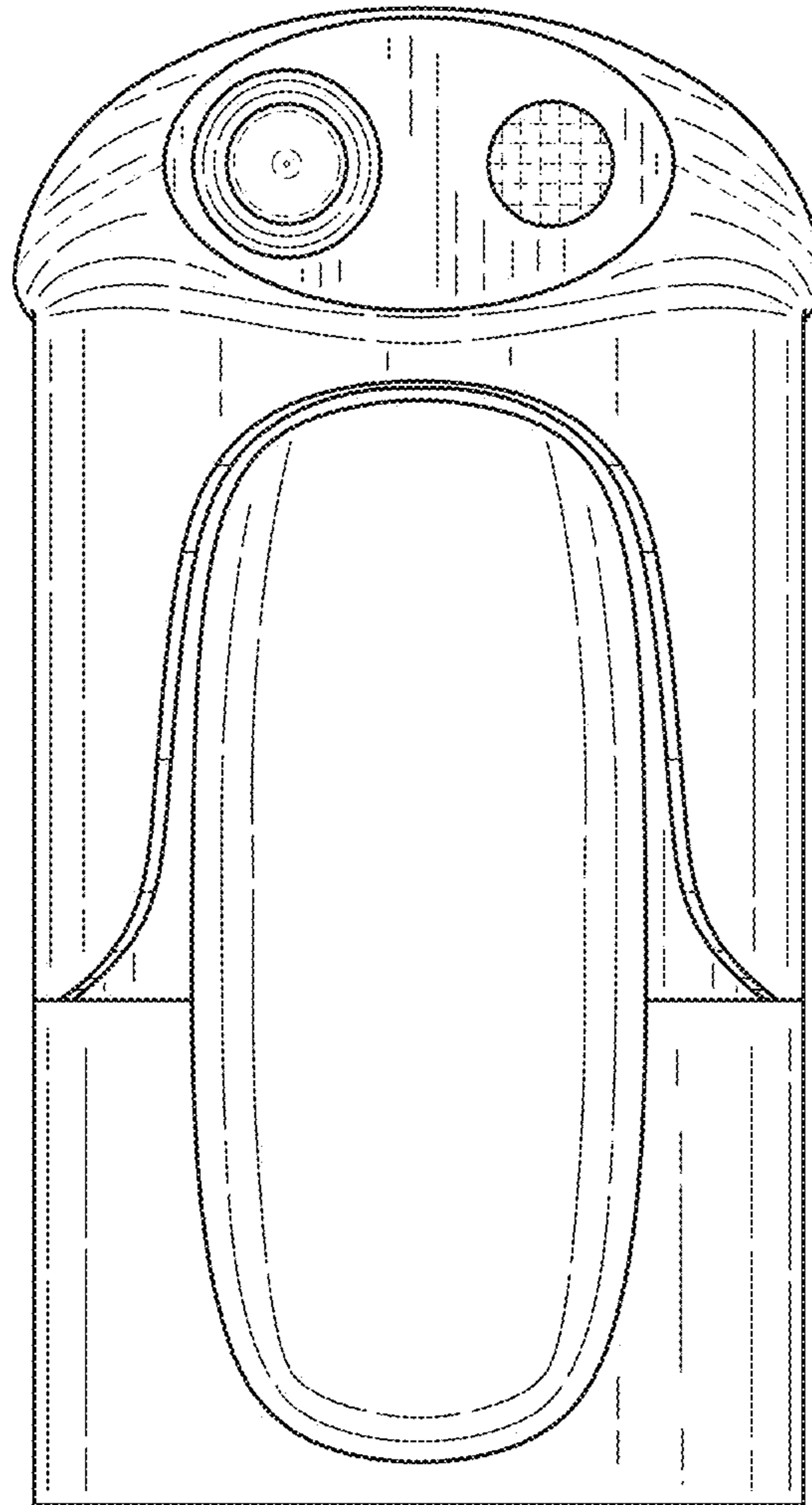


FIG.3

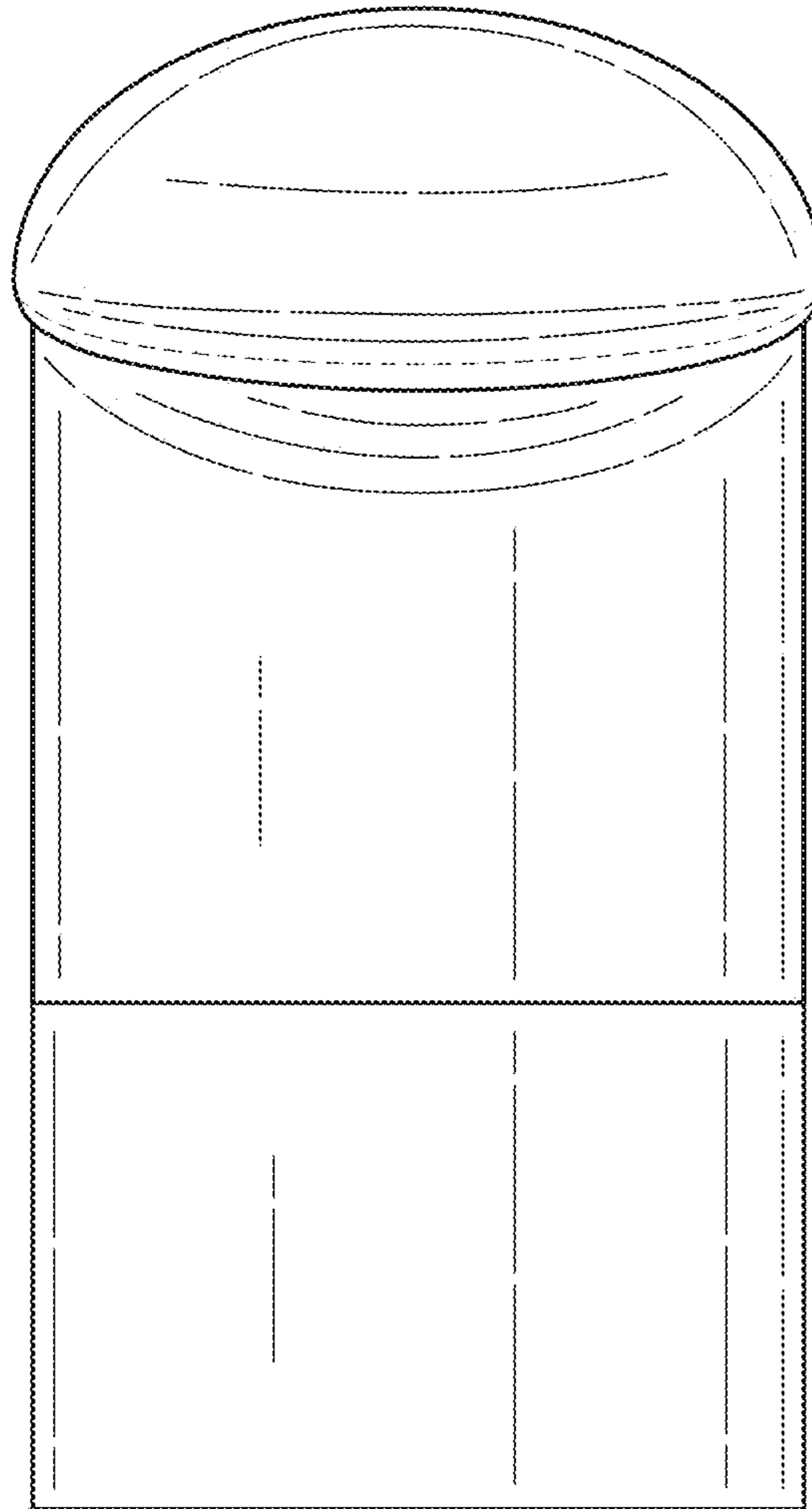


FIG.4

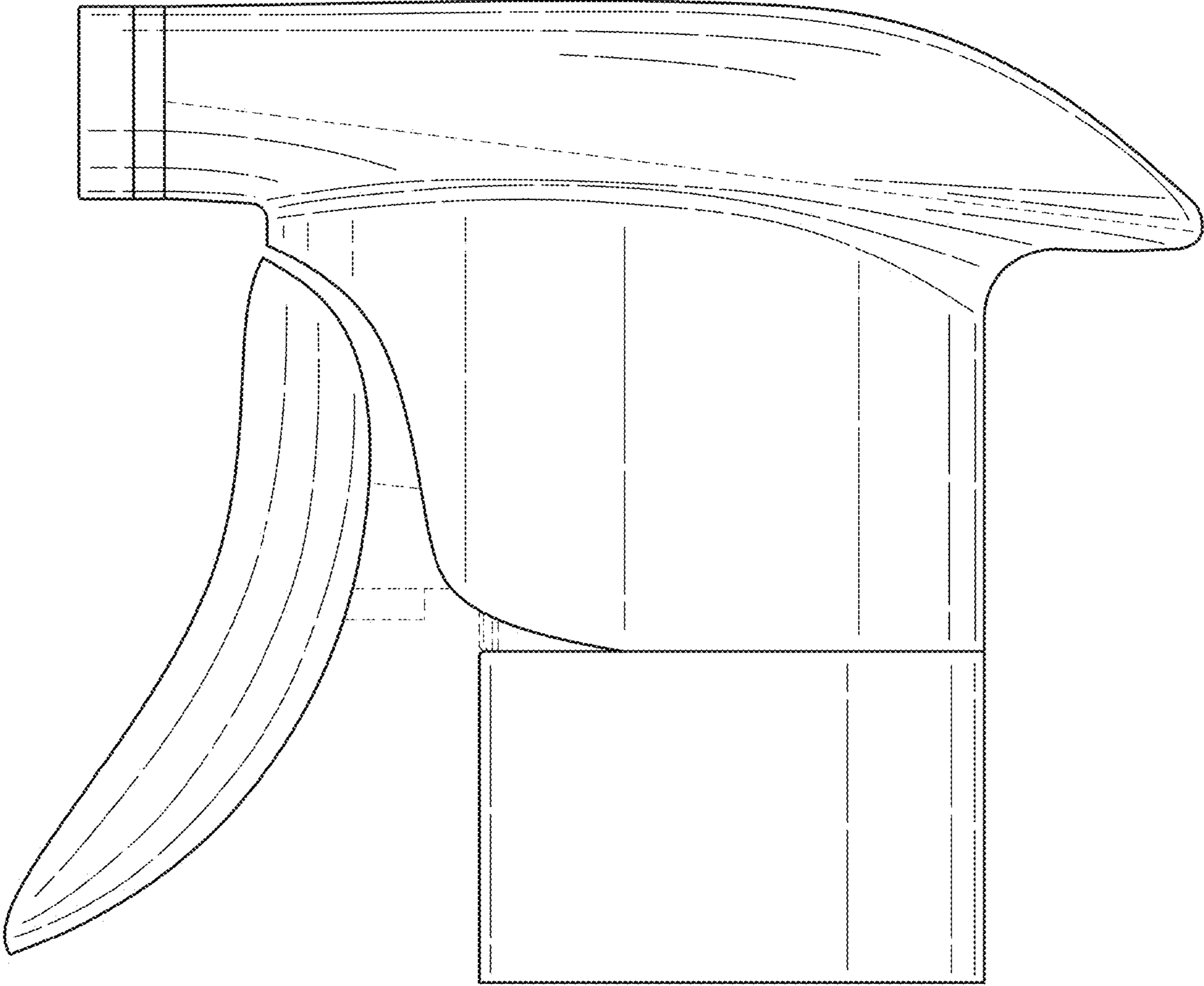


FIG.5

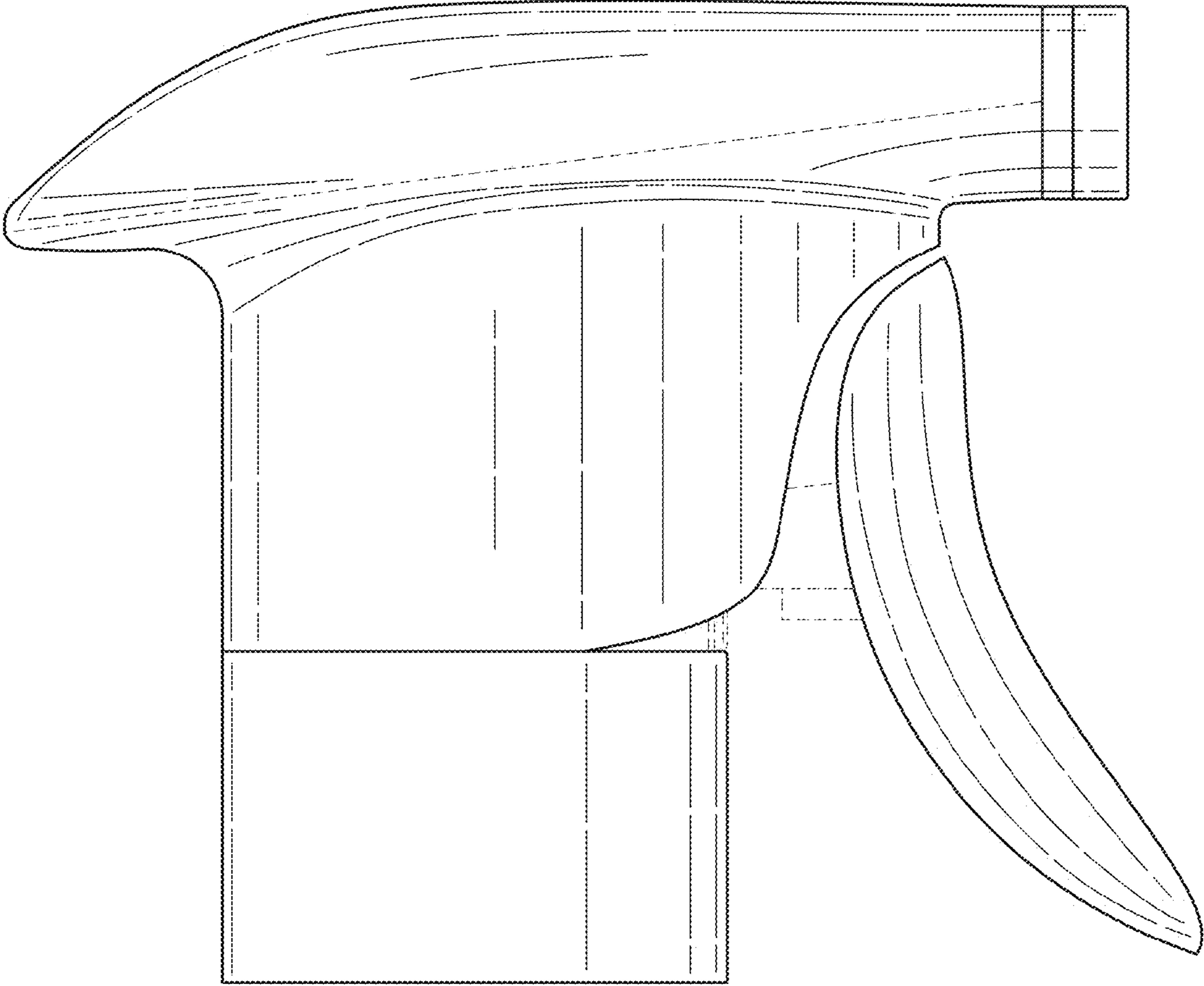


FIG.6

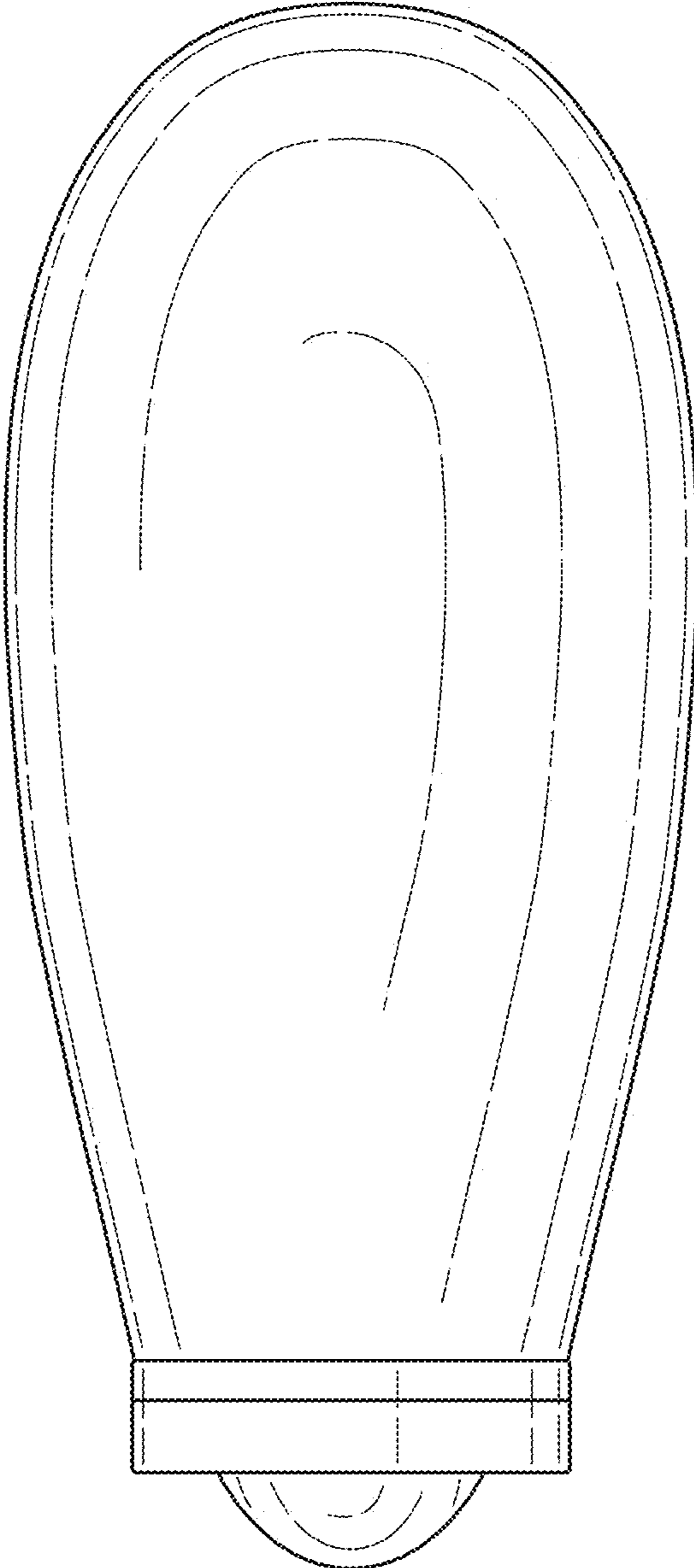


FIG.7

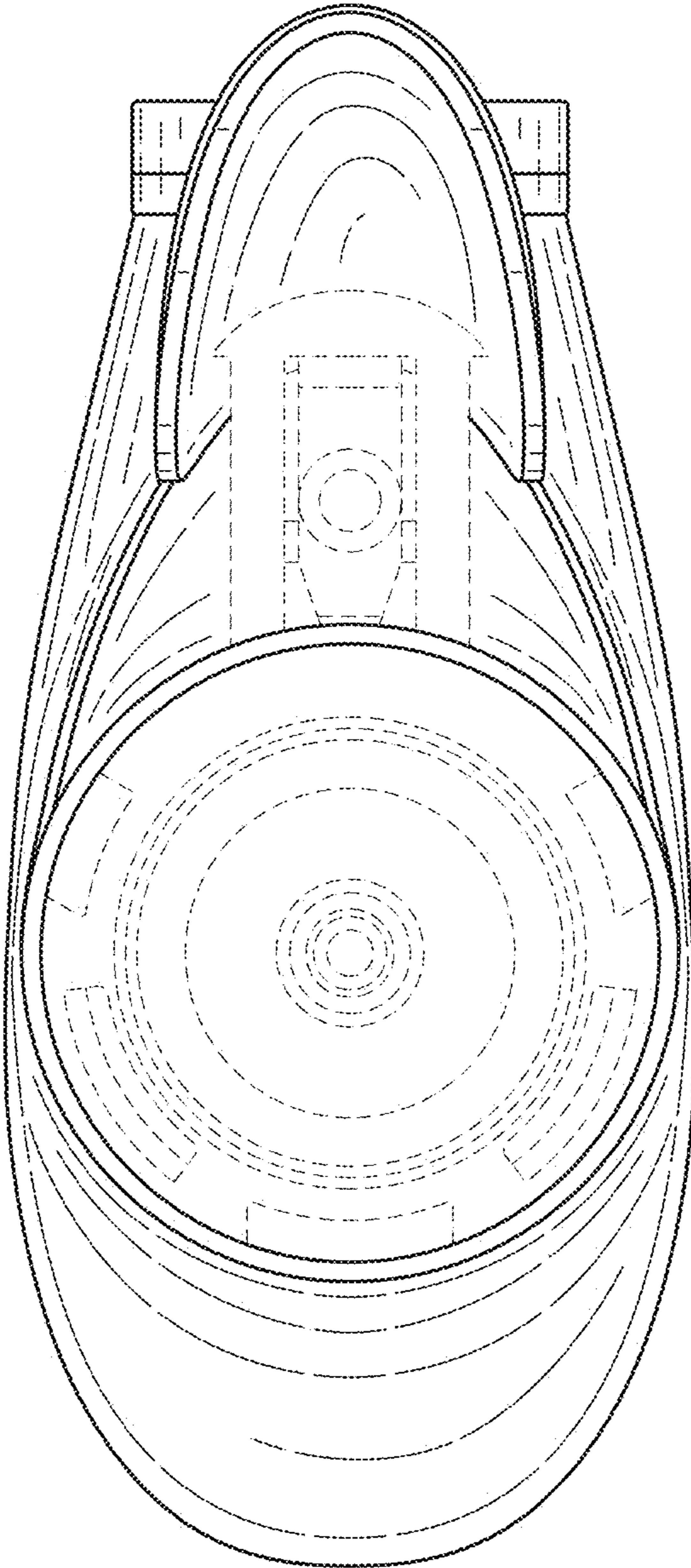


FIG.8