



US00D948339S

(12) **United States Design Patent** (10) **Patent No.:** **US D948,339 S**  
**Beegle et al.** (45) **Date of Patent:** **\*\* Apr. 12, 2022**

(54) **SPRAY CAP**

(71) Applicant: **Silgan Dispensing Systems Corporation**, Grandview, MO (US)

(72) Inventors: **Peter Beegle**, Midlothian, VA (US); **Daniel Choi**, Richmond, VA (US)

(73) Assignee: **Silgan Dispensing Systems Corporation**, Grandview, MO (US)

(\*\*) Term: **15 Years**

(21) Appl. No.: **29/726,440**

(22) Filed: **Mar. 3, 2020**

(51) **LOC (13) Cl.** ..... **09-07**

(52) **U.S. Cl.**  
USPC ..... **D9/448**

(58) **Field of Classification Search**  
USPC ..... D7/387, 391, 392, 392.1, 396.1, 396.2, D7/397, 398, 401.1, 415; D9/503, 504, D9/505, 516, 529, 548, 549, 434, 435, D9/436, 439, 440, 448, 453, 454, 726, D9/695, 696, 707, 708, 712, 447, 723, D9/724, 727; D19/115, 192, 194; D23/213, 226, 249, 255; D24/111, 112, D24/119, 127, 130, 141, 169, 193, 194, D24/196, 197, 199, 222, 224; D27/194  
CPC ..... B65D 47/103; B65D 43/0222; B65D 2543/00046; B65D 2543/00092; B65D 25/48; B65D 83/22; B65D 83/206; A47G 19/2272; B65B 1/04; B65B 29/06; B05B 11/3059; B05B 11/0027; B05B 11/0032; B05B 11/3004; B05B 11/3015; B05B 11/306; B05B 11/3064; G03B 11/041; F16M 11/08; A61J 1/06; A61J 1/065; A61J 1/2093; A61J 1/201

See application file for complete search history.

(56) **References Cited**

U.S. PATENT DOCUMENTS

D445,670 S *	7/2001	De Baschmakoff .....	D9/682
D525,123 S *	7/2006	Walters .....	B05B 11/3057
			D9/448
D539,142 S *	3/2007	Butler .....	D9/448
D580,760 S *	11/2008	Costa Quintas .....	D9/448
D584,616 S *	1/2009	Ribera Turro .....	D9/448
D589,795 S *	4/2009	Sweeton .....	D9/448
D652,299 S *	1/2012	Taylor .....	D9/448
D666,870 S *	9/2012	Nyambi .....	D7/398
D678,065 S *	3/2013	Baranowski .....	D9/448
D688,562 S *	8/2013	Baranowski .....	D9/685
D702,123 S *	4/2014	Sweeton .....	D9/448

(Continued)

OTHER PUBLICATIONS

Sustained Duration Sprayers: Site Visited [Mar. 23, 2021]. Available from Internet URL: <https://silgandispensing.com/products/bos-2-bos-2-remote/>.\*

*Primary Examiner* — Catherine S Posthauer  
(74) *Attorney, Agent, or Firm* — Barlow, Josephs & Holmes, Ltd.; Stephen J. Holmes

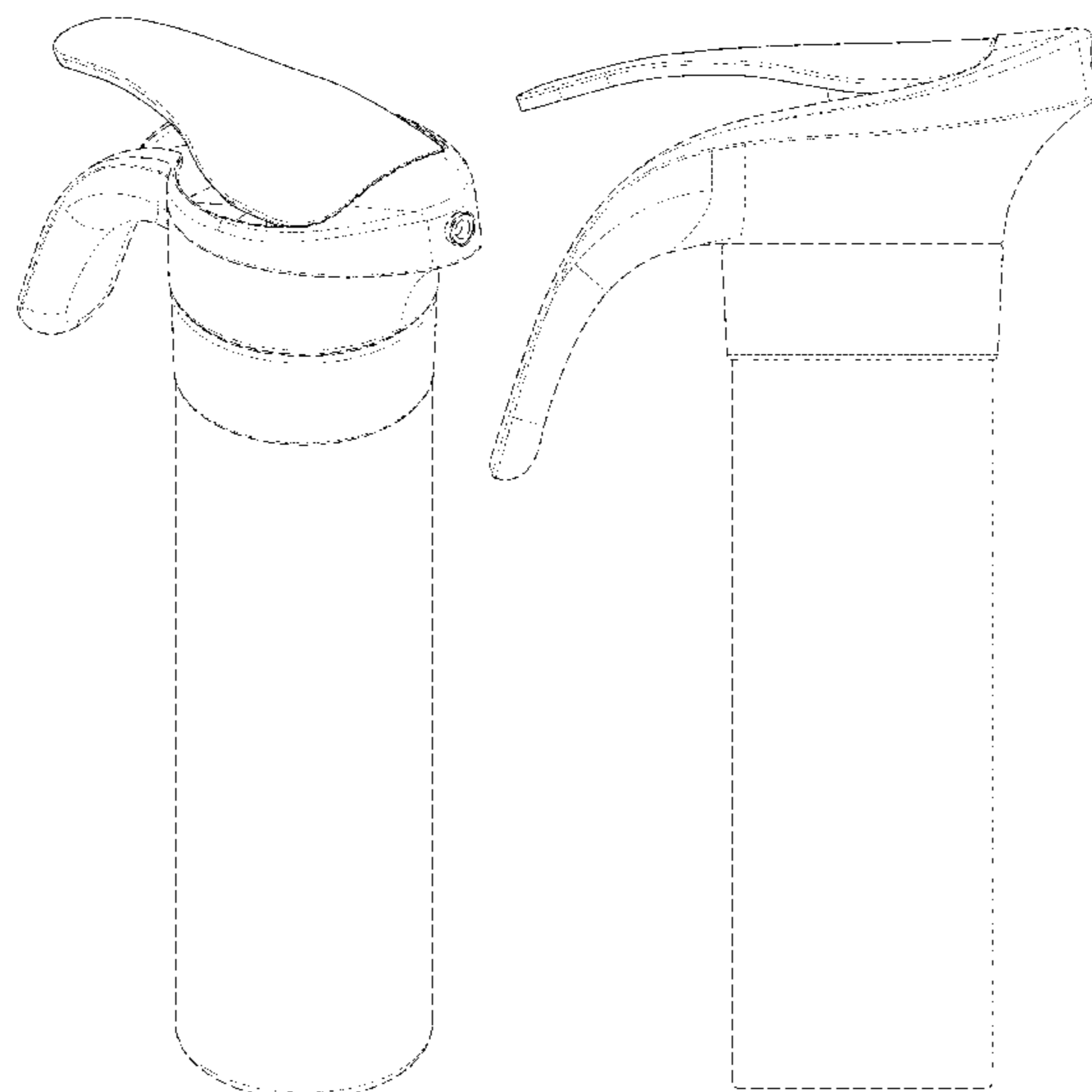
(57) **CLAIM**

The ornamental design for a spray cap, as shown and described.

**DESCRIPTION**

FIG. 1 is a perspective view of a spray cap in accordance with the present design with the cap body and a container shown in broken line;  
FIG. 2 is a rear view thereof;  
FIG. 3 is a right side view thereof;  
FIG. 4 is a left side view thereof; and,  
FIG. 5 is a top view thereof.  
The broken lines are shown for the purpose of illustrating both parts of the article as well as environmental subject matter. None of the broken lines form part of the claimed design.

**1 Claim, 5 Drawing Sheets**



(56)

References Cited

U.S. PATENT DOCUMENTS

D705,060 S \* 5/2014 Wang ..... B05B 11/3057  
D9/448  
D710,697 S \* 8/2014 Lind ..... D9/448  
D734,151 S \* 7/2015 Herbst ..... D9/448  
D746,135 S \* 12/2015 Lind ..... D9/448  
D758,878 S \* 6/2016 Hoeke ..... D9/682  
D761,650 S \* 7/2016 Hoeke ..... D9/448  
D794,451 S \* 8/2017 Boyne ..... D9/448  
D808,265 S \* 1/2018 Bloc ..... D9/448  
D866,326 S \* 11/2019 Tu ..... D9/448  
D867,136 S \* 11/2019 Tu ..... D9/448  
D873,137 S \* 1/2020 Takizawa ..... D9/448  
D905,553 S \* 12/2020 Lo ..... D9/448  
2004/0245208 A1 \* 12/2004 Dennison ..... B65D 1/023  
215/379  
2006/0113329 A1 \* 6/2006 Walters ..... B05B 11/3057  
222/383.1  
2006/0138176 A1 \* 6/2006 Lasserre ..... B05B 11/3057  
222/321.8  
2007/0119870 A1 \* 5/2007 Lasserre ..... B05B 11/3059  
222/321.8  
2008/0315018 A1 \* 12/2008 Withers ..... B05B 11/0037  
239/526  
2009/0127293 A1 \* 5/2009 De Laforcade ..... B05B 11/3059  
222/402.11  
2010/0140299 A1 \* 6/2010 Sweeton ..... B05B 11/303  
222/207  
2013/0153607 A1 \* 6/2013 Sell ..... B65D 83/22  
222/402.13  
2014/0110440 A1 \* 4/2014 Good ..... B65D 83/206  
222/402.13  
2019/0322442 A1 \* 10/2019 Thomsen ..... B65D 83/206

\* cited by examiner

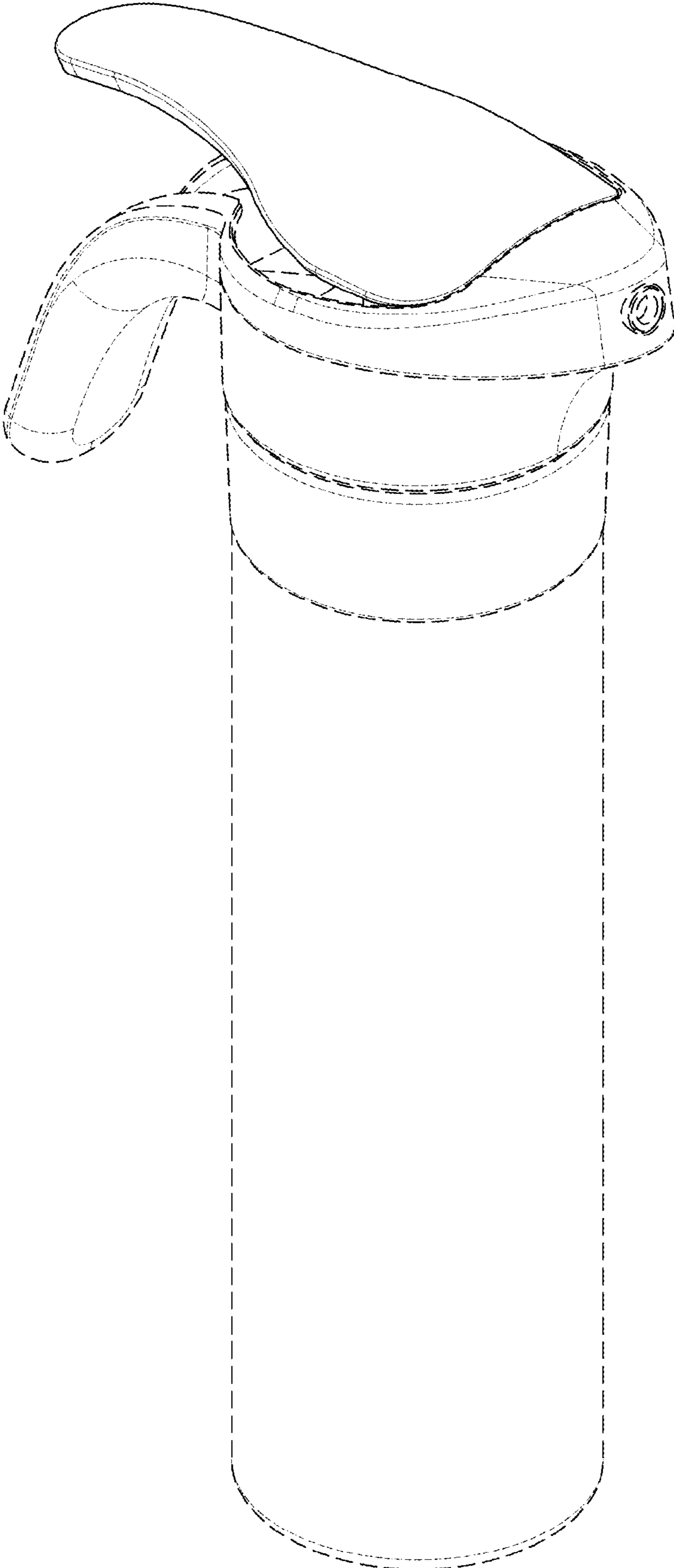


FIG. 1

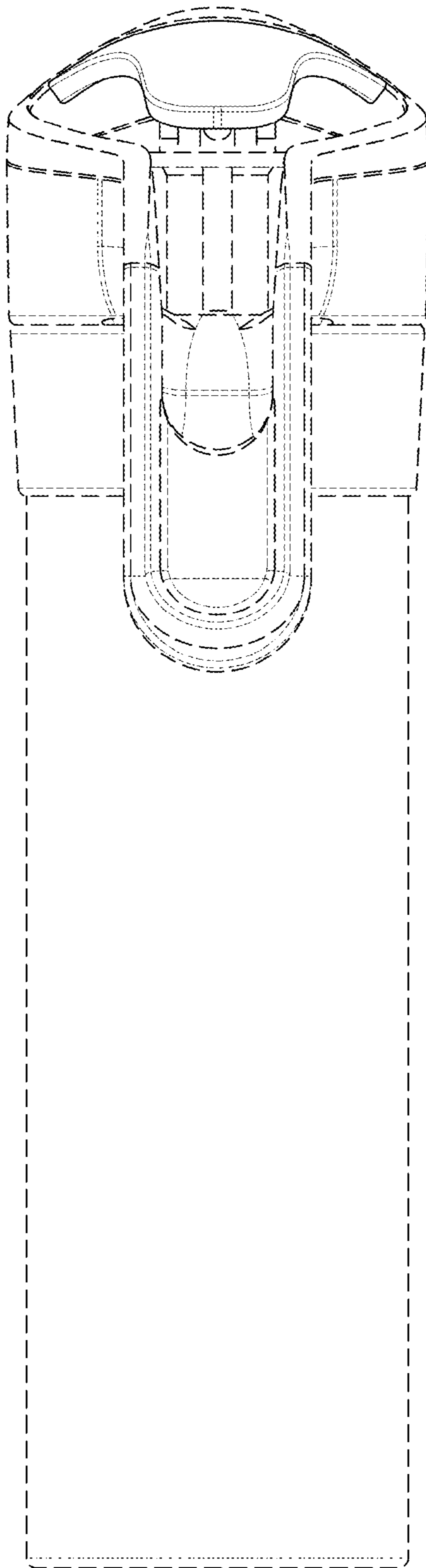


FIG. 2

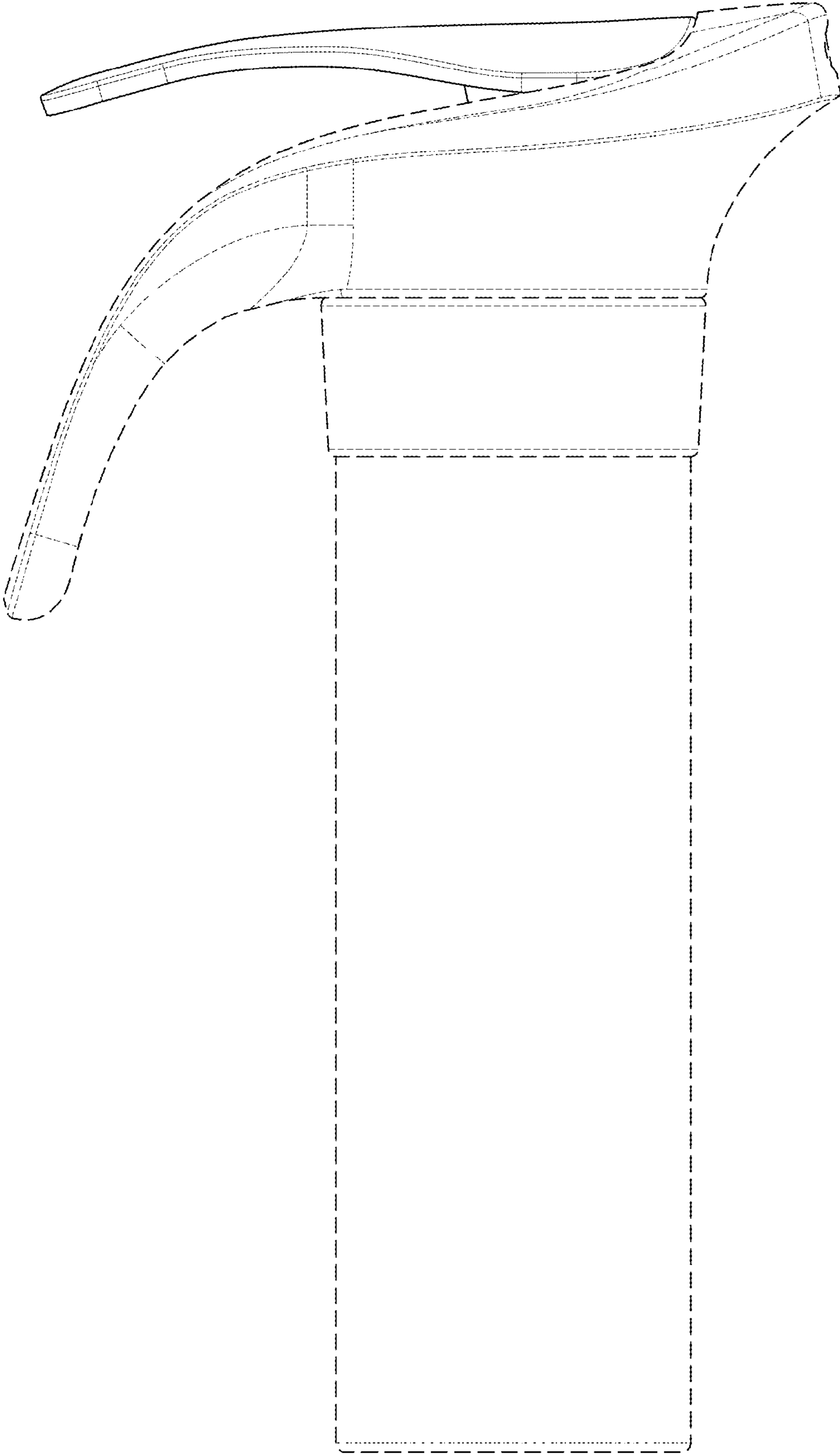


FIG. 3

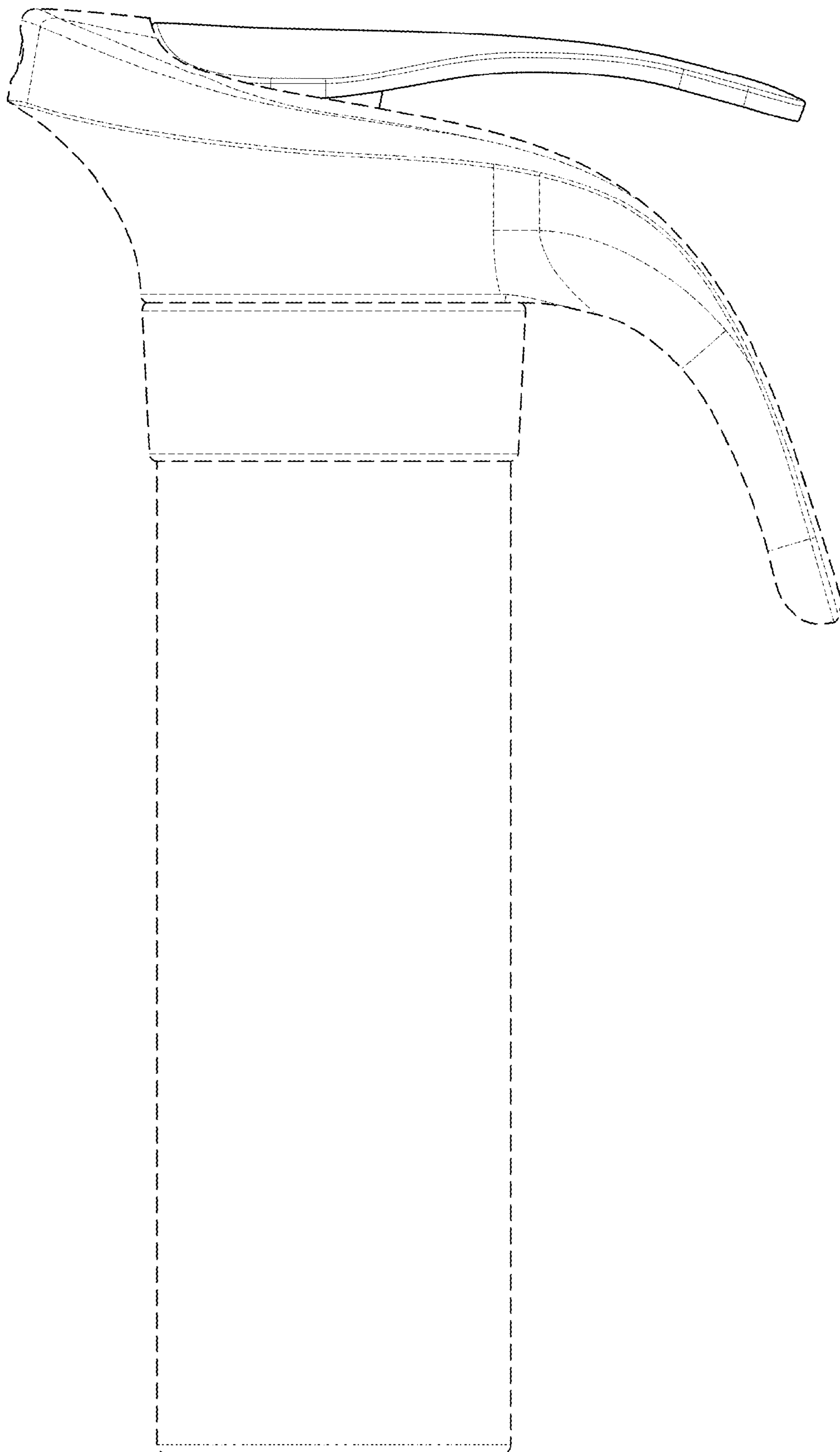


FIG. 4



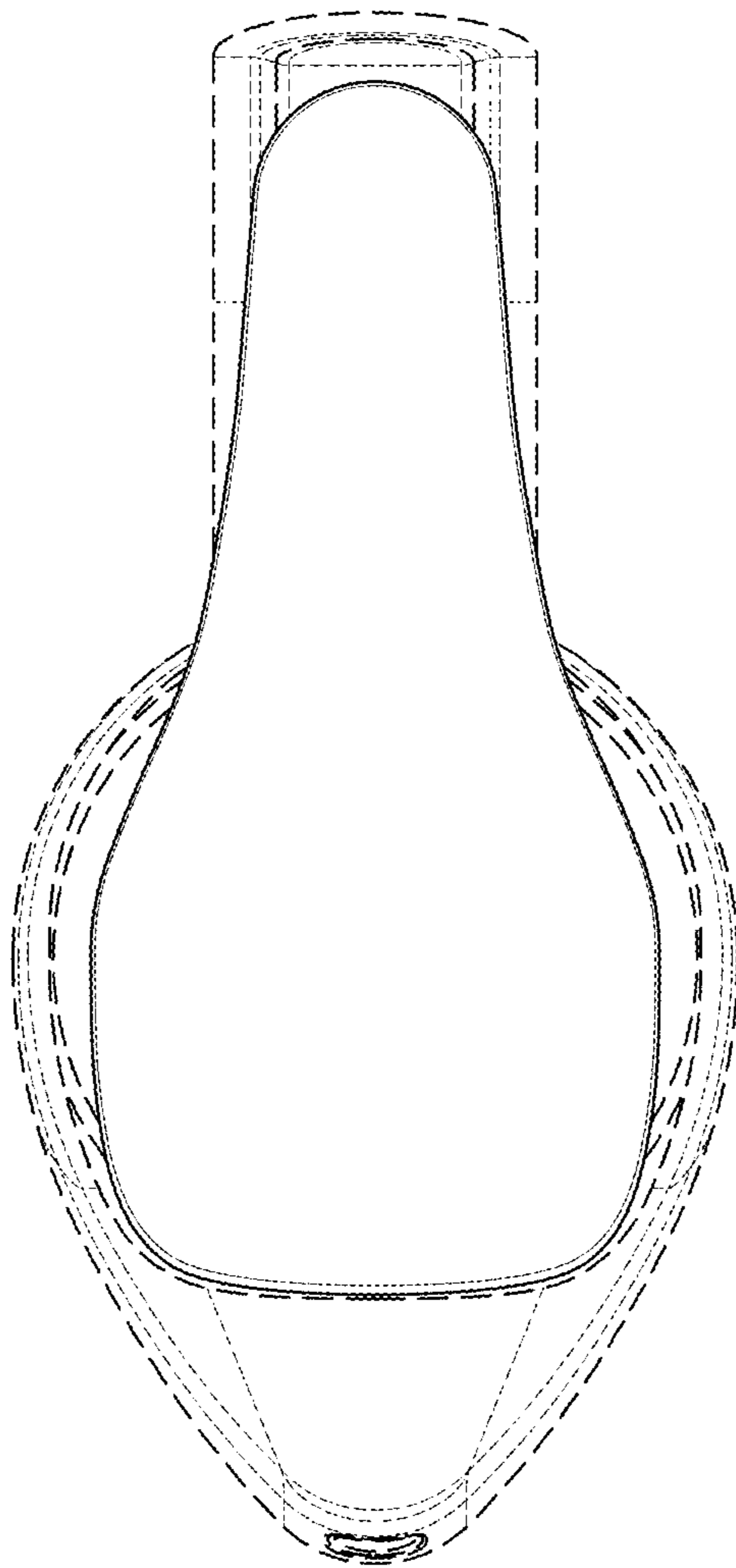


FIG. 5