



US00D948338S

(12) **United States Design Patent**
McCarthy et al.

(10) **Patent No.:** **US D948,338 S**

(45) **Date of Patent:** **** Apr. 12, 2022**

- (54) **LID**
- (71) Applicant: **TCB FLASH LLC**, Largo, FL (US)
- (72) Inventors: **Gloria McCarthy**, Largo, FL (US);
Michael McCarthy, Largo, FL (US)
- (73) Assignee: **TCB Flash, LLC**, Largo, FL (US)
- (**) Term: **15 Years**

- D827,437 S * 9/2018 Oakes D9/447
- D829,549 S * 10/2018 D'Amato D9/447
- 10,351,308 B1 * 7/2019 Schaefer B65D 51/1611
- D905,505 S * 12/2020 Lambert D7/507
- D921,423 S * 6/2021 Horgan D7/392.1
- D927,974 S * 8/2021 Lubbe D9/447
- 2008/0011762 A1 * 1/2008 Boone B65D 43/0212
220/713
- 2008/0061069 A1 * 3/2008 Edelstein B65D 43/0212
220/713
- 2009/0223981 A1 * 9/2009 Levey B65D 51/185
220/712

- (21) Appl. No.: **29/774,840**
- (22) Filed: **Mar. 19, 2021**
- (51) **LOC (13) Cl.** **09-07**
- (52) **U.S. Cl.**
USPC **D9/447**
- (58) **Field of Classification Search**
USPC D9/434, 435, 447, 454; D7/391, 392,
D7/392.1, 396.2, 509, 510, 511, 900
CPC .. A61J 1/00; A61J 1/1412; B65D 1/00; B65D
1/02; B65D 1/10; B65D 1/46; B65D
41/00; B65D 41/38; B65D 41/56; B65D
41/62; B65D 47/00; B65D 47/06; B65D
47/08; B65D 2251/00; B65D 2543/00046;
B65D 2543/00092; B65D 2543/00296
See application file for complete search history.

(Continued)

Primary Examiner — Wendy L Arminio

(74) *Attorney, Agent, or Firm* — Larson & Larson, P.A.;
Justin P. Miller; Frank Liebenow

(56) **References Cited**

U.S. PATENT DOCUMENTS

- D145,158 S * 7/1946 Derham D9/454
- D189,164 S * 11/1960 Hollister D9/447
- D358,294 S * 5/1995 Letica D7/392.1
- D424,937 S * 5/2000 Tucker D9/435
- D565,950 S * 4/2008 Mitchell D9/454
- D649,878 S * 12/2011 Weiss D9/447
- D666,490 S * 9/2012 Leon D9/447
- D716,654 S * 11/2014 Dubitsky D9/435
- D741,711 S * 10/2015 D'Amato D9/447
- D822,484 S * 7/2018 D'Amato D9/447

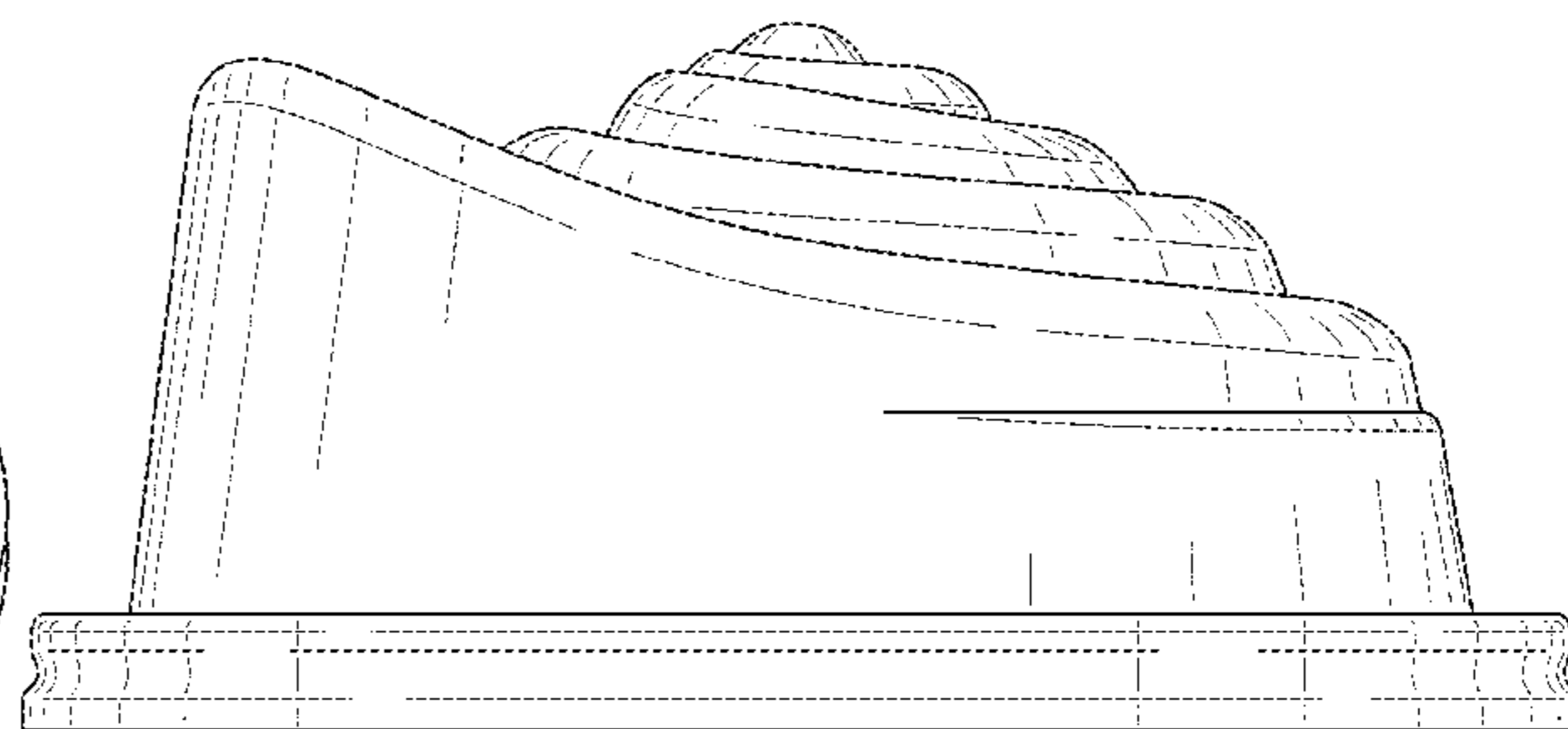
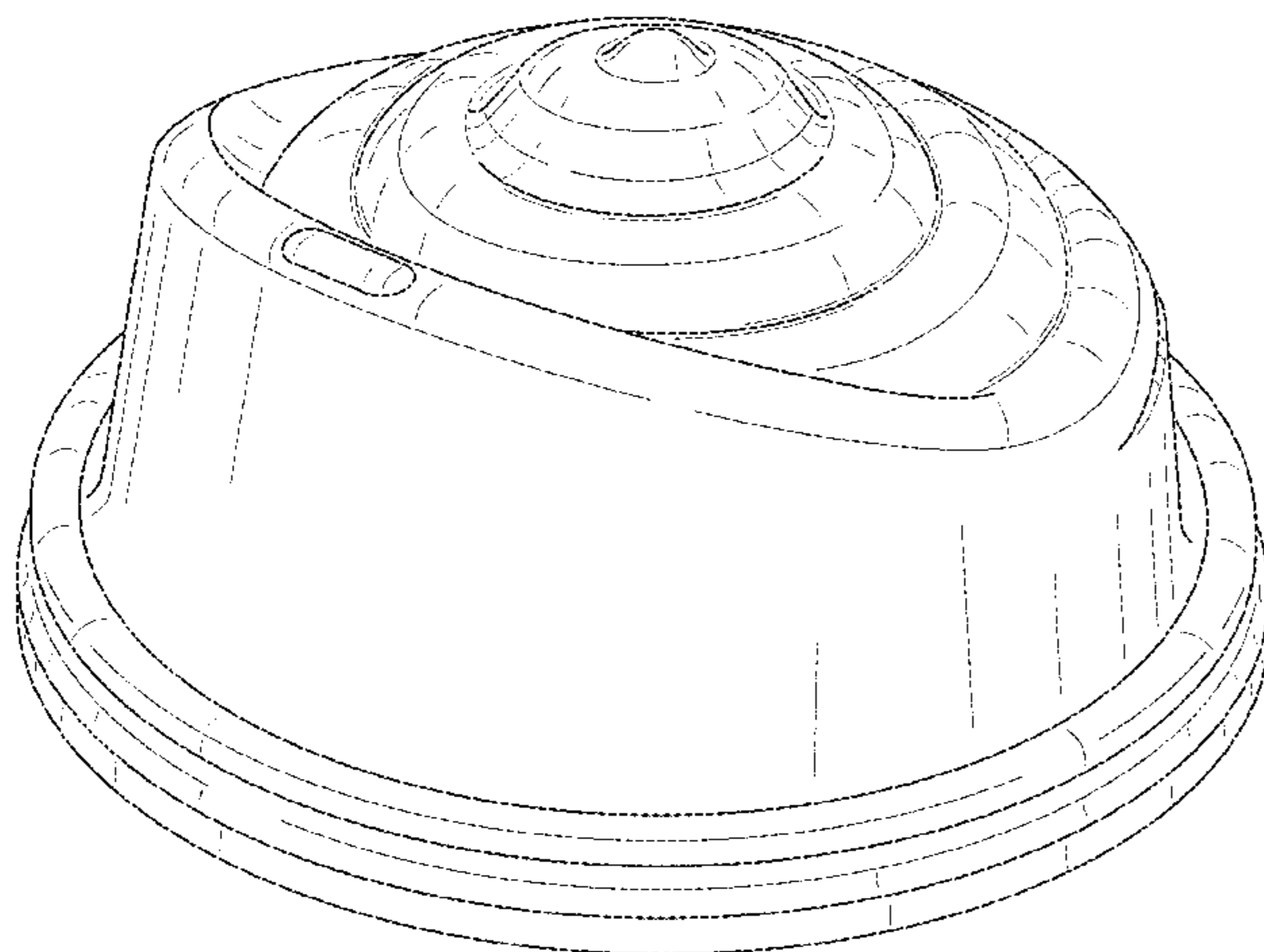
(57) **CLAIM**

We claim the ornamental design for a lid, as shown and described.

DESCRIPTION

FIG. 1 is a perspective view of a lid showing our new design;
 FIG. 2 is a front elevation view thereof;
 FIG. 3 is a back elevation thereof; bottom plan view thereof;
 FIG. 4 is a right-side elevation view thereof;
 FIG. 5 is a left-side elevation view thereof;
 FIG. 6 is a top plan view thereof;
 FIG. 7 is a front perspective view thereof, showing the lid in
 a position of use on an unclaimed cup drawn in broken lines;
 and,
 FIG. 8 is a back perspective view thereof, showing the lid in
 a position of use on an unclaimed cup drawn in broken lines.
 The broken lines showing a cup are included for the purpose
 of illustrating environmental structure and form no part of
 the claimed design. The bottom of the lid is unadorned and
 forms no part of the claimed design.

1 Claim, 6 Drawing Sheets



(56)

References Cited

U.S. PATENT DOCUMENTS

2013/0020338 A1* 1/2013 French B65D 43/0208
220/713
2016/0198875 A1* 7/2016 Mithal B65D 43/0212
220/713
2020/0283203 A1* 9/2020 Simms, II B65D 43/0212

* cited by examiner

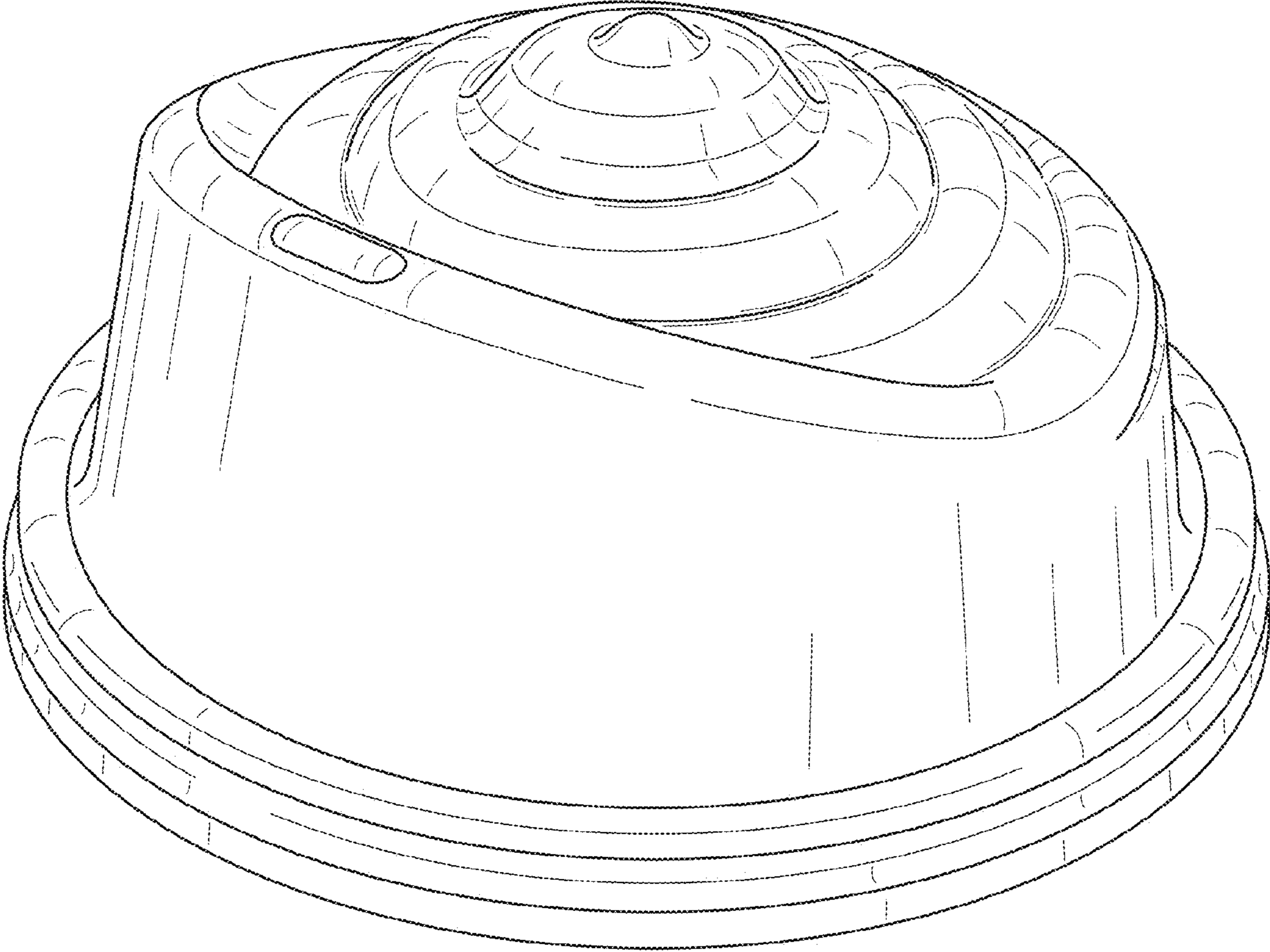


FIG. 1

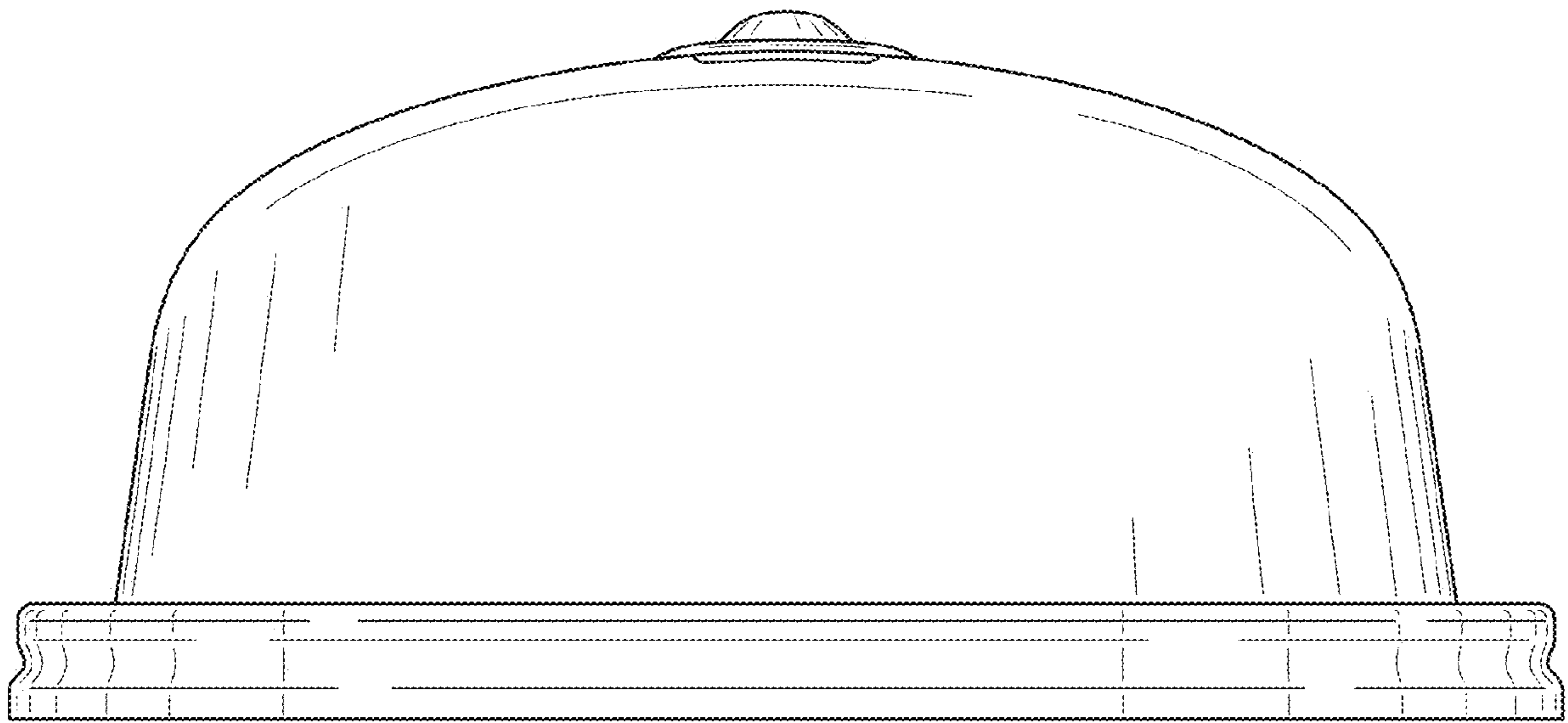


FIG. 2

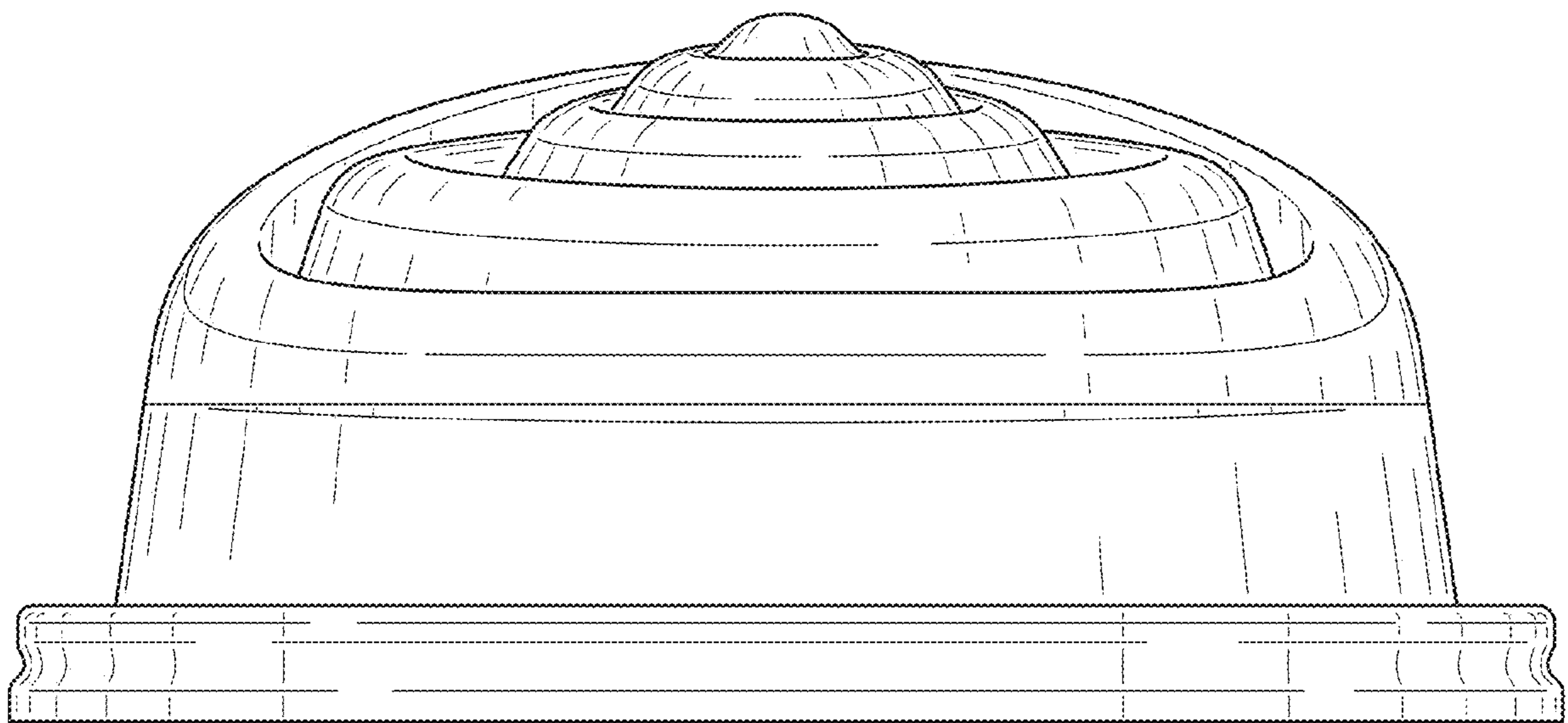


FIG. 3

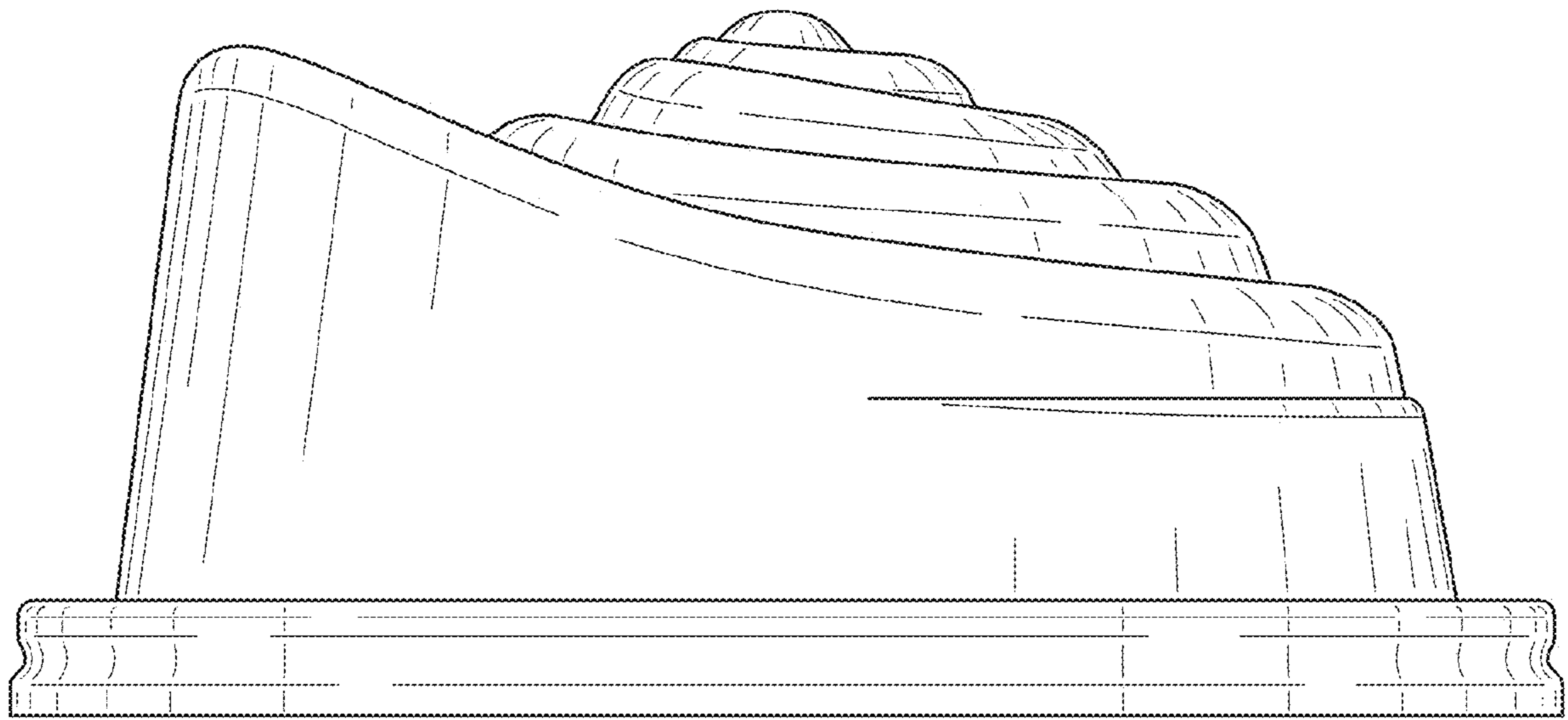


FIG. 4

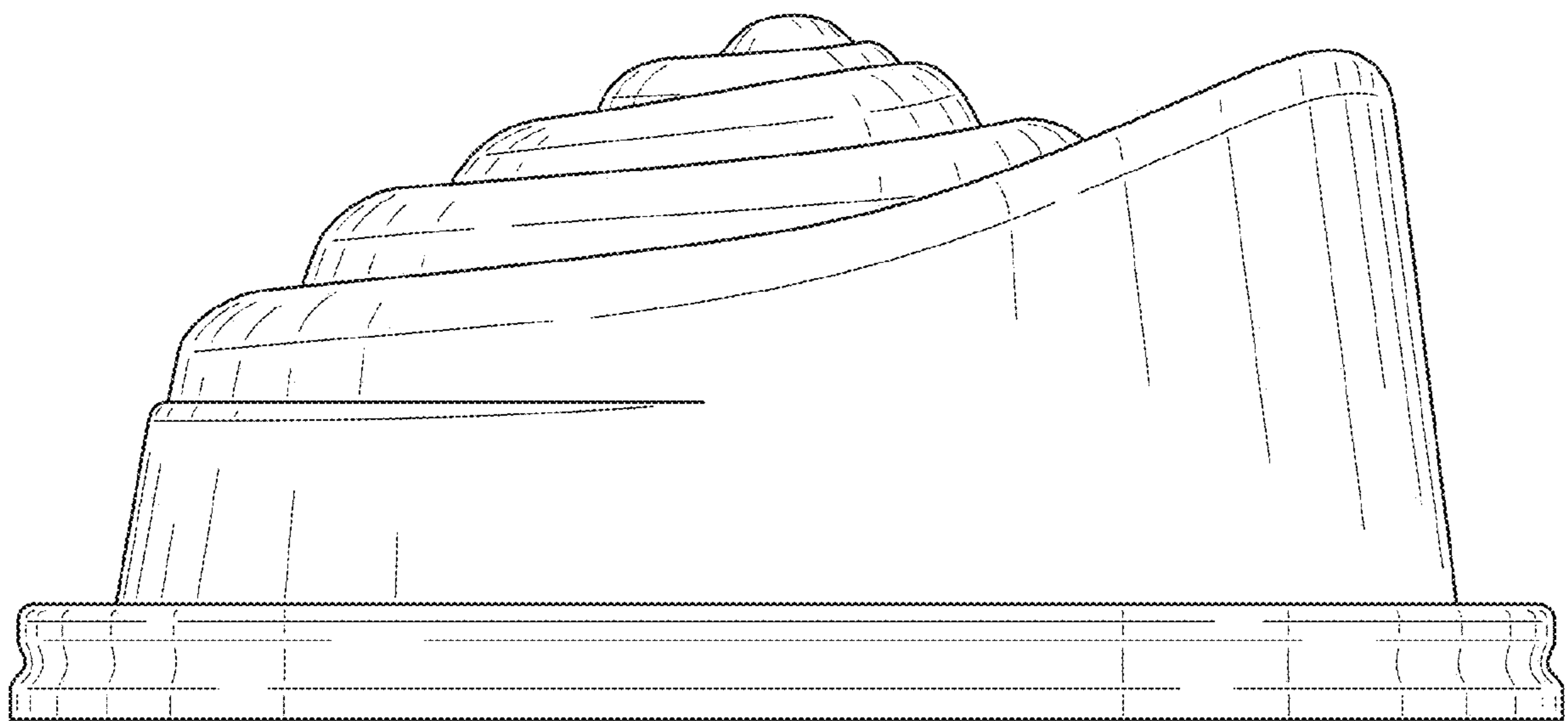


FIG. 5

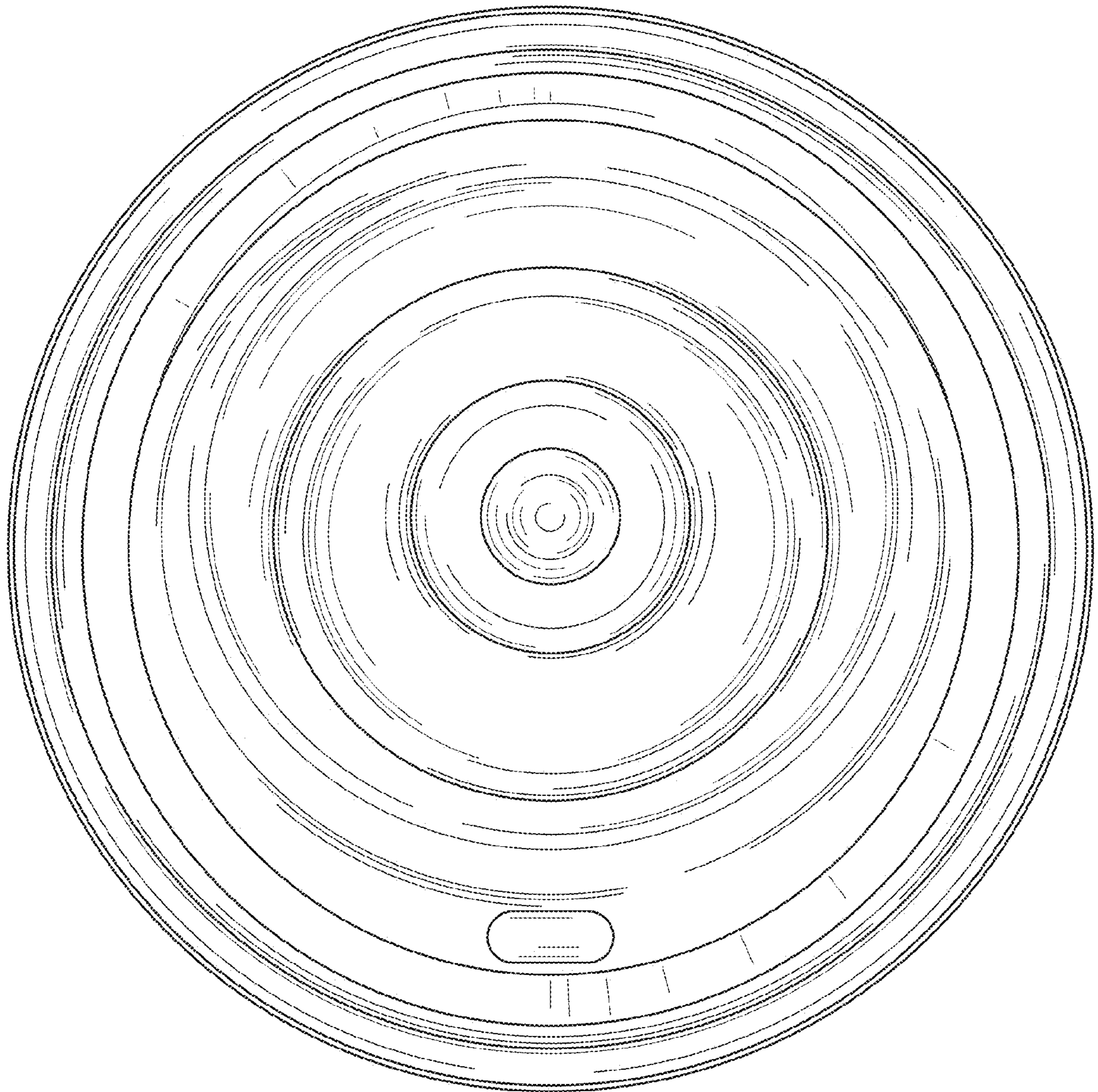


FIG. 6

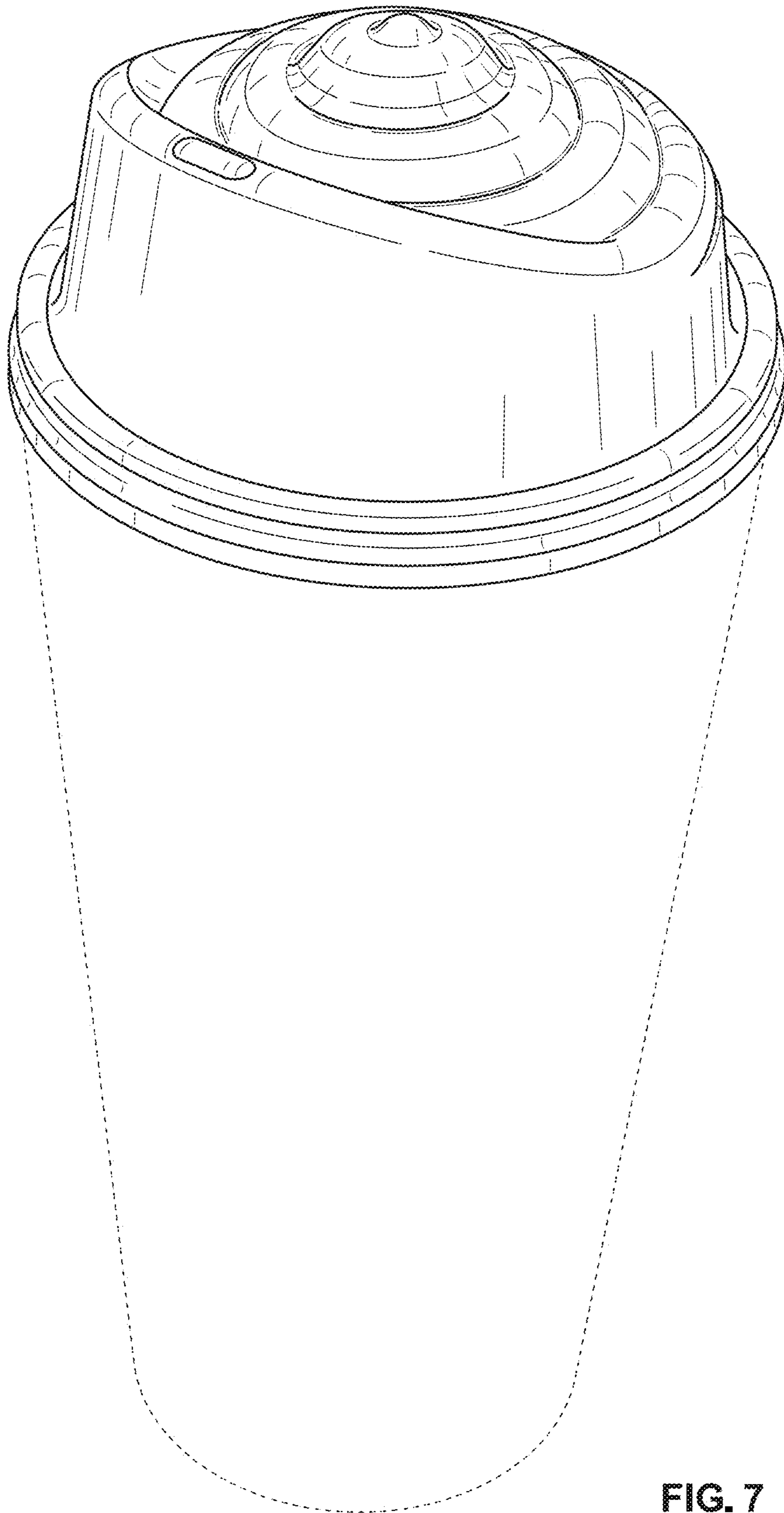


FIG. 7

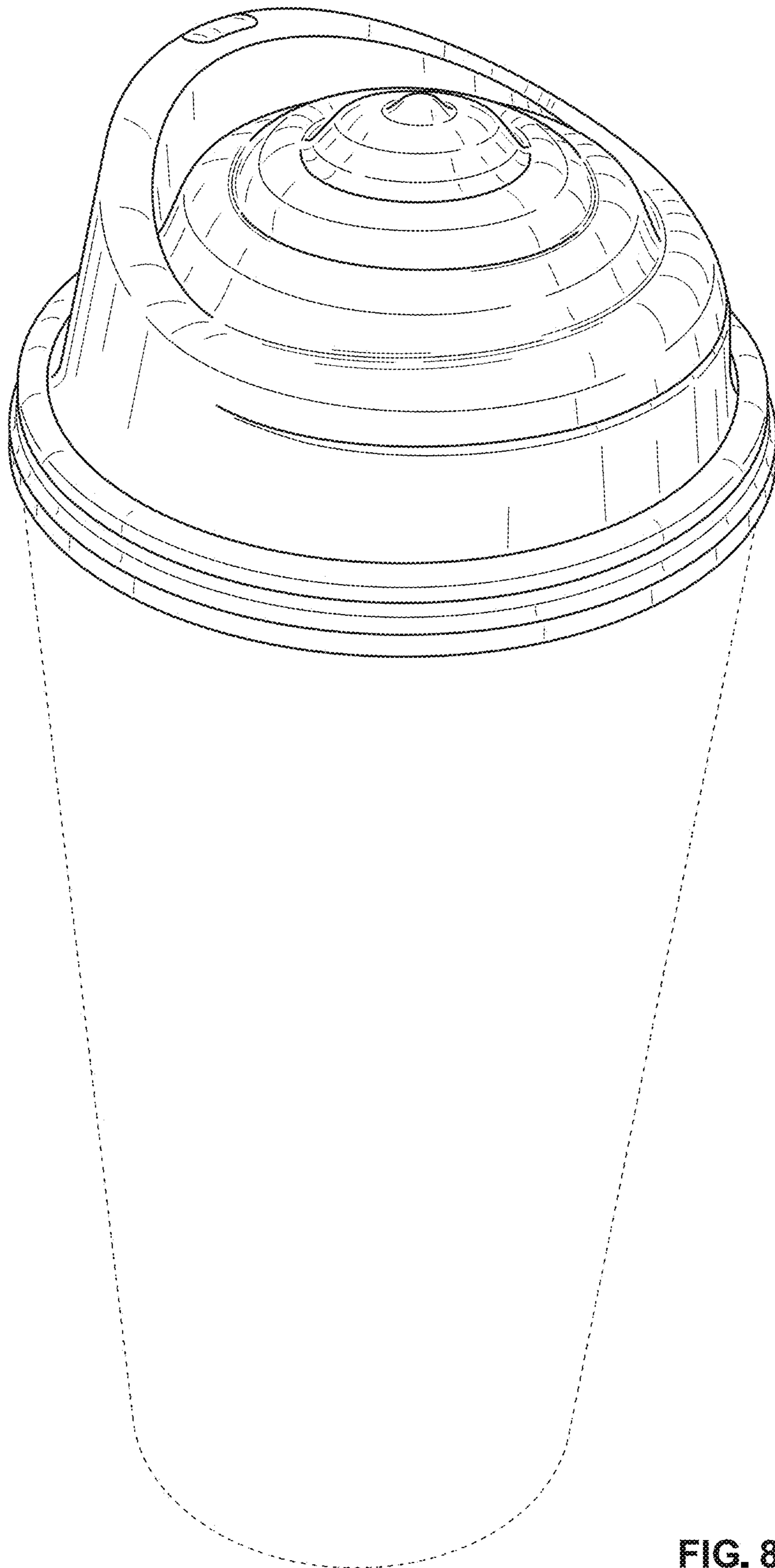


FIG. 8