



US00D948336S

(12) **United States Design Patent** (10) **Patent No.:** **US D948,336 S**  
**Anis-Mohamed** (45) **Date of Patent:** **\*\* Apr. 12, 2022**

(54) **BOX**

(71) Applicant: **Terry Anis-Mohamed**, Indian Rocks Beach, FL (US)

(72) Inventor: **Terry Anis-Mohamed**, Indian Rocks Beach, FL (US)

(\*\*) Term: **15 Years**

(21) Appl. No.: **29/746,558**

(22) Filed: **Aug. 14, 2020**

(51) **LOC (13) Cl.** ..... **09-03**

(52) **U.S. Cl.**  
USPC ..... **D9/432**; D9/420; D9/433

(58) **Field of Classification Search**  
USPC ..... D9/414–418, 420, 422, 423, 430, 424, D9/426, 432, 433, 456, 499, 500, 700, D9/721, 722, 731, 753, 768, 770, 771, D9/419, 421, 427, 429, 737, 749, 755, D9/759, 760; D3/203.1–203.3; D19/1, 2, D19/3, 26, 34.1, 34.2  
CPC ... B65D 85/48; B65D 5/0245; B65D 77/0433  
See application file for complete search history.

(56) **References Cited**

**U.S. PATENT DOCUMENTS**

3,211,359 A \* 10/1965 Fickes ..... B65D 5/0245  
206/424  
D229,485 S \* 12/1973 Petersen ..... D9/416  
(Continued)

**OTHER PUBLICATIONS**

Youtube. Wine Box Insert 10 Pack Item #07676599. Posted by Paper Mart. Published Jan. 21, 2020. Visited Oct. 29, 2021. [https://www.youtube.com/watch?v=MK4MABP\\_3AU](https://www.youtube.com/watch?v=MK4MABP_3AU) (Year: 2020).  
(Continued)

*Primary Examiner* — Darcey E Gottschalk  
*Assistant Examiner* — Vanessa M. Pursley

(74) *Attorney, Agent, or Firm* — Larson & Larson, P.A.; Justin P. Miller; Frank Liebenow

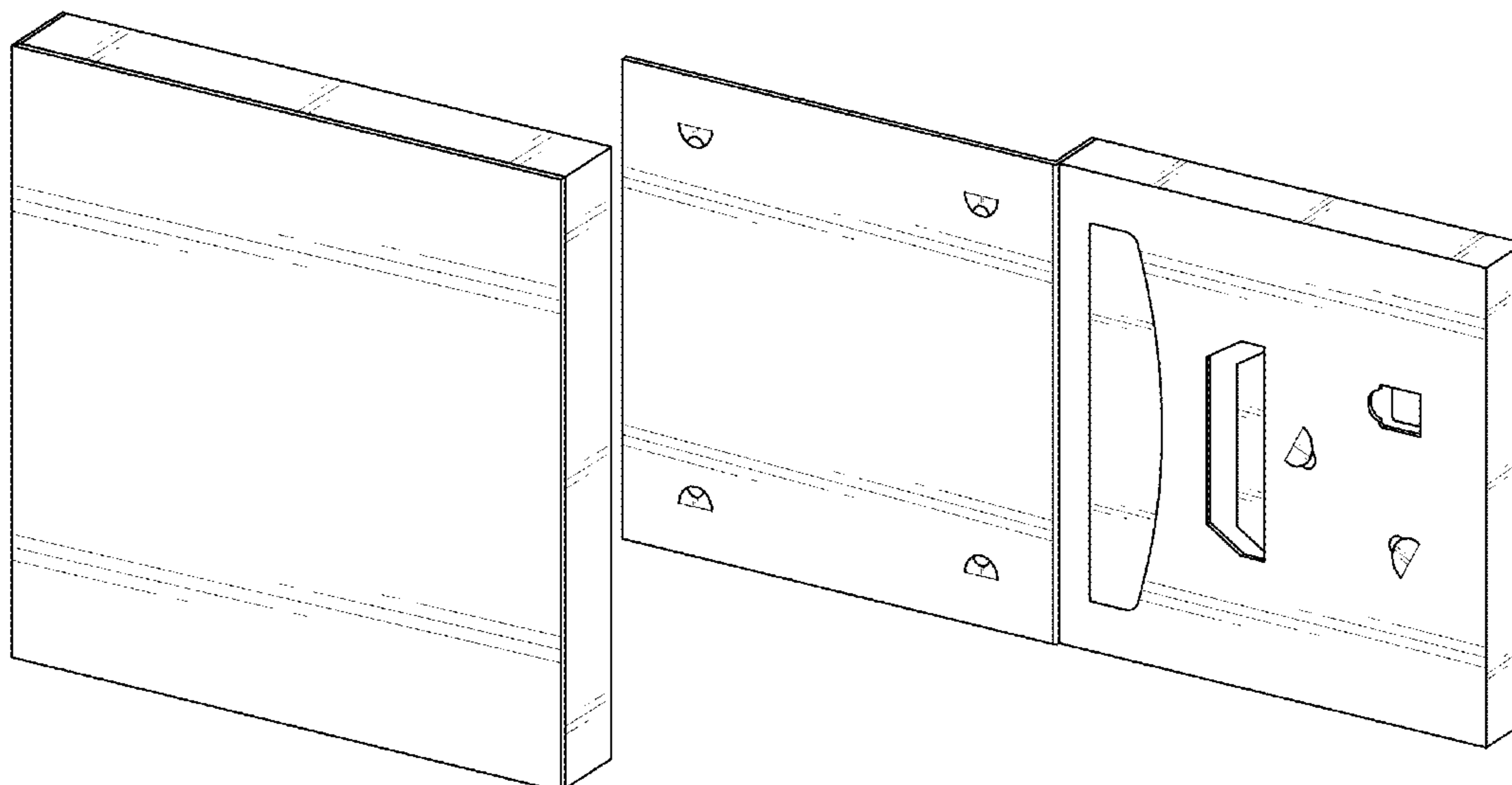
(57) **CLAIM**

I claim the ornamental design for a box, as shown and described.

**DESCRIPTION**

FIG. 1 is a perspective view of a box showing my new design;  
FIG. 2 is a front elevation view thereof;  
FIG. 3 is a back elevation view thereof;  
FIG. 4 is a right-side elevation view thereof;  
FIG. 5 is a left-side elevation thereof;  
FIG. 6 is a top plan view thereof;  
FIG. 7 is a bottom plan elevation view thereof;  
FIG. 8 is a perspective view showing the box in an open position;  
FIG. 9 is a front elevation view showing the box in an open position;  
FIG. 10 is a back elevation view showing the box in an open position;  
FIG. 11 is a right-side elevation view showing the box in an open position;  
FIG. 12 is a left-side elevation view showing the box in an open position;  
FIG. 13 is a bottom plan view showing the box in an open position;  
FIG. 14 is a top plan view showing the box in an open position;  
FIG. 15 is a perspective view showing the box in an open position with cutouts; and,  
FIG. 16 is a top plan view showing the box prior to folding. The broken lines in FIG. 15 depicting items for placement inside the box are for the purpose of illustrating the unclaimed portions of the article and form no part of the claimed design.

**1 Claim, 16 Drawing Sheets**



(56)

References Cited

U.S. PATENT DOCUMENTS

3,791,571 A \* 2/1974 Pilz, III ..... B65D 5/0245  
 206/424  
 D264,684 S \* 6/1982 Hunckler ..... D9/418  
 D268,098 S \* 3/1983 Brown ..... D9/418  
 D339,287 S \* 9/1993 Levin ..... D9/432  
 D362,972 S \* 10/1995 Wunsch ..... D9/737  
 D382,199 S \* 8/1997 Webinger ..... D9/634  
 D387,976 S \* 12/1997 Mori ..... D6/634  
 D390,108 S \* 2/1998 Landis ..... D9/415  
 D398,527 S \* 9/1998 Maceachern ..... D9/420  
 D420,586 S \* 2/2000 MacEachern ..... D9/420  
 D489,255 S \* 5/2004 Kratzert ..... D9/432  
 D586,209 S \* 2/2009 Cadmus ..... D9/433  
 D607,717 S \* 1/2010 Hodges ..... D9/423  
 7,780,001 B2 \* 8/2010 Seko ..... G11B 33/0422  
 206/312  
 D635,321 S \* 3/2011 Eustis ..... D34/39  
 D645,735 S \* 9/2011 Clark ..... D9/423  
 D652,294 S \* 1/2012 Seneca ..... D9/433  
 D730,963 S \* 6/2015 Lin ..... D16/200  
 D750,478 S \* 3/2016 Kiss ..... D9/423  
 D755,624 S \* 5/2016 Ng ..... D9/431

D829,095 S \* 9/2018 McKenna ..... D9/432  
 D831,330 S \* 10/2018 Kim ..... D3/203.1  
 D833,734 S \* 11/2018 Binder ..... D3/203.6  
 D866,311 S \* 11/2019 Ito ..... D9/416  
 D868,578 S \* 12/2019 Casilio ..... D9/421  
 D874,921 S \* 2/2020 Zhao ..... D9/420  
 D897,837 S \* 10/2020 Kenworthy ..... D9/432  
 D897,838 S \* 10/2020 Kenworthy ..... D9/432  
 D905,550 S \* 12/2020 Noda ..... D9/432  
 D913,785 S \* 3/2021 Kelly ..... D9/432  
 D927,846 S \* 8/2021 Matthews ..... D3/203.1

OTHER PUBLICATIONS

U.S. Box Corp. Platform Giftcard Boxes. Retrieved from Web Archive. Archival date Jul. 8, 2018. Visited Oct. 29, 2021. <https://web.archive.org/web/20180608124443/http://www.usbox.com/Boxes/Platform-Giftcard-Boxes/OLV> (Year: 2018).\*

Colorfast Printing. Product Packaging Design and Printing—Tampa Bay. Publication date unavailable. Visited Oct. 29, 2021. <https://colorfastprint.com/color-fast-print-product-packaging-tampa.php> (Year: 0).\*

\* cited by examiner

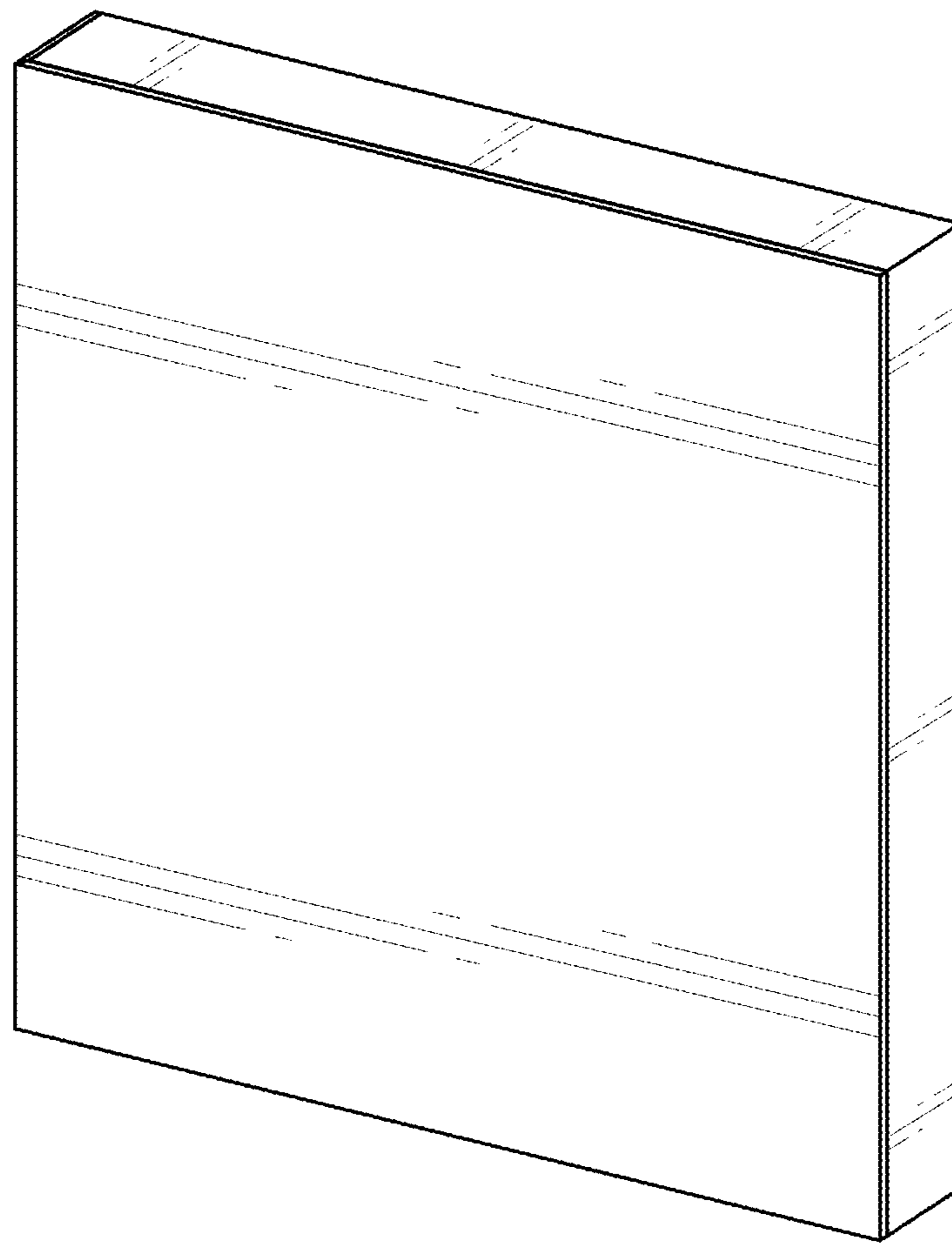


FIG. 1

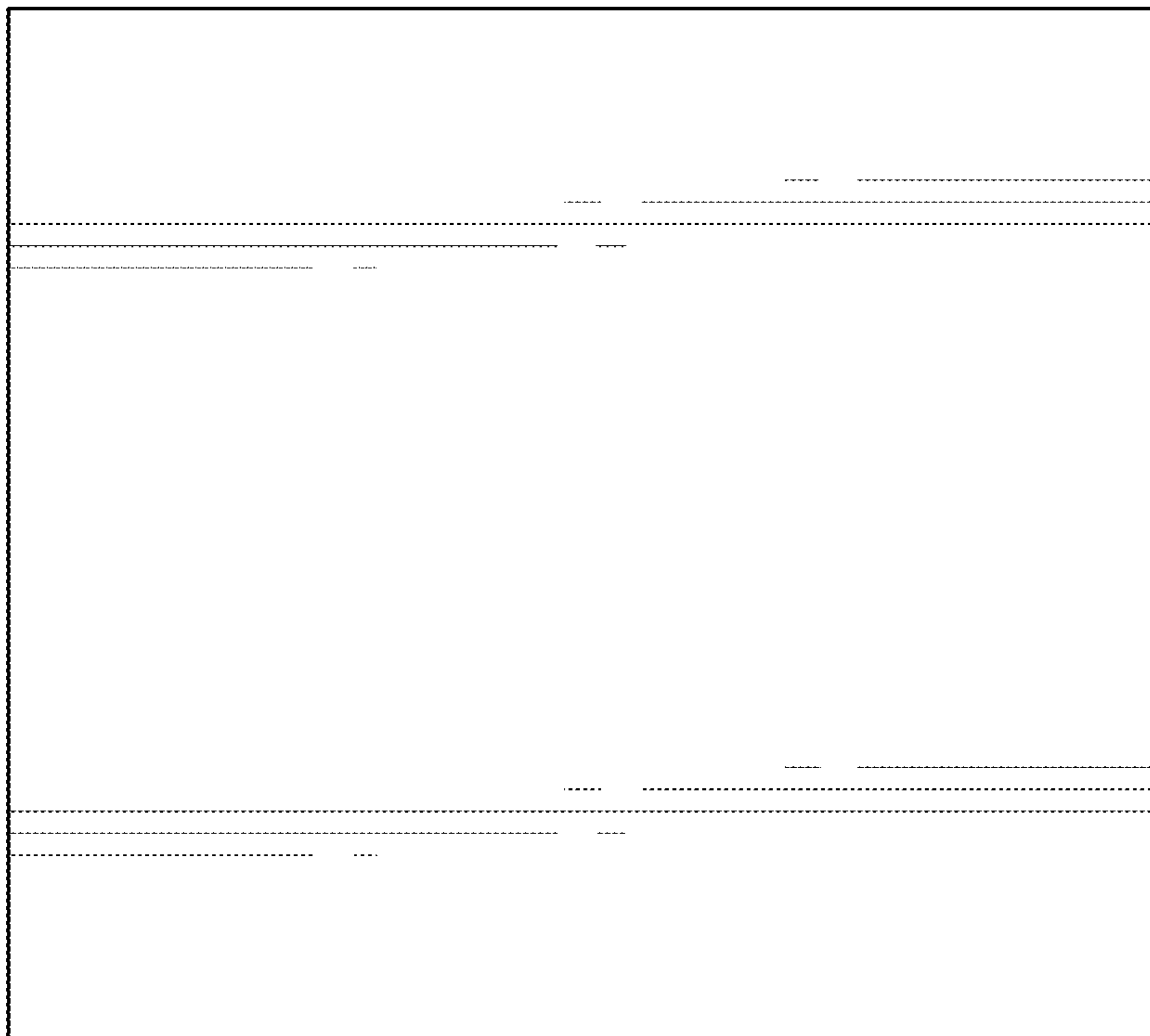


FIG. 2

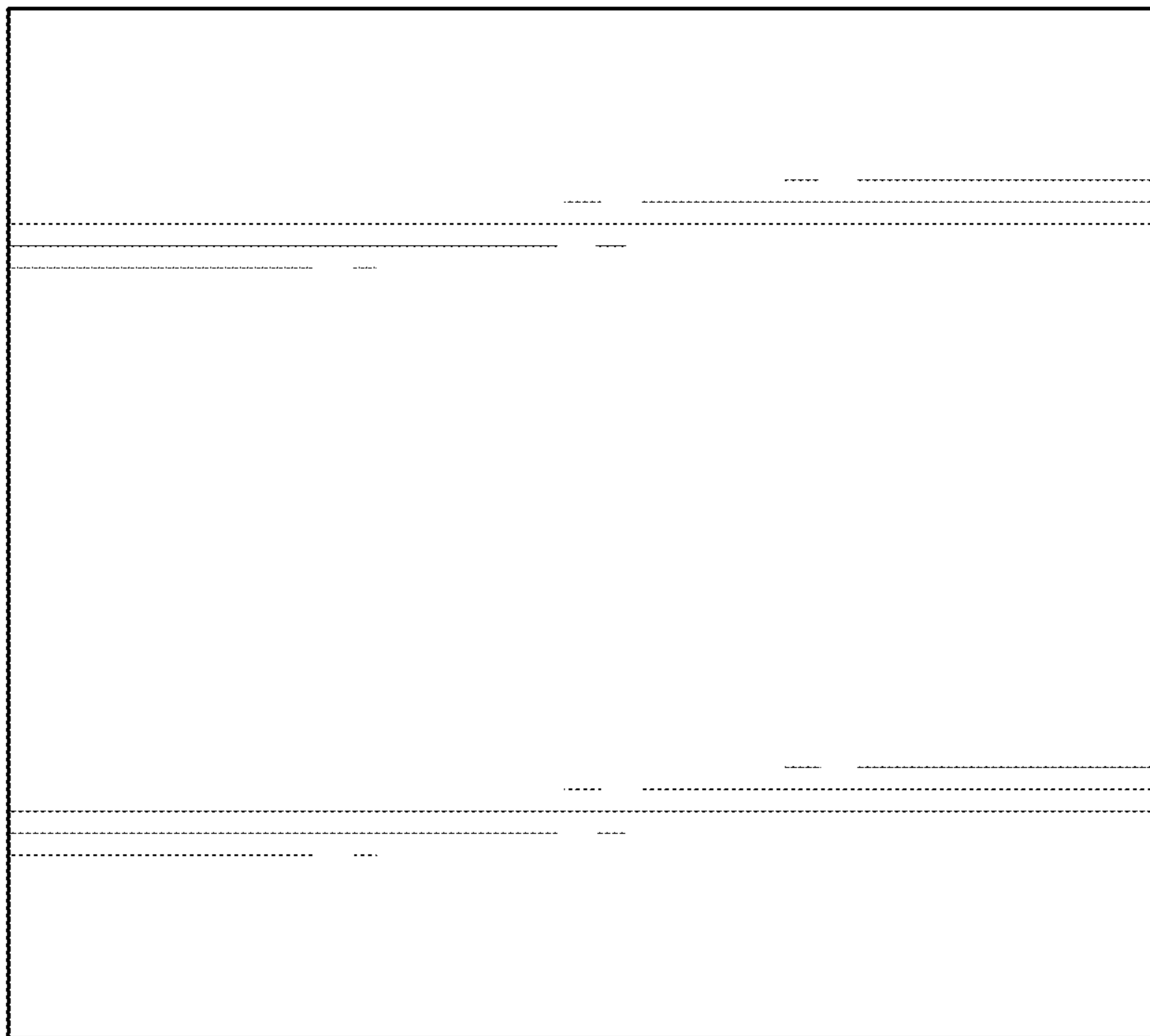


FIG. 3

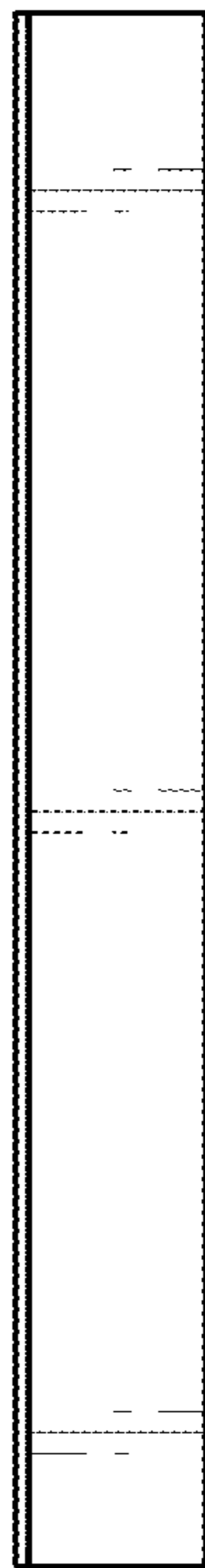


FIG. 4

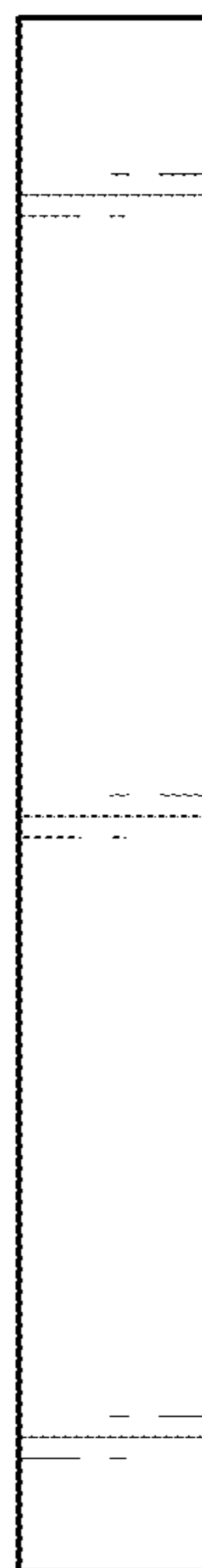


FIG. 5

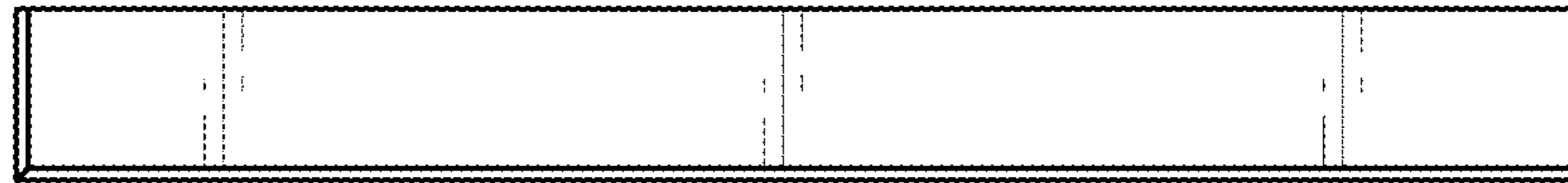


FIG. 6



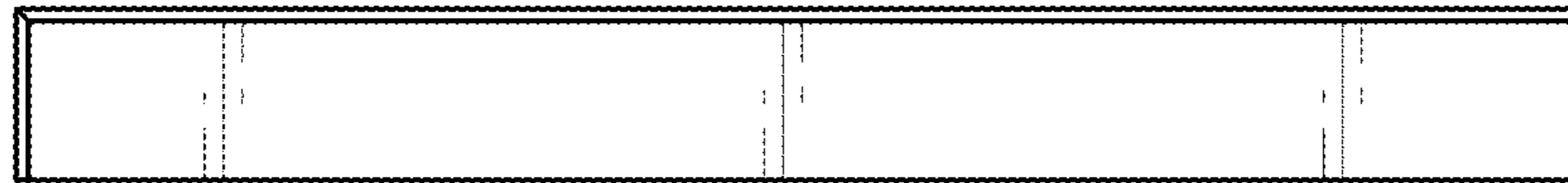


FIG. 7

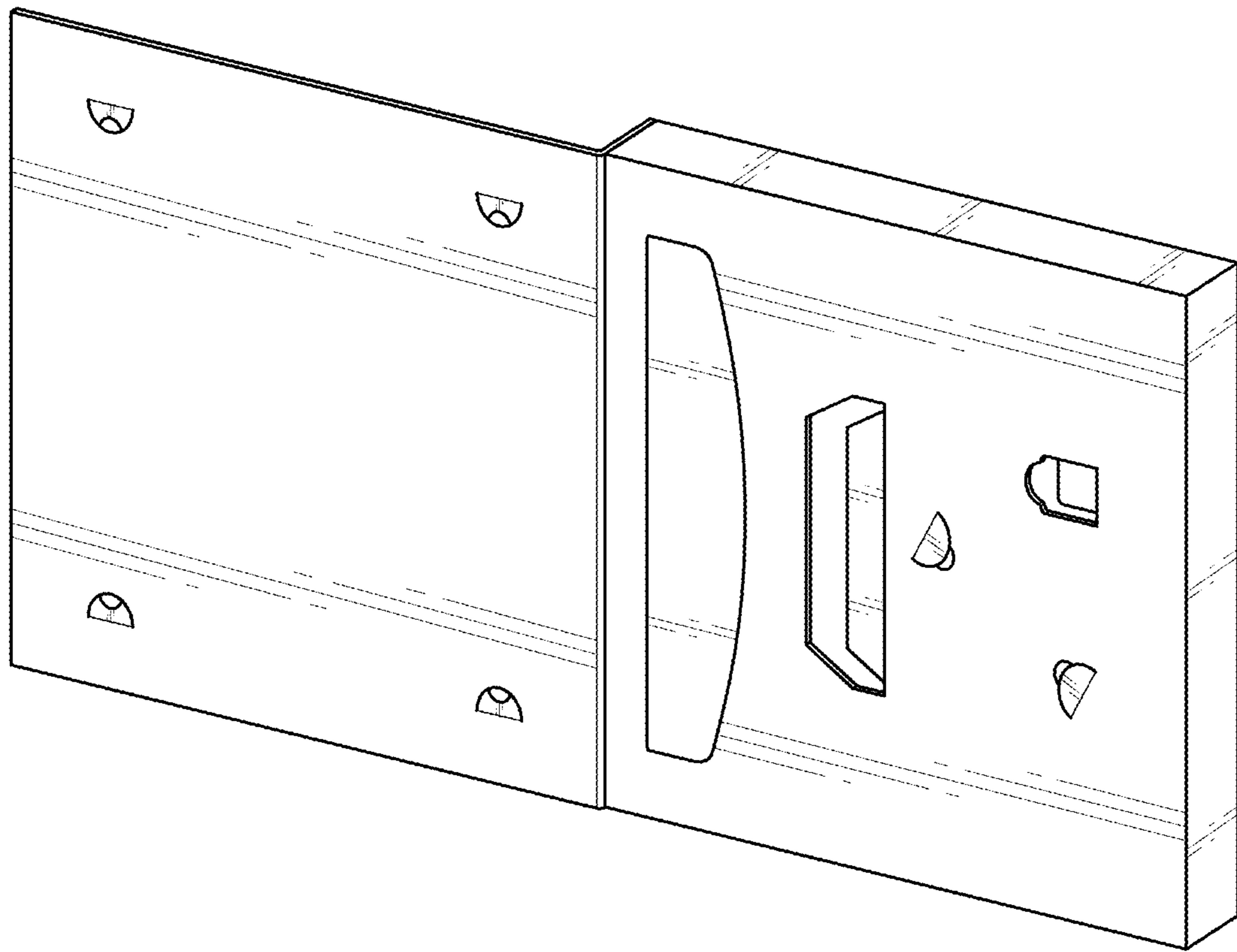


FIG. 8

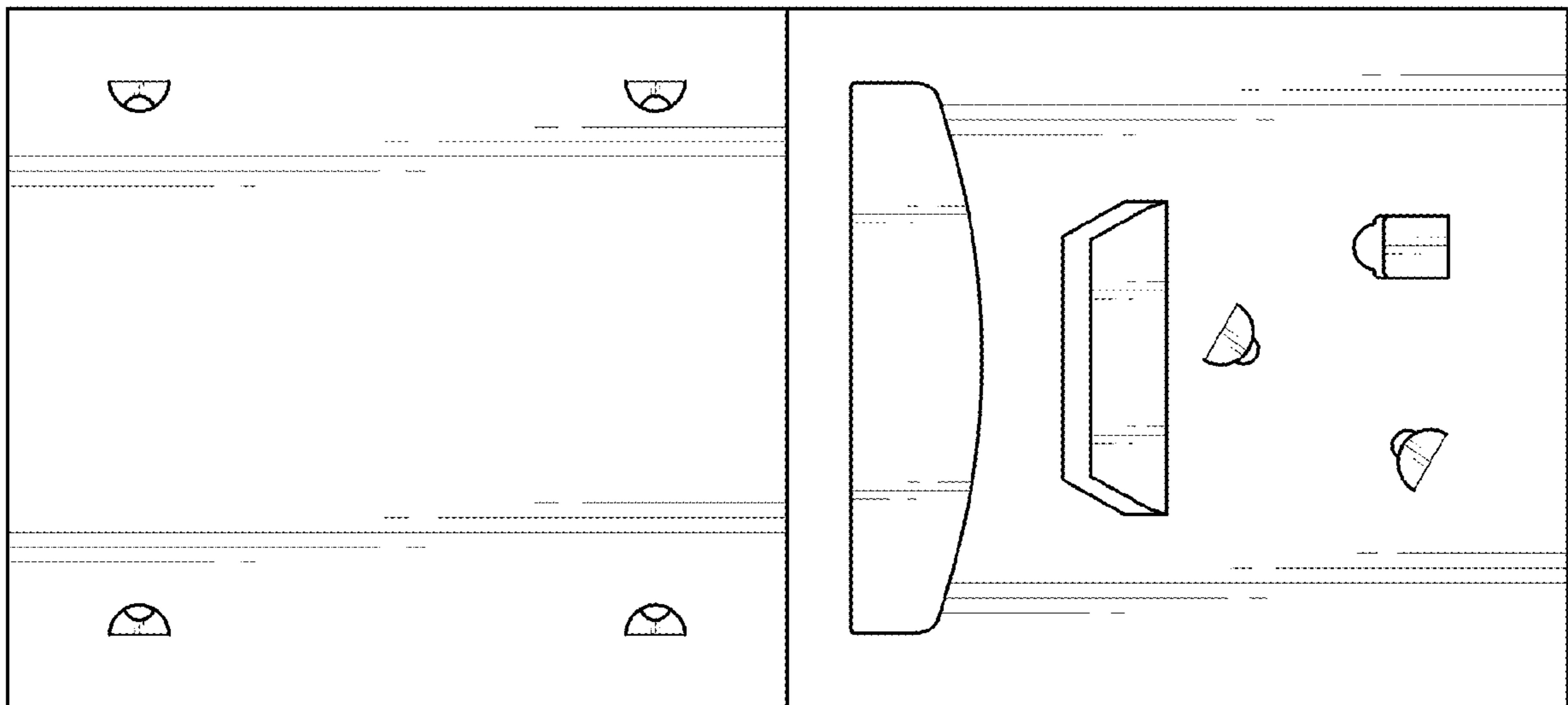


FIG. 9

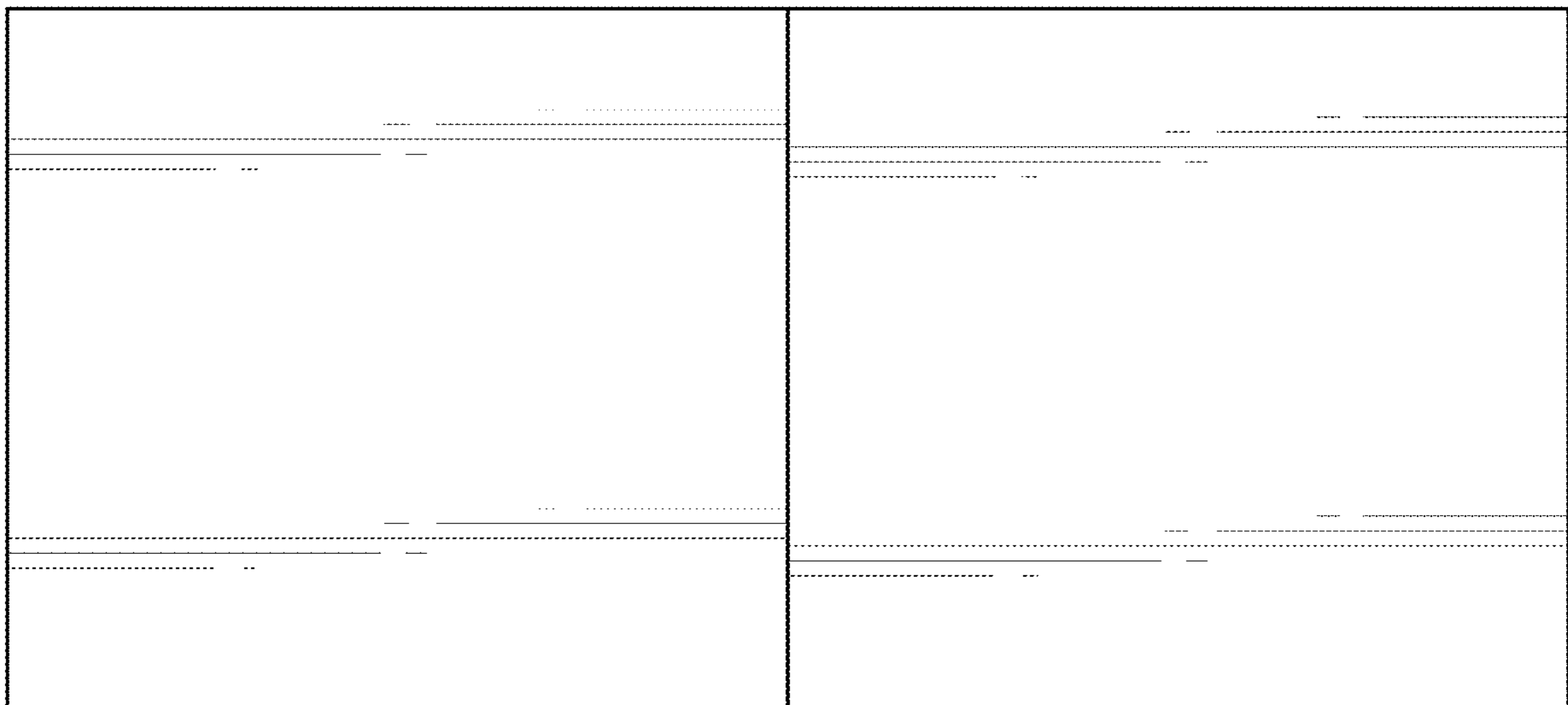


FIG. 10

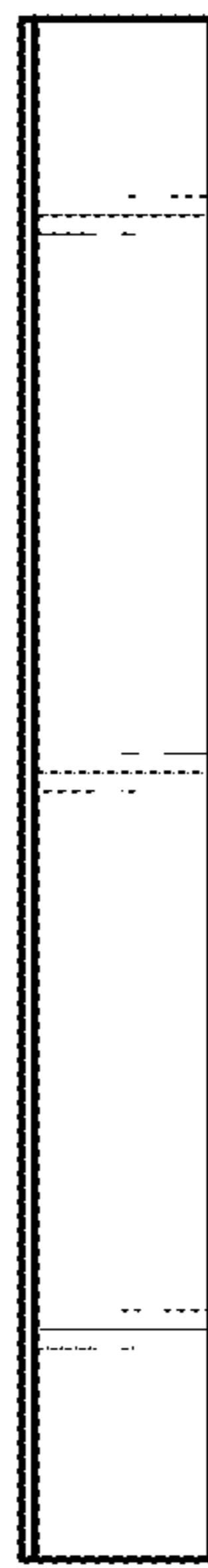


FIG. 11

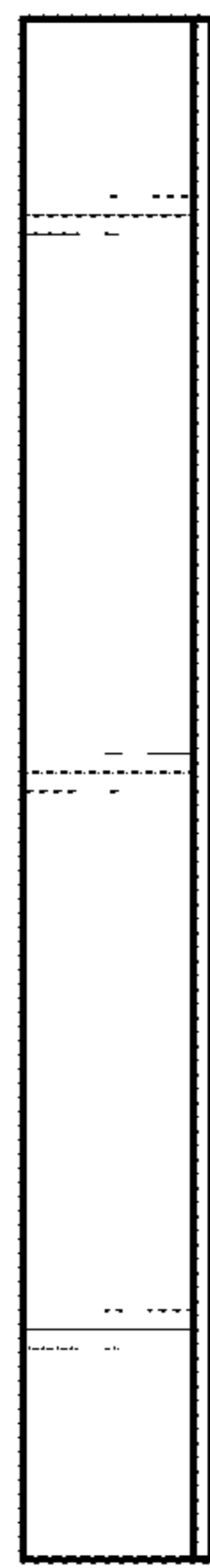


FIG. 12

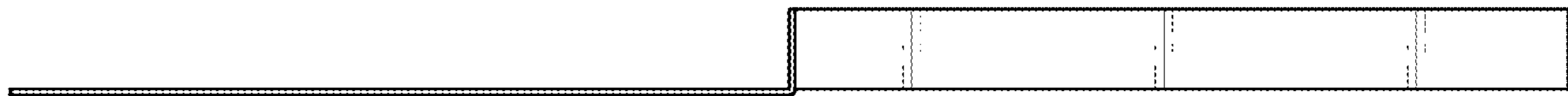


FIG. 13

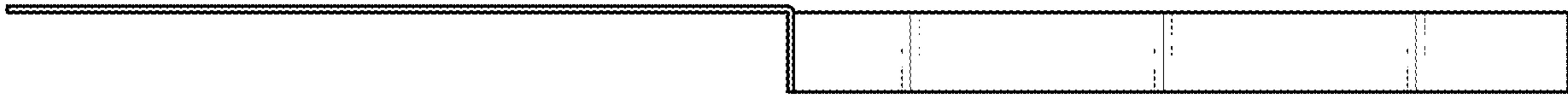


FIG. 14



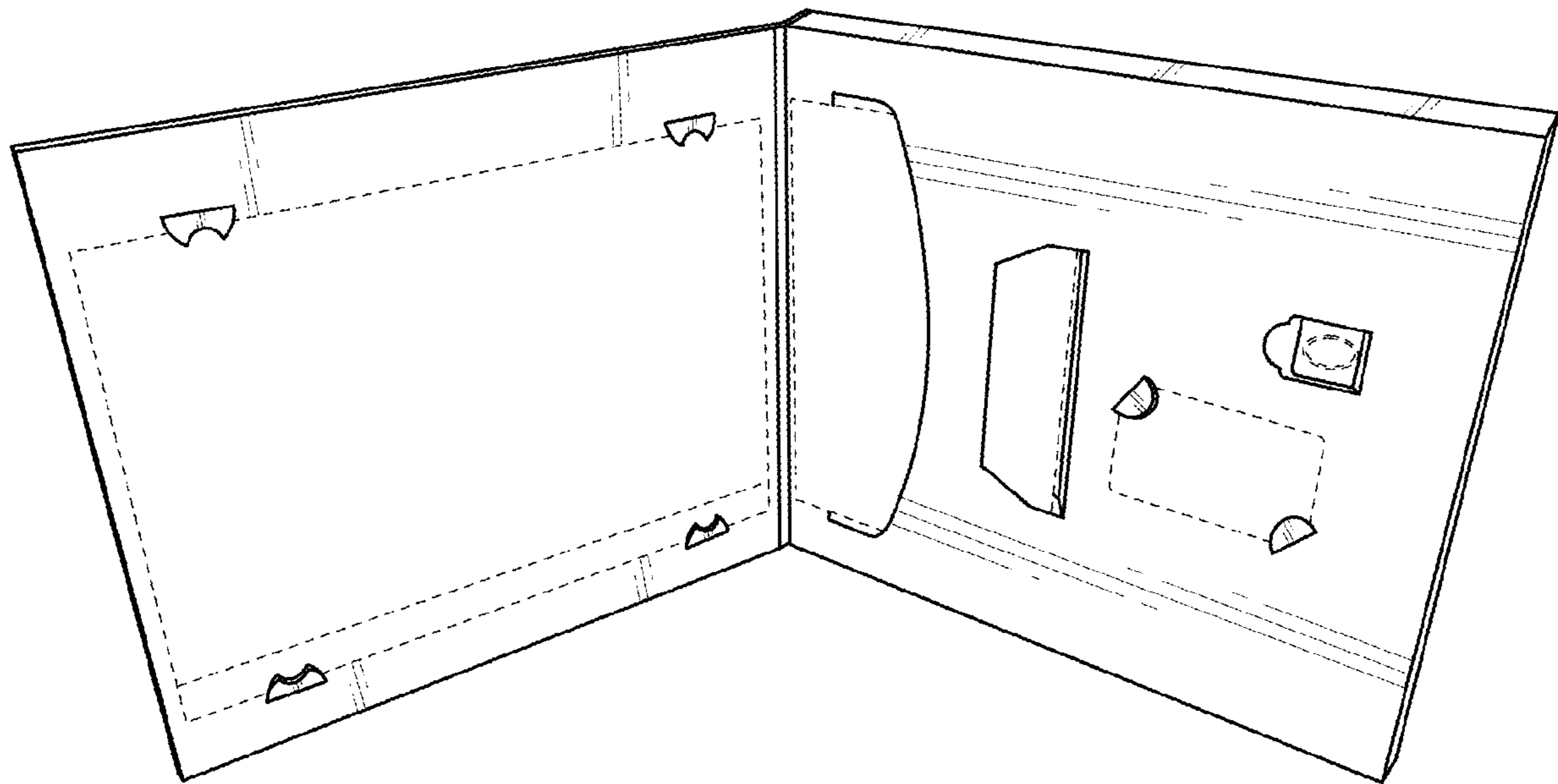


FIG. 15

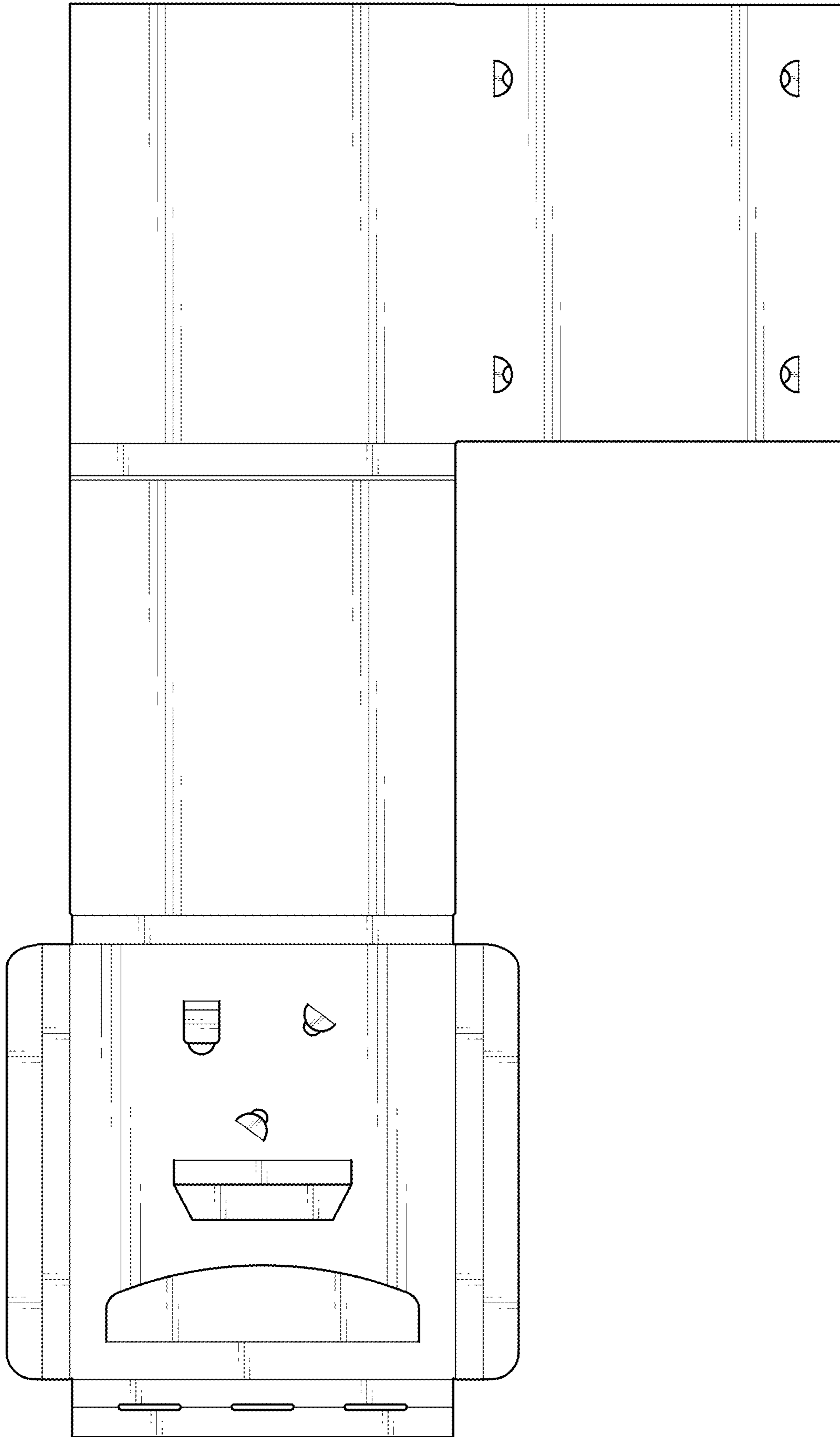


FIG. 16