



US00D948335S

(12) **United States Design Patent**
Safdie et al.

(10) **Patent No.:** **US D948,335 S**
(45) **Date of Patent:** **** Apr. 12, 2022**

(54) **PACKAGE FOR GROOMING ACCESSORIES**

DESCRIPTION

- (71) Applicant: **Best Accessory Group LLC**, New York, NY (US)
- (72) Inventors: **Abraham Safdie**, Brooklyn, NY (US);
Jack Saban, Brooklyn, NY (US)
- (73) Assignee: **Best Accessory Group LLC**, New York, NY (US)
- (**) Term: **15 Years**
- (21) Appl. No.: **29/725,689**
- (22) Filed: **Feb. 26, 2020**
- (51) **LOC (13) Cl.** **09-03**
- (52) **U.S. Cl.**
USPC **D9/432**
- (58) **Field of Classification Search**
USPC D9/414-420, 421-433, 434, 442, 445,
D9/456, 542, 563, 600, 614-624, 707,
(Continued)

(56) **References Cited**

U.S. PATENT DOCUMENTS

- D114,891 S * 5/1939 Fogel D9/418
 - D280,976 S * 10/1985 Diamond D9/456
- (Continued)

FOREIGN PATENT DOCUMENTS

- KR 3020050016493 * 1/2006

Primary Examiner — Omeed Agilee

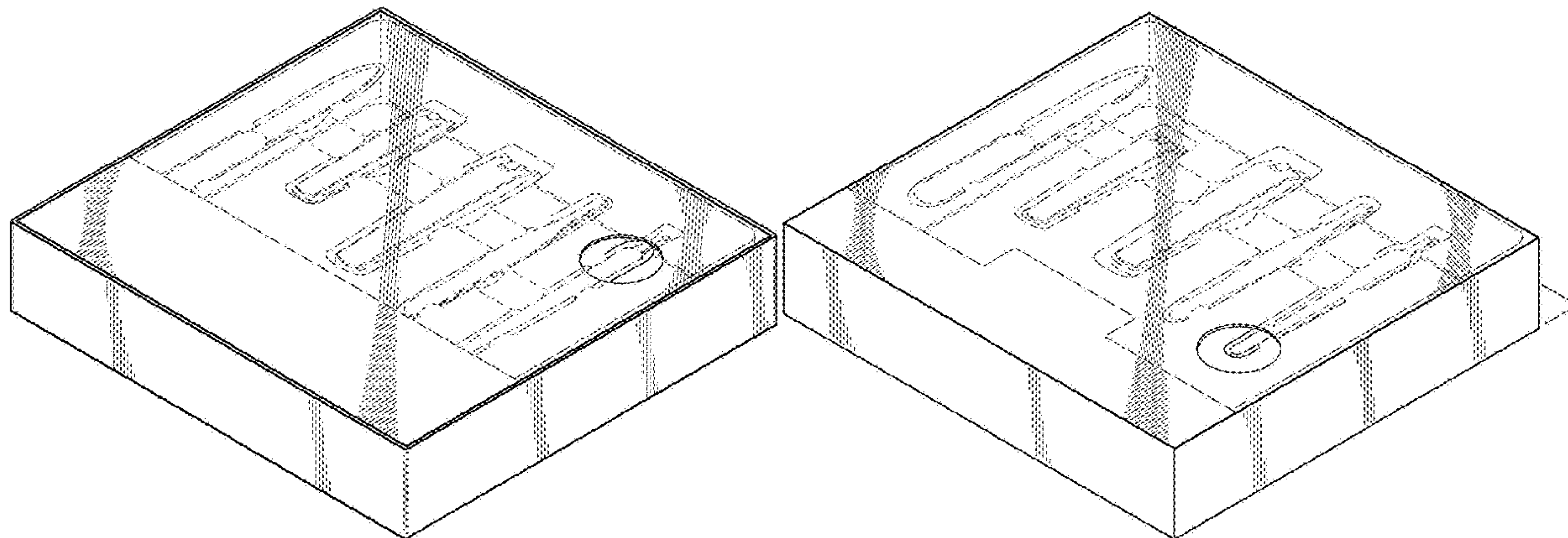
(74) *Attorney, Agent, or Firm* — Dorton & Willis, LLP

(57) **CLAIM**

The ornamental design for a package for grooming accessories, as shown and described.

FIG. 1 is a top perspective view of a first embodiment of a package for grooming accessories showing our new design; FIG. 2 is a top plan view thereof; FIG. 3 is a bottom plan view thereof; FIG. 4 is a right-side elevation view thereof; FIG. 5 is a left-side elevation view thereof; FIG. 6 is a rear elevation view thereof; FIG. 7 is a front elevation view thereof; and FIG. 8 is an exploded perspective view thereof. FIG. 9 is a top perspective view of a second embodiment of the package for grooming accessories showing our new design; FIG. 10 is a top plan view thereof; The bottom, right-side, left-side, rear, and front views of the second embodiment being the same as depicted in FIGS. 3-7. FIG. 11 is a top perspective view of a third embodiment of the package for grooming accessories showing our new design; FIG. 12 is a top plan view thereof; FIG. 13 is a bottom plan view thereof; FIG. 14 is a right-side elevation view thereof; FIG. 15 is a left-side elevation view thereof; FIG. 16 is a rear elevation view thereof; FIG. 17 is a front elevation view thereof; and FIG. 18 is an exploded perspective view thereof. FIG. 19 is a top perspective view of a fourth embodiment of the package for grooming accessories showing our new design; and, FIG. 20 is a top plan view thereof. The bottom, right-side, left-side, rear, and front views of the fourth embodiment being the same as depicted in FIGS. 13-17. The broken dash-dot lines in the drawings depict environmental subject matter and form no part of the claimed design. The broken dash lines in the drawing views depict portions of the package for grooming accessories that form no part of the claimed design.

1 Claim, 16 Drawing Sheets



(58) **Field of Classification Search**

USPC D9/708, 711, 715, 718, 721, 737, 748,
D9/749, 754, 759; D3/201, 203.3, 205,
D3/273, 276, 304, 309-313, 901;
D7/601, 602, 709
CPC B65D 5/00; B65D 5/001; B65D 5/0027;
B65D 5/0254; B65D 5/18; B65D 5/38;
B65D 5/40; B65D 5/2033; B65D
5/48024; B65D 5/6605; B65D 1/22;
B65D 1/24; B65D 1/34; B65D 50/04;
B65D 5/5021; B65D 85/30; B65D
50/045; B65B 5/06; A61B 50/33; A61B
2050/3008; A61C 19/02

See application file for complete search history.

(56) **References Cited**

U.S. PATENT DOCUMENTS

D291,534	S	*	8/1987	Hamilton	D9/418
D611,837	S	*	3/2010	Kim	D9/721
D620,795	S	*	8/2010	Andre	D9/432
D701,757	S	*	4/2014	Andre	D9/432
D774,388	S	*	12/2016	Xia	D9/432
D829,565	S	*	10/2018	Safdie	D9/737
D829,566	S	*	10/2018	Safdie	D9/737
D830,824	S	*	10/2018	Safdie	D9/432
D839,479	S	*	1/2019	Heslop	D28/61
D934,677	S	*	11/2021	Larson	D9/420
2016/0107799	A1	*	4/2016	Streich	B65D 5/5061 220/663

* cited by examiner

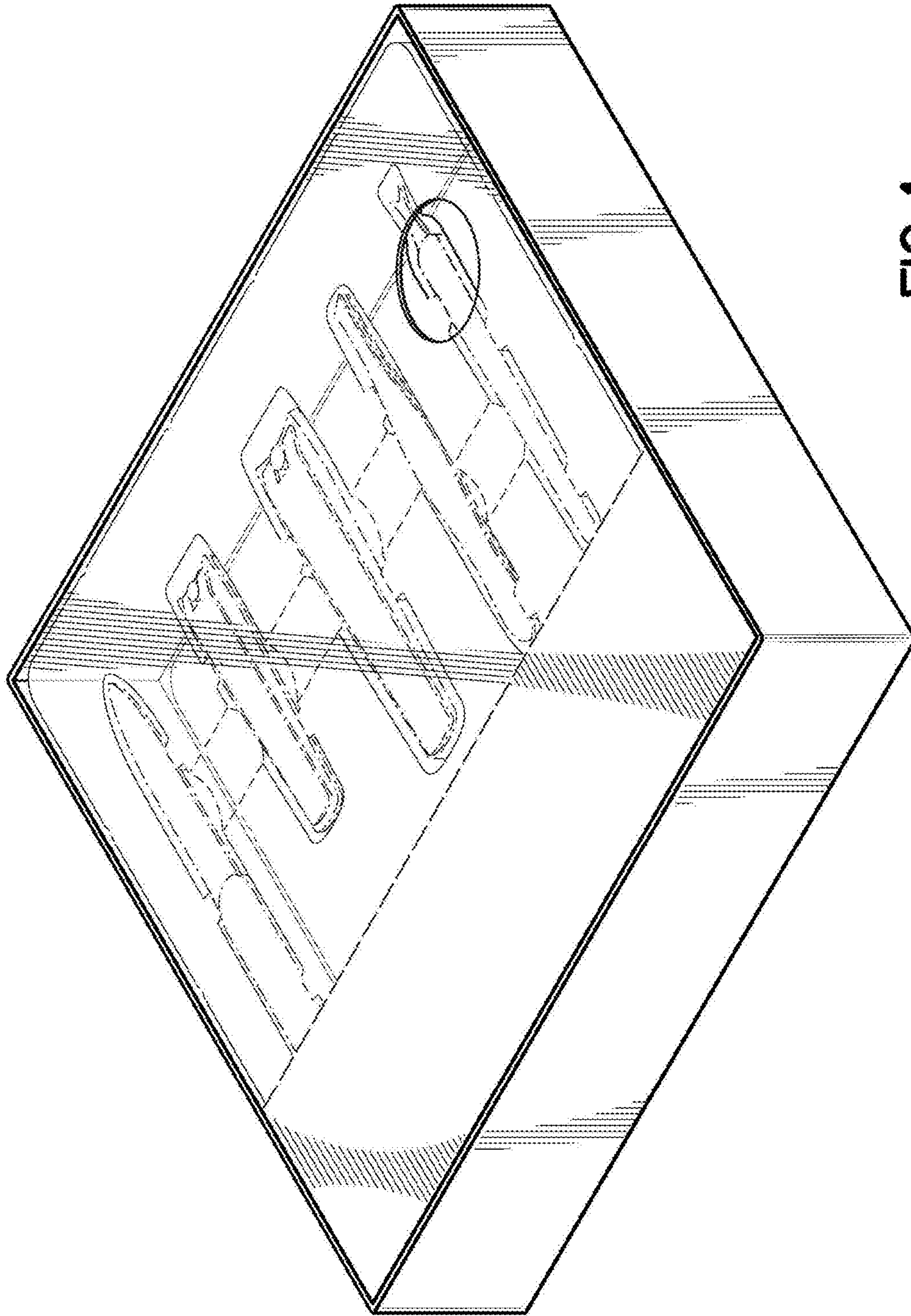


FIG. 1

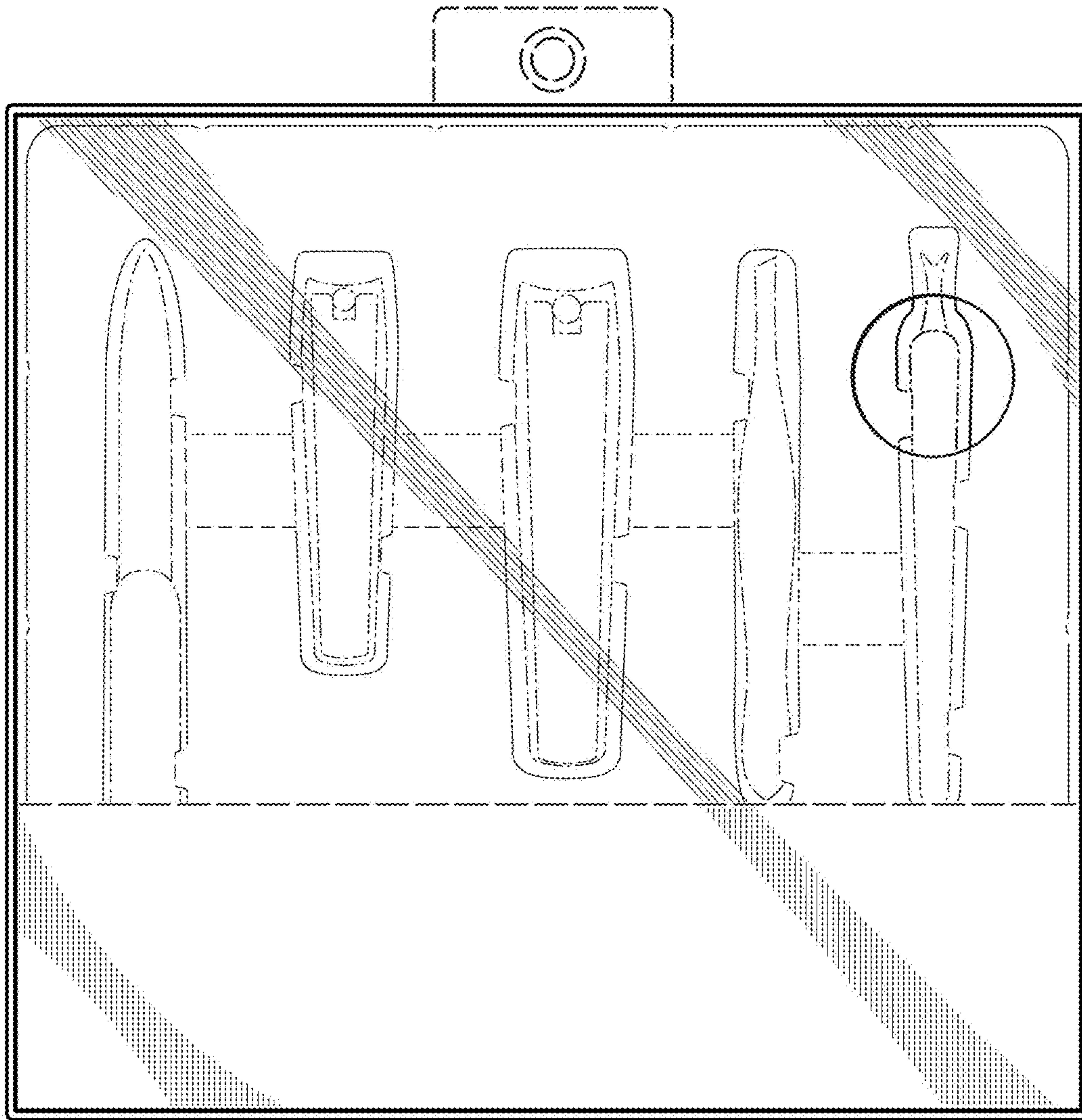


FIG. 2

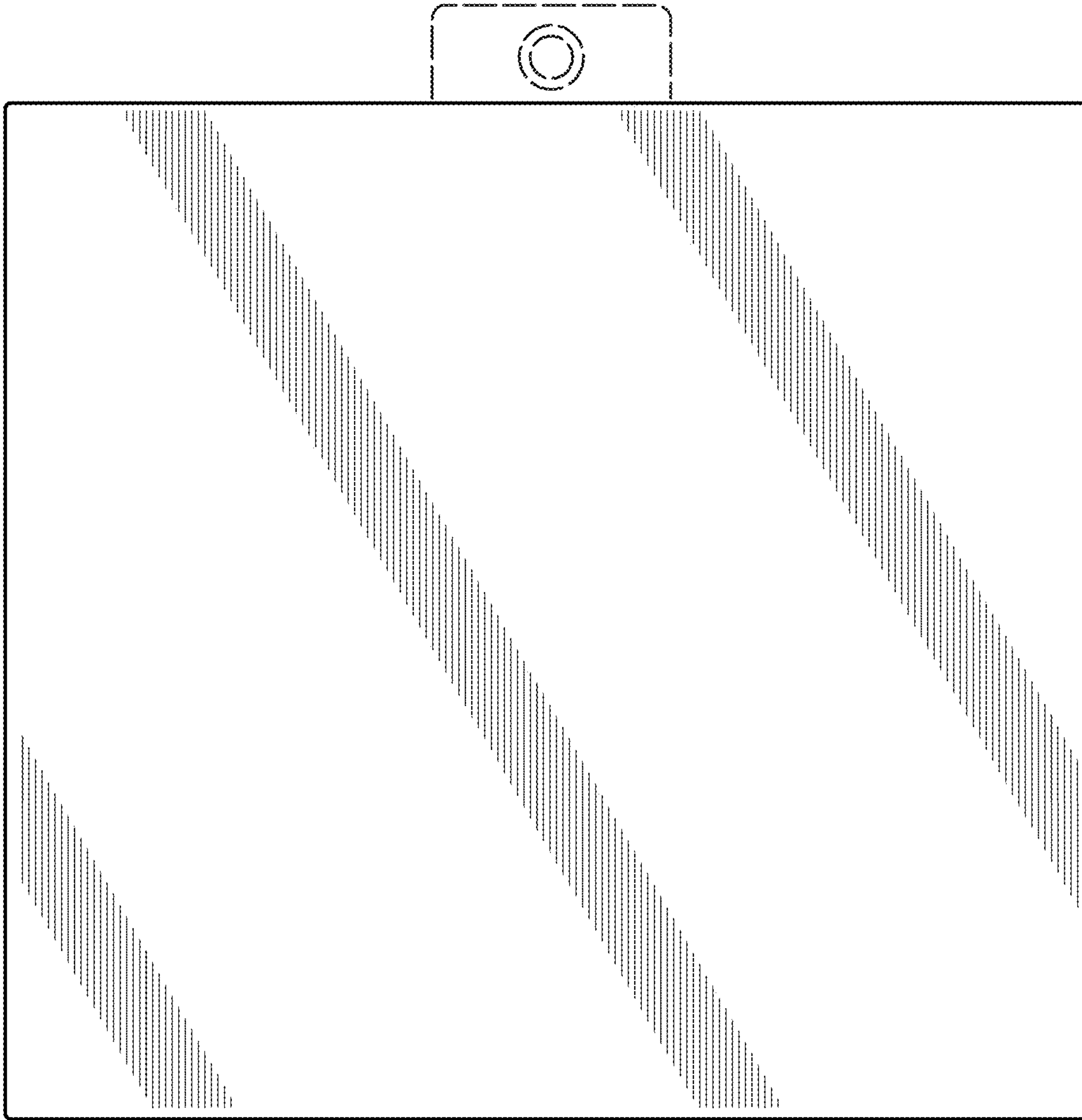


FIG. 3

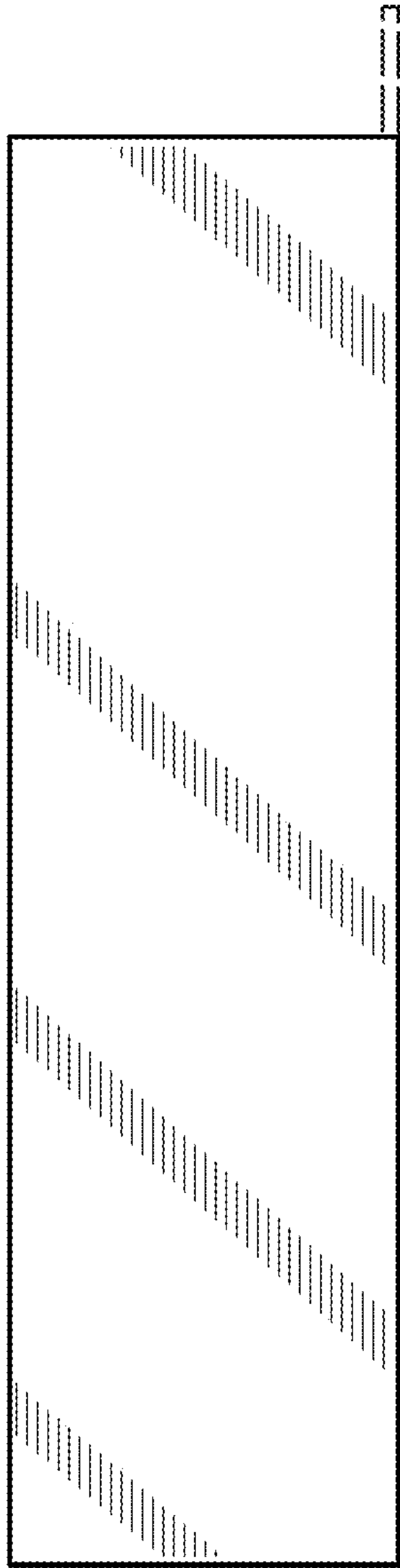


FIG. 4

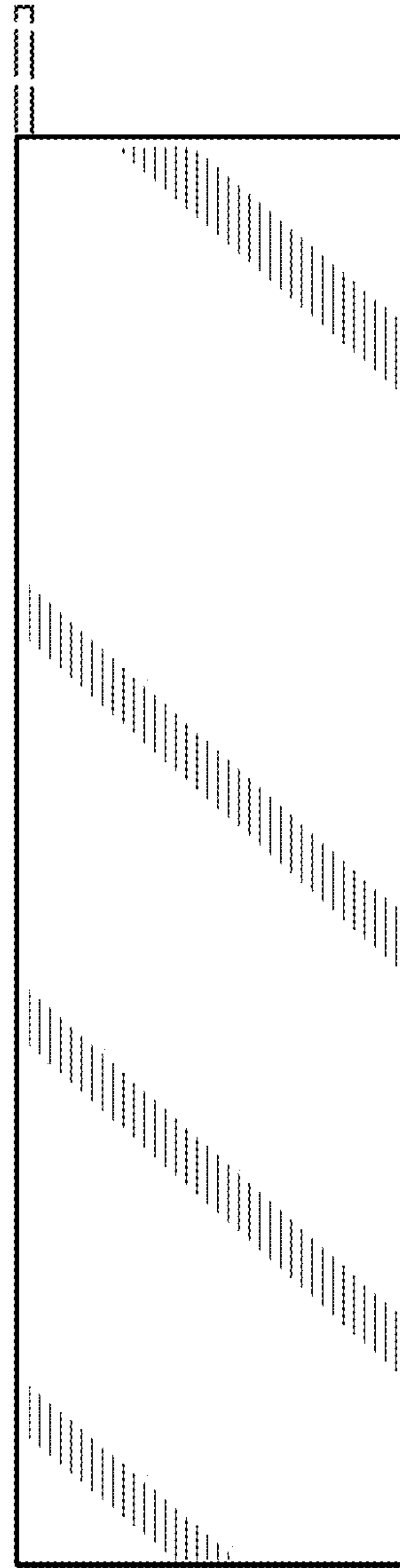


FIG. 5

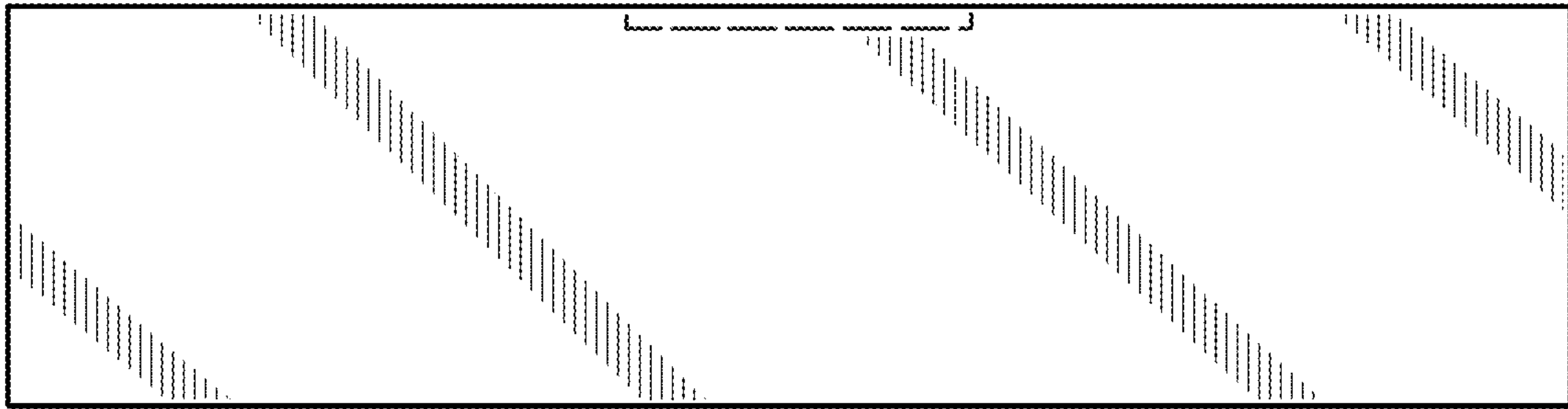


FIG. 6

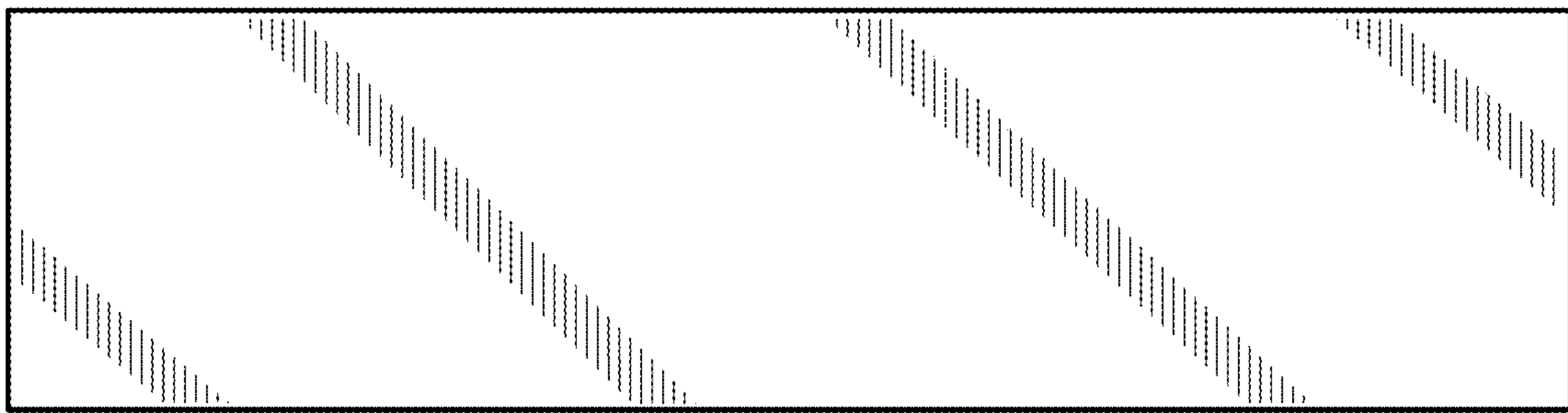


FIG. 7

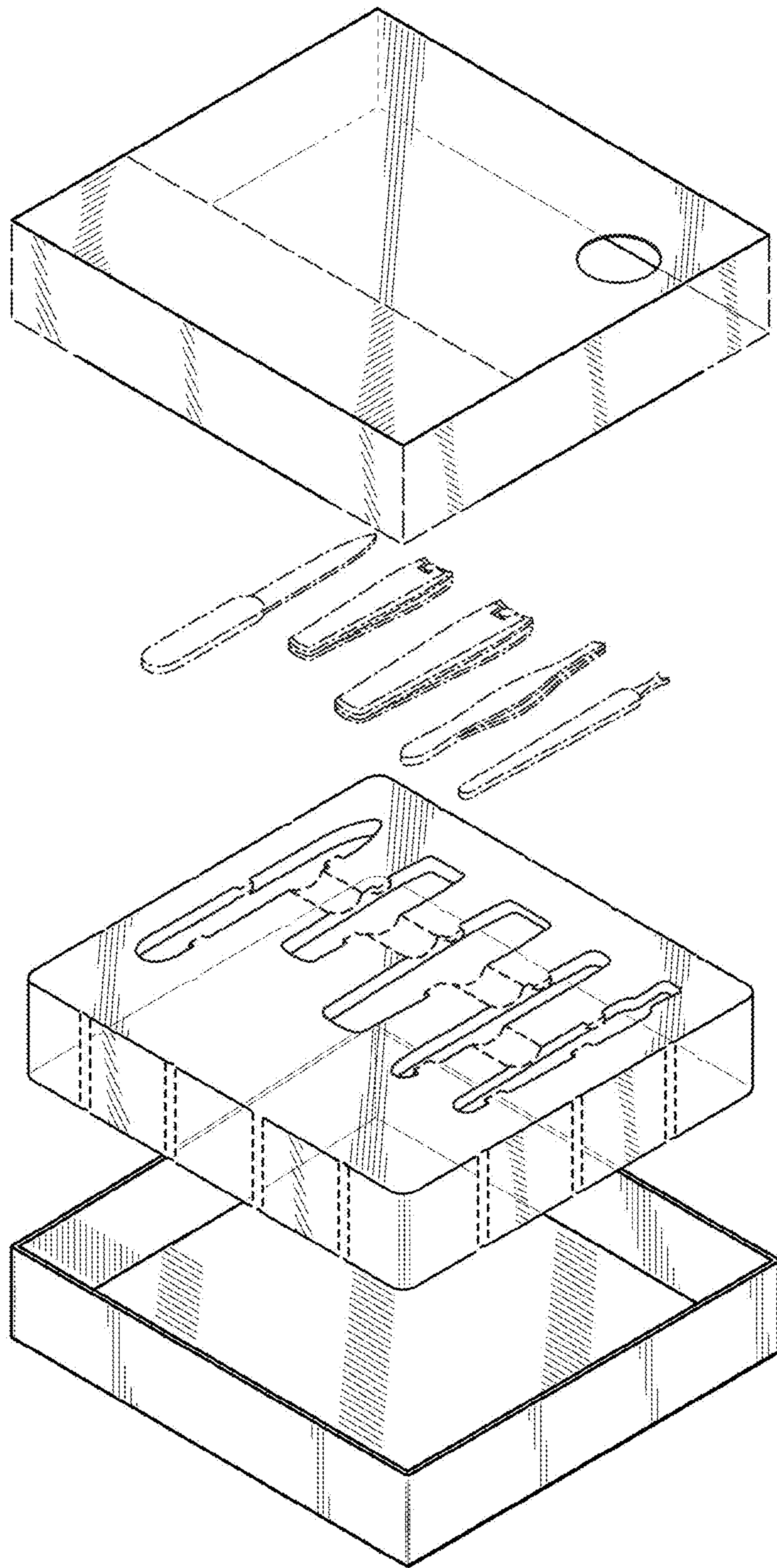


FIG. 8

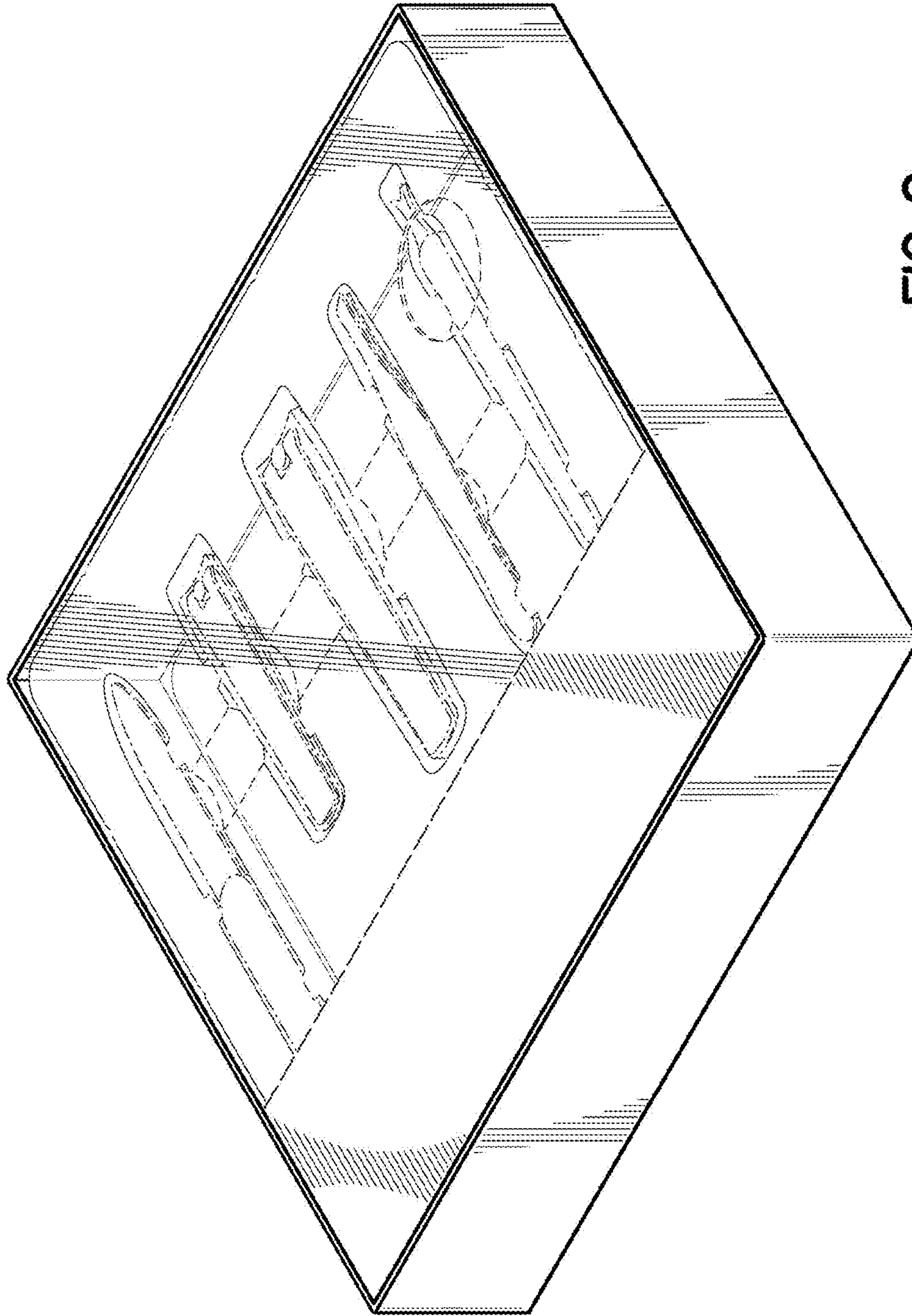


FIG. 9

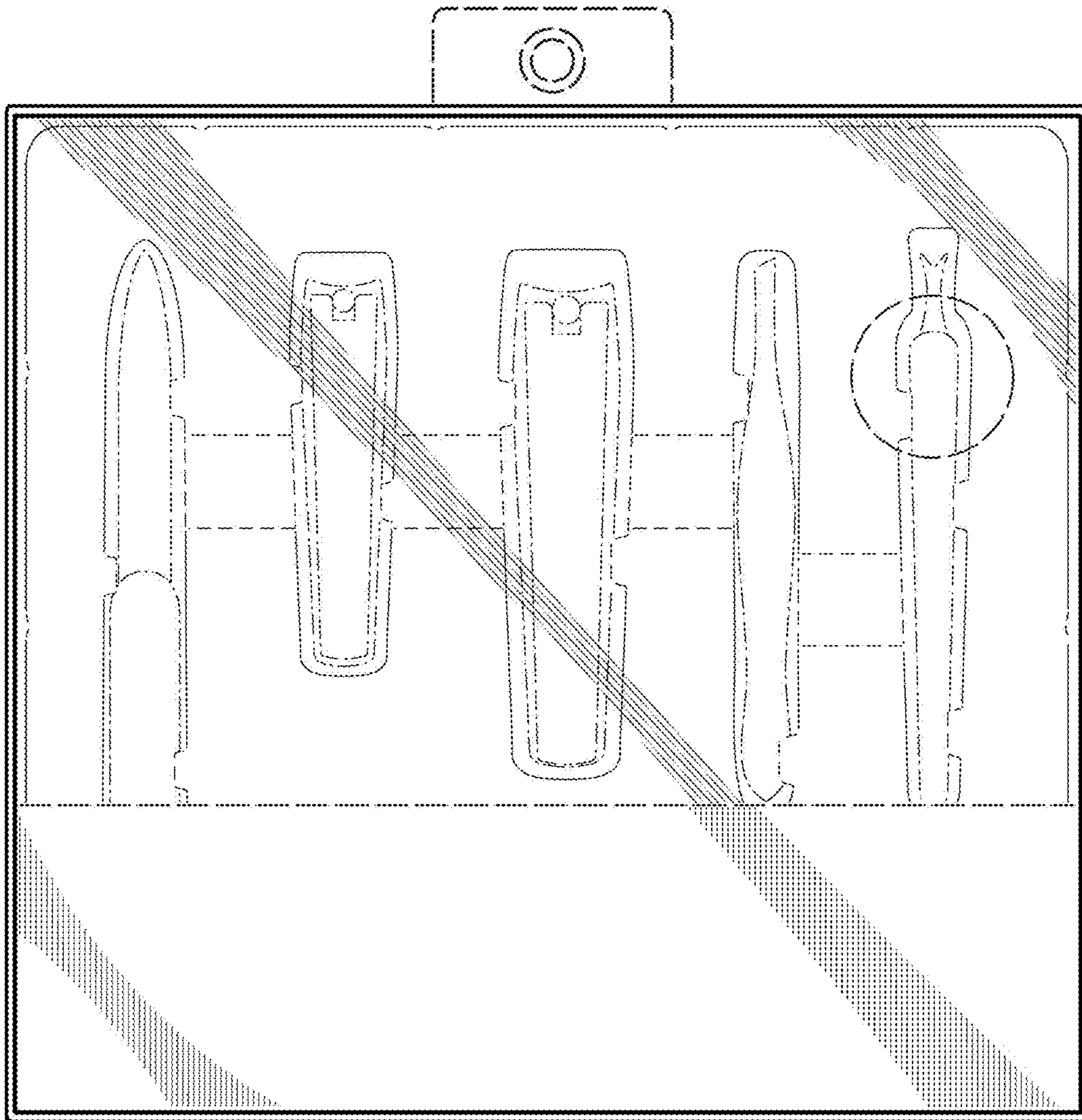


FIG. 10

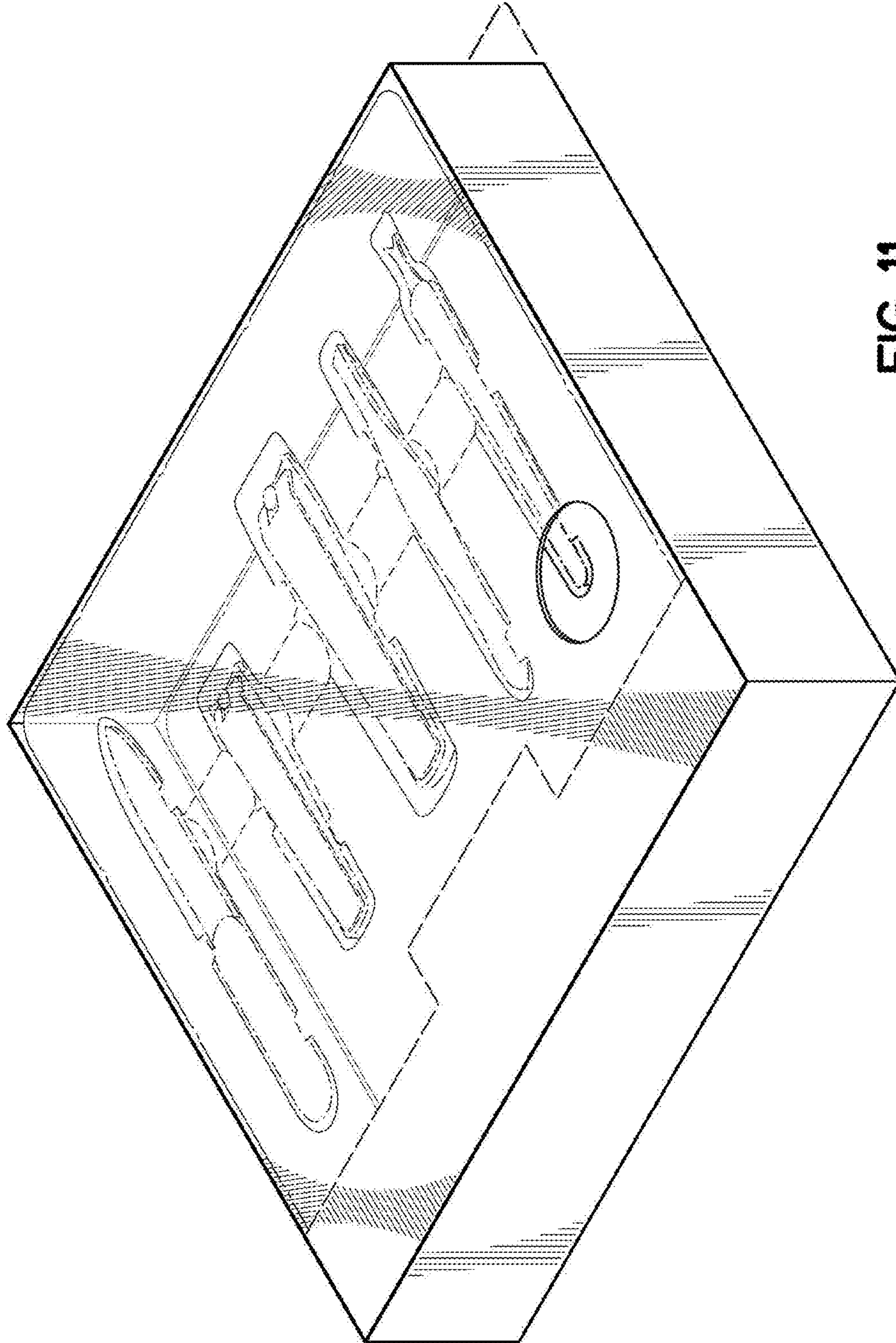


FIG. 11

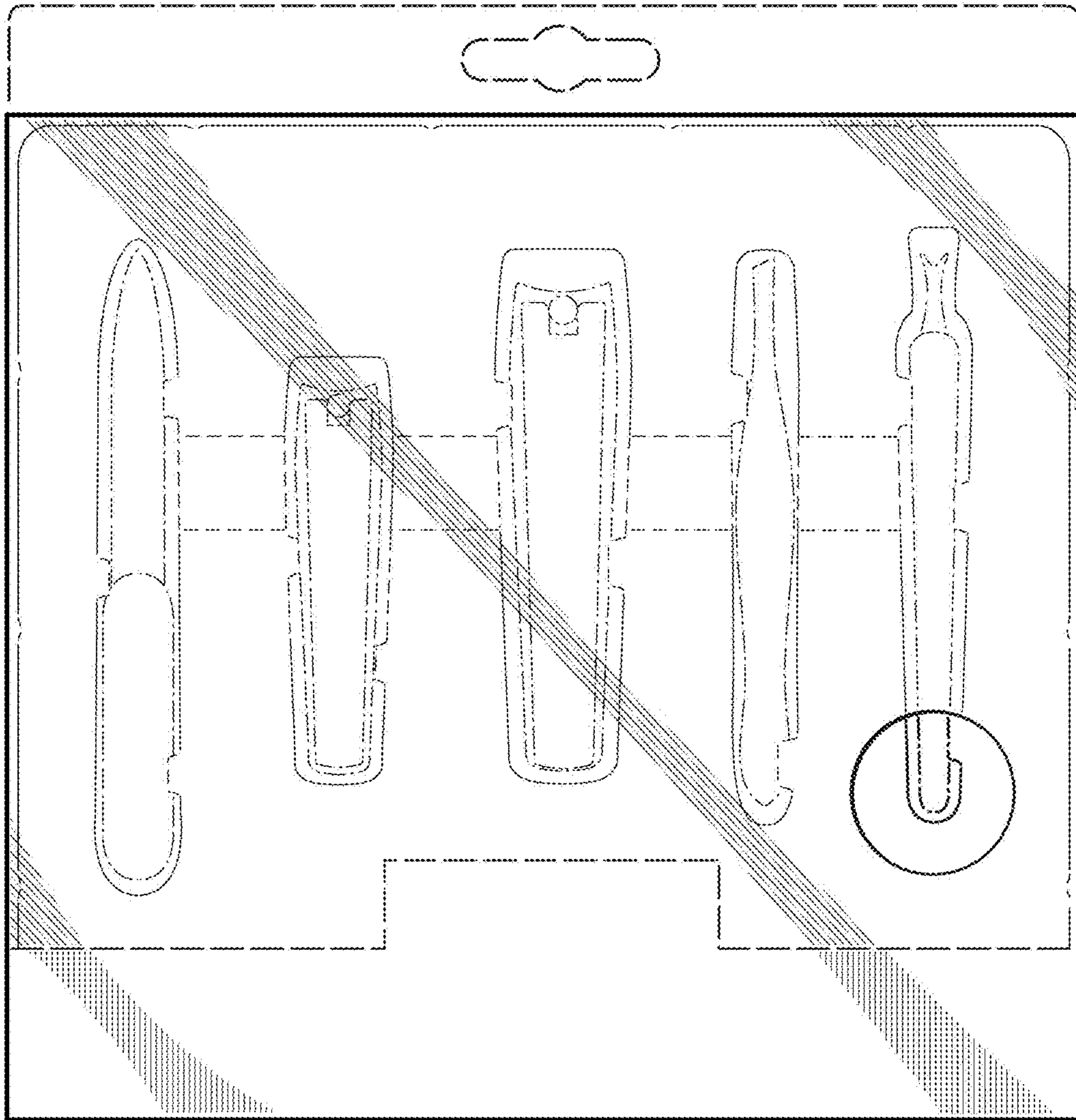


FIG. 12

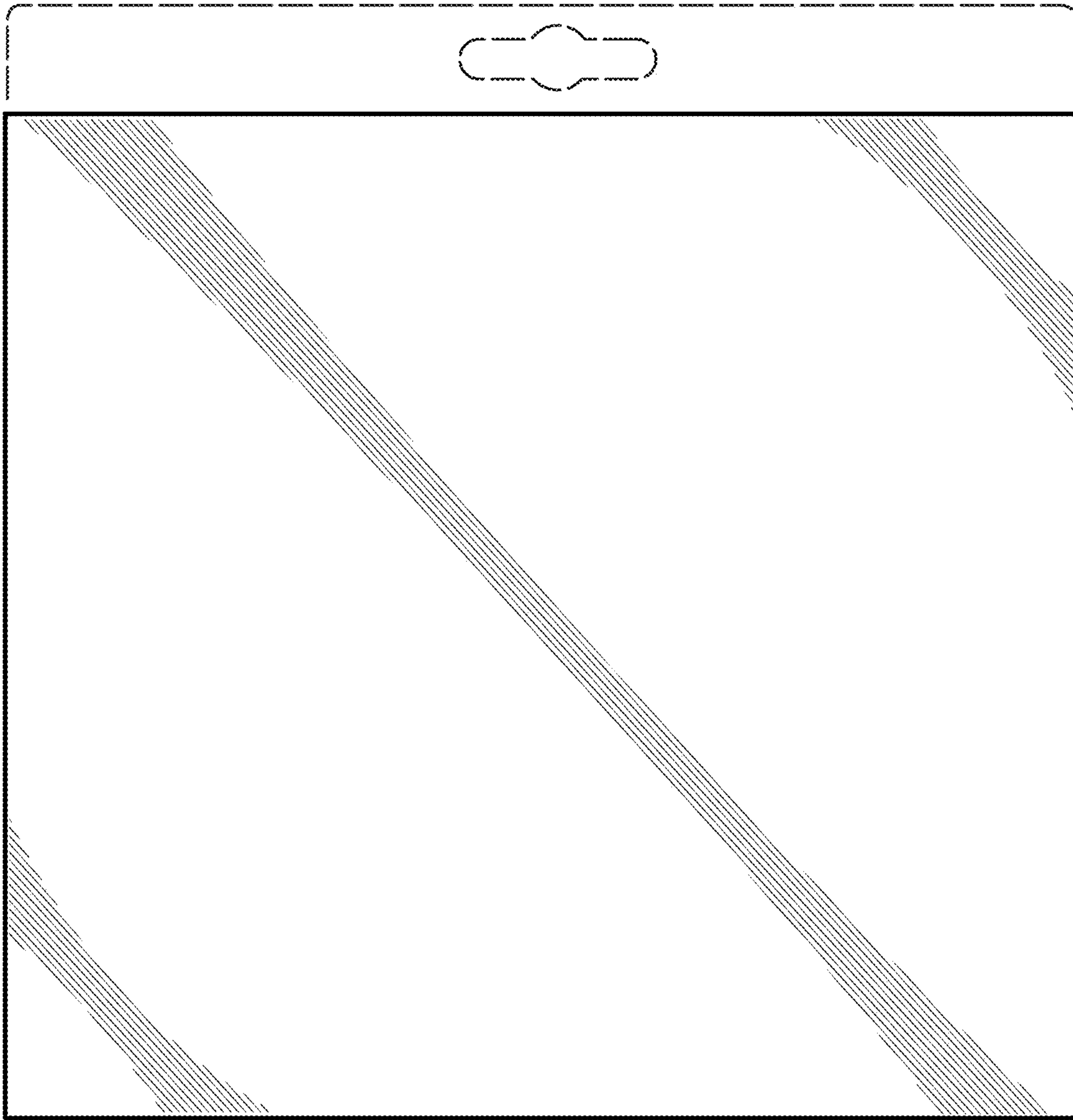


FIG. 13

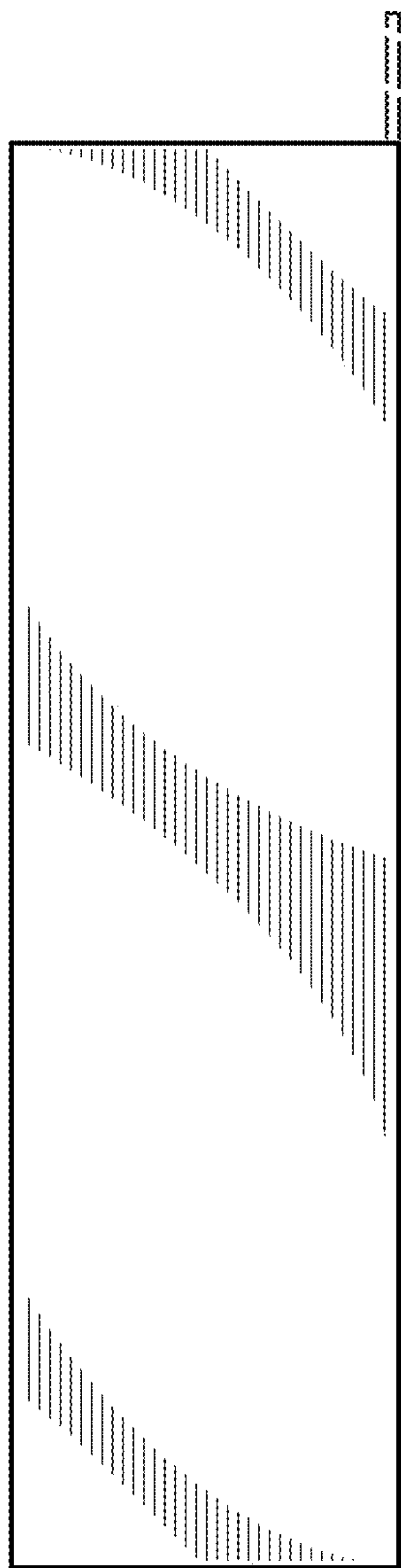


FIG. 14

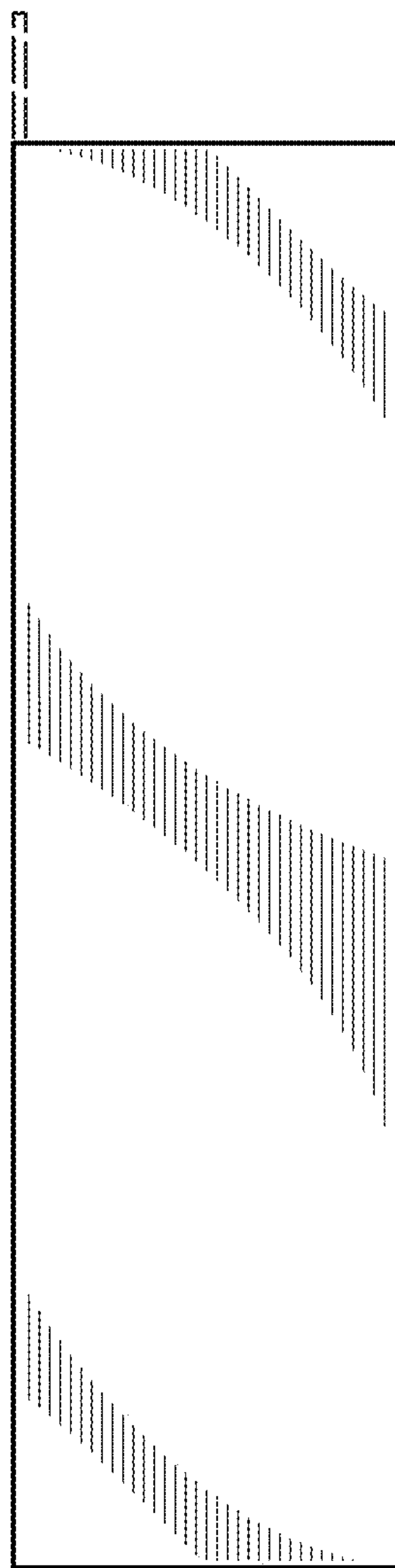


FIG. 15

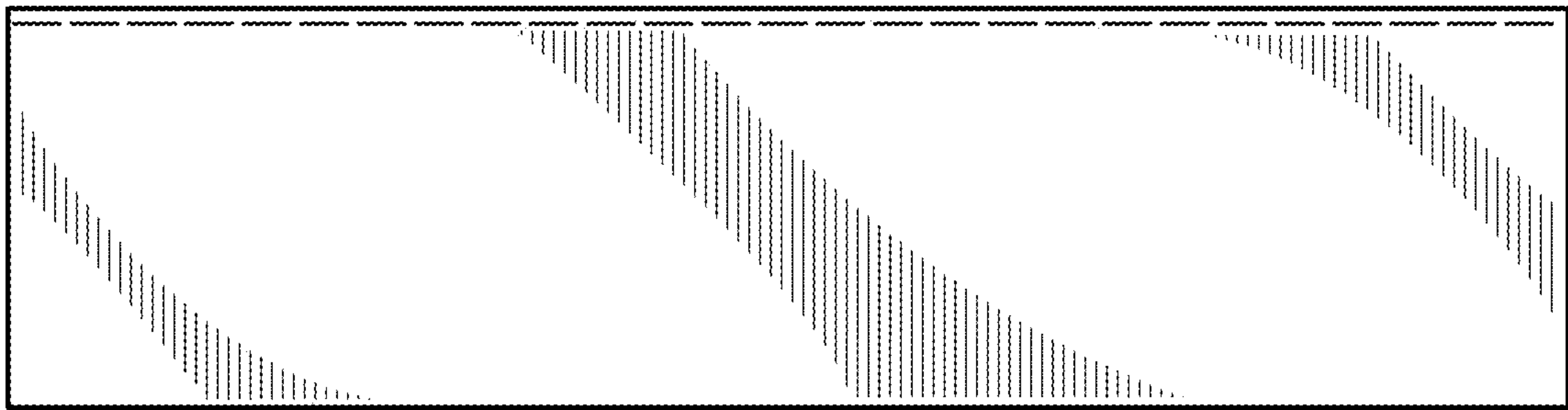


FIG. 16

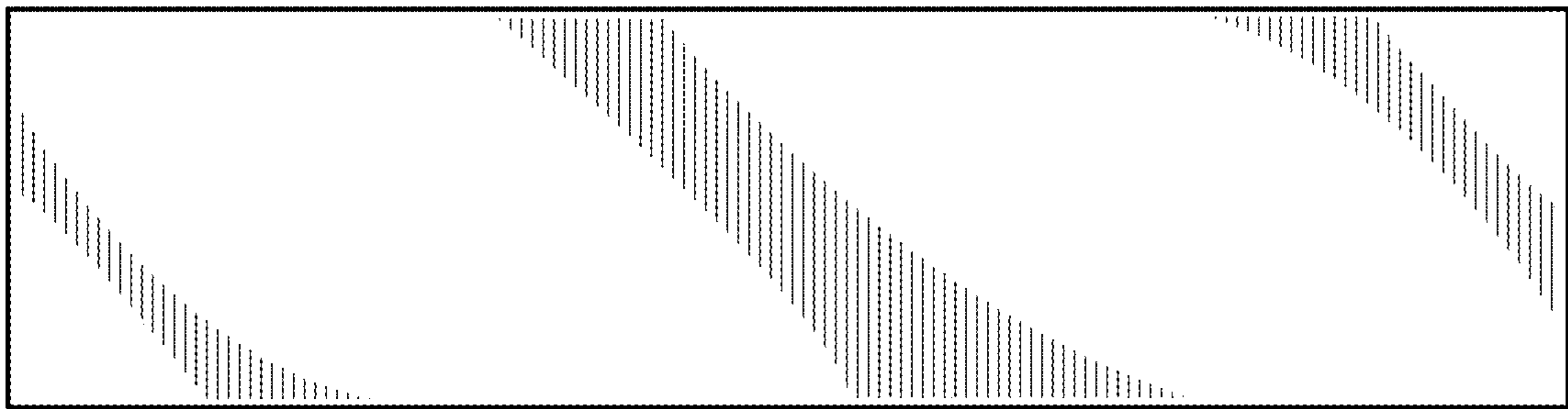


FIG. 17

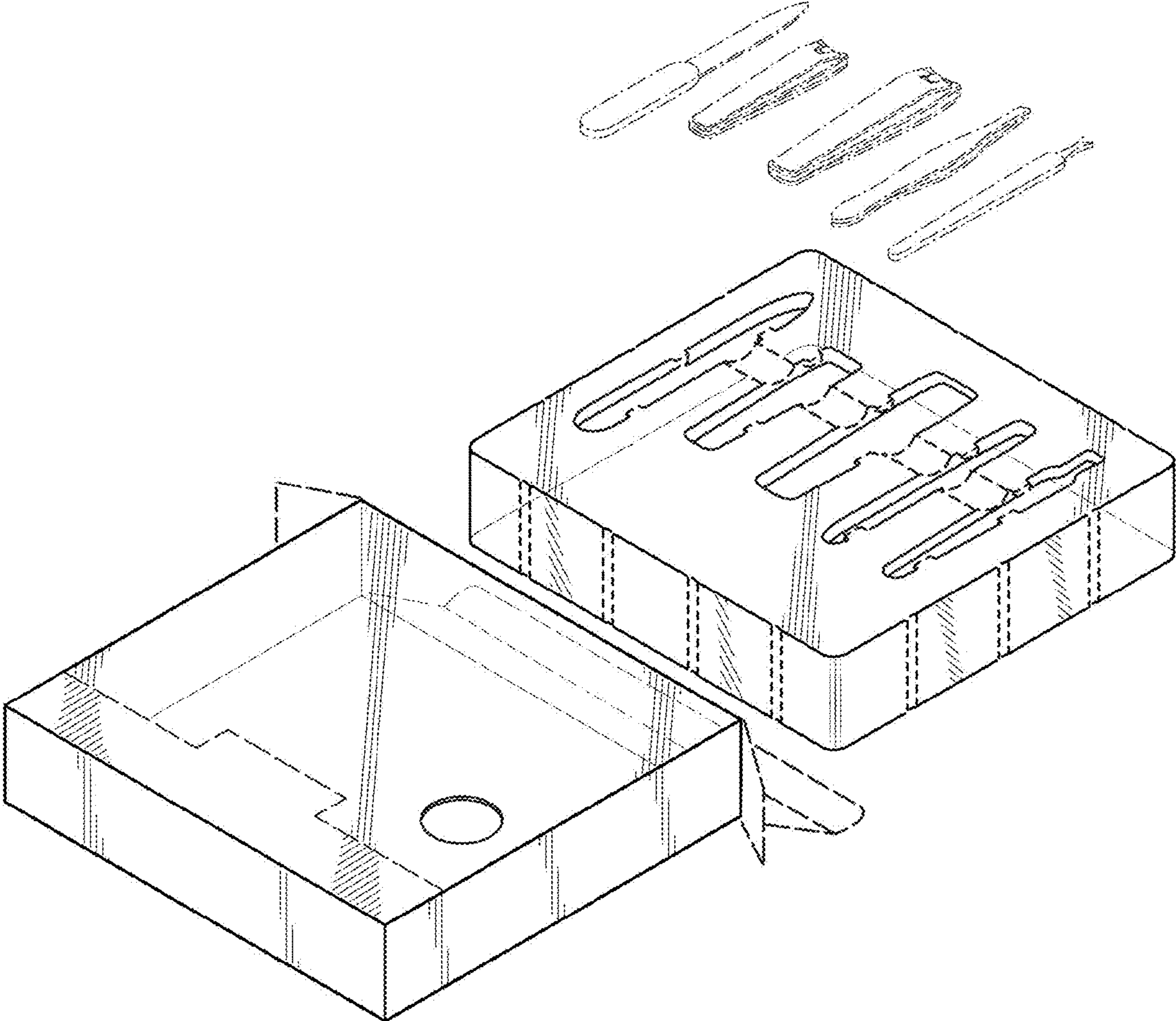


FIG. 18

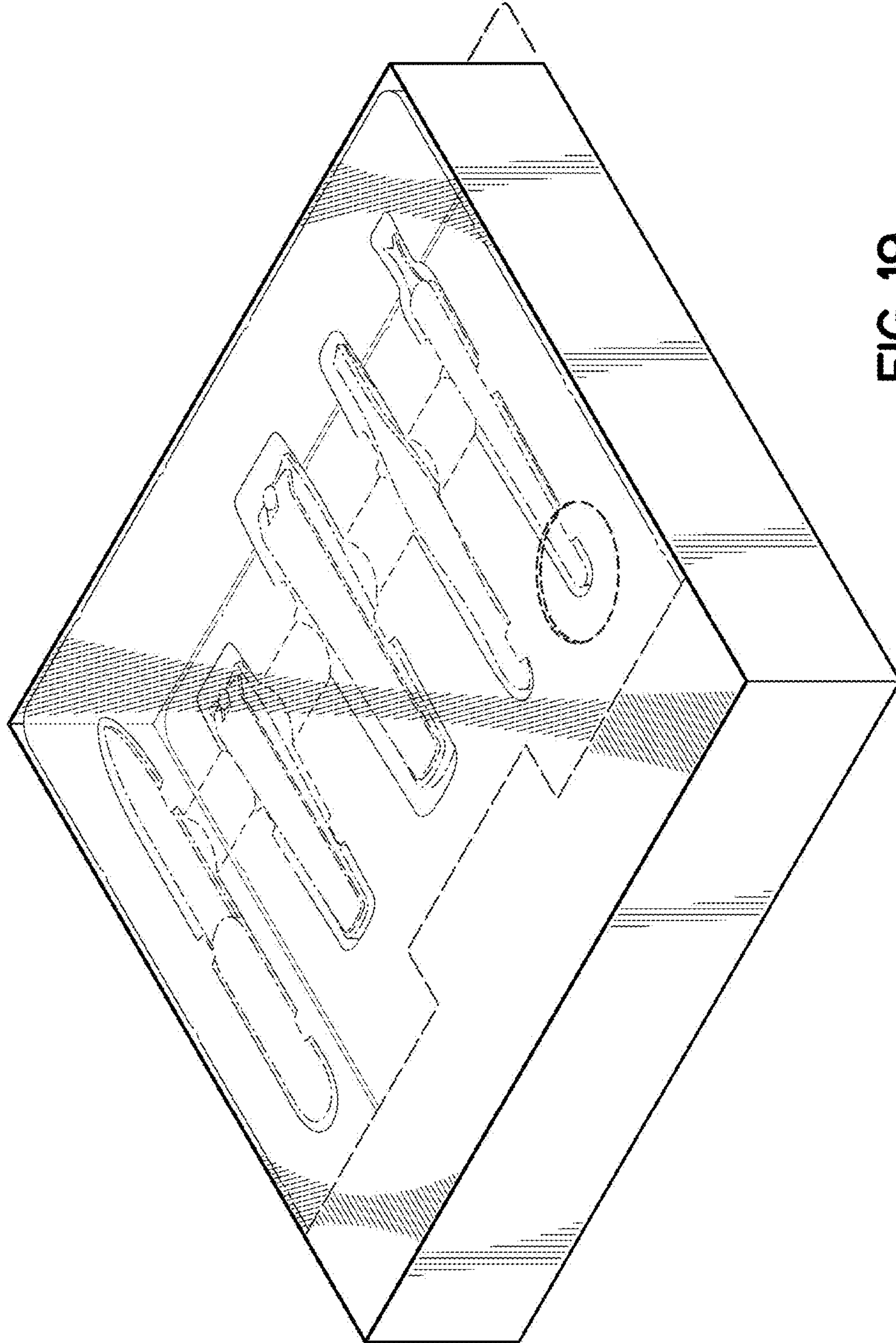


FIG. 19

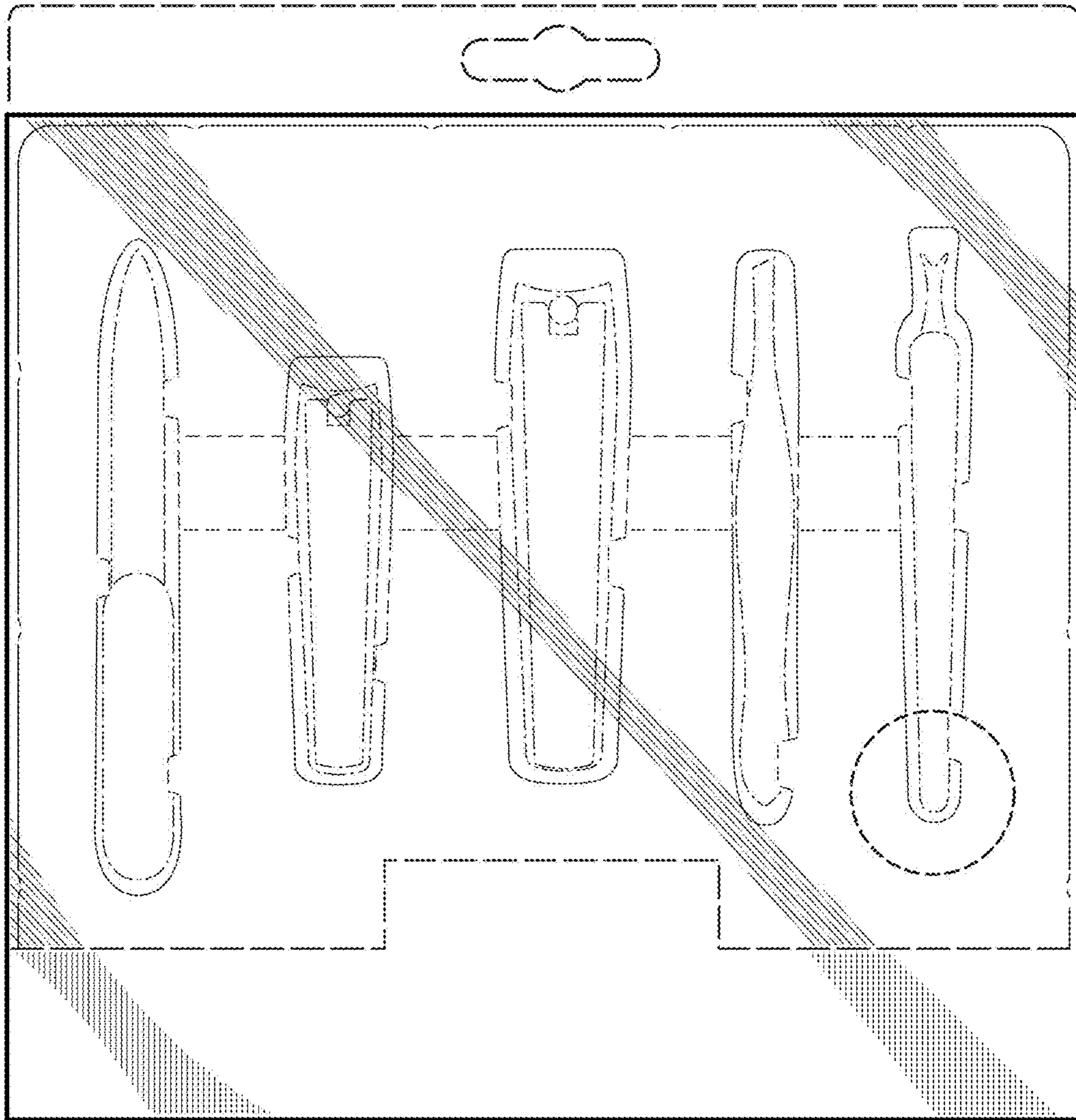


FIG. 20