



US00D948334S

(12) **United States Design Patent**
Hafen et al.

(10) **Patent No.:** **US D948,334 S**
(45) **Date of Patent:** **** Apr. 12, 2022**

(54) **MEDIA CASE**

(71) Applicant: **MEDIA FAST, LC**, American Fork, UT (US)

(72) Inventors: **Amy Hafen**, American Fork, UT (US);
William Diaz, American Fork, UT (US)

(73) Assignee: **MEDIA FAST, LC**, American Fork, UT (US)

(**) Term: **15 Years**

(21) Appl. No.: **29/711,435**

(22) Filed: **Oct. 31, 2019**

(51) **LOC (13) Cl.** **09-03**

(52) **U.S. Cl.**
USPC **D9/432**

(58) **Field of Classification Search**
USPC D14/155–159, 160–173, 187–188,
D14/203.1–203.8, 204–216, 217–222,
D14/223, 225–229, 496; D19/26, 28;
D3/201, 218, 271.5, 273; D9/432–433,
D9/435

CPC H04R 1/02; H04R 1/021; H04R 1/023;
H04R 5/00; H04R 9/06; H04R 2420/07
See application file for complete search history.

(56) **References Cited**

U.S. PATENT DOCUMENTS

651,713	A *	6/1900	Hurlbut, Jr.	B42D 15/08 281/3.1
1,089,557	A *	3/1914	Henderson	B42D 3/04 281/34
4,141,162	A *	2/1979	Mascolo	B42F 5/06 40/536
D266,172	S *	9/1982	Fraser	D19/26
D283,231	S *	4/1986	Bradenburger	D10/46.1
D339,063	S *	9/1993	Simon	D9/432
D341,373	S *	11/1993	Stern	D19/26

D420,586	S *	2/2000	MacEachern	D9/420
D477,634	S *	7/2003	Malone	D19/26
6,942,092	B1 *	9/2005	Laarman	B65D 85/546 206/232
D540,665	S *	4/2007	Gupta	D9/433
D570,103	S *	6/2008	Harris	D3/218
D609,696	S *	2/2010	Martinez	D14/209.1
D647,559	S *	10/2011	Clegg	D19/1
D652,294	S *	1/2012	Seneca	D9/433
D661,732	S *	6/2012	Clegg	D19/1
D685,341	S *	7/2013	Cetera	D14/203.4
D685,342	S *	7/2013	Cetera	D14/203.4
D722,111	S *	2/2015	Brown	D19/26
D723,799	S *	3/2015	Glass	D3/247

(Continued)

Primary Examiner — Barbara Fox

Assistant Examiner — Aram Kwon

(74) *Attorney, Agent, or Firm* — Workman Nydegger

(57) **CLAIM**

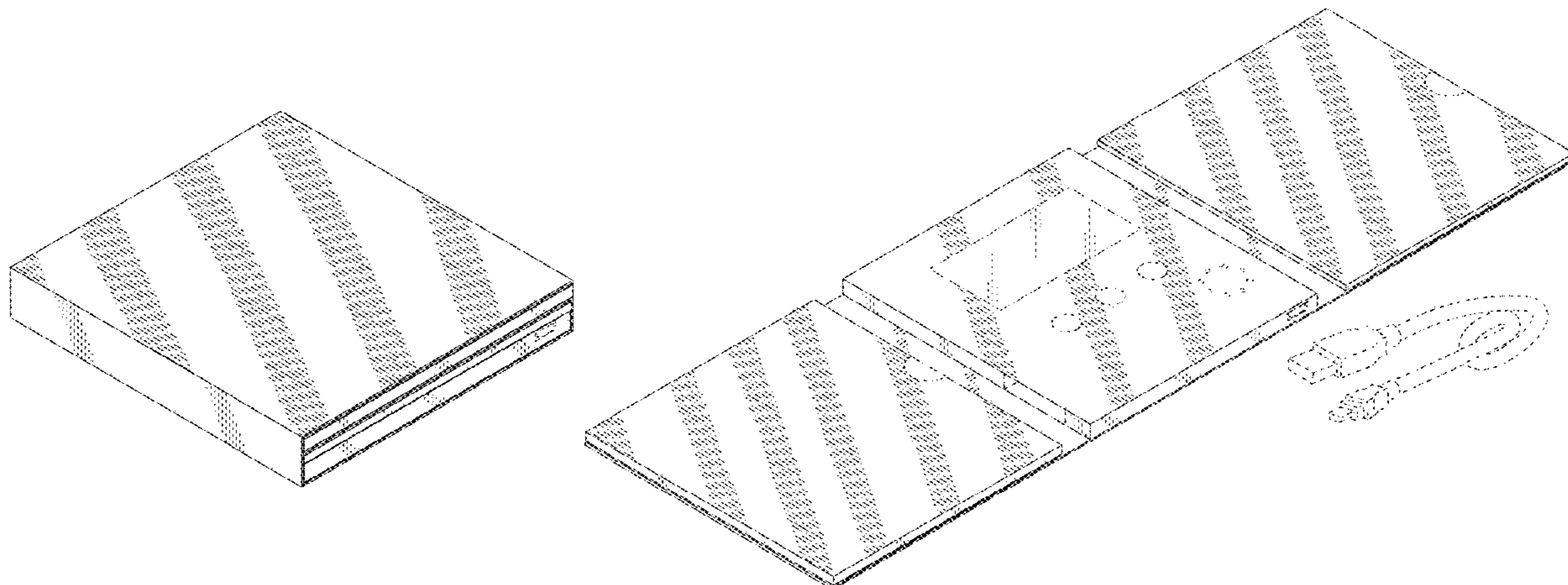
The ornamental design for a media case, as shown and described.

DESCRIPTION

FIG. 1 is a front perspective view of a media case showing our design, shown in a closed configuration;
 FIG. 2 is another front perspective view of the media case of FIG. 1 shown in an open configuration, shown in an environment of use with a cord;
 FIG. 3 is a left elevational view of the media case of FIG. 1 shown in an open configuration;
 FIG. 4 is a right elevational view thereof;
 FIG. 5 is a front view thereof;
 FIG. 6 is a rear view thereof;
 FIG. 7 is a bottom view thereof; and,
 FIG. 8 is a top view thereof.

The broken line showing of the cord in FIG. 2 depicts environment and forms no part of the claimed design. All other broken lines depict portions of the media case that form no part of the claimed design.

1 Claim, 6 Drawing Sheets



(56)

References Cited

U.S. PATENT DOCUMENTS

D750,478 S * 3/2016 Kiss D9/423
D809,470 S * 2/2018 Dancsecs D14/132
D809,471 S * 2/2018 Dancsecs D14/132
D813,535 S * 3/2018 Faulkner D3/247
D822,106 S * 7/2018 Mahbubani D19/1
10,080,407 B2 * 9/2018 Jackson A45C 1/06
D831,480 S * 10/2018 Arazi D9/433
D846,873 S * 4/2019 Wood D3/247
10,388,189 B2 * 8/2019 Rose B42D 15/045
D860,310 S * 9/2019 Martensson D19/26
D860,311 S * 9/2019 Sindo D19/26
D863,424 S * 10/2019 Nicodemus D19/26
D883,084 S * 5/2020 Sinclair D9/432
D920,428 S * 5/2021 Casillas D19/26
D921,106 S * 6/2021 Casillas D19/2
D921,107 S * 6/2021 Casillas D19/26
2006/0024125 A1 * 2/2006 Johnson B42F 13/0006
402/73
2006/0134591 A1 * 6/2006 Karat B42D 15/022
434/308
2009/0211126 A1 * 8/2009 Oh G09F 27/00
40/124.03
2017/0297360 A1 * 10/2017 Milon G09F 1/04
2021/0130062 A1 * 5/2021 Hafen B65D 75/522

* cited by examiner

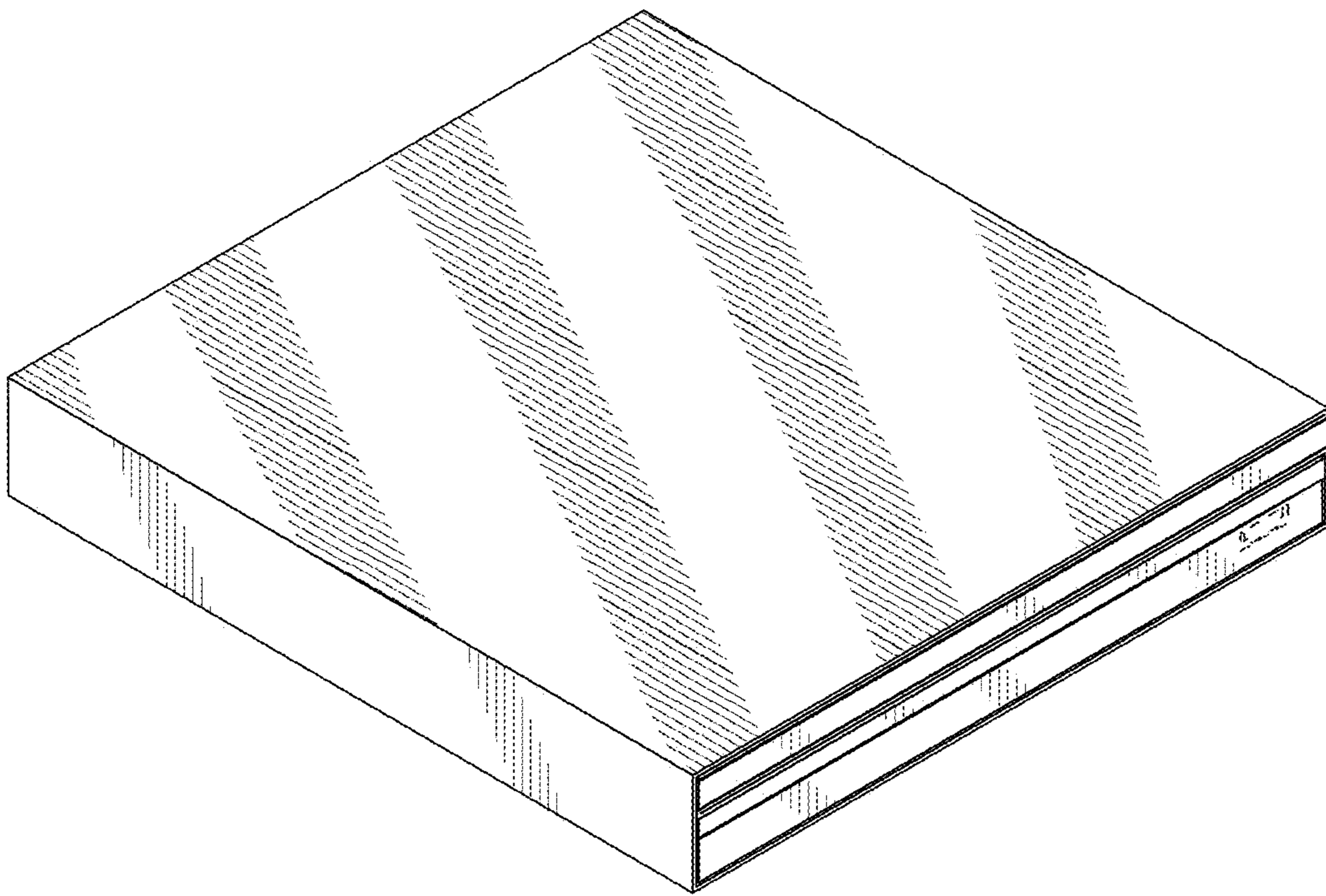


FIG. 1

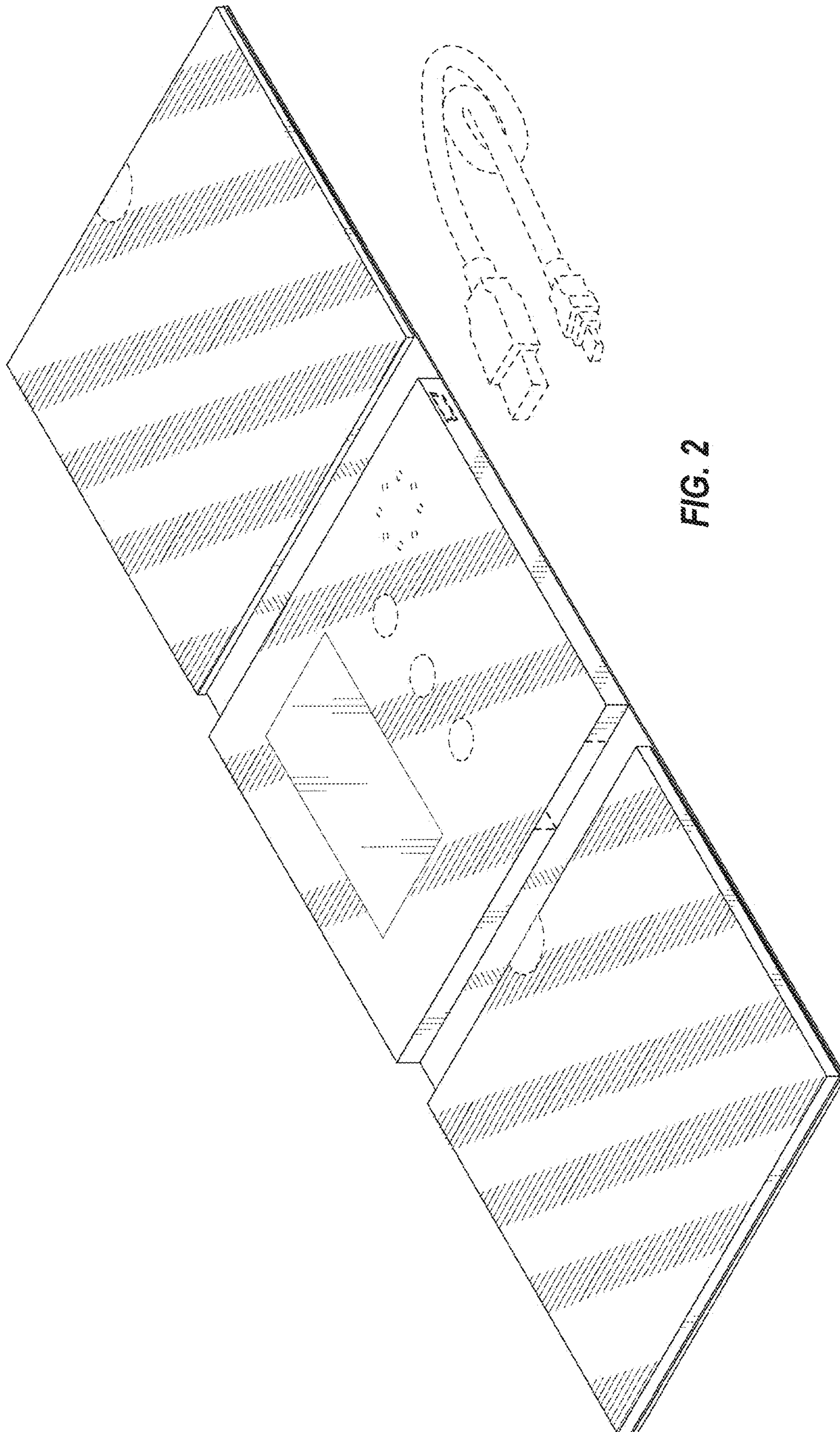


FIG. 2

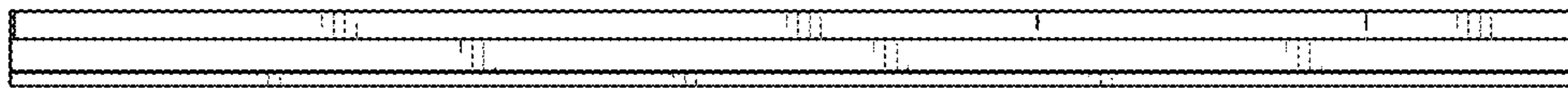


FIG. 3



FIG. 4

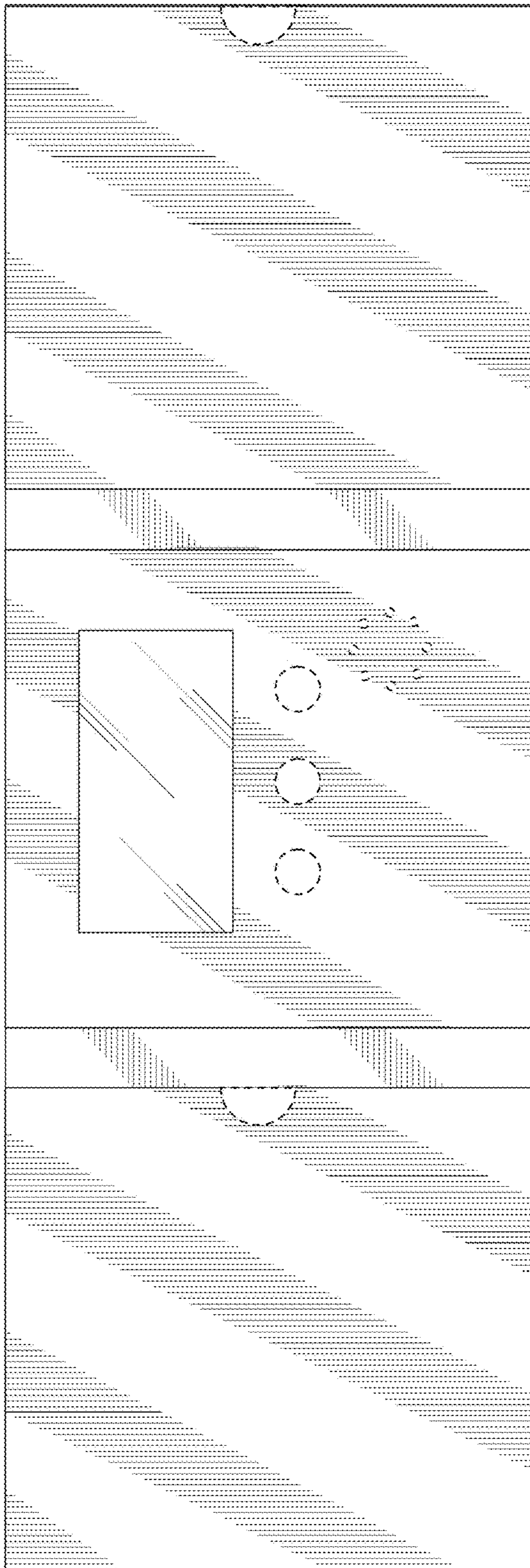


FIG. 5



FIG. 6



FIG. 7



FIG. 8