



US00D948333S

(12) **United States Design Patent**
Zhang

(10) **Patent No.:** **US D948,333 S**

(45) **Date of Patent:** **** Apr. 12, 2022**

(54) **FOOD CONTAINER**

(71) Applicant: **Jinying Zhang**, Shaoyang (CN)

(72) Inventor: **Jinying Zhang**, Shaoyang (CN)

(**) Term: **15 Years**

(21) Appl. No.: **29/783,001**

(22) Filed: **May 11, 2021**

(51) **LOC (13) Cl.** **09-03**

(52) **U.S. Cl.**
USPC **D9/425**

(58) **Field of Classification Search**
USPC D7/400, 601, 608; D9/416, 417, 420,
D9/425-429, 430, 432, 761
CPC . B65D 1/26; B65D 1/40; B65D 5/243; B65D
81/3453; B65D 2581/34; B65D
2581/3404; B65D 2581/3456
See application file for complete search history.

(56) **References Cited**

U.S. PATENT DOCUMENTS

D524,645 S *	7/2006	LaMasney	D9/429
D529,345 S	10/2006	Kim		
7,597,206 B2 *	10/2009	Atkins	B65D 1/36 220/324
D625,995 S *	10/2010	Vovan	D9/429
D668,536 S *	10/2012	Sanfilippo	D9/425
D683,623 S *	6/2013	Chen	D9/426

D718,637 S	12/2014	Han et al.		
9,580,219 B2 *	2/2017	Cimmerer	B65D 43/16
D793,811 S *	8/2017	Ng	D7/540
2010/0102074 A1 *	4/2010	Parikh	B65D 41/32 220/810
2012/0031921 A1 *	2/2012	Cadiente	B65D 43/162 220/835

* cited by examiner

Primary Examiner — Janice Patyk

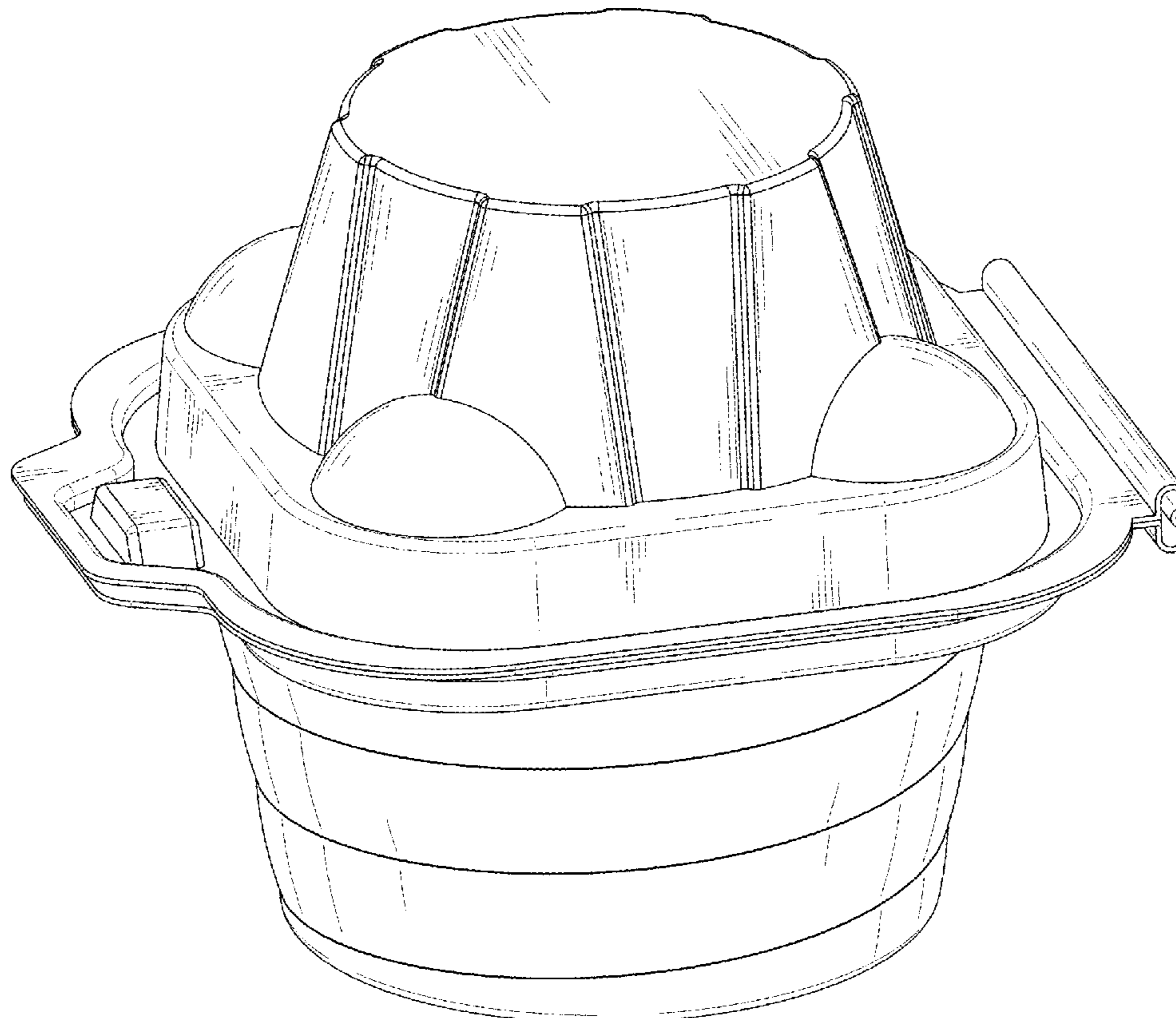
(57) **CLAIM**

The ornamental design for a food container, as shown and described.

DESCRIPTION

FIG. 1 is a top perspective view of a food container showing my new design;
FIG. 2 is a bottom perspective view thereof;
FIG. 3 is a front elevational view thereof
FIG. 4 is a rear elevational view thereof;
FIG. 5 is a left side elevational view thereof;
FIG. 6 is a right side elevational view thereof;
FIG. 7 is a top plan view thereof; and,
FIG. 8 is a bottom plan view thereof.

1 Claim, 8 Drawing Sheets



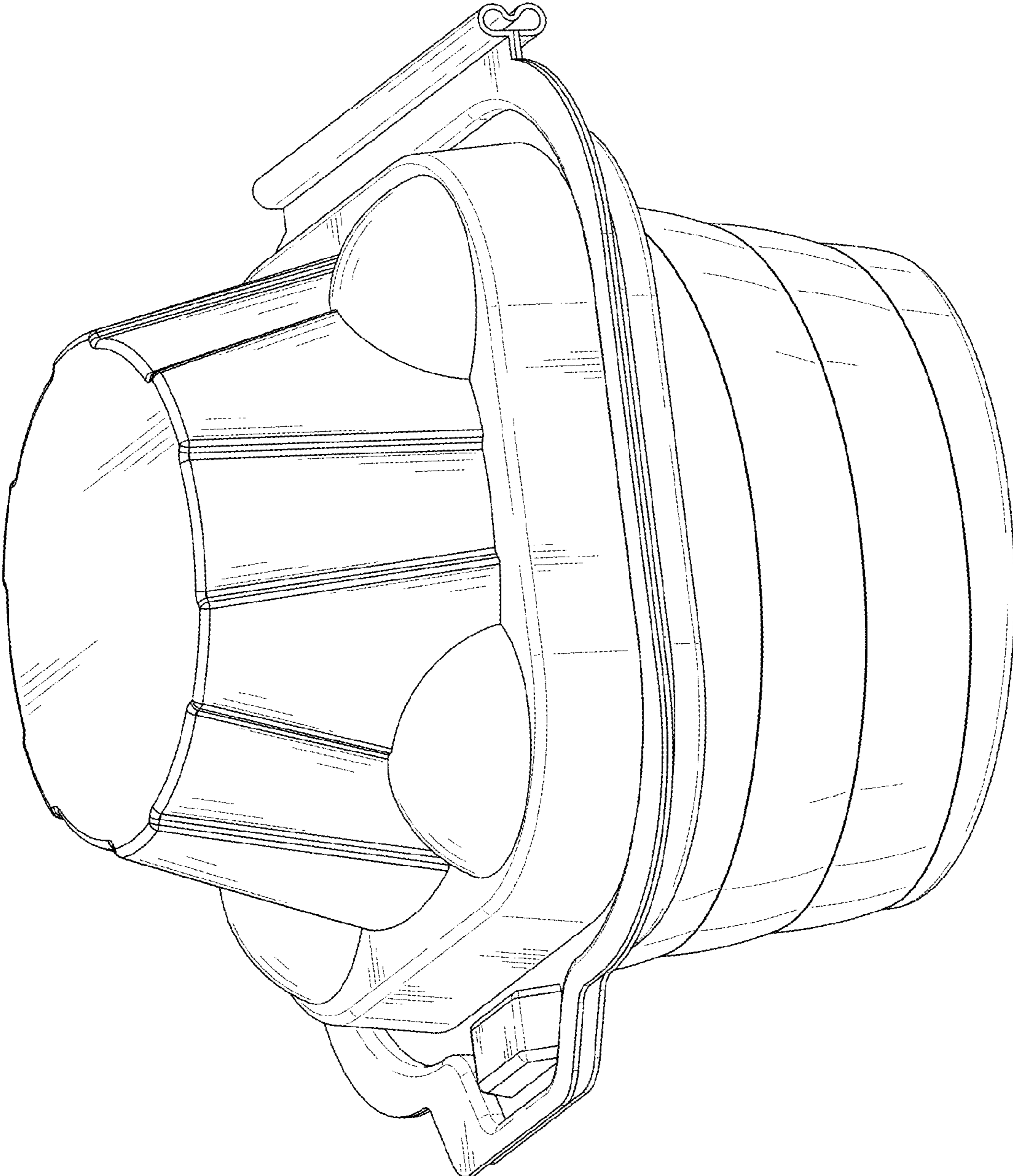


FIG. 1

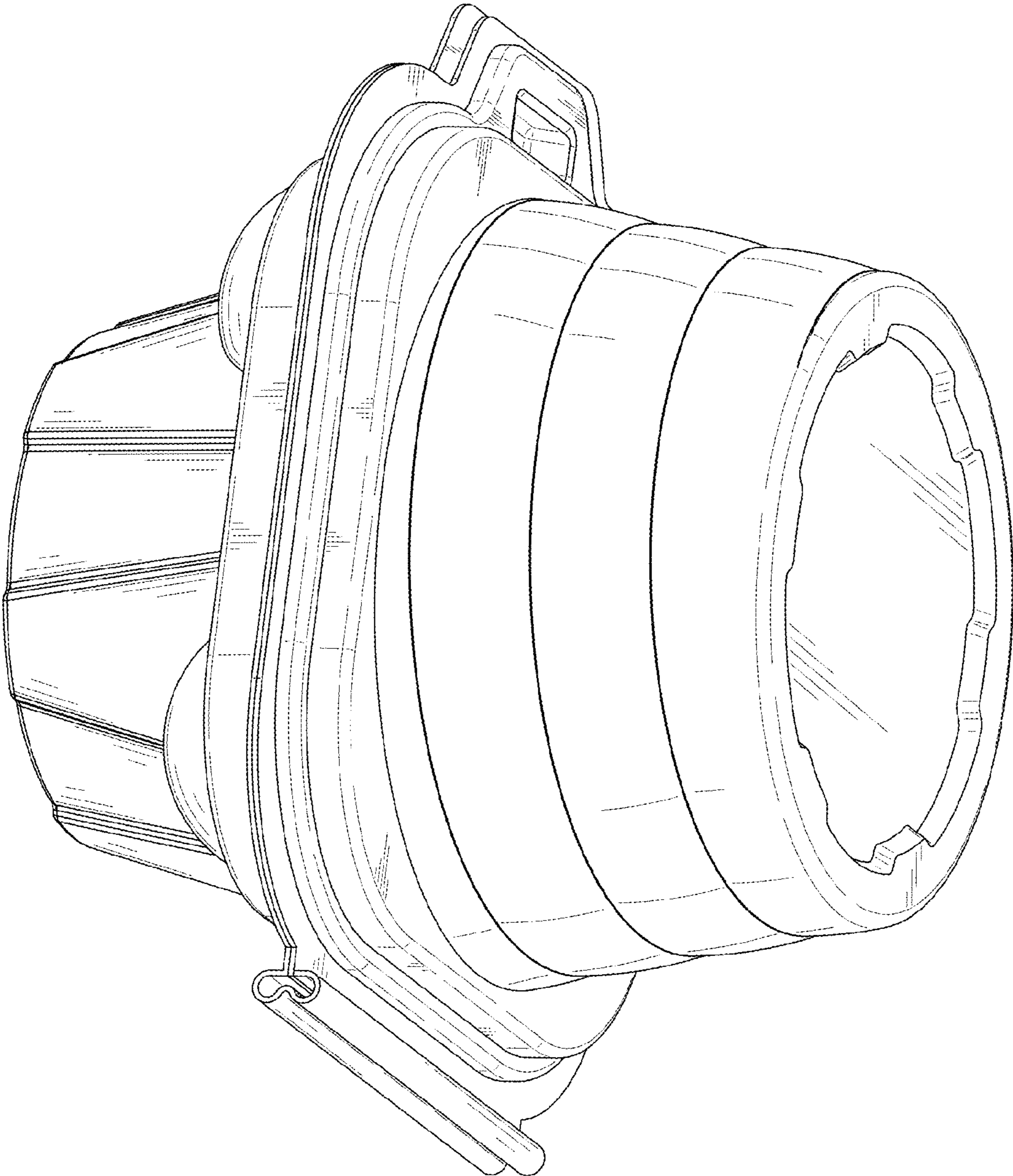


FIG. 2

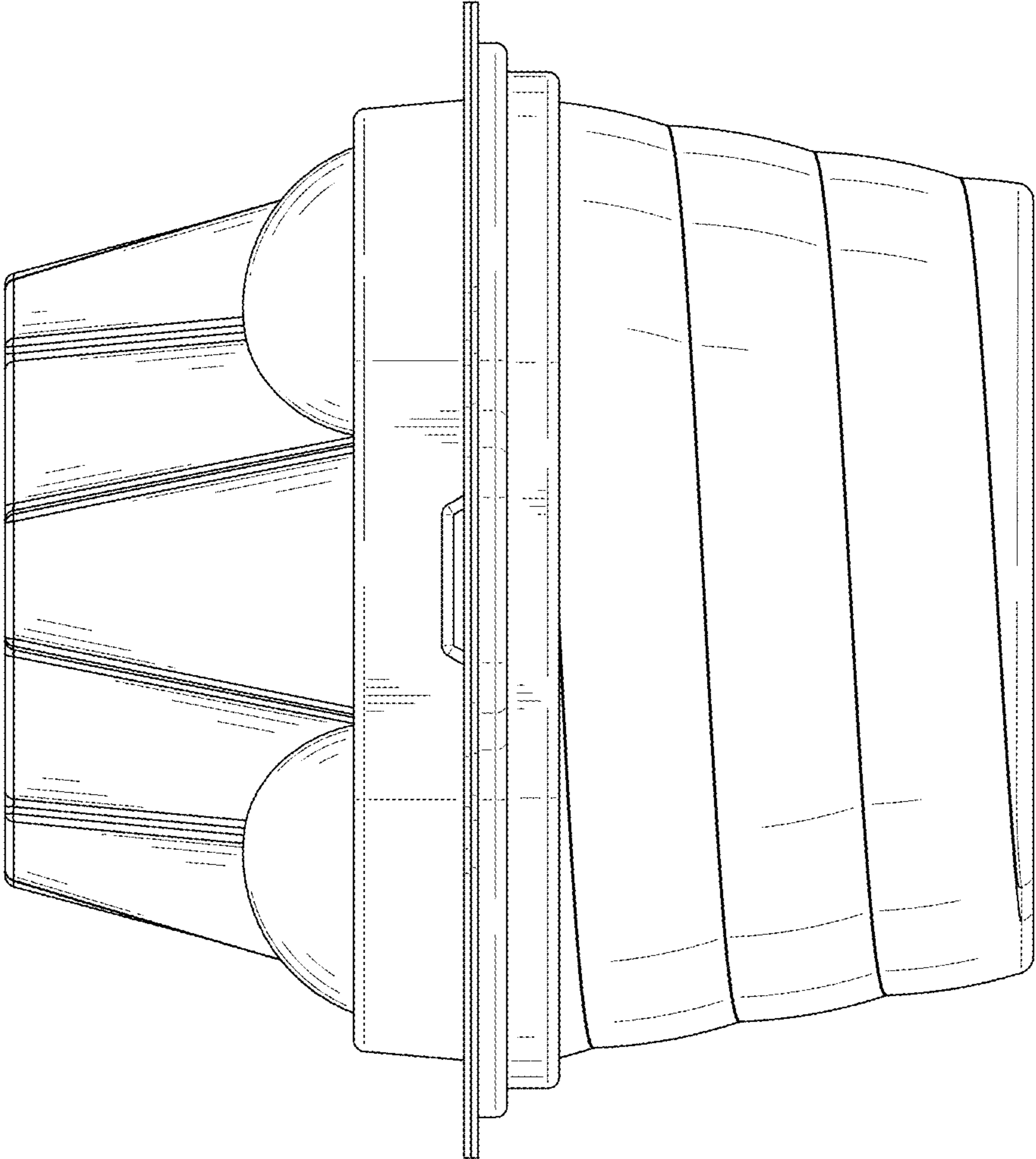


FIG. 3

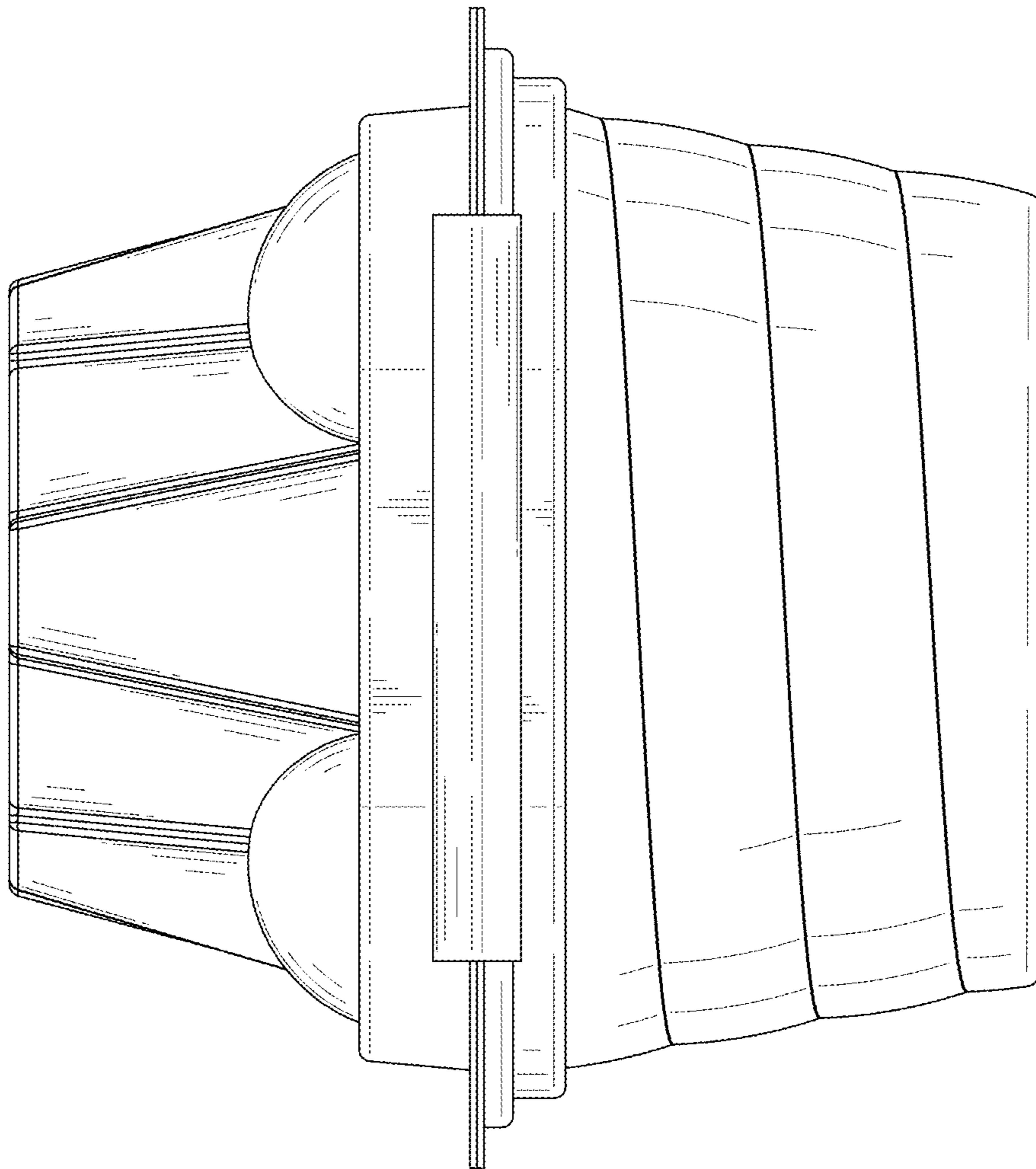


FIG. 4

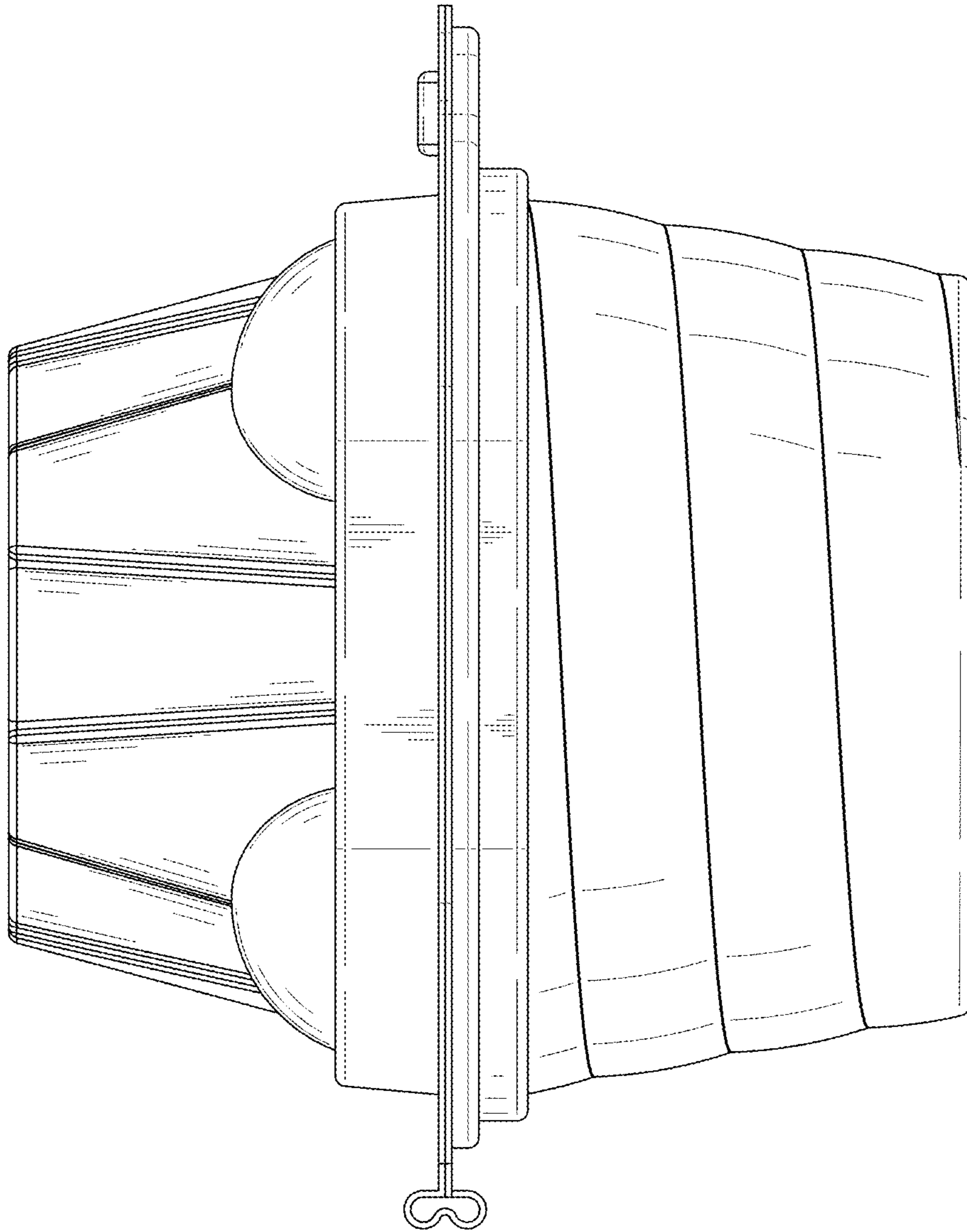


FIG. 5

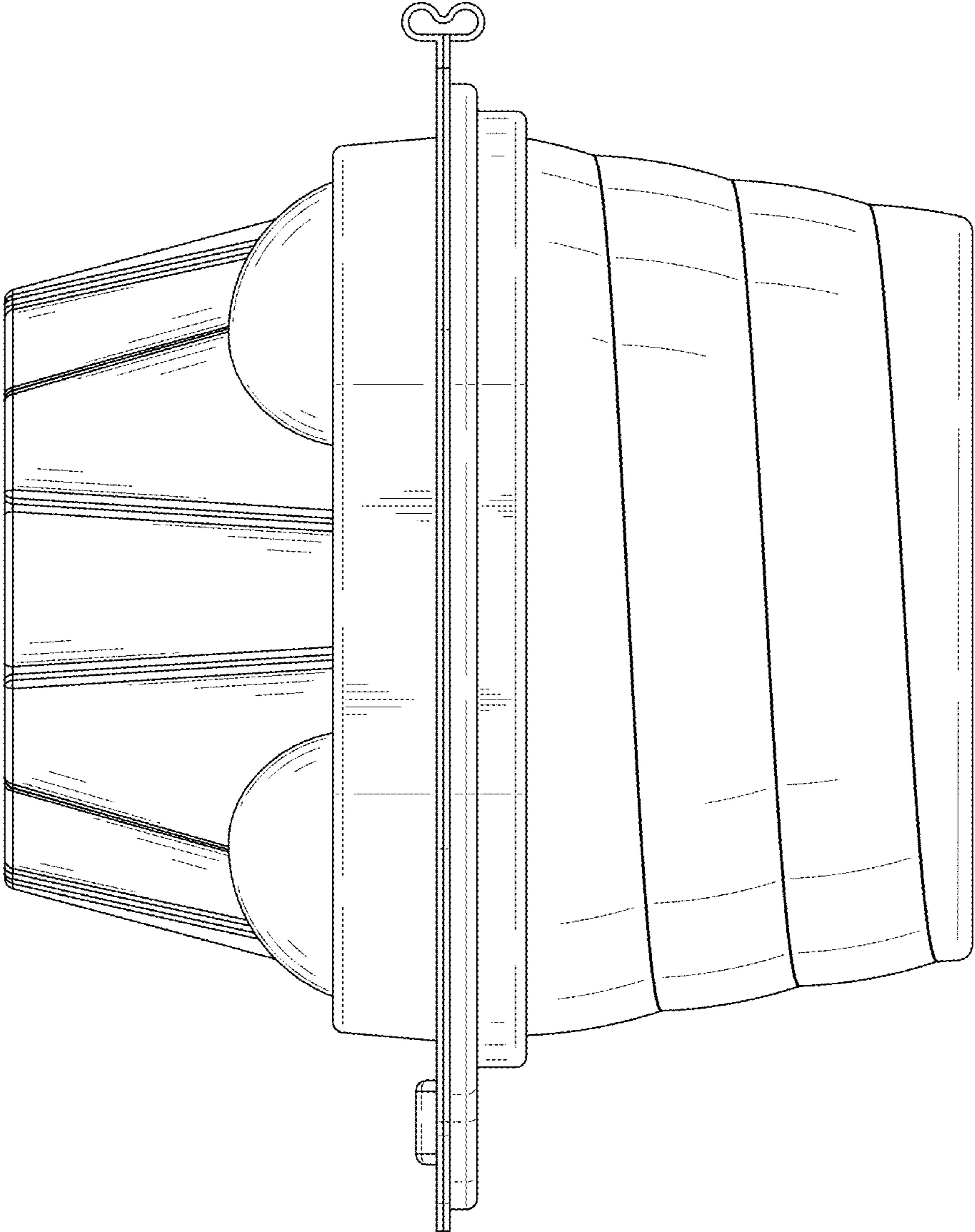


FIG. 6

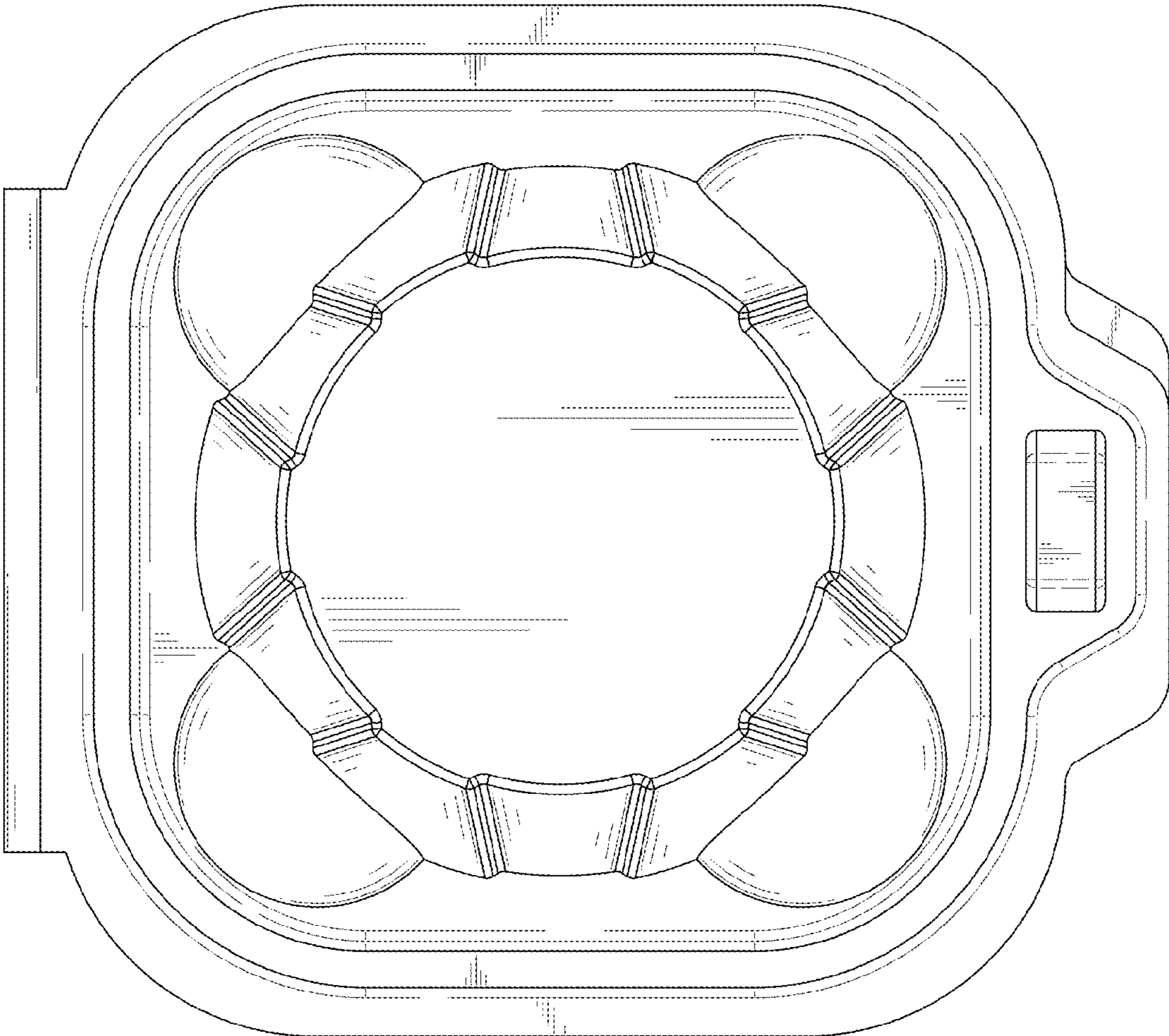


FIG. 7

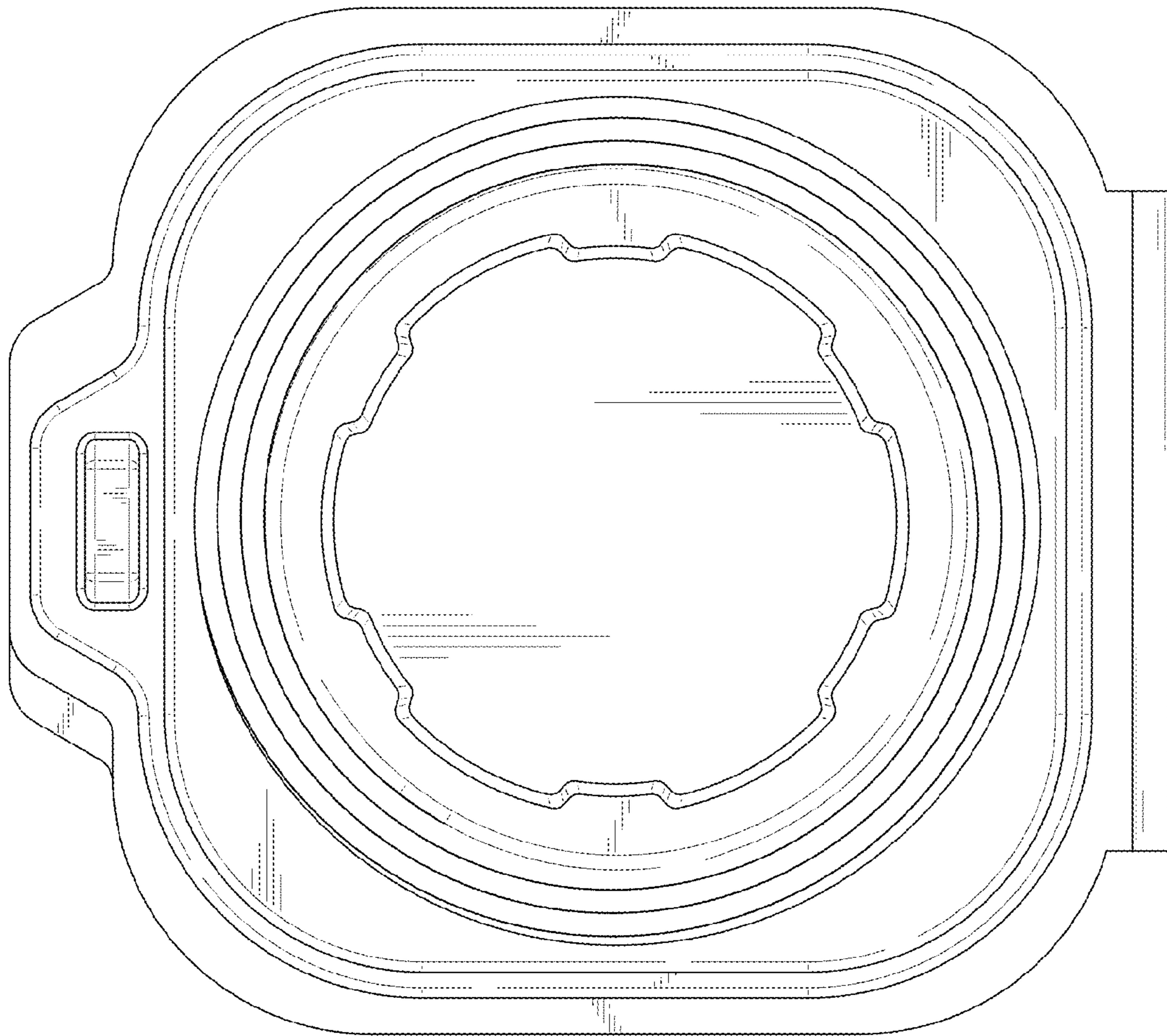


FIG. 8