



US00D948331S

(12) **United States Design Patent**  
**Putnam**

(10) **Patent No.:** **US D948,331 S**

(45) **Date of Patent:** **\*\* Apr. 12, 2022**

(54) **CONTAINER**

3,430,803 A 3/1969 Nelson  
3,448,888 A 6/1969 Smith  
3,589,552 A 6/1971 Fitzgerald  
(Continued)

(71) Applicant: **Kraft Foods Group Brands LLC**,  
Chicago, IL (US)

(72) Inventor: **Michael D. Putnam**, Chicago, IL (US)

(73) Assignee: **Kraft Foods Group Brands LLC**,  
Chicago, IL (US)

FOREIGN PATENT DOCUMENTS

CA 2280153 8/1998  
CA 2444041 10/2002  
(Continued)

(\*\*) Term: **15 Years**

OTHER PUBLICATIONS

(21) Appl. No.: **29/658,520**

Mintel Report; undated; in existence at least as early as Aug. 21, 2017; 80 pages.

(22) Filed: **Jul. 31, 2018**

(51) **LOC (13) Cl.** ..... **09-03**

*Primary Examiner* — Janice Patyk

(52) **U.S. Cl.**

(74) *Attorney, Agent, or Firm* — Fitch, Even, Tabin & Flannery LLP

USPC ..... **D9/425**

(58) **Field of Classification Search**

(57) **CLAIM**

USPC ..... D7/400, 601, 608; D9/416, 417, 420,  
D9/425–429, 430, 432, 761  
CPC . B65D 1/26; B65D 1/40; B65D 5/243; B65D  
81/3453; B65D 2581/34; B65D  
2581/3404; B65D 2581/3456  
See application file for complete search history.

The ornamental design for a container, as shown and described.

**DESCRIPTION**

(56) **References Cited**

U.S. PATENT DOCUMENTS

1,587,167 A 6/1926 Marsden  
1,717,974 A 6/1929 Heinrichs  
2,614,727 A 10/1952 Robinson  
2,695,115 A 11/1954 Roop  
2,780,259 A 2/1957 Nalle  
3,070,257 A 12/1962 Bojanowski  
3,301,459 A 1/1967 Gardner  
3,338,468 A 8/1967 Wilson  
3,362,569 A 1/1968 Geiger  
3,376,046 A 4/1968 Kivett  
3,384,265 A 5/1968 Frank  
3,409,123 A 11/1968 McCormick  
3,419,184 A 12/1968 Asenbauer  
3,421,654 A 1/1969 Hexel

FIG. 1 is a top perspective view of embodiment one, of a container, showing my new design.

FIG. 2 is a top plan view thereof.

FIG. 3 is a front elevation thereof, the rear elevation being identical.

FIG. 4 is a right side elevation thereof, the left side elevation being identical.

FIG. 5 is a bottom view thereof.

FIG. 6 is a top perspective view of embodiment two, of a container, showing my new design.

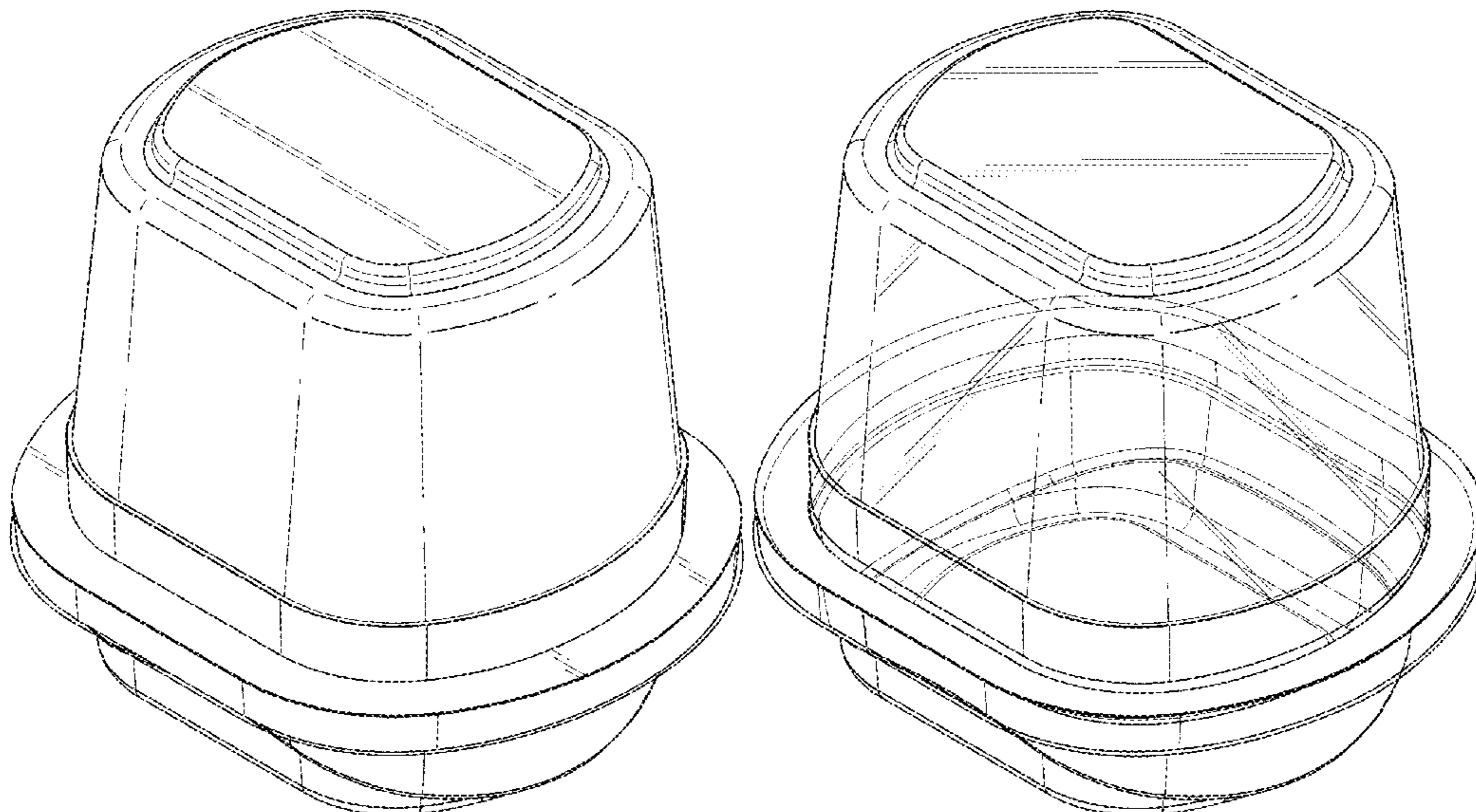
FIG. 7 is a top plan view thereof.

FIG. 8 is a front elevation thereof, the rear elevation being identical.

FIG. 9 is a right side elevation thereof, the left side elevation being identical; and,

FIG. 10 is a bottom view thereof.

**1 Claim, 6 Drawing Sheets**



(56)

References Cited

U.S. PATENT DOCUMENTS

3,651,981 A	3/1972	Kinney	D496,272 S	9/2004	Jackson	
3,670,922 A	6/1972	Phillips	6,786,351 B2	9/2004	Krueger	
3,759,437 A	9/1973	Amberg	D501,366 S	2/2005	Claypool	
3,777,968 A	12/1973	Law	D502,394 S	3/2005	Jackson	
3,903,676 A	9/1975	Kinney	6,910,599 B2	6/2005	Tucker	
3,904,063 A	9/1975	Hauser	D511,074 S	11/2005	Claypool	
D238,137 S	12/1975	Swett	7,017,775 B2	3/2006	Zettle	
3,967,731 A	7/1976	Boduch	D521,380 S	5/2006	Jackson	
3,989,142 A	11/1976	Gwilliam	D524,605 S	7/2006	Czebiniak	
4,061,241 A	12/1977	Retelny	D529,797 S	10/2006	Wilcox	
4,082,184 A	4/1978	Hammer	D532,293 S	11/2006	Martin	
4,111,303 A	9/1978	Compton	D533,451 S	12/2006	McCumber	
4,113,095 A	9/1978	Dietz	D533,452 S	12/2006	Vogel	
4,124,120 A	11/1978	Day	D538,642 S	3/2007	Bouveret	
D250,929 S	1/1979	Gerstman	D540,039 S	4/2007	vanBeuningen	
4,234,100 A	11/1980	Chabot	7,207,457 B2	4/2007	Schwarz	
4,286,713 A	9/1981	Marchais	D541,648 S	5/2007	Bennett	
4,341,324 A	7/1982	Ramirez	D544,790 S	6/2007	Bouveret	
4,401,225 A	8/1983	Schwaikert	D545,134 S	6/2007	Hayes	
4,420,093 A	12/1983	VonHoldt	D547,115 S	7/2007	Bouveret	
D274,030 S	5/1984	Daenen	D547,179 S *	7/2007	Bouveret	D9/428
D276,401 S	11/1984	Daenen	D548,587 S	8/2007	DuVal	
4,494,679 A	1/1985	Cleevly	D548,588 S	8/2007	Bouveret	
4,512,493 A	4/1985	VonHoldt	D549,050 S	8/2007	Spencer	
4,542,029 A	9/1985	Caner	7,261,219 B2	8/2007	Tucker	
D285,906 S	9/1986	Tyler	D562,147 S	2/2008	Park	
D286,026 S	10/1986	Rayner	D562,148 S	2/2008	Park	
D287,573 S	1/1987	Tyler	D563,157 S	3/2008	Bouveret	
4,645,086 A	2/1987	Rosenthal	D563,237 S	3/2008	Park	
4,747,510 A	5/1988	Mack	D564,287 S	3/2008	Bouveret	
4,787,527 A	11/1988	Monetti	D568,693 S	5/2008	Furlong	
4,832,202 A	5/1989	Newman	D568,694 S	5/2008	Furlong	
D321,456 S	11/1991	Wolff	D571,200 S	6/2008	Bouveret	
D330,311 S	10/1992	Narsutis	D575,994 S	9/2008	Faulon	
D330,312 S	10/1992	Narsutis	D581,266 S	11/2008	Vovan	
D336,017 S	6/1993	Smith	D584,145 S	1/2009	Young	
5,294,015 A	3/1994	Landis	D585,699 S	2/2009	Furlong	
5,377,860 A	1/1995	Littlejohn	D586,179 S	2/2009	Furlong	
D360,105 S	7/1995	Doxey	D591,149 S	4/2009	Bonner	
D362,932 S	10/1995	Brightbill	D591,591 S	5/2009	Moecks	
5,542,234 A	8/1996	Wyslotsky	D594,328 S	6/2009	Shapiro	
D375,652 S	11/1996	Hayes	D595,128 S	6/2009	Bouveret	
D378,039 S	2/1997	Ferris	D601,416 S *	10/2009	Fosse	D9/425
D383,671 S	9/1997	Phillips	D606,368 S	12/2009	Wu	
D388,325 S	12/1997	Tucker	D606,403 S	12/2009	Diss	
D389,738 S	1/1998	Hlobil	D606,405 S	12/2009	Takata	
D390,109 S	2/1998	Tucker	D606,406 S	12/2009	Takata	
D394,189 S	5/1998	Reynaert	D607,282 S	1/2010	Furlong	
D394,807 S	6/1998	Krupa	D607,315 S	1/2010	George	
D398,812 S	9/1998	Laib	D607,329 S	1/2010	Diss	
5,839,603 A	11/1998	Smith	D610,903 S	3/2010	Shapiro	
D409,085 S	5/1999	Wyslotsky	D611,303 S *	3/2010	Cimmerer	B65D 43/0206 D7/538
D414,650 S	10/1999	Lillelund	D612,732 S	3/2010	Takata	
D416,797 S	11/1999	Rabe	D613,125 S	4/2010	Sierra	
D418,056 S	12/1999	Johnson	D614,949 S	5/2010	Schmidt	
D425,416 S	5/2000	Denham	7,726,483 B2	6/2010	Ramanujam	
D429,150 S	8/2000	Lindsay	D621,664 S	8/2010	Heiberg	
D429,646 S	8/2000	Goettner	D621,667 S	8/2010	Ablo	
6,170,696 B1	1/2001	Tucker	D630,512 S	1/2011	Venier	
D438,794 S	3/2001	Miles	D630,900 S	1/2011	Samartgis	
6,213,301 B1	4/2001	Landis	D630,901 S	1/2011	Samartgis	
6,325,213 B1	12/2001	Landis, II	D630,940 S	1/2011	Shapiro	
D459,225 S	6/2002	Baxter	D631,298 S	1/2011	Samartgis	
6,467,647 B1	10/2002	Tucker	D631,708 S	2/2011	Smyers	
D467,800 S	12/2002	Chen	D632,559 S	2/2011	Georgiadis	
D468,201 S	1/2003	Huber	D633,757 S	3/2011	Smyers	
D469,320 S	1/2003	Pettaweebuncha	D638,700 S	5/2011	Bouveret	
D469,689 S	2/2003	Buchalski	D638,701 S	5/2011	Shapiro	
D476,861 S	7/2003	Zettle	7,938,286 B2	5/2011	Vogel	
D477,225 S	7/2003	Pinnavaia	7,942,286 B2	5/2011	Shiffer	
6,651,847 B2	11/2003	Mekata	D639,186 S	6/2011	Shapiro	
D484,005 S	12/2003	Levien	D639,656 S	6/2011	Shapiro	
6,672,473 B2	1/2004	Torniainen	D640,926 S	7/2011	Turchi	
D488,718 S	4/2004	Passerini	D641,211 S	7/2011	Olivari	
D489,975 S	5/2004	Jackson	D641,628 S	7/2011	Baughman	
			D643,284 S	8/2011	Zomorodi	
			D643,713 S *	8/2011	Lawrence	D9/430
			8,006,863 B2	8/2011	Albrecht	

(56)

References Cited

U.S. PATENT DOCUMENTS

D644,888 S 9/2011 Samartgis  
 D645,738 S 9/2011 Shiffer  
 D645,748 S 9/2011 Sharma  
 D646,160 S 10/2011 Shiffer  
 D646,968 S 10/2011 Ortiz  
 D647,358 S 10/2011 Smyers  
 D647,360 S 10/2011 Smyers  
 D647,397 S 10/2011 Inaba  
 D648,629 S 11/2011 Zomorodi  
 D649,872 S 12/2011 Bouveret  
 D649,873 S 12/2011 Bouveret  
 D650,660 S 12/2011 Shiffer  
 D650,661 S 12/2011 Shiffer  
 D650,662 S 12/2011 Shiffer  
 D650,663 S 12/2011 Shiffer  
 D651,865 S 1/2012 Smyers  
 D652,266 S 1/2012 Smyers  
 D652,716 S \* 1/2012 Snedden ..... D9/425  
 D653,906 S 2/2012 Bull  
 D655,605 S 3/2012 Baughman  
 D656,009 S 3/2012 Ortiz  
 D656,010 S 3/2012 Ortiz  
 8,152,018 B2 4/2012 Smith  
 D658,931 S 5/2012 Joutras  
 D661,403 S 6/2012 Connelly  
 D661,543 S 6/2012 Bouveret  
 8,205,768 B2 6/2012 Shiffer  
 8,251,242 B2 8/2012 Vovan  
 D666,876 S 9/2012 Rusnak  
 D669,313 S 10/2012 Paladino  
 8,286,823 B2 10/2012 Turvey  
 D671,408 S 11/2012 Golota  
 D672,236 S 12/2012 Zomorodi  
 8,322,530 B2 12/2012 Furlong  
 D675,477 S 2/2013 McGrath, Jr.  
 D675,518 S 2/2013 Wheaton  
 D676,739 S 2/2013 McGrath, Jr.  
 D677,578 S 3/2013 Sina  
 D679,991 S 4/2013 Hudson  
 D682,108 S 5/2013 Berggren  
 D682,696 S 5/2013 Brown  
 D684,017 S 6/2013 Wong  
 D684,855 S 6/2013 BeVier  
 D685,263 S 7/2013 Danenberg  
 D686,072 S 7/2013 Wheaton  
 D686,920 S \* 7/2013 Cassius ..... D9/636  
 D690,194 S \* 9/2013 Snedden ..... D9/425  
 8,528,770 B2 9/2013 Albrecht  
 D693,687 S 11/2013 Karay  
 D696,111 S 12/2013 Sundry  
 D697,762 S 1/2014 Carlson  
 D699,571 S 2/2014 Zomorodi  
 D706,131 S 6/2014 Brooks  
 D706,621 S 6/2014 Tuchrelo  
 D706,622 S \* 6/2014 Bischoff ..... D9/425  
 D708,015 S 7/2014 Carlson  
 D708,016 S 7/2014 Carlson  
 D708,017 S 7/2014 Carlson  
 D708,018 S 7/2014 Carlson  
 D710,696 S 8/2014 Kwon  
 D712,703 S 9/2014 Lipinski  
 8,851,314 B2 10/2014 Hudson  
 D716,613 S 11/2014 Carlson  
 D717,119 S 11/2014 Carlson  
 D717,120 S 11/2014 Carlson  
 D717,121 S 11/2014 Carlson  
 D717,122 S 11/2014 Carlson  
 D718,983 S 12/2014 Yessin  
 D720,613 S 1/2015 Dziaba  
 D723,340 S 3/2015 Maxwell  
 D733,555 S 7/2015 Brady

D734,980 S 7/2015 Lipinski  
 D737,678 S 9/2015 Danenberg  
 D738,111 S 9/2015 Otto  
 D740,029 S 10/2015 Otto  
 D742,223 S 11/2015 Tyberghein  
 D743,746 S \* 11/2015 Bentzen ..... D7/538  
 D746,641 S 1/2016 Panone  
 D748,991 S 2/2016 Cerrato  
 D749,411 S 2/2016 Corsetti  
 D753,992 S 4/2016 Shiffer  
 D756,217 S \* 5/2016 Planer ..... D9/425  
 D756,769 S 5/2016 Tuchrelo  
 D760,075 S 6/2016 Irimia  
 D764,276 S 8/2016 Das  
 D764,277 S 8/2016 Irimia  
 D765,503 S 9/2016 Shiffer  
 D766,079 S 9/2016 Shiffer  
 D772,701 S 11/2016 Dziaba  
 D775,957 S 1/2017 Hunt  
 D779,934 S \* 2/2017 Parikh ..... D9/425  
 D784,137 S 4/2017 Cates  
 D789,786 S 6/2017 Michalas  
 D791,587 S 7/2017 Buck  
 D792,221 S 7/2017 Dziaba  
 D792,765 S 7/2017 Buck  
 D801,808 S 11/2017 Irimia  
 D807,170 S 1/2018 Fisher  
 D811,215 S 2/2018 Wu  
 D811,872 S 3/2018 Wu  
 D824,248 S 7/2018 Tuchrelo  
 D830,168 S 10/2018 Irimia  
 D910,435 S \* 2/2021 Denison ..... D9/425  
 D918,033 S \* 5/2021 Stewart ..... D9/425  
 2005/0173287 A1 8/2005 Smith  
 2007/0062948 A1 3/2007 Albrecht  
 2007/0102438 A1 5/2007 Schwarz  
 2007/0119743 A1 5/2007 Tucker  
 2007/0187277 A1 8/2007 Furlong  
 2008/0035641 A1 2/2008 Foldesi  
 2008/0047960 A1 2/2008 Albrecht  
 2008/0210686 A1 9/2008 Shapiro  
 2009/0026203 A1 1/2009 Selina  
 2009/0134168 A1 5/2009 Morrisette  
 2009/0287144 A1 11/2009 Malkin  
 2009/0314780 A1 12/2009 Selina  
 2010/0015293 A1 1/2010 Shapiro  
 2010/0108556 A1 5/2010 Claffy  
 2010/0170824 A1 7/2010 Ramanujam  
 2010/0236966 A1 9/2010 Luttik  
 2011/0174658 A1 7/2011 Otsubo  
 2012/0000920 A1 1/2012 Anhalt  
 2013/0015096 A1 1/2013 BeVier  
 2016/0194112 A1 7/2016 Dziaba

FOREIGN PATENT DOCUMENTS

CA 99857 4/2003  
 CA 112115 4/2006  
 CA 114247 5/2007  
 CA 110624 8/2007  
 CA 132857 6/2010  
 CA 133386 7/2010  
 CA 2749269 8/2010  
 CA 134427 10/2010  
 CA 134871 11/2010  
 CA 141686 11/2011  
 DE 3703875 8/1988  
 DE 4306982 9/1994  
 DE 29906577 7/1999  
 EP 0575394 12/1993  
 EP 0628490 12/1994  
 EP 0990408 9/2003

\* cited by examiner

FIG. 1

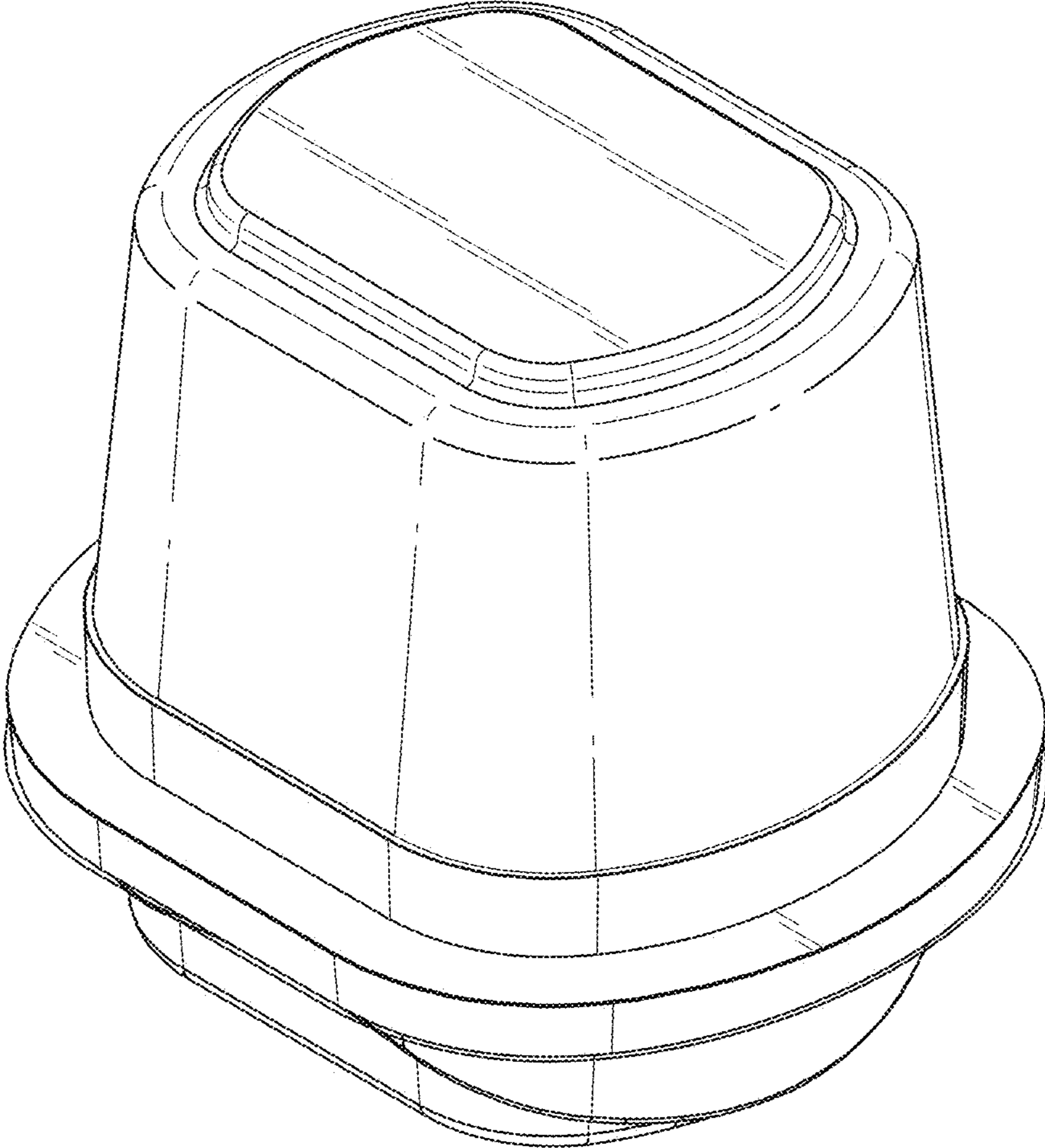


FIG. 2

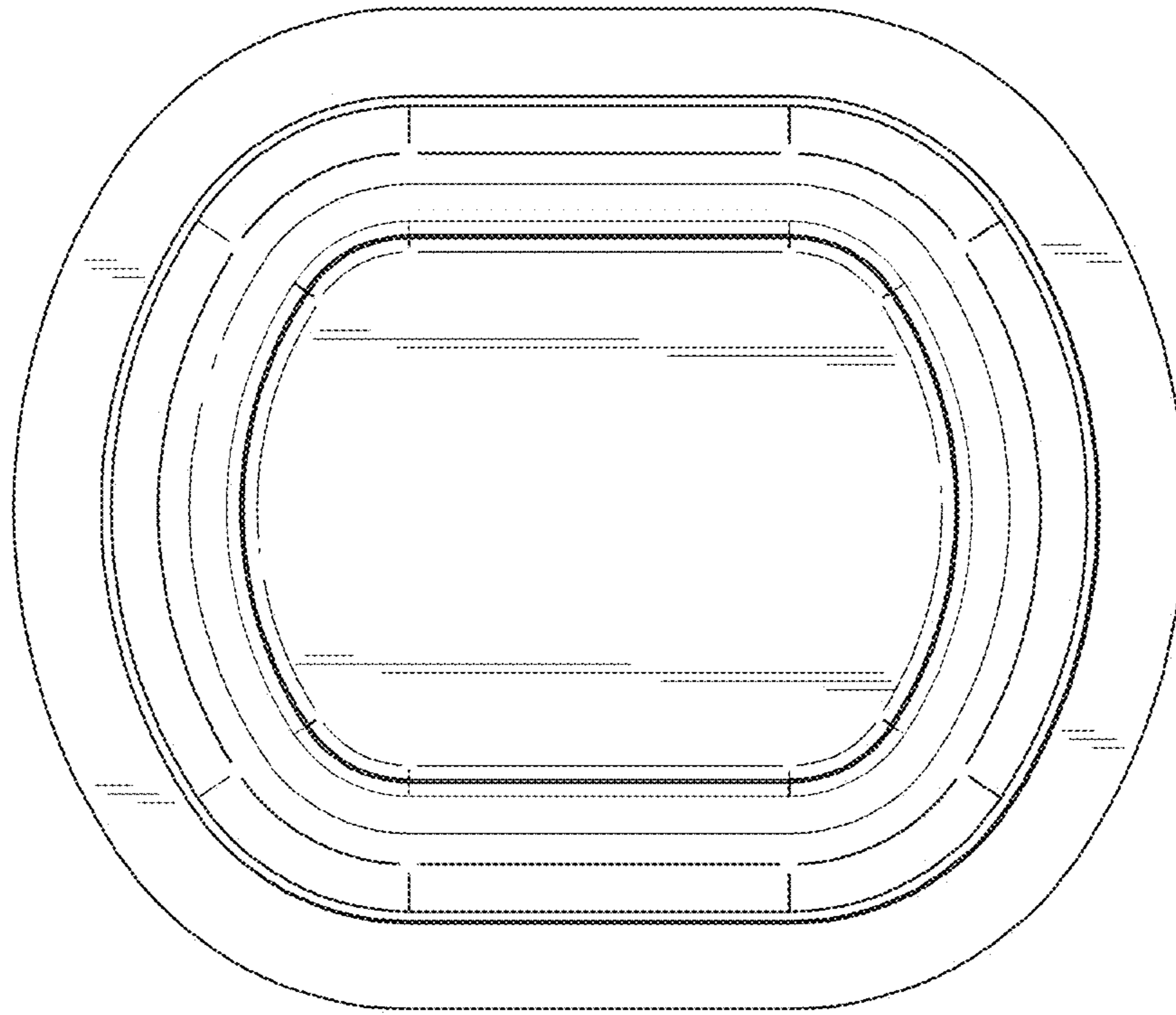


FIG. 3

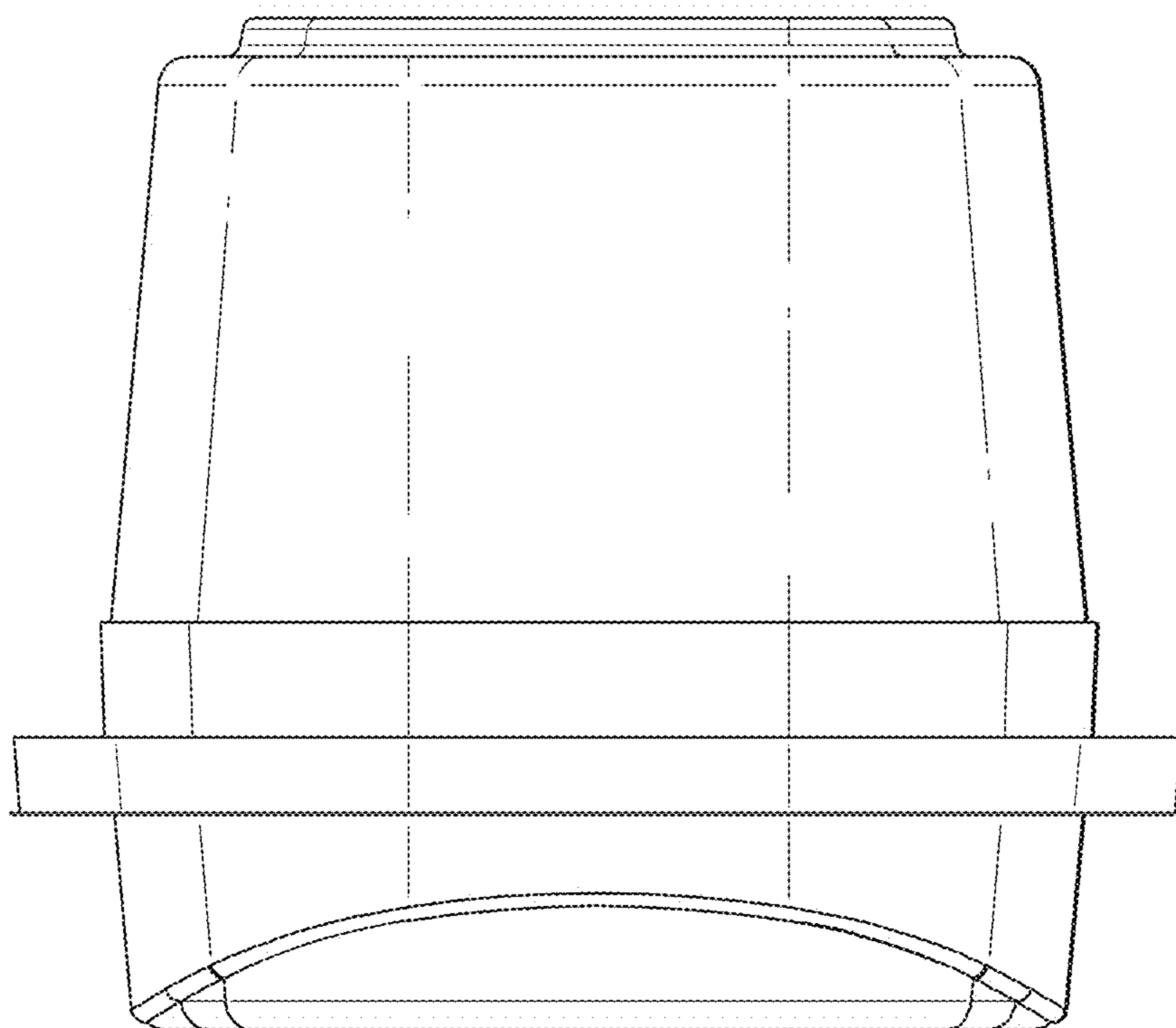


FIG. 4

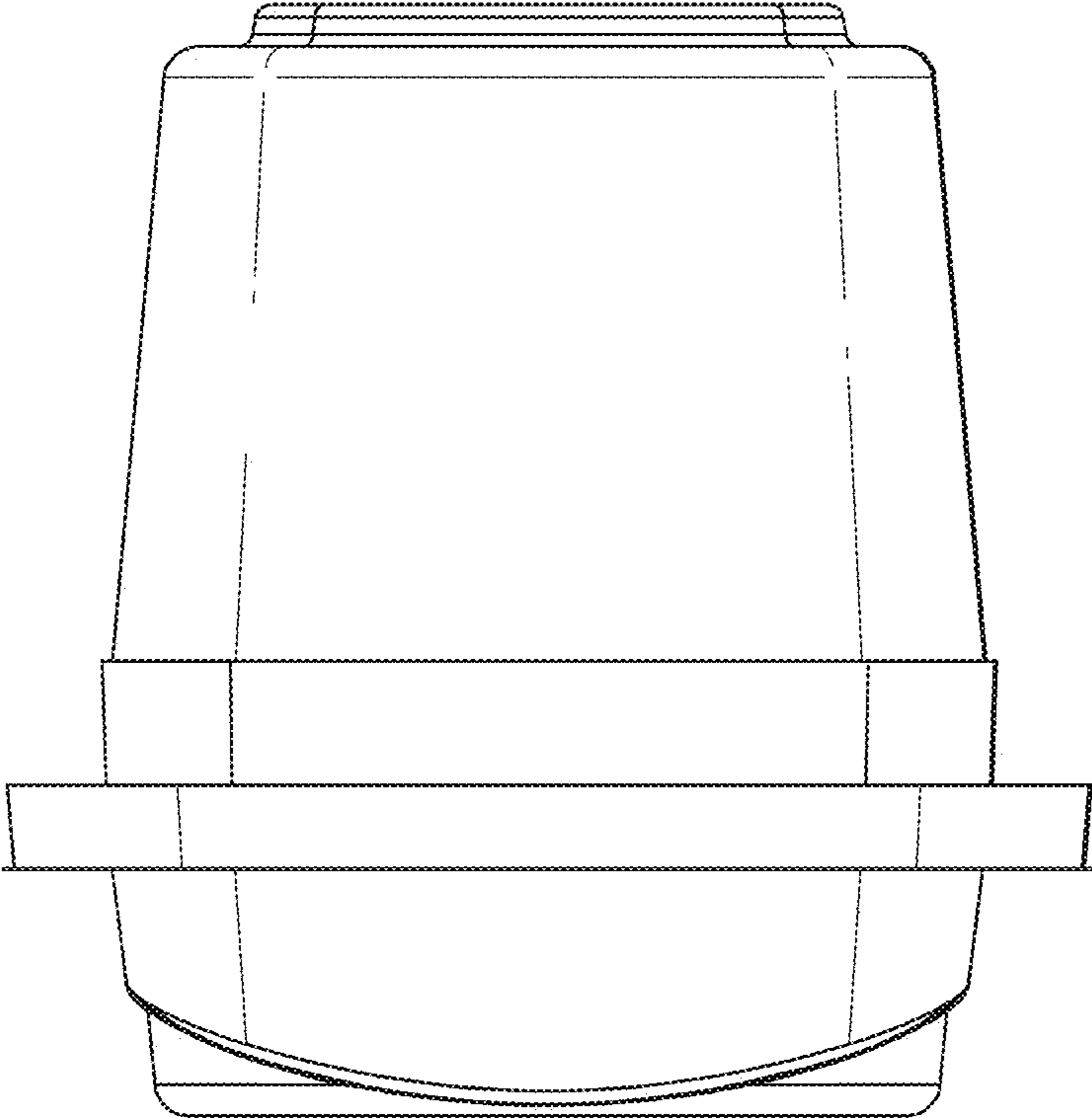


FIG. 5

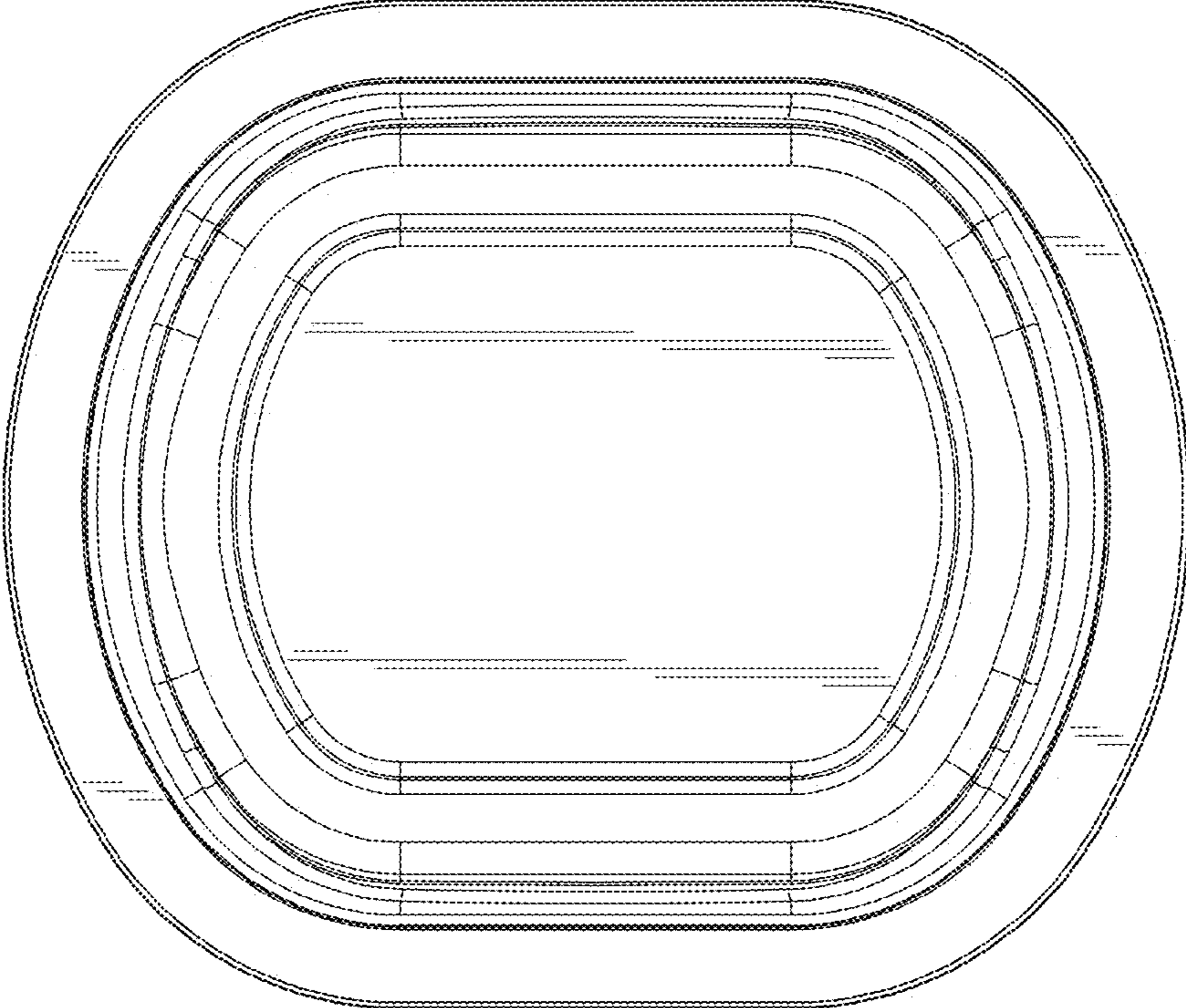


FIG. 6

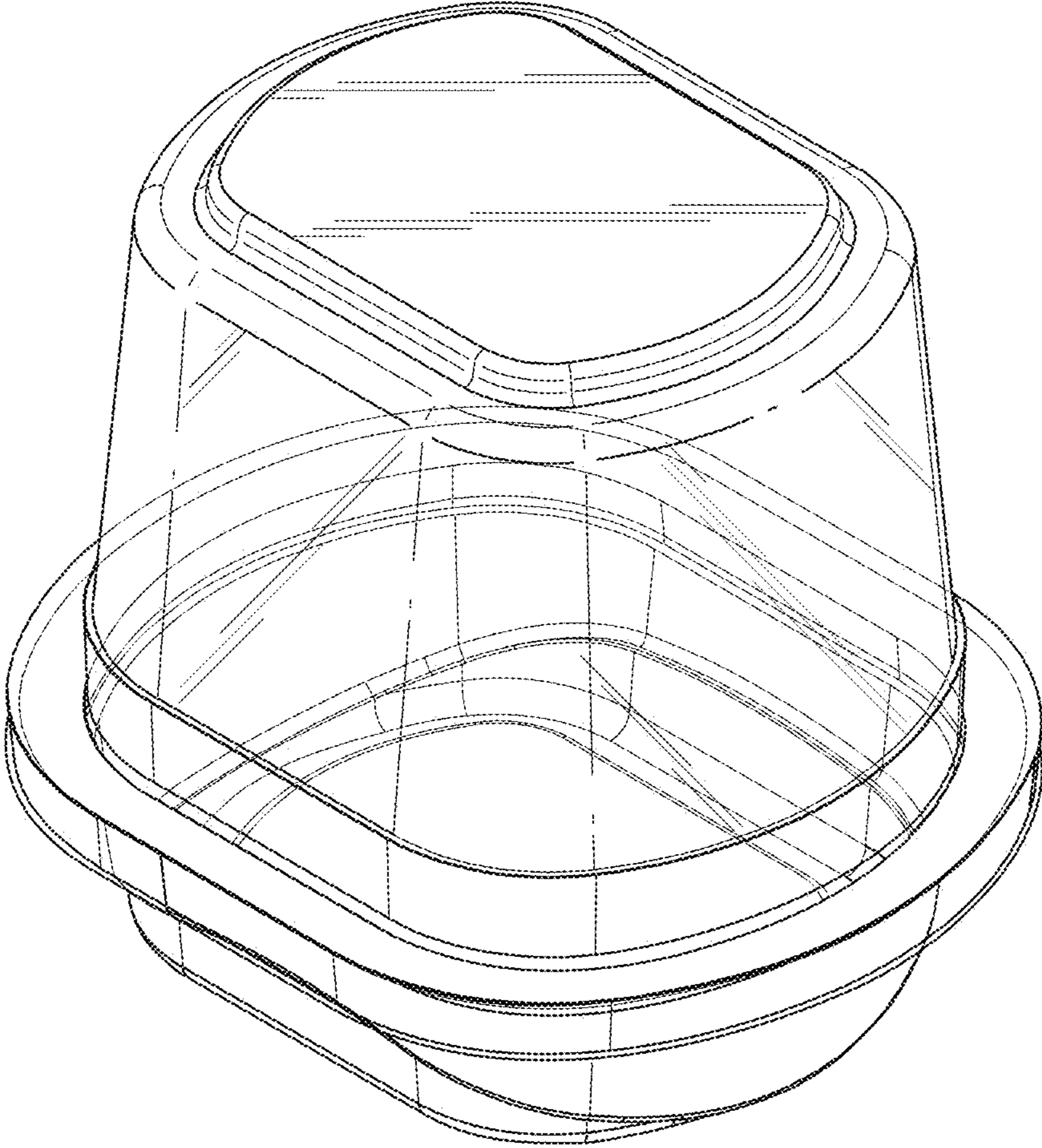


FIG. 7

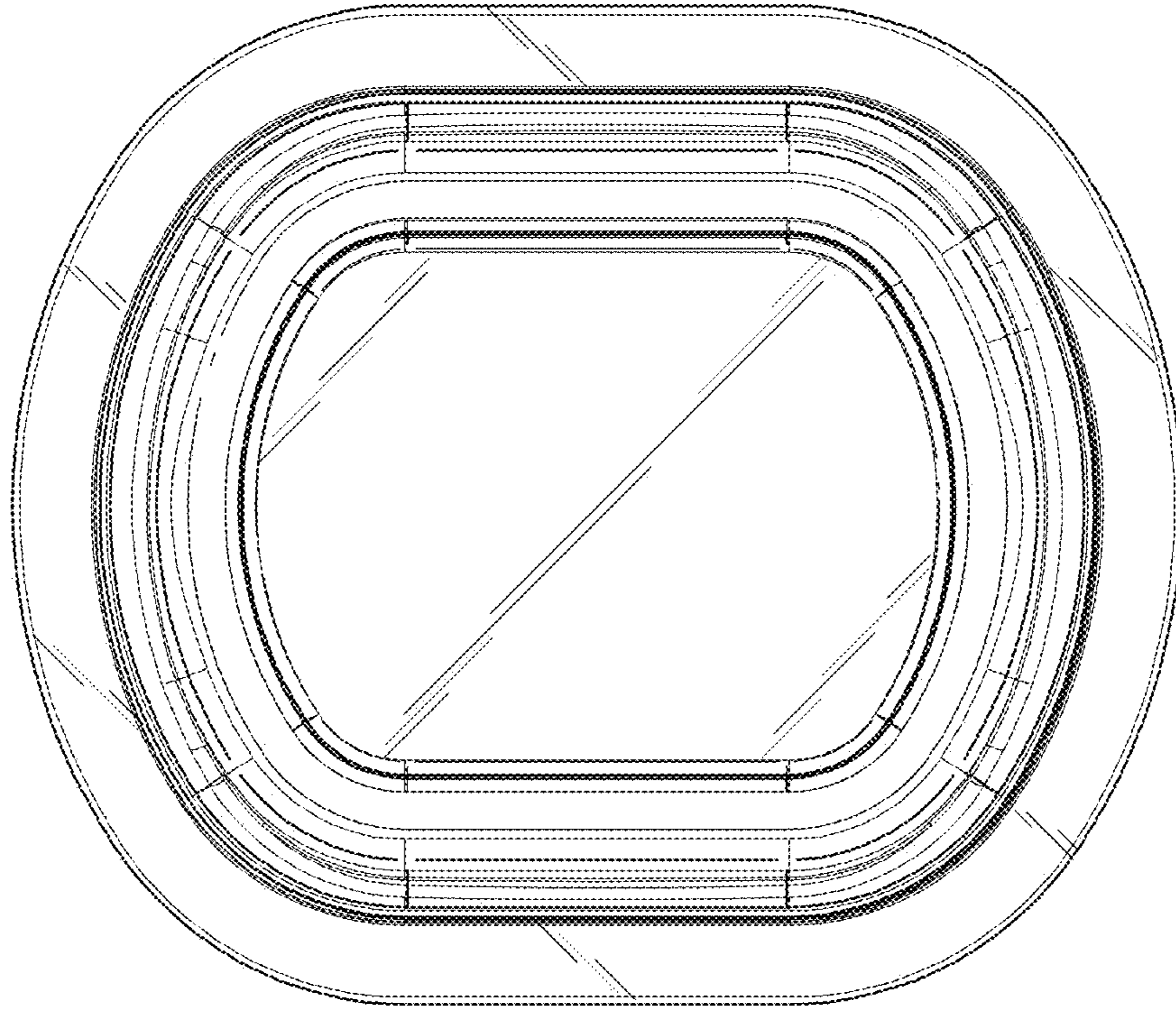


FIG. 8

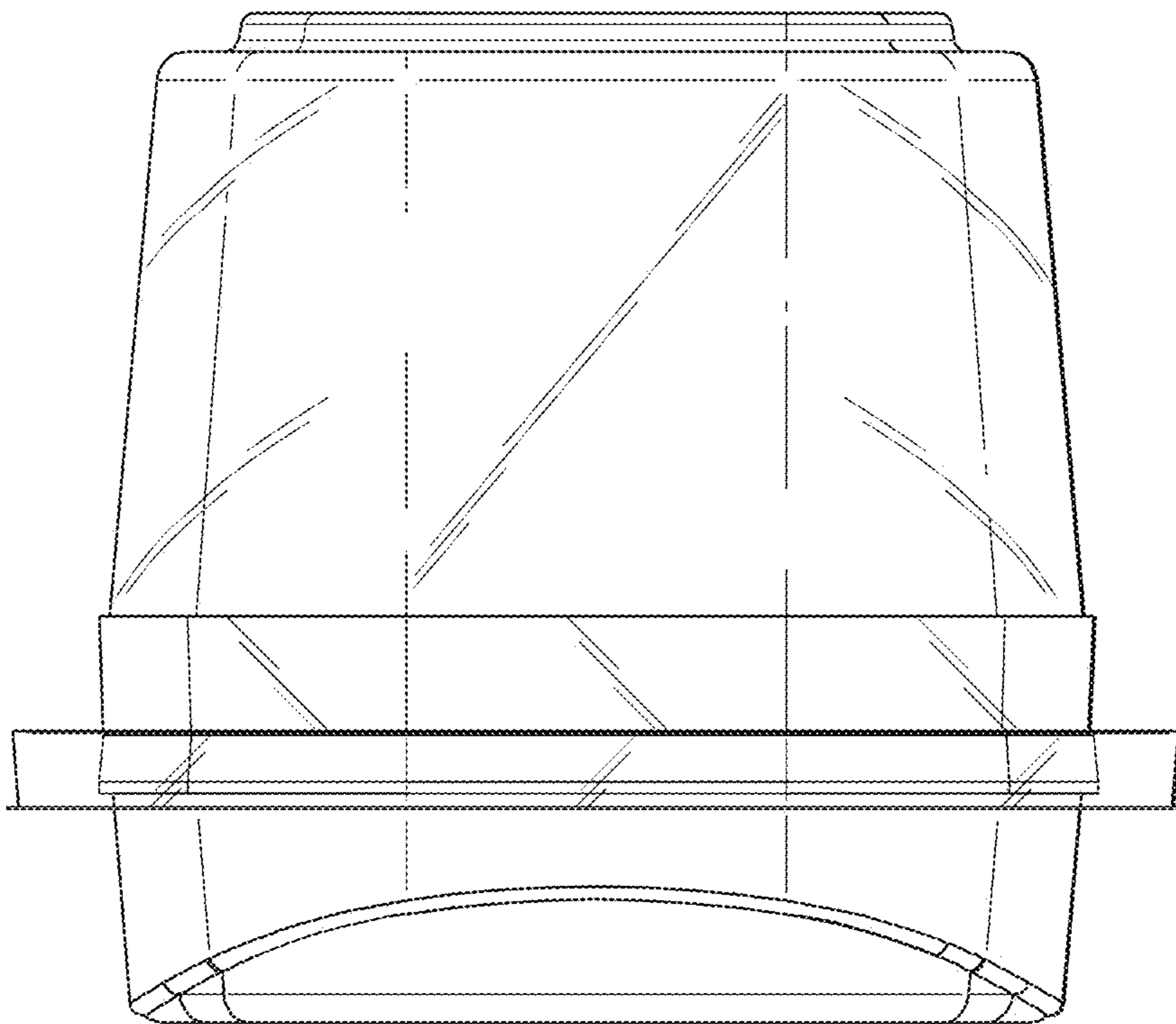




FIG. 9

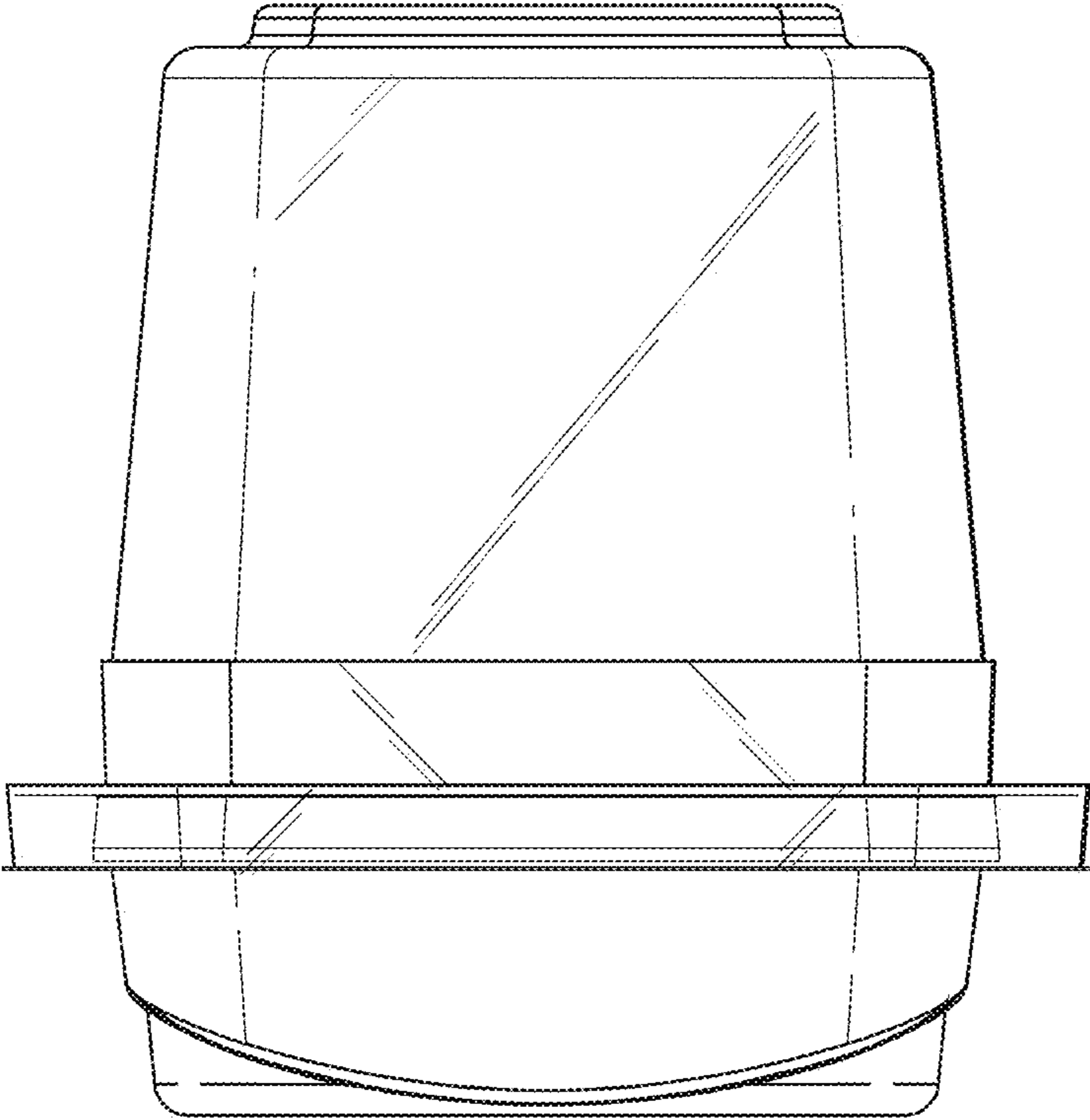


FIG. 10

