



US00D948329S

(12) **United States Design Patent** (10) **Patent No.:** **US D948,329 S**
Cox (45) **Date of Patent:** **** Apr. 12, 2022**

(54) **FASTENER** 2,681,196 A * 6/1954 Lind F16L 3/04
248/71
(71) Applicant: **David Cox**, Waterloo, IA (US) 2,689,702 A 9/1954 Healey, Jr.
2,885,168 A 5/1959 Silverman
(72) Inventor: **David Cox**, Waterloo, IA (US) 3,075,037 A 1/1963 Schlein
3,185,420 A 5/1965 Stewart
(**) Term: **15 Years** (Continued)

(21) Appl. No.: **29/652,494**
(22) Filed: **Sep. 3, 2020**

FOREIGN PATENT DOCUMENTS

KR 301135188.0000 * 11/2021

OTHER PUBLICATIONS

Axle Clamp , first available Jul. 5, 2013, Google.com/Zoro.com, [online], [site visited Dec. 16, 2021], Available from internet URL: <https://www.zoro.com/dayton-axle-clamp-mhaxc001g/i/G2730336/?q=Axle%20Clamp> (Year: NA).*

(Continued)

Primary Examiner — Philip S Hyder
Assistant Examiner — Rozita Mozaffarian
(74) *Attorney, Agent, or Firm* — McKee, Voorhees & Sease, PLC

Related U.S. Application Data

(63) Continuation-in-part of application No. 16/749,789, filed on Jan. 22, 2020, now abandoned.
(51) **LOC (13) Cl.** **08-08**
(52) **U.S. Cl.**
USPC **D8/396**
(58) **Field of Classification Search**
USPC D8/394, 395, 396, 349, 352, 382, 72, 73;
D11/215, 214; D16/242, 245
CPC . E04F 13/0846; E04F 13/0826; E04F 13/142;
E04F 13/0885; E04F 13/0862; E04F
2015/02094
See application file for complete search history.

CLAIM

(57) The ornamental design for a fastener, as shown and described.

References Cited

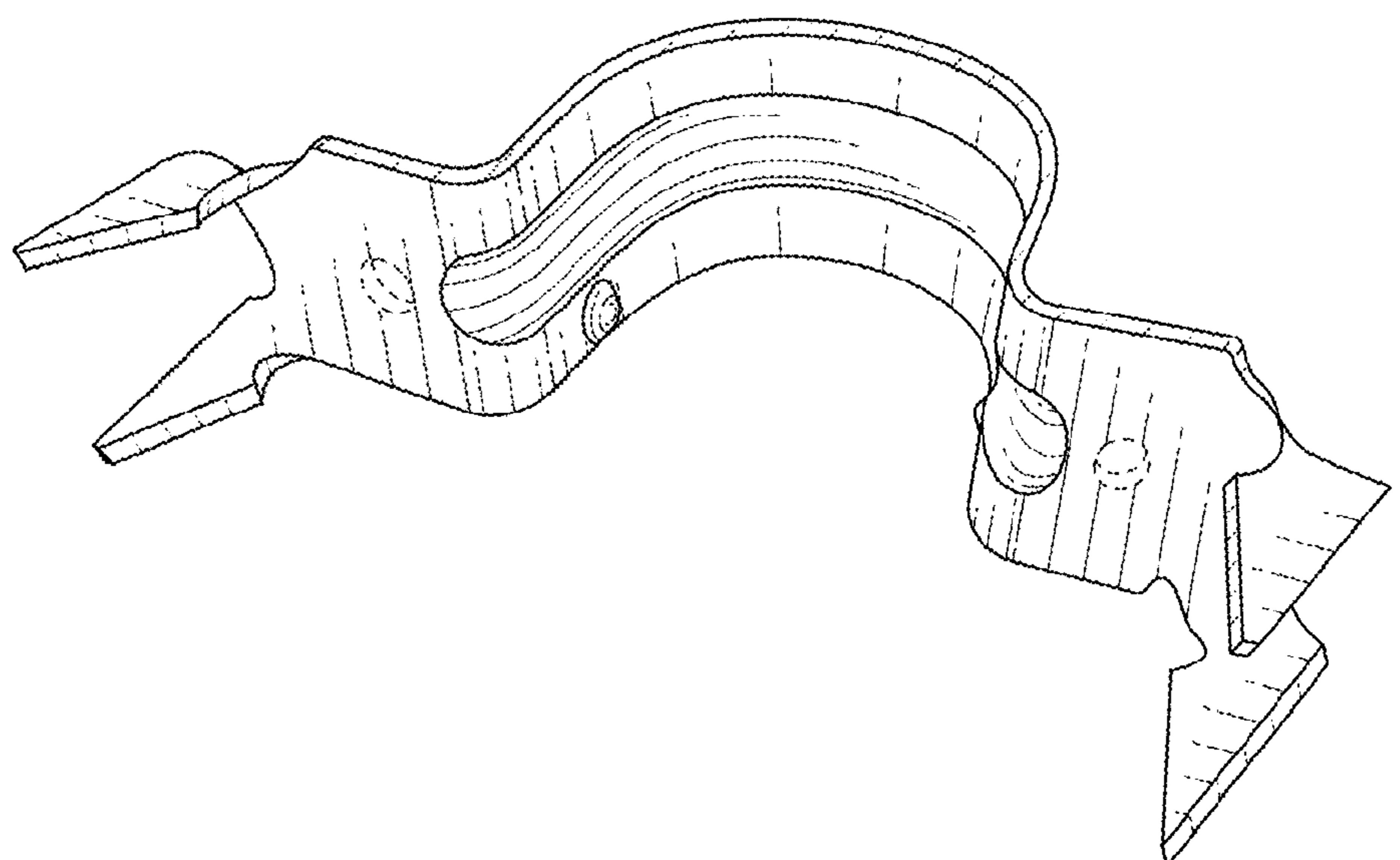
U.S. PATENT DOCUMENTS

(56) 661,604 A 11/1900 Grabler
1,175,802 A 3/1916 Orcutt
1,329,268 A * 1/1920 Dickelmann F16L 3/04
411/461
1,529,881 A 3/1925 Engle
1,981,973 A 11/1934 Tinnerman
2,185,082 A 12/1939 Hooks
2,197,750 A 4/1940 Lagaard
2,230,734 A 2/1941 Van Antwerp
2,282,631 A 5/1942 Winship
2,310,434 A * 2/1943 Hyman F16L 3/04
248/71
2,317,825 A 4/1943 Teas, Sr.

DESCRIPTION

FIG. 1 is a perspective view of a fastener;
FIG. 2 is another perspective view thereof;
FIG. 3 is a front view thereof, the rear view being a mirror image thereof;
FIG. 4 is a left-side view thereof, the right-side view being a mirror image thereof;
FIG. 5 is a top view thereof; and,
FIG. 6 is a bottom view thereof.
Structure, environment, and boundaries shown in broken lines form no part of the claimed design.

1 Claim, 4 Drawing Sheets



(56)

References Cited

U.S. PATENT DOCUMENTS

3,220,679	A *	11/1965	Larson	H02G 7/205
				248/71
3,298,651	A	1/1967	Passer	
3,583,663	A *	6/1971	Snow, Jr.	F16L 3/04
				248/71
D264,494	S	5/1982	Chapa	
4,454,636	A	6/1984	Pearson	
4,935,998	A	6/1990	Frazier et al.	
7,225,590	B1	6/2007	diGirolamo et al.	
7,523,897	B2	4/2009	Boltz et al.	
D754,306	S *	4/2016	Yesavage	D23/262
D754,307	S *	4/2016	Dole	D23/262
D755,621	S *	5/2016	Madara	D8/396
D756,212	S *	5/2016	Wilk, Jr.	D8/396
9,772,049	B2	9/2017	Billimack	
10,501,189	B2	12/2019	Malligere et al.	
2005/0230578	A1	10/2005	Stockton	
2010/0260573	A1	10/2010	Gardner et al.	
2011/0209912	A1	9/2011	Korcz et al.	
2015/0048220	A1	2/2015	Patterson	
2021/0222798	A1 *	7/2021	Cox	F16B 2/08

OTHER PUBLICATIONS

“Rigid/intermediate grade conduit fittings”, www.crouse-hinds.com, Commercial Products Catalog, pp. 27-28, 2019.

“Half Pipe Clamps”, Mainline, Product Specifications, 1 page, revised Sep. 21, 2017.

* cited by examiner

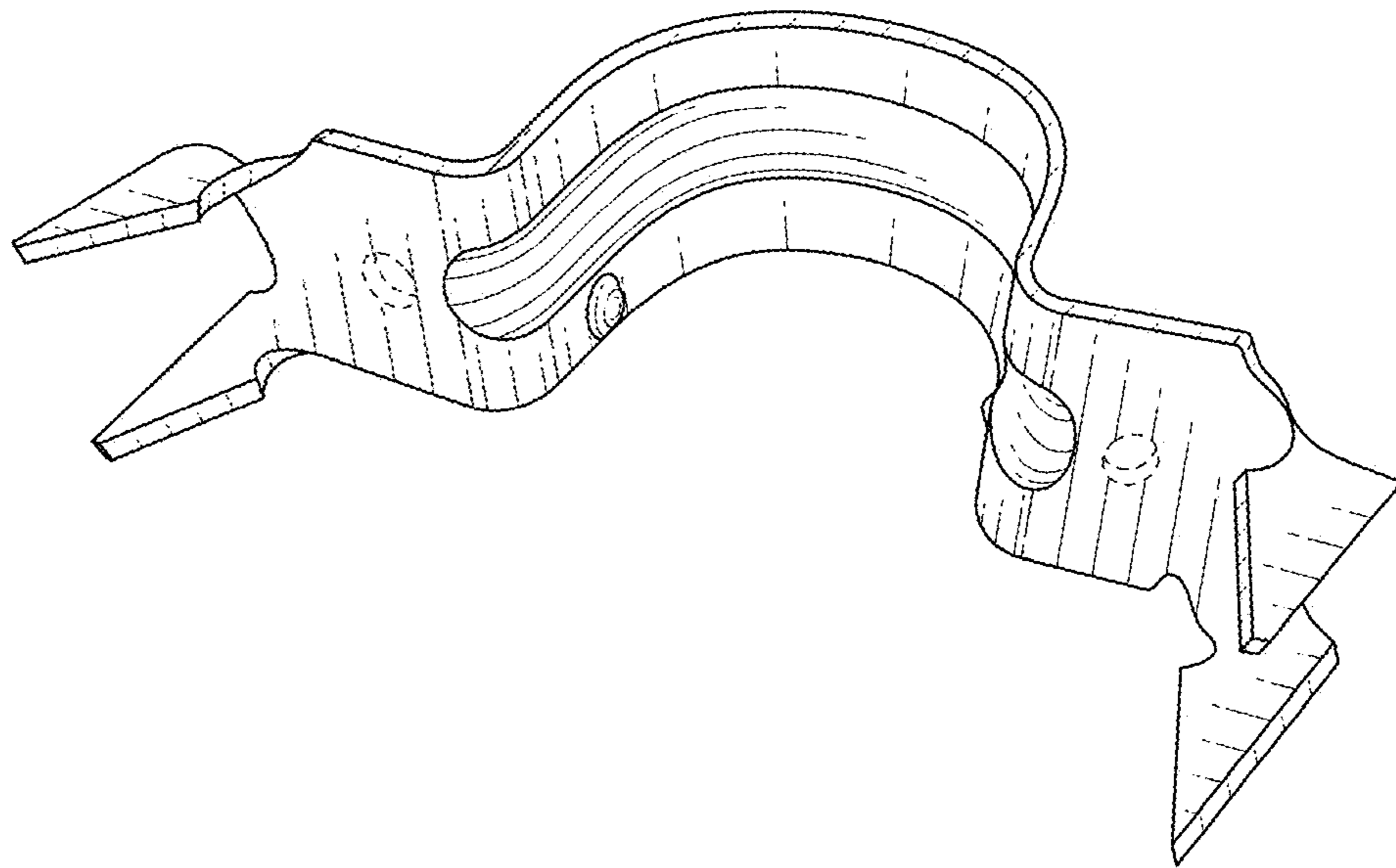


FIG. 1

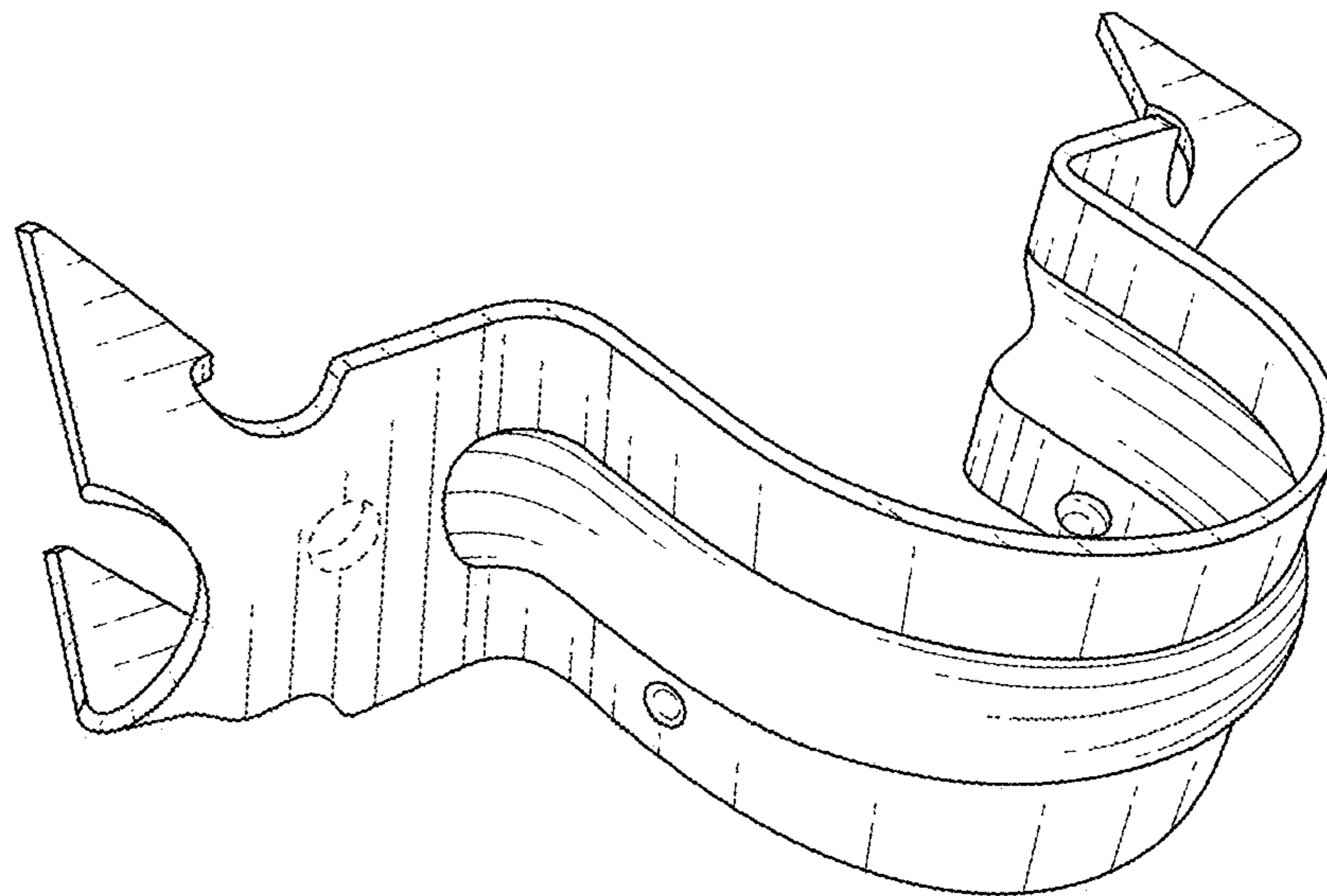


FIG. 2

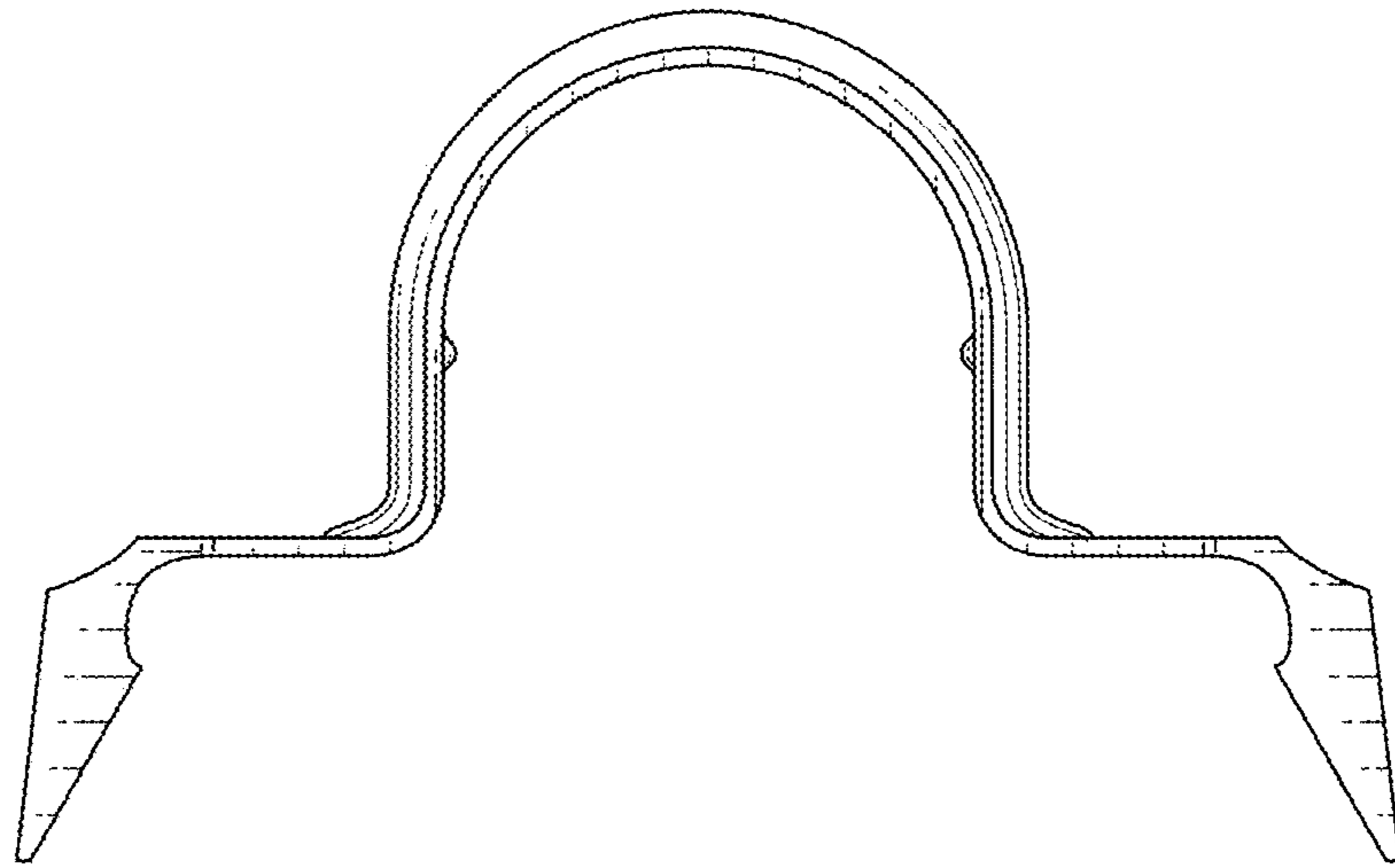


FIG. 3

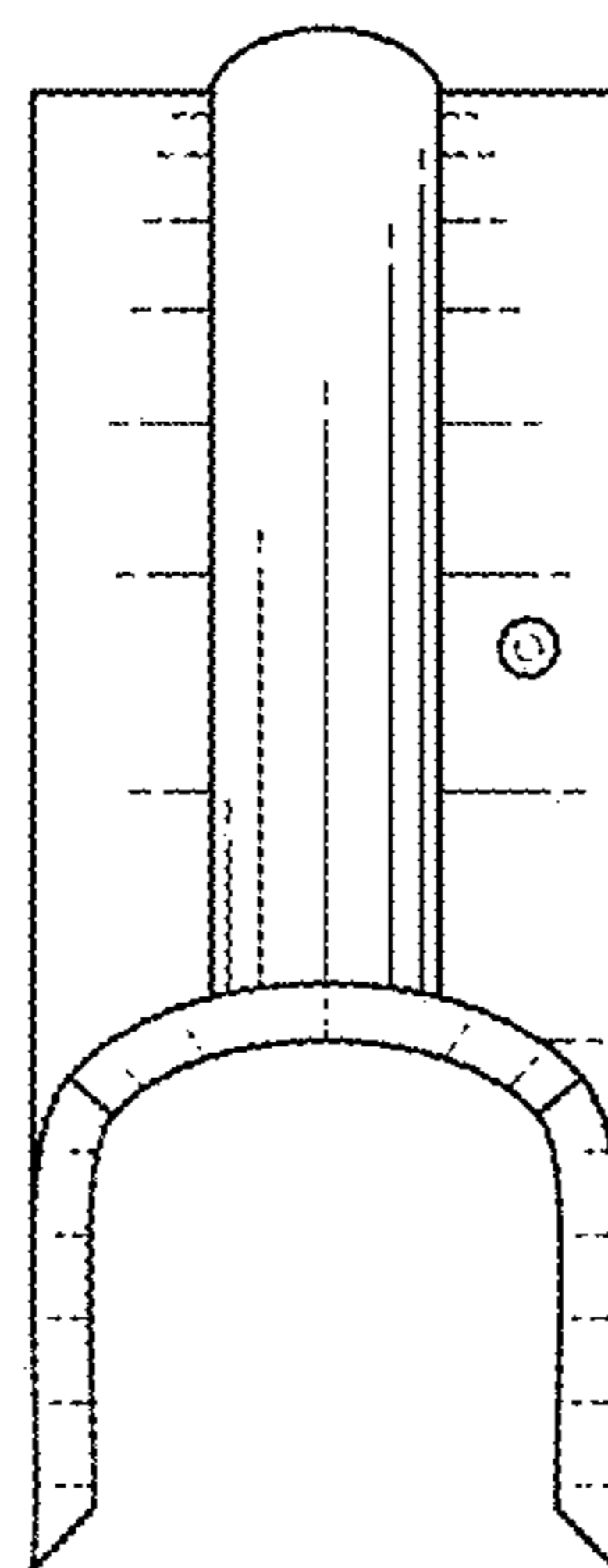


FIG. 4

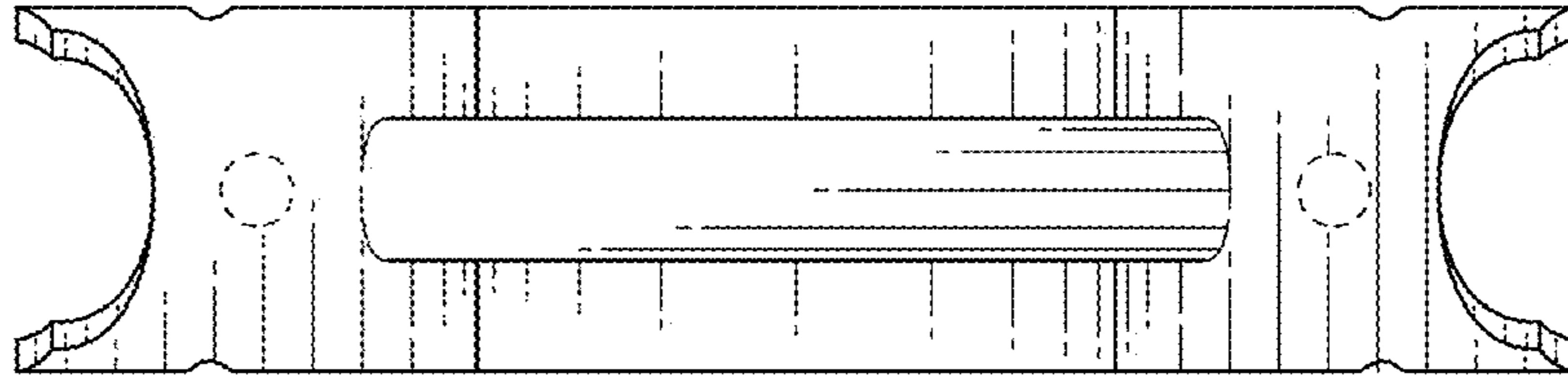


FIG. 5

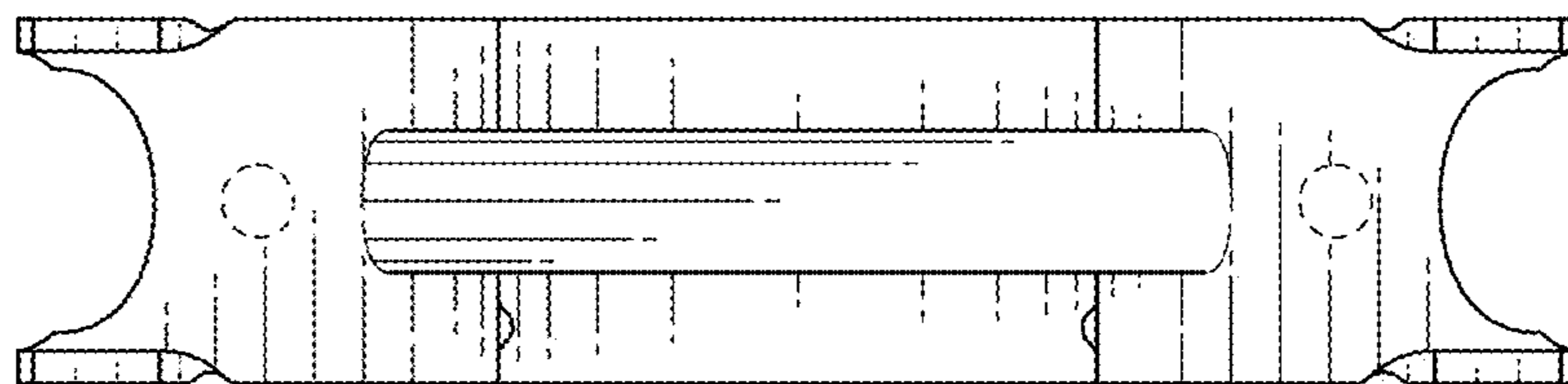


FIG. 6