



US00D948327S

(12) **United States Design Patent** (10) **Patent No.:** **US D948,327 S**
Lahens (45) **Date of Patent:** **** Apr. 12, 2022**

(54) **CLIP**
(71) Applicant: **O2COOL, LLC**, Chicago, IL (US)
(72) Inventor: **Luis Lahens**, Boca Raton, FL (US)
(73) Assignee: **O2COOL, LLC**, Chicago, IL (US)
(**) Term: **15 Years**
(21) Appl. No.: **29/755,507**
(22) Filed: **Oct. 21, 2020**
(51) **LOC (13) Cl.** **08-08**
(52) **U.S. Cl.**
USPC **D8/395**
(58) **Field of Classification Search**
USPC D8/394, 395, 96; D11/214, 215;
D21/600
CPC A41B 3/08; A41F 15/02; F16B 19/1081;
G09F 3/14; B42F 1/006; B42F 1/08;
B42F 9/001; A47F 7/02; A63B 60/62;
A63B 57/20; A63B 55/406; A63B 55/00
See application file for complete search history.

D891,238 S * 7/2020 Kassin D8/395
D893,943 S * 8/2020 Engler D7/396.4
D902,705 S * 11/2020 Kwon D8/395
D924,674 S * 7/2021 Mangano D8/395
D936,471 S * 11/2021 Kassin D8/395

FOREIGN PATENT DOCUMENTS

CN 304649378 * 5/2018
CN 304697654 * 6/2018

OTHER PUBLICATIONS

O2COOL Boca Clip, Red Solo Cup, O2COOL.com, [online], [site visited Nov. 29, 2020], Available from internet URL: <https://o2cool.com/product/boca-clip-red-solo-cup/> (Year: NA).*

* cited by examiner

Primary Examiner — Philip S Hyder
Assistant Examiner — Rozita Mozaffarian
(74) *Attorney, Agent, or Firm* — Thompson Coburn LLP

(57) **CLAIM**

The ornamental design for a clip, as shown and described.

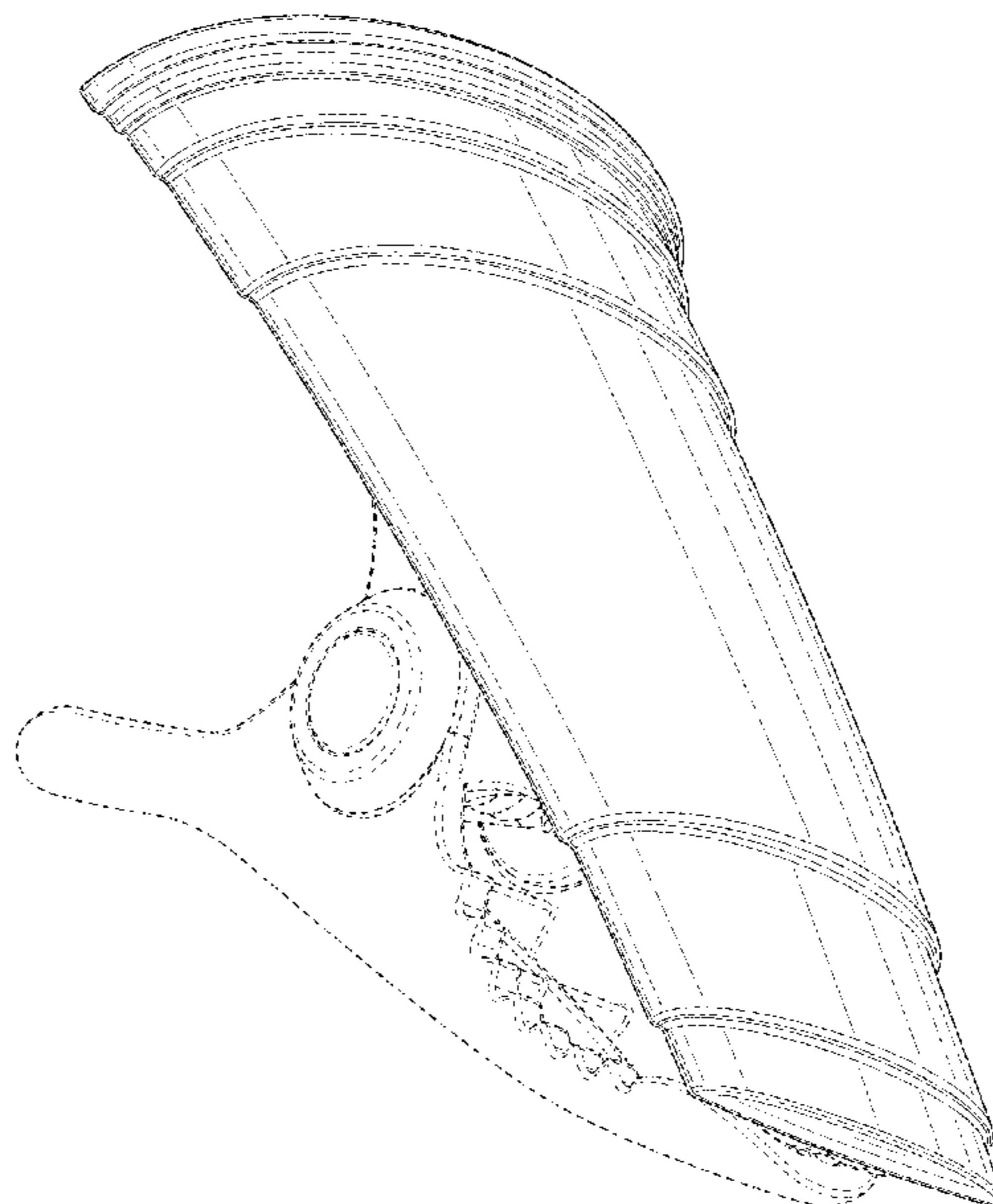
DESCRIPTION

FIG. 1 is a first perspective view of the clip showing my new design;
FIG. 2 is a second perspective view thereof;
FIG. 3 is a front view thereof;
FIG. 4 is a rear view thereof;
FIG. 5 is a left side view thereof;
FIG. 6 is a right side view thereof;
FIG. 7 is a top view thereof; and,
FIG. 8 is a bottom view thereof.
The dash-dot-dash broken lines immediately adjacent the shaded areas represent the bounds of the claimed design while all other broken lines are directed to environment. The broken lines form no part of the claimed design.

1 Claim, 8 Drawing Sheets

(56) **References Cited**
U.S. PATENT DOCUMENTS

D511,647 S * 11/2005 Smith D7/396.2
D516,378 S * 3/2006 Smith D7/396.2
D787,926 S * 5/2017 Cramer D8/394
D788,575 S * 6/2017 Kim D8/395
D831,273 S * 10/2018 Sze D28/40
D832,693 S * 11/2018 Ksiazek D8/395
D837,642 S * 1/2019 Ksiazek D8/395
D857,489 S * 8/2019 Rebot D8/395
D859,506 S * 9/2019 Huang D16/237
D864,703 S * 10/2019 Arlidge D8/395
D873,126 S * 1/2020 Tang D8/395
D876,212 S * 2/2020 Waldman A61H 7/001
D881,684 S * 4/2020 Yoshikawa D8/395



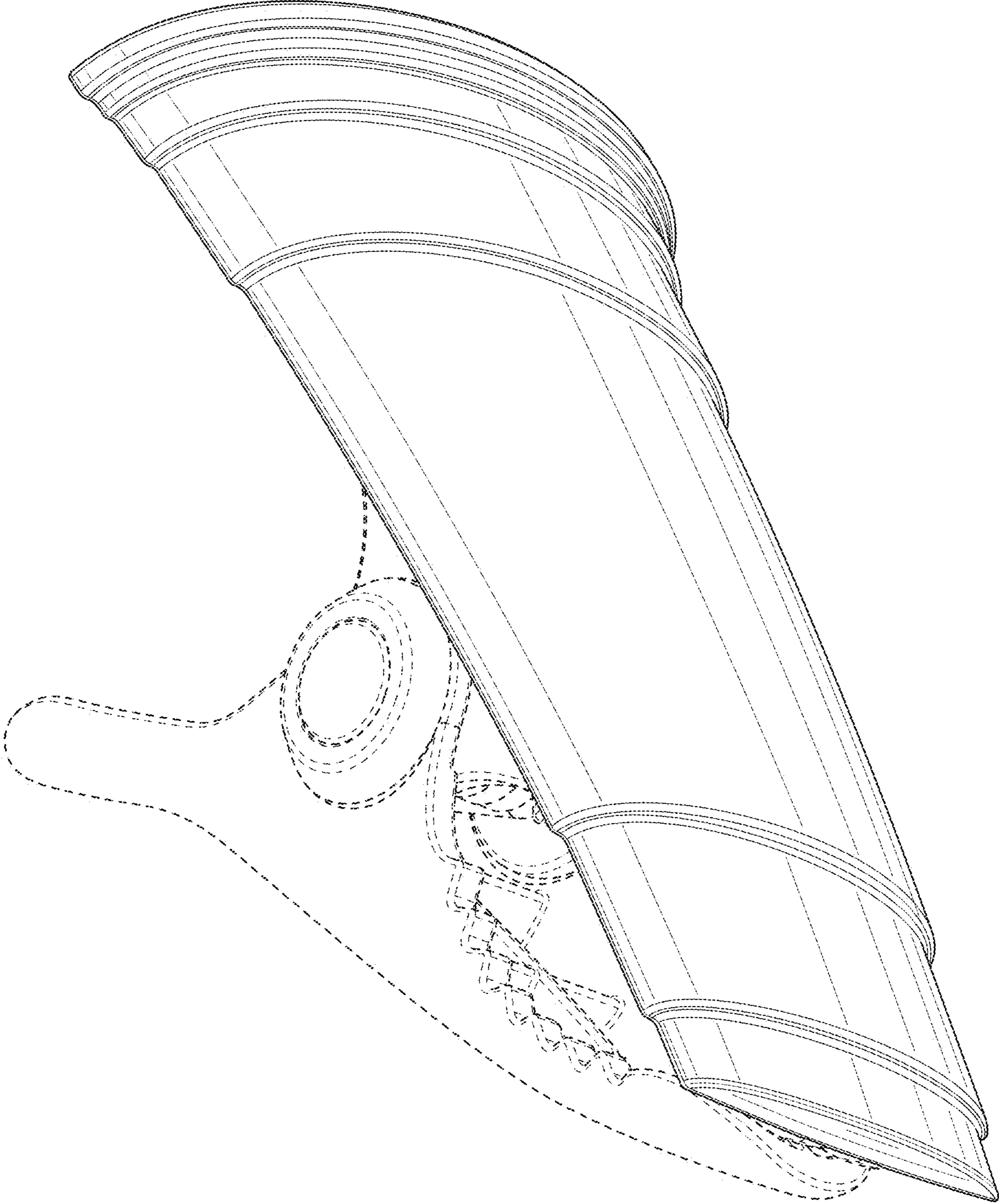


FIG. 1

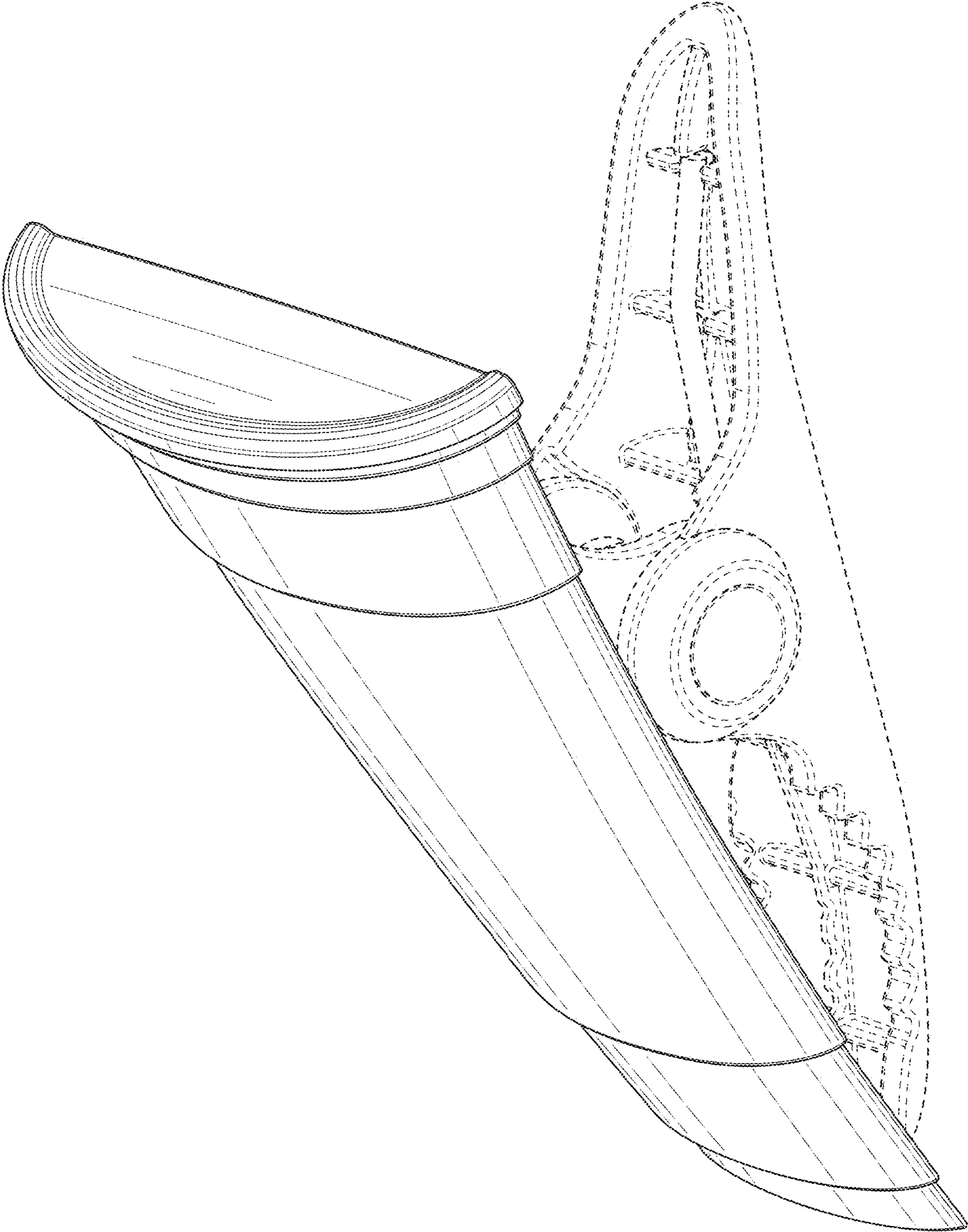


FIG. 2

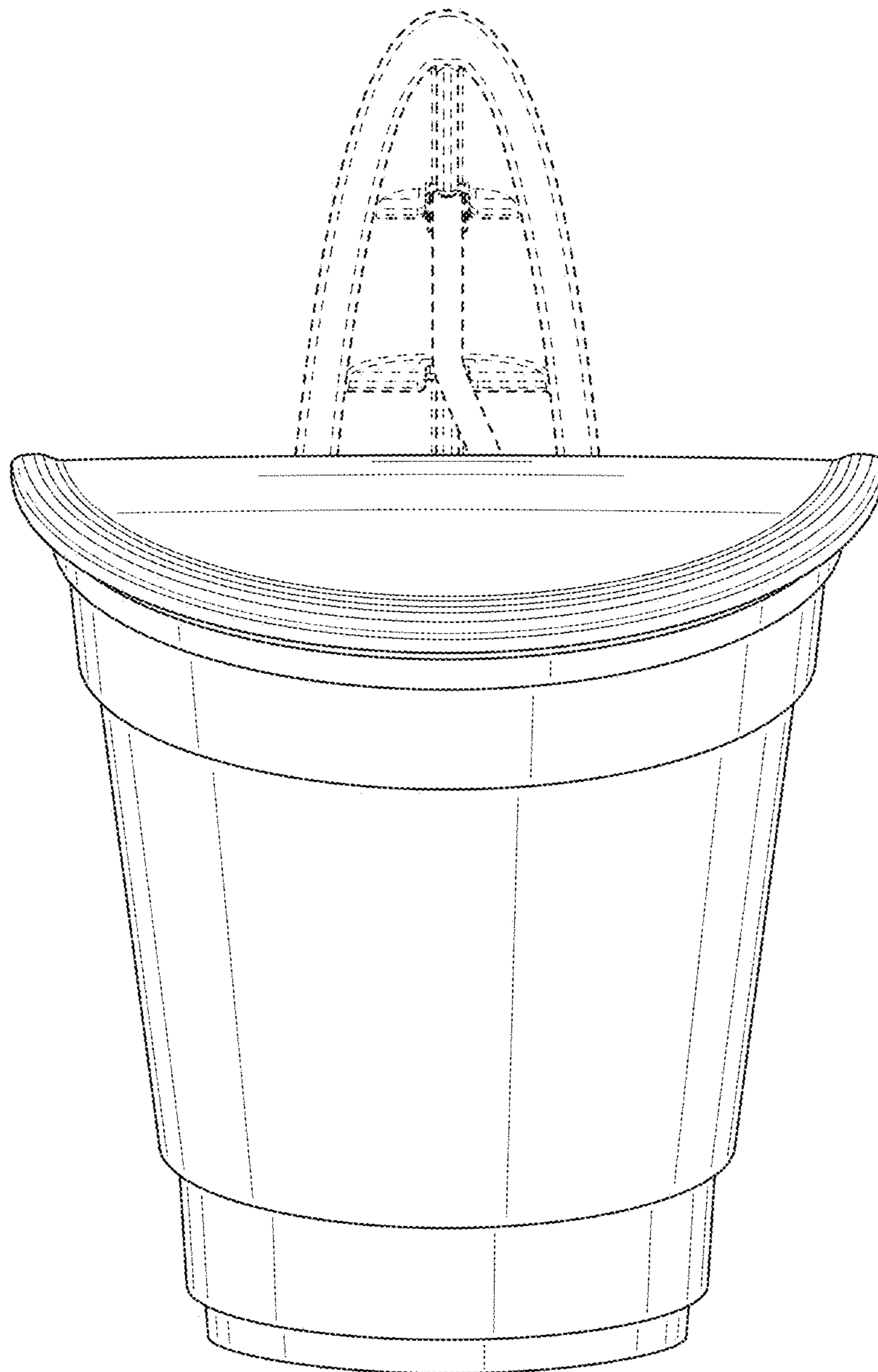


FIG. 3

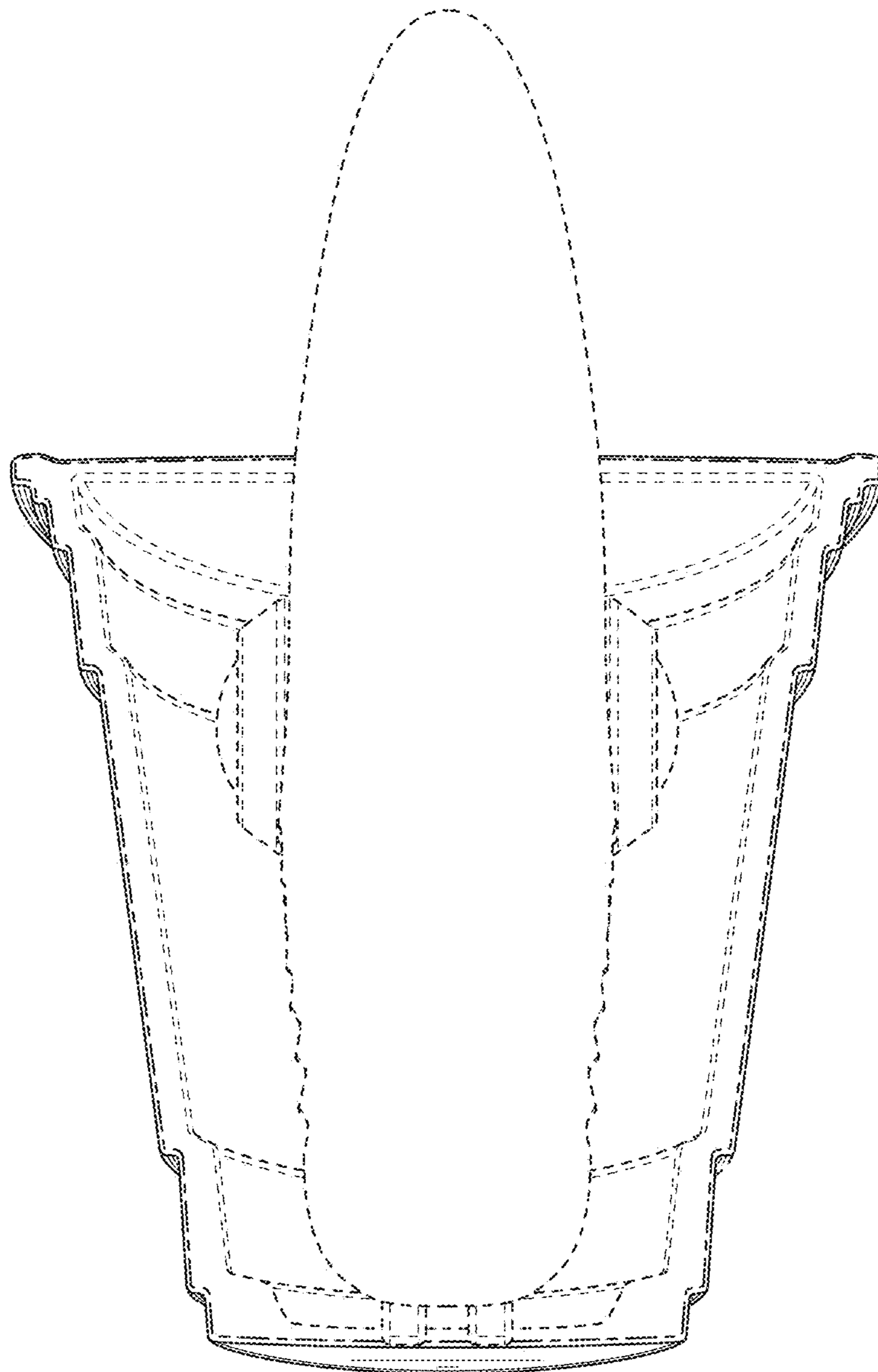


FIG. 4

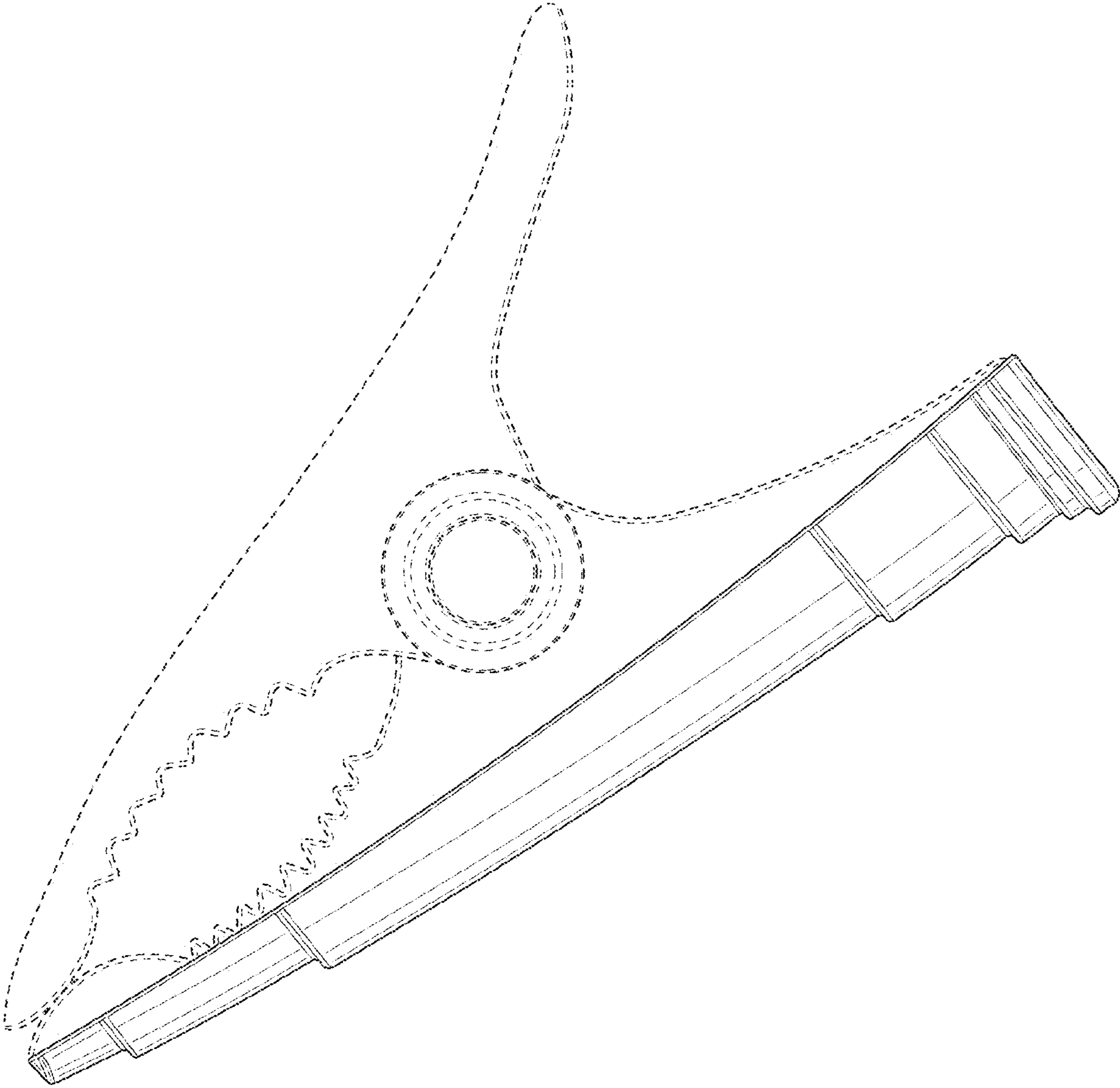


FIG. 5

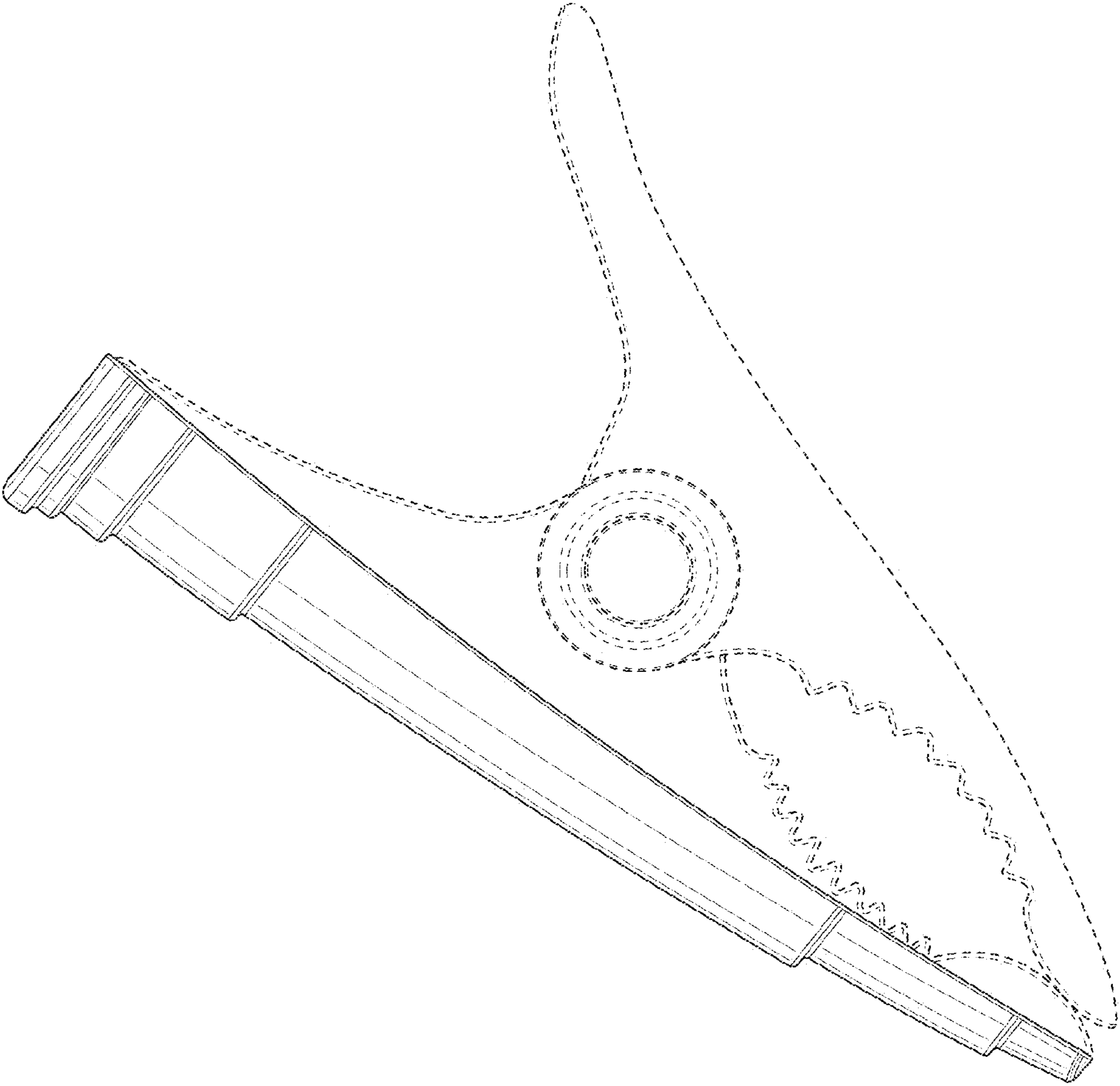


FIG. 6

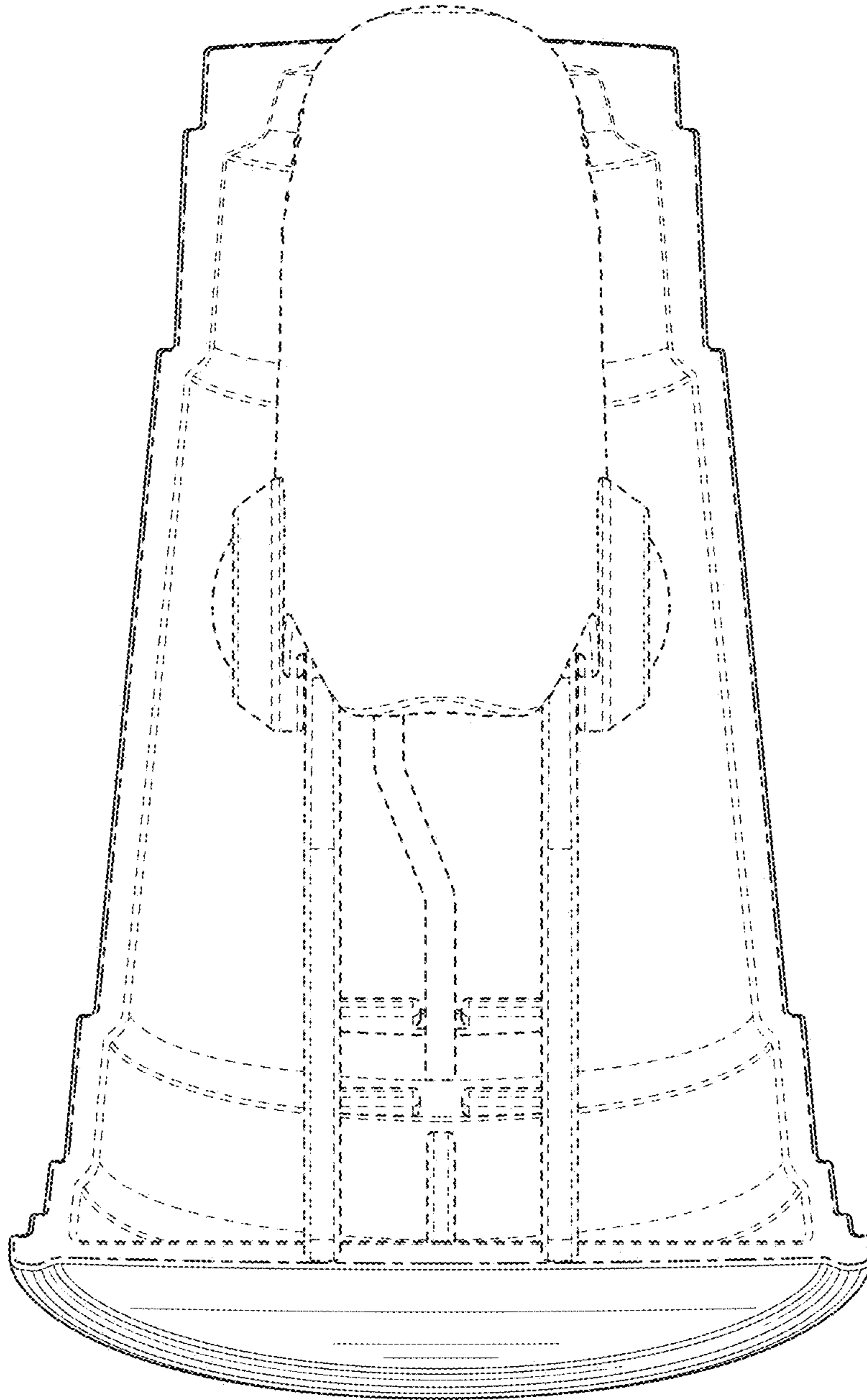


FIG. 7

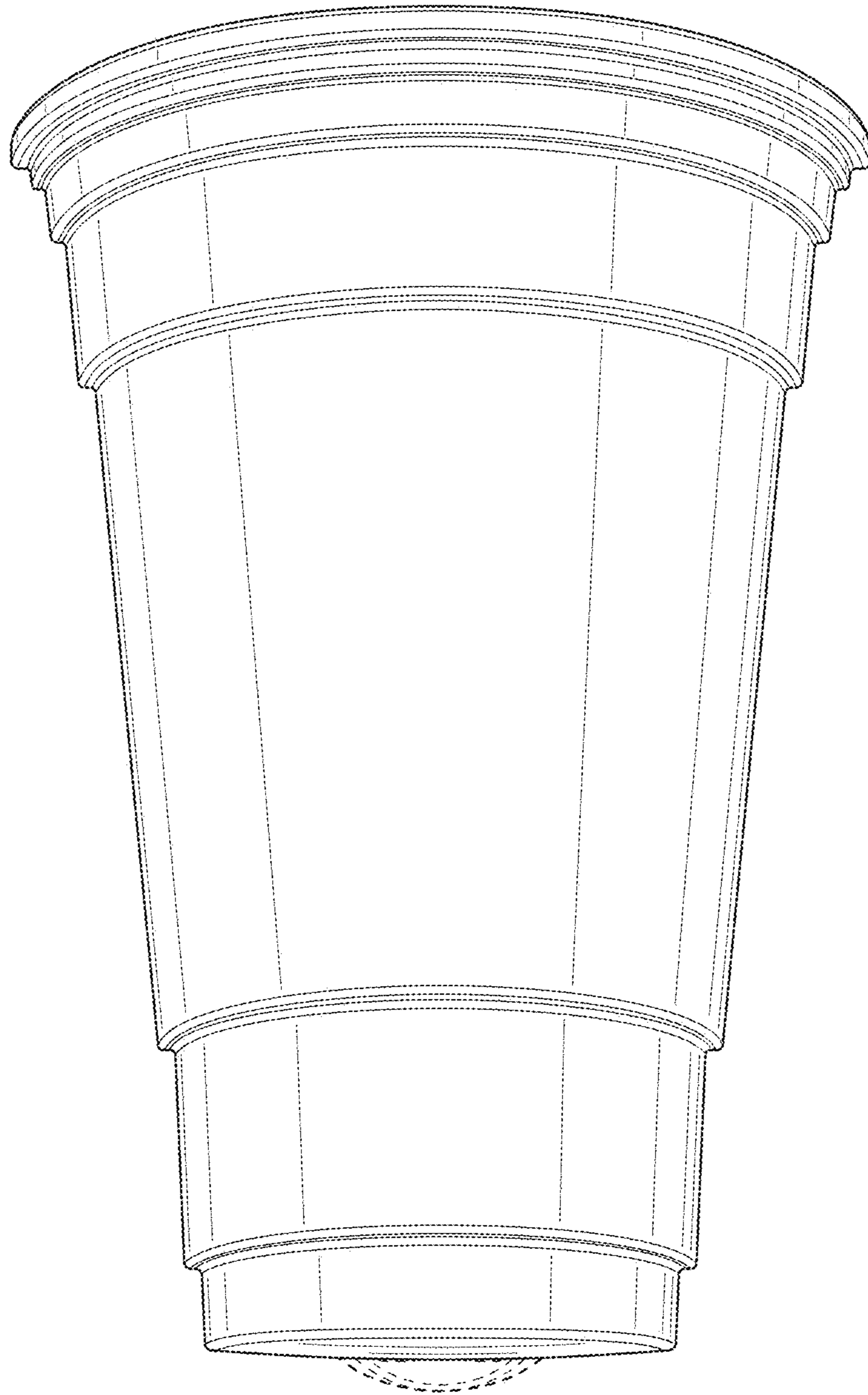


FIG. 8