



US00D948325S

(12) **United States Design Patent** (10) **Patent No.:** **US D948,325 S**
Lahens (45) **Date of Patent:** **** Apr. 12, 2022**

(54) **CLIP**

FOREIGN PATENT DOCUMENTS

(71) Applicant: **O2COOL, LLC**, Chicago, IL (US)

CN 306929708 * 11/2021

(72) Inventor: **Luis Lahens**, Boca Raton, FL (US)

OTHER PUBLICATIONS

(73) Assignee: **O2COOL, LLC**, Chicago, IL (US)

Ice Cream Clip, Crafts By Corrine Store , etsy.com, [online], [site visited Nov. 29, 20201], Available from internet URL: https://www.etsy.com/listing/821344806/ice-cream-clip_gpla=1&gao=1&&utm_source=google&utm_medium=cpc&utm_campaign=shopping_us_e-acc%E2%80%A6 (Year: 2021).*

(**) Term: **15 Years**

(21) Appl. No.: **29/728,277**

(Continued)

(22) Filed: **Mar. 17, 2020**

(51) **LOC (13) Cl.** **08-08**

Primary Examiner — Philip S Hyder

(52) **U.S. Cl.**

Assistant Examiner — Rozita Mozaffarian

USPC **D8/395**

(74) *Attorney, Agent, or Firm* — Thompson Coburn LLP

(58) **Field of Classification Search**

USPC D8/394, 395, 96; D11/214, 215; D21/600

CPC A41B 3/08; A41F 15/02; F16B 19/1081; G09F 3/14; B42F 1/006; B42F 1/08; B42F 9/001; A47F 7/02; A63B 60/62; A63B 57/20; A63B 55/406; A63B 55/00

(57) **CLAIM**

See application file for complete search history.

The ornamental design for a clip, as shown and described.

(56) **References Cited**

DESCRIPTION

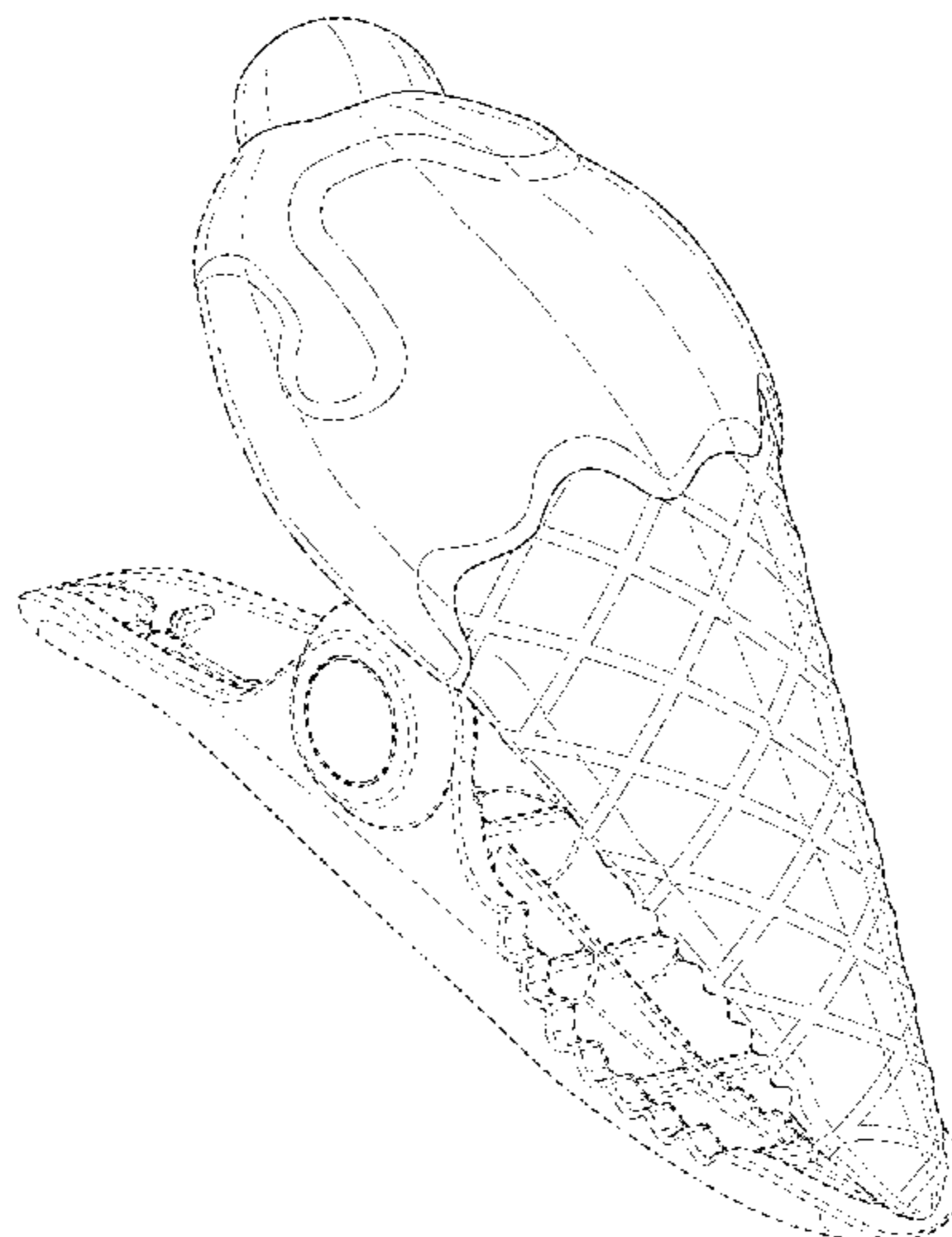
U.S. PATENT DOCUMENTS

D460,587 S * 7/2002 Huettner D30/160
D490,588 S * 6/2004 Baker D1/102
D508,217 S * 8/2005 Graves D11/81
D704,516 S * 5/2014 Suess D7/681
D787,926 S * 5/2017 Cramer D8/394
D788,575 S * 6/2017 Kim D8/395
D801,544 S * 10/2017 Zinn D24/215
D831,273 S * 10/2018 Sze D28/40
D832,693 S * 11/2018 Ksiazek D8/395
D837,642 S * 1/2019 Ksiazek D8/395
D857,489 S * 8/2019 Rebot D8/395
D859,506 S * 9/2019 Huang D16/237
D864,703 S * 10/2019 Arlidge D8/395
D873,126 S * 1/2020 Tang D8/395
D876,212 S * 2/2020 Waldman A61H 7/001
D881,684 S * 4/2020 Yoshikawa D8/395

FIG. 1 is a first perspective view of a clip showing my new design;
FIG. 2 is a second perspective view thereof;
FIG. 3 is a left side view thereof;
FIG. 4 is a right side view thereof;
FIG. 5 is a rear view thereof;
FIG. 6 is a front view thereof;
FIG. 7 is a top view thereof;
FIG. 8 is a bottom view thereof;
FIG. 9 is a third perspective view thereof; and,
FIG. 10 is a fourth perspective view thereof.
The dash-dot-dash broken lines immediately adjacent the shaded areas represent the bounds of the claimed design while all other broken lines are directed to environment. The broken lines form no part of the claimed design.

(Continued)

1 Claim, 10 Drawing Sheets



(56)

References Cited

U.S. PATENT DOCUMENTS

D891,238 S * 7/2020 Kassin D8/395
D902,705 S * 11/2020 Kwon D8/395
D924,674 S * 7/2021 Mangano D8/395
D936,471 S * 11/2021 Kassin D8/395

OTHER PUBLICATIONS

O2COOL, Ice Cream Cone Boca Beach Towel Clips , amazon.com,
[online], [site visited Dec. 1, 20201], Available from internet URL:
<https://www.amazon.com/O2COOL-Crea-Beach-Towel-Clips/> (Year:
2021).*

Ice Cream Paperclips for Your Planner Bookmarks , etsy.com,
[online], [site visited Nov. 29, 20201], Available from internet URL:
<https://in.pinterest.com/pin/207658232796889023/> (Year: NA).*

* cited by examiner

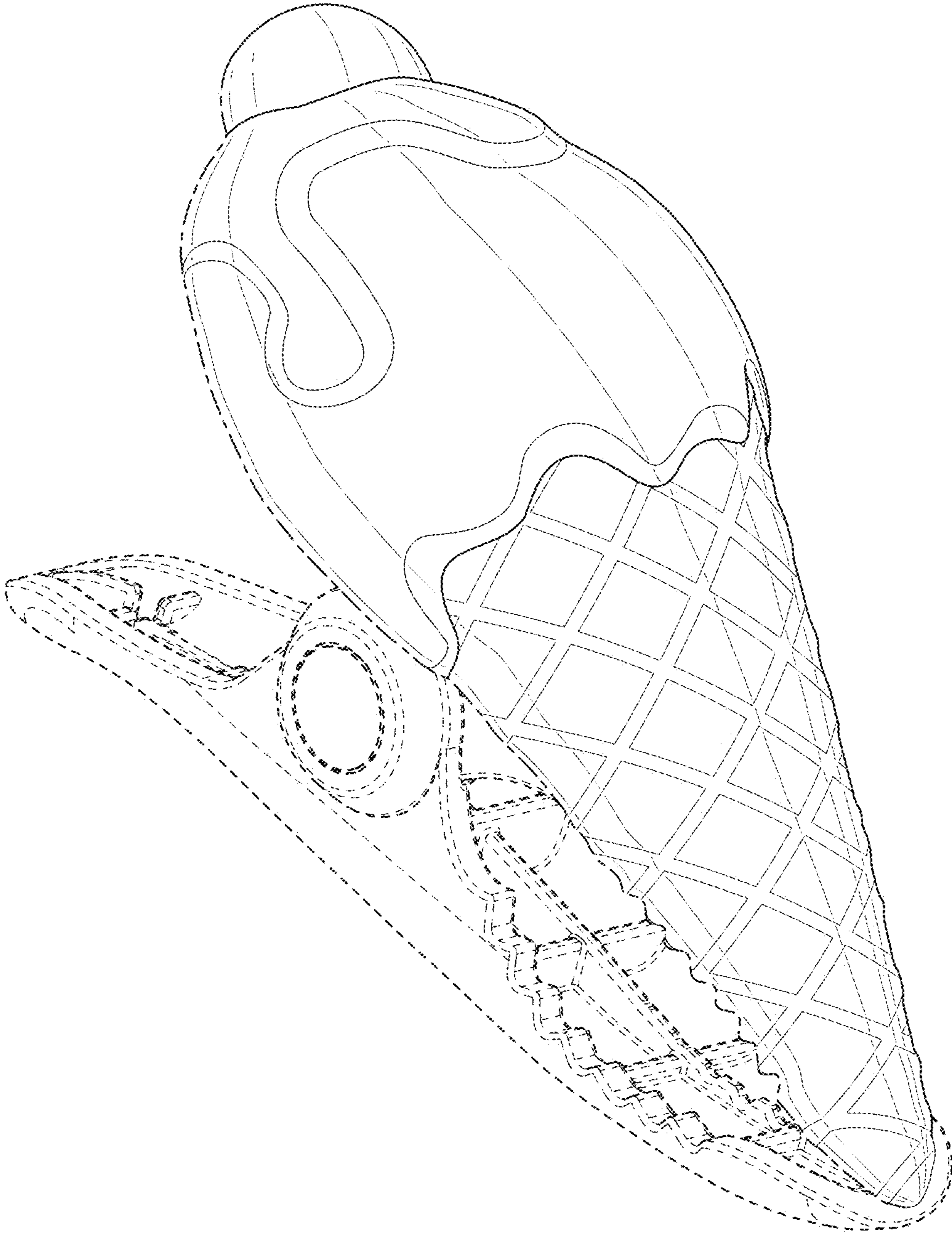


FIG. 1

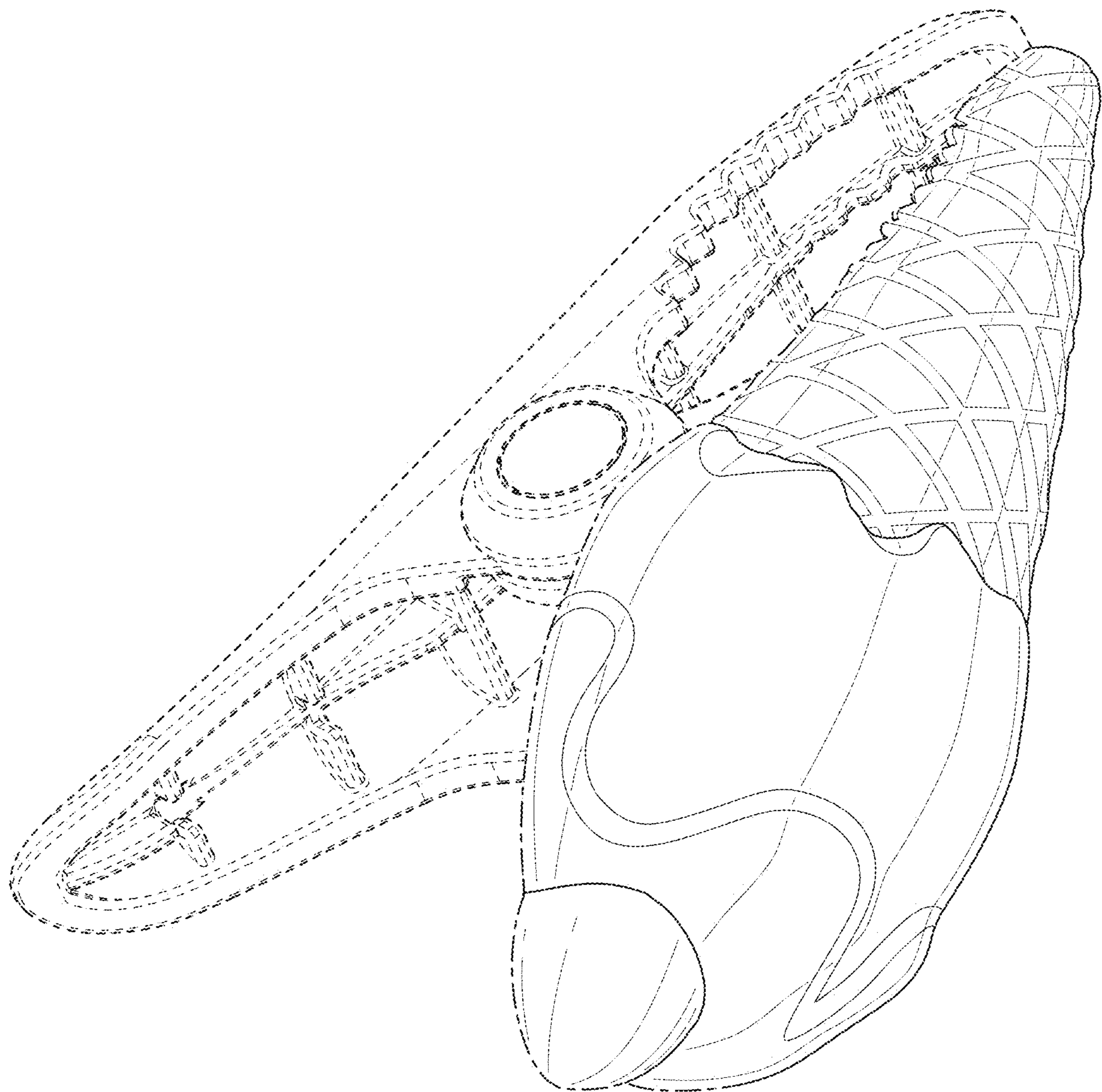


FIG. 2

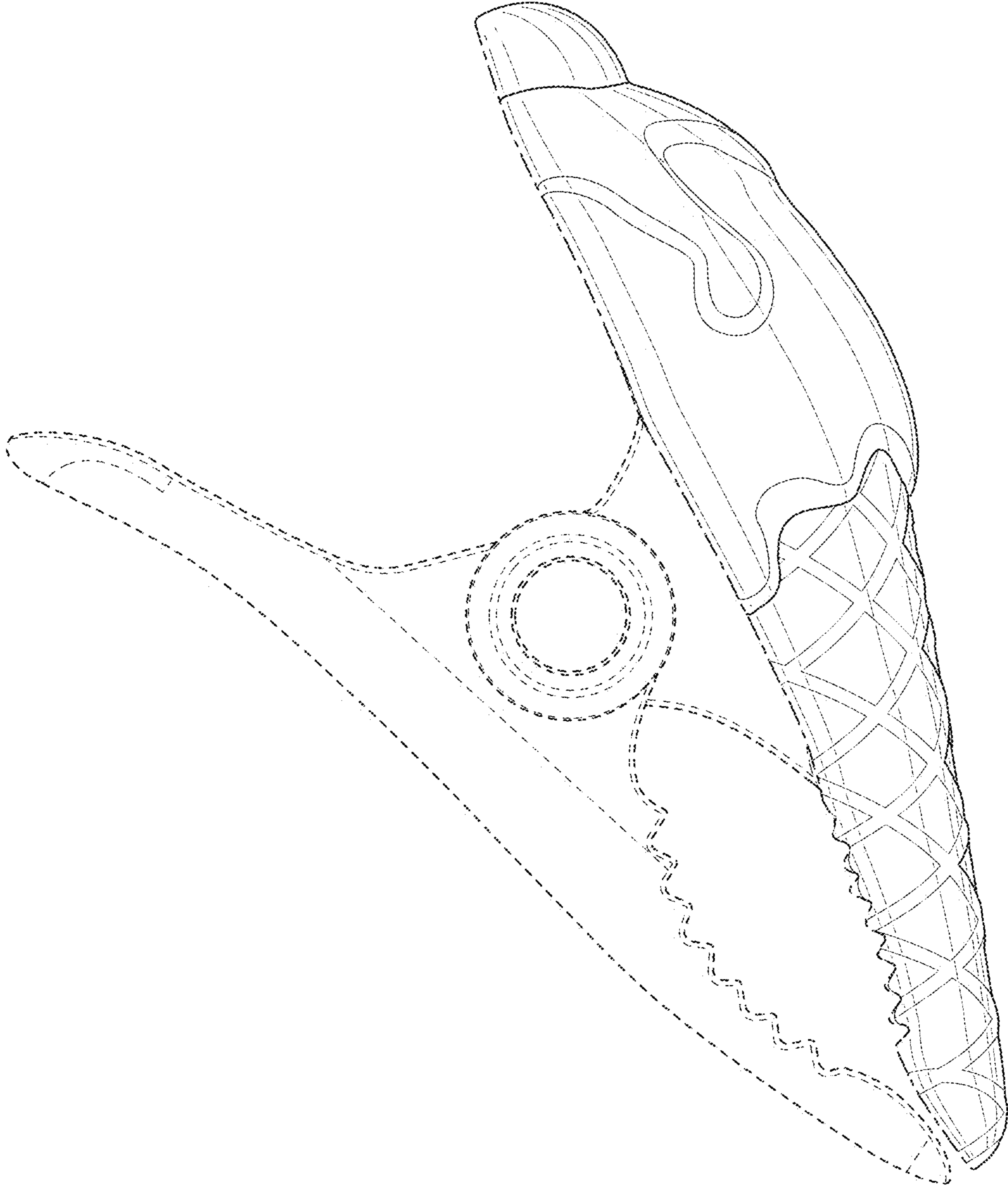


FIG. 3

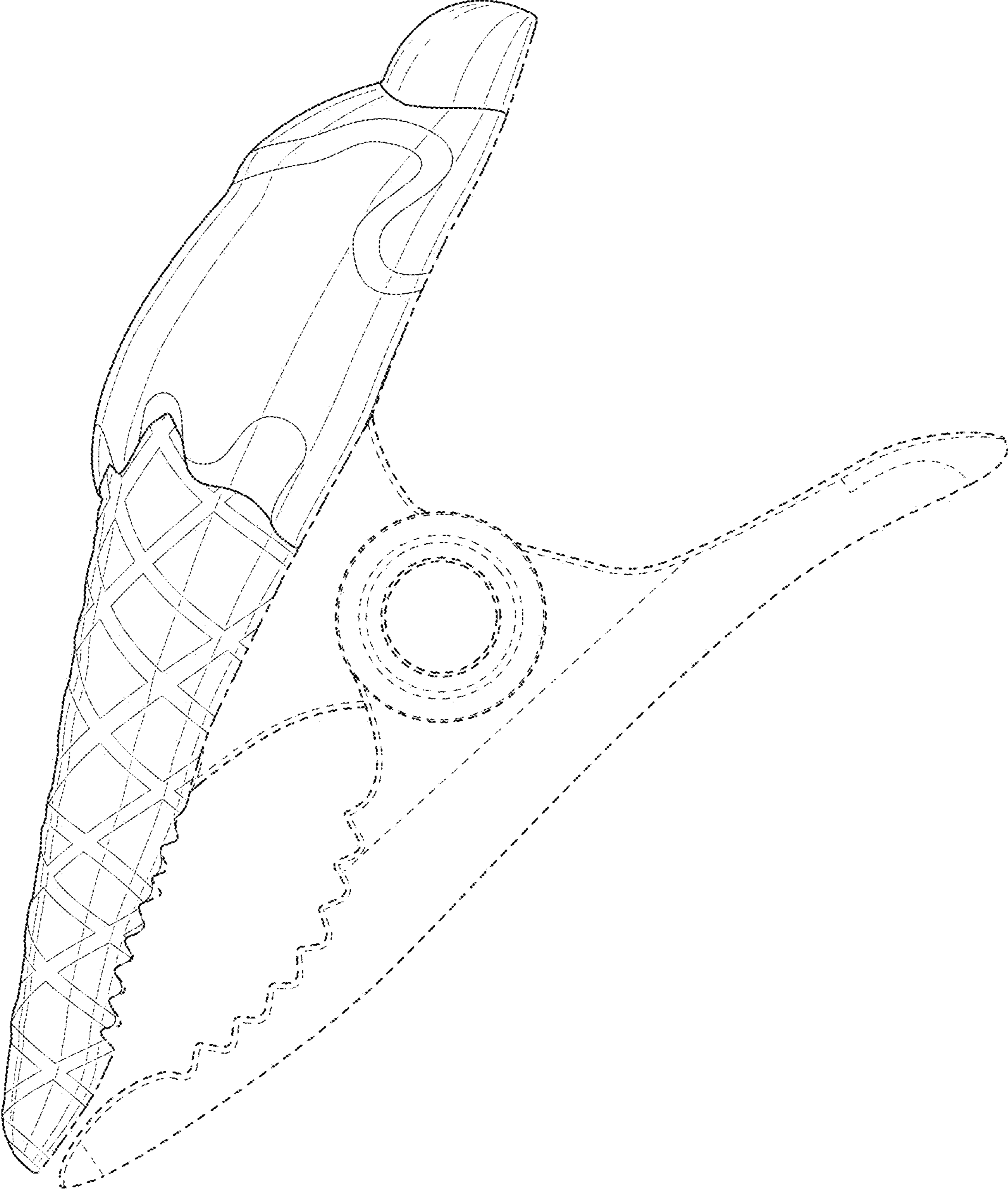


FIG. 4

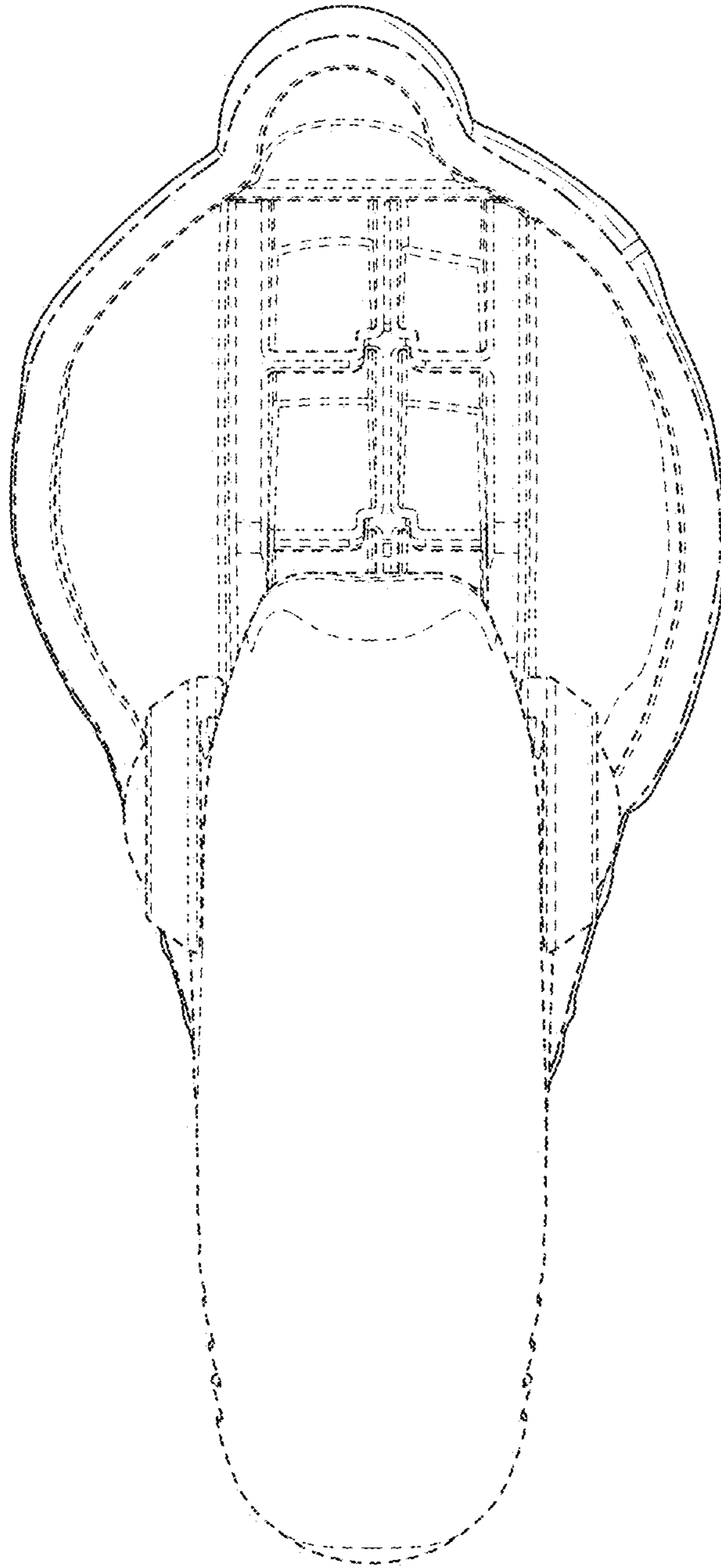


FIG. 5

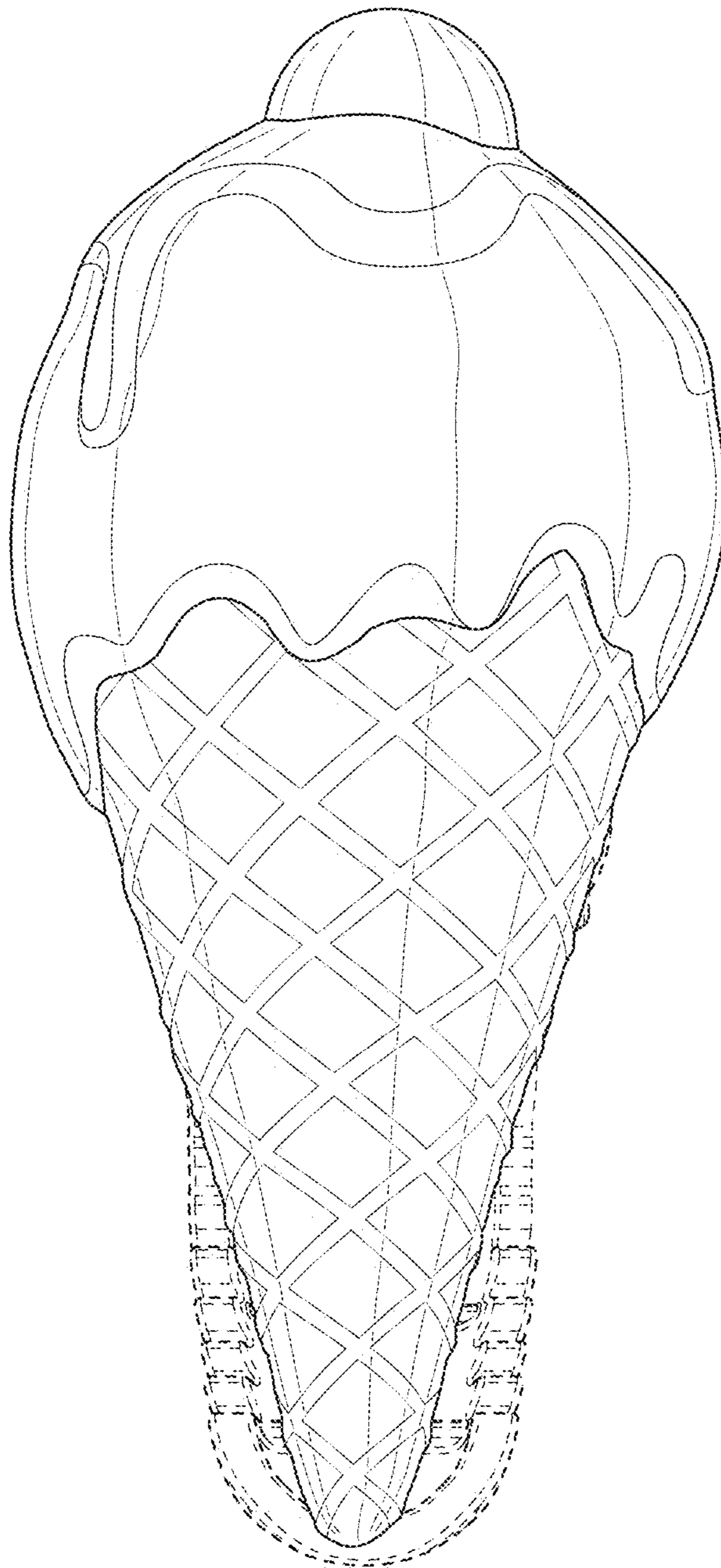


FIG. 6

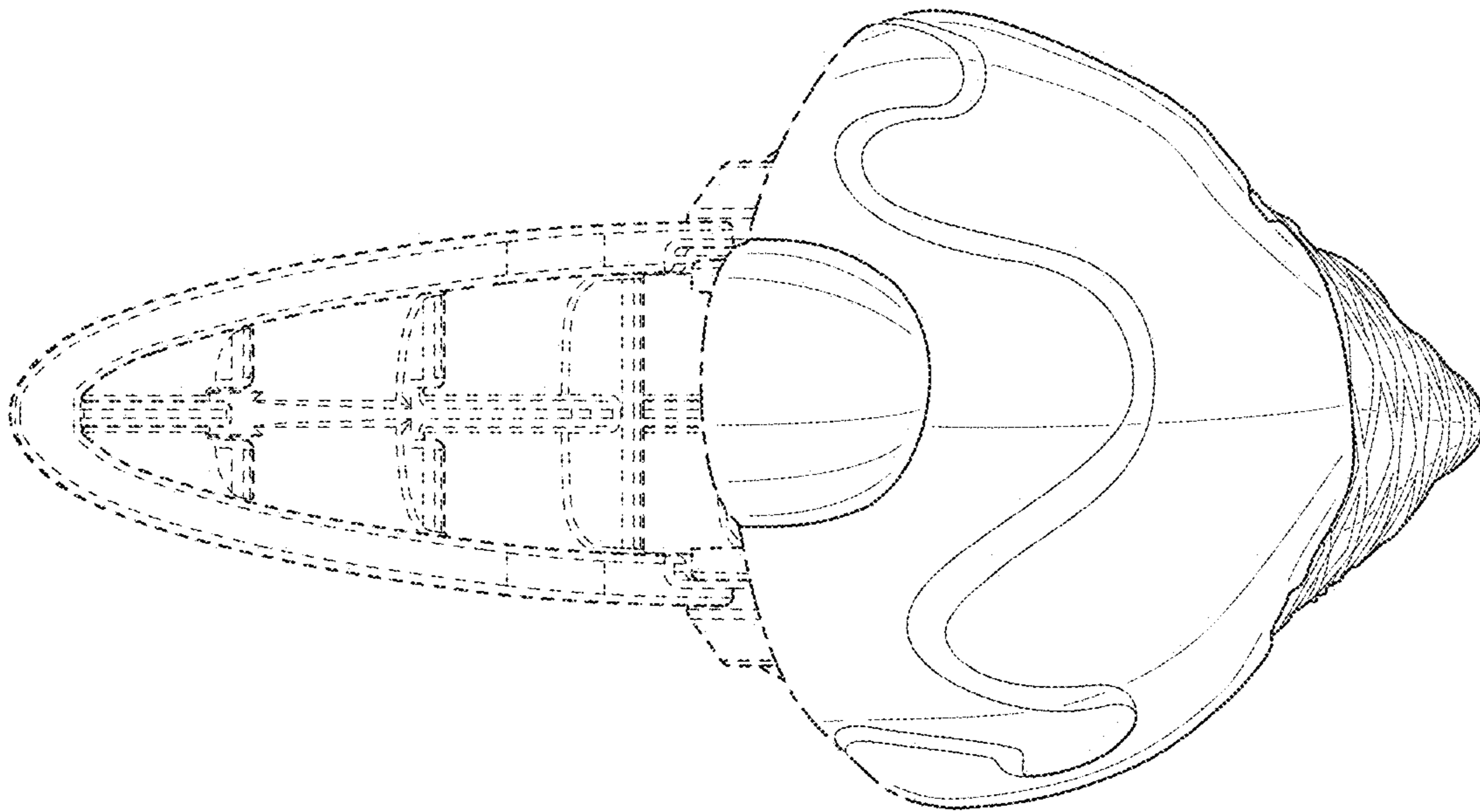


FIG. 7

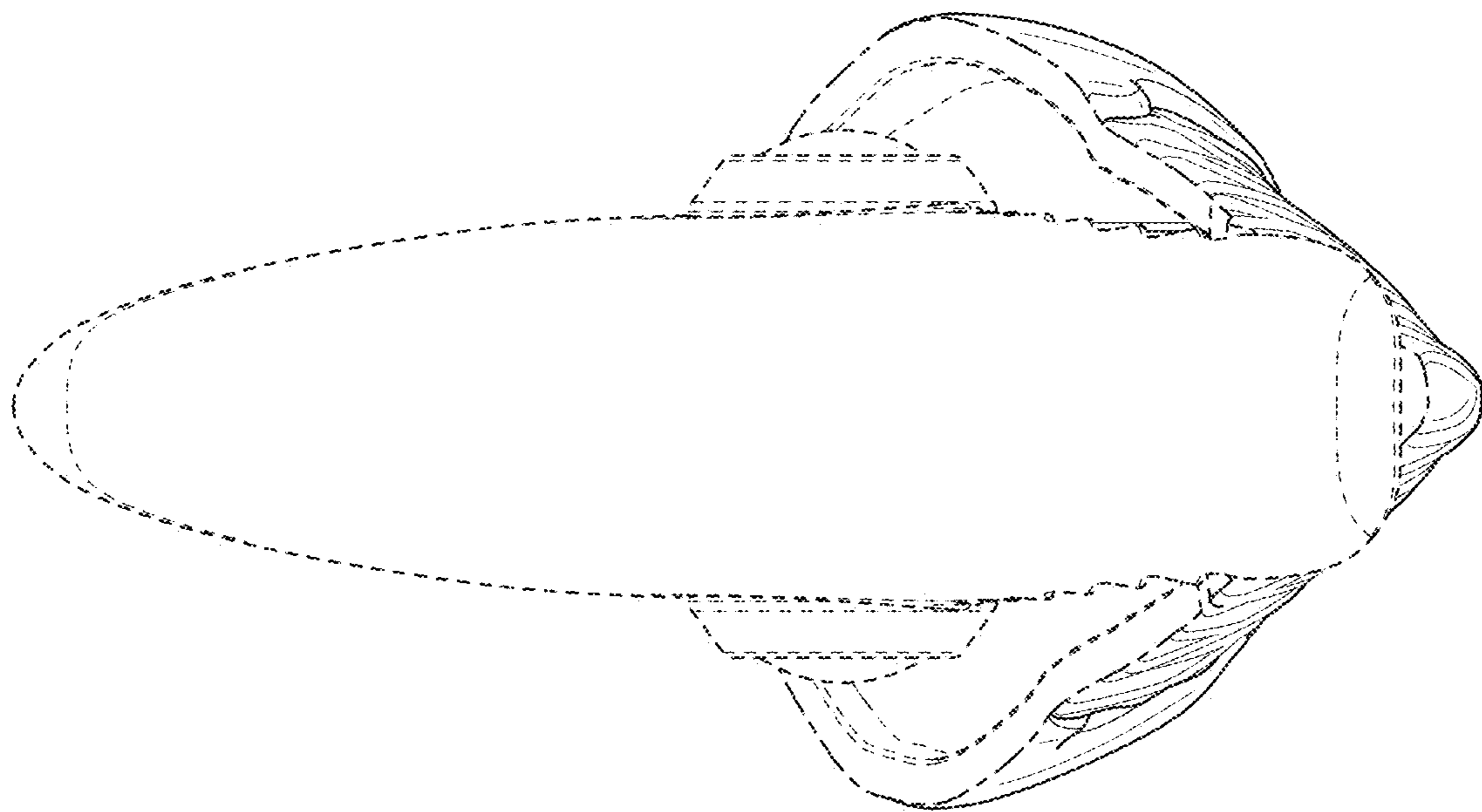


FIG. 8

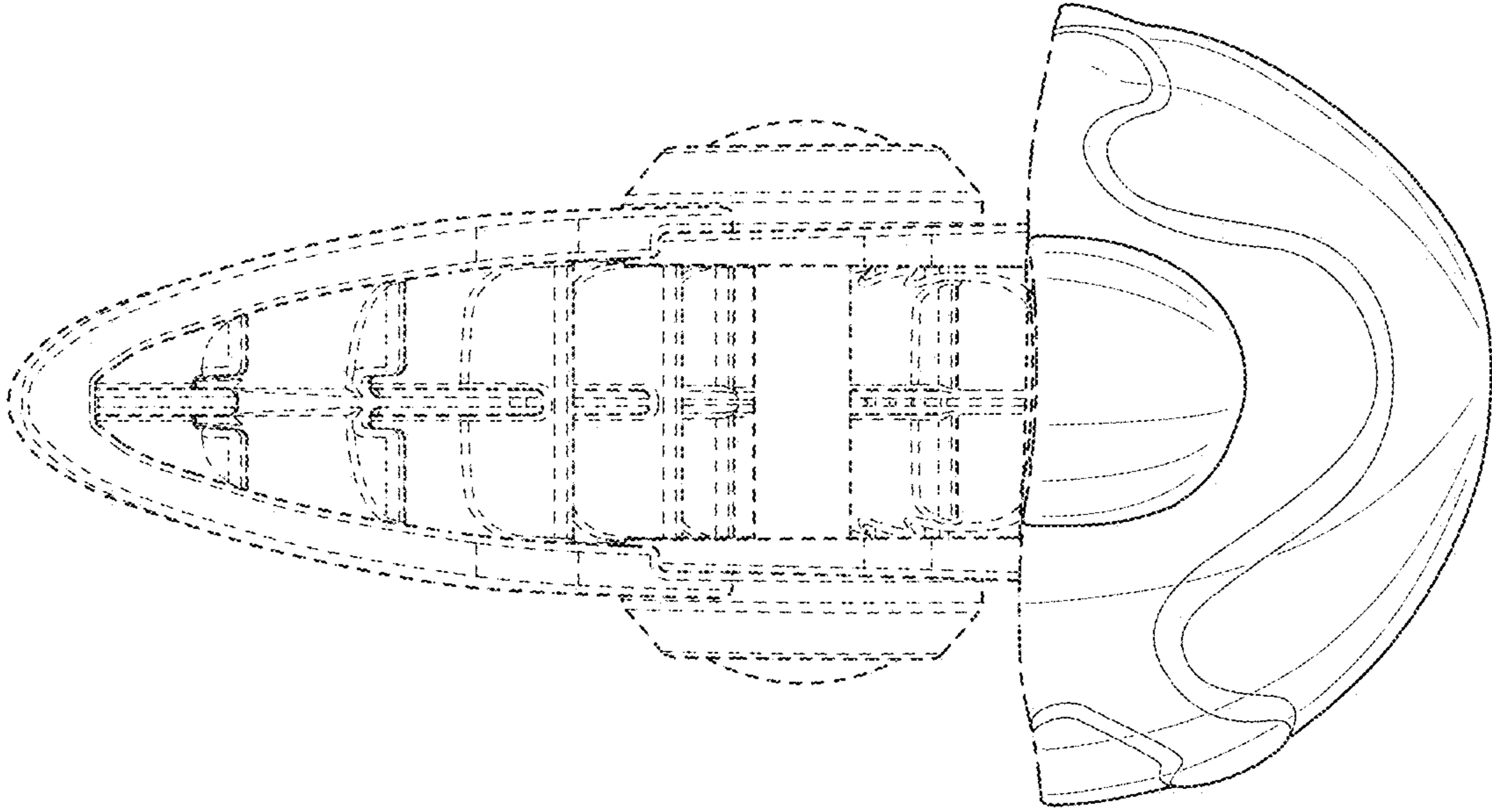


FIG. 9

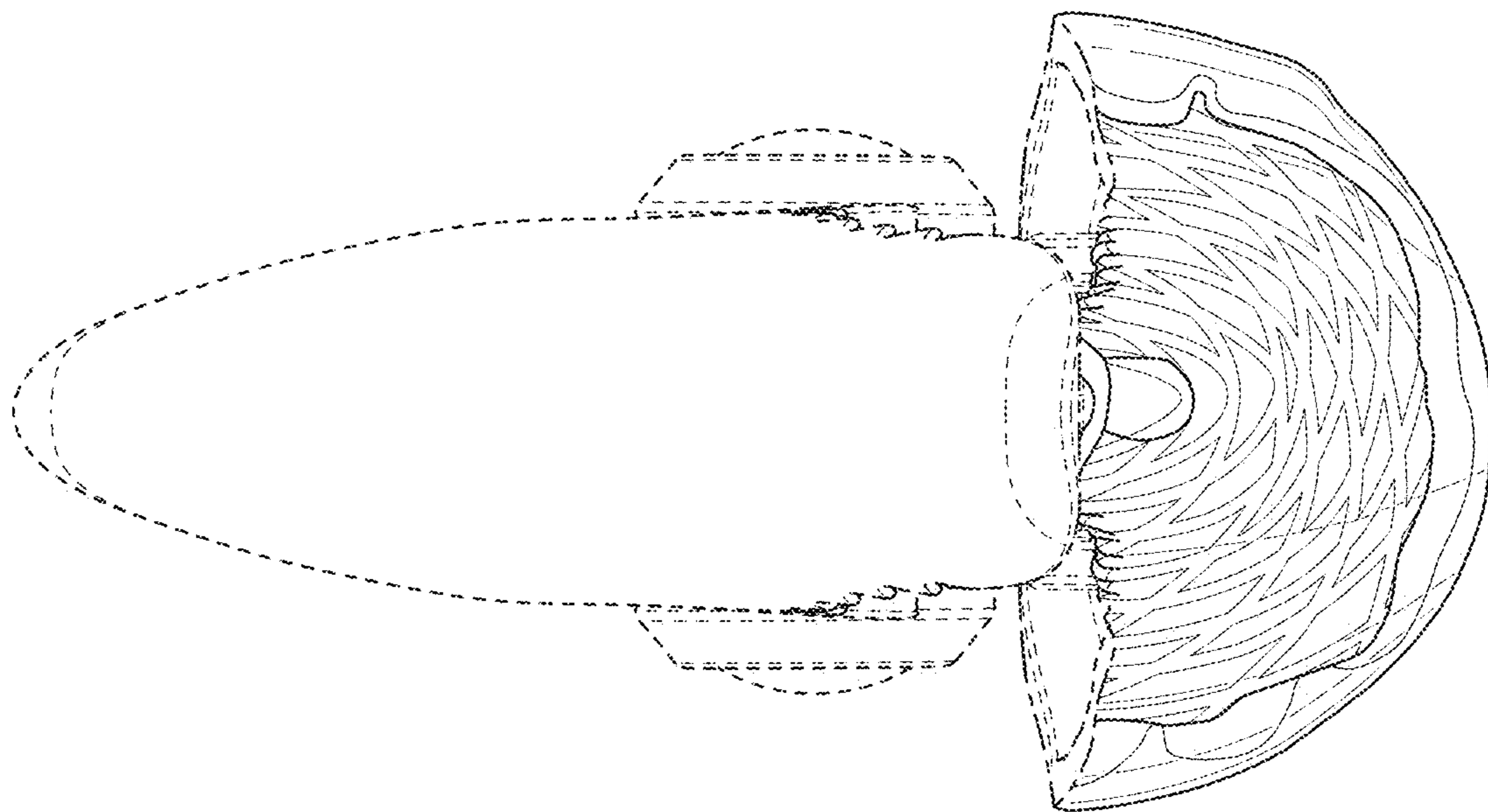


FIG. 10