



US00D948322S

(12) **United States Design Patent**
Huang

(10) **Patent No.:** **US D948,322 S**

(45) **Date of Patent:** **** Apr. 12, 2022**

- (54) **ANTI-LOOSENING SCREW**
- (71) Applicant: **Yuequn Huang**, Shenzhen (CN)
- (72) Inventor: **Yuequn Huang**, Shenzhen (CN)
- (**) Term: **15 Years**
- (21) Appl. No.: **29/783,889**
- (22) Filed: **May 17, 2021**
- (51) **LOC (13) Cl.** **08-08**
- (52) **U.S. Cl.**
USPC **D8/387**
- (58) **Field of Classification Search**
USPC D8/349, 354, 308, 382, 387, 399
CPC F16B 37/044; F16B 39/00; F16B 39/01;
F16B 39/02; F16B 39/10; F16B 39/101;
F16B 39/24; F16B 39/38; F16B 41/00;
F16B 41/002; F16B 41/005
See application file for complete search history.

- 4,626,009 A * 12/1986 Burnett F16B 37/0857
292/327
 - 4,724,689 A * 2/1988 Anchia F16B 41/005
70/58
 - D333,254 S * 2/1993 Ringle D8/308
 - D360,345 S * 7/1995 Swan D8/308
 - D415,012 S * 10/1999 Bernstein D8/349
 - D422,485 S * 4/2000 Lodi D8/387
 - D423,920 S * 5/2000 Lodi D8/387
 - 6,347,915 B1 * 2/2002 Balzano F16B 39/282
411/161
 - D466,990 S * 12/2002 Wang D23/252
- (Continued)

FOREIGN PATENT DOCUMENTS

- CN 301792610 * 1/2012
 - CN 303074534 * 1/2015
- (Continued)

Primary Examiner — Sheryl Lane
Assistant Examiner — Ieisha N Price

(56) **References Cited**

U.S. PATENT DOCUMENTS

- 559,464 A * 5/1896 Rohrbach F16B 39/24
411/980
- 894,693 A * 7/1908 Parkhurst F16B 39/24
411/260
- 1,063,813 A * 6/1913 McGinn F16B 39/24
411/980
- 1,202,893 A * 10/1916 Regal F16B 39/24
411/313
- 1,382,524 A * 6/1921 Mackintosh F16B 39/24
411/953
- 1,520,567 A * 12/1924 Dorsey F16B 39/24
411/933
- 1,724,595 A * 8/1929 Hyle F16B 39/24
411/956
- 3,459,096 A * 8/1969 Parkin F16B 39/24
411/523
- 4,284,114 A * 8/1981 Korenobu E01B 9/12
411/119

(57) **CLAIM**

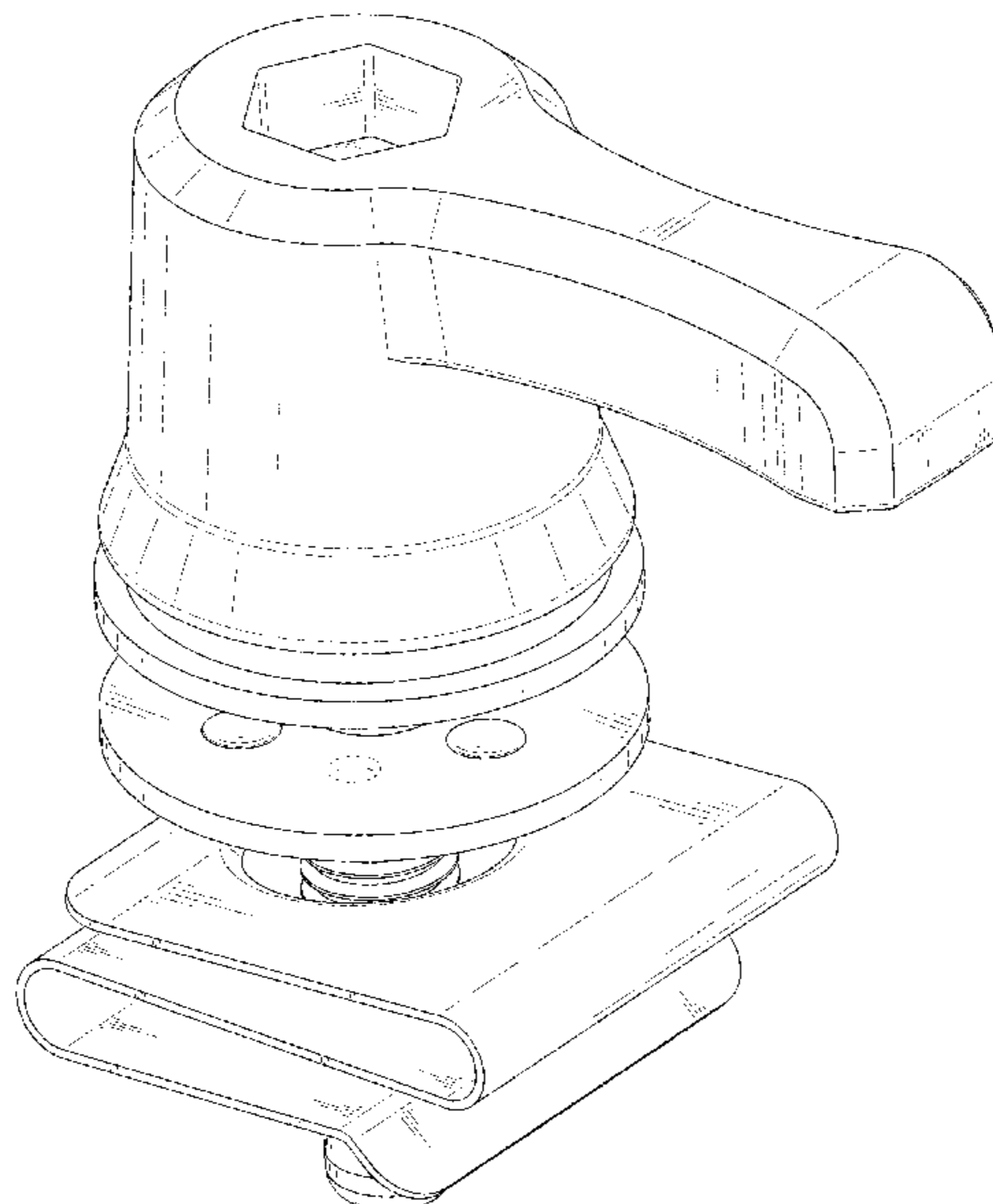
The ornamental design for an anti-loosening screw, as shown and described.

DESCRIPTION

FIG. 1 is a perspective view of an anti-loosening screw showing my new design;
 FIG. 2 is another perspective view thereof;
 FIG. 3 is a front elevational view thereof;
 FIG. 4 is a rear elevational view thereof;
 FIG. 5 is a left side elevational view thereof;
 FIG. 6 is a right side elevational view thereof;
 FIG. 7 is a top plan view thereof; and,
 FIG. 8 is a bottom plan view thereof.

The broken lines in the drawings depict portions of the anti-loosening screw that form no part of the claimed design.

1 Claim, 8 Drawing Sheets



(56)

References Cited

U.S. PATENT DOCUMENTS

D485,163 S * 1/2004 Twomey D8/399
 D496,852 S * 10/2004 Gass D8/387
 7,905,695 B2 * 3/2011 O'Brien F16B 39/26
 411/149
 D709,351 S * 7/2014 Le D8/331
 9,080,347 B2 * 7/2015 Le E05B 35/008
 9,702,386 B2 * 7/2017 Reznar F16B 5/0208
 D793,838 S * 8/2017 Le D8/302
 D793,850 S 8/2017 Zhang
 D794,411 S * 8/2017 Le D8/302
 D811,868 S 3/2018 Totsu
 10,197,088 B2 * 2/2019 Dang F16B 37/0842
 10,855,000 B1 * 12/2020 Randolph H01R 13/648
 11,077,538 B2 * 8/2021 Lares B25B 23/10
 11,199,215 B2 * 12/2021 Mahaffey F16B 37/044
 2008/0310931 A1 * 12/2008 Csik F16B 37/043
 411/103
 2009/0003961 A1 * 1/2009 Benkel F16B 37/043
 411/366.1

2009/0102276 A1 * 4/2009 Mercat B62K 25/02
 301/124.2
 2010/0054894 A1 * 3/2010 Caballero Asensio . F16B 39/10
 411/524
 2013/0183117 A1 * 7/2013 Warburton F16B 39/108
 411/119
 2015/0166191 A1 * 6/2015 Cassagne B64D 27/26
 244/54
 2016/0264198 A1 * 9/2016 Lorenzo F16B 41/005
 2016/0298674 A1 * 10/2016 Bouchenoire B60N 2/0715
 2018/0135673 A1 * 5/2018 Binkert F16B 37/043
 2019/0257348 A1 * 8/2019 Tamer F16B 39/08
 2020/0256371 A1 * 8/2020 Brown F16B 21/16
 2021/0231162 A1 * 7/2021 Tan F16B 41/002

FOREIGN PATENT DOCUMENTS

CN 303894558 * 10/2016
 CN 305884145 * 6/2020
 CN 306291710 * 1/2021
 CN 306313096 * 2/2021
 CN 306547841 * 5/2021
 WO WOD092331-001 * 9/2016

* cited by examiner

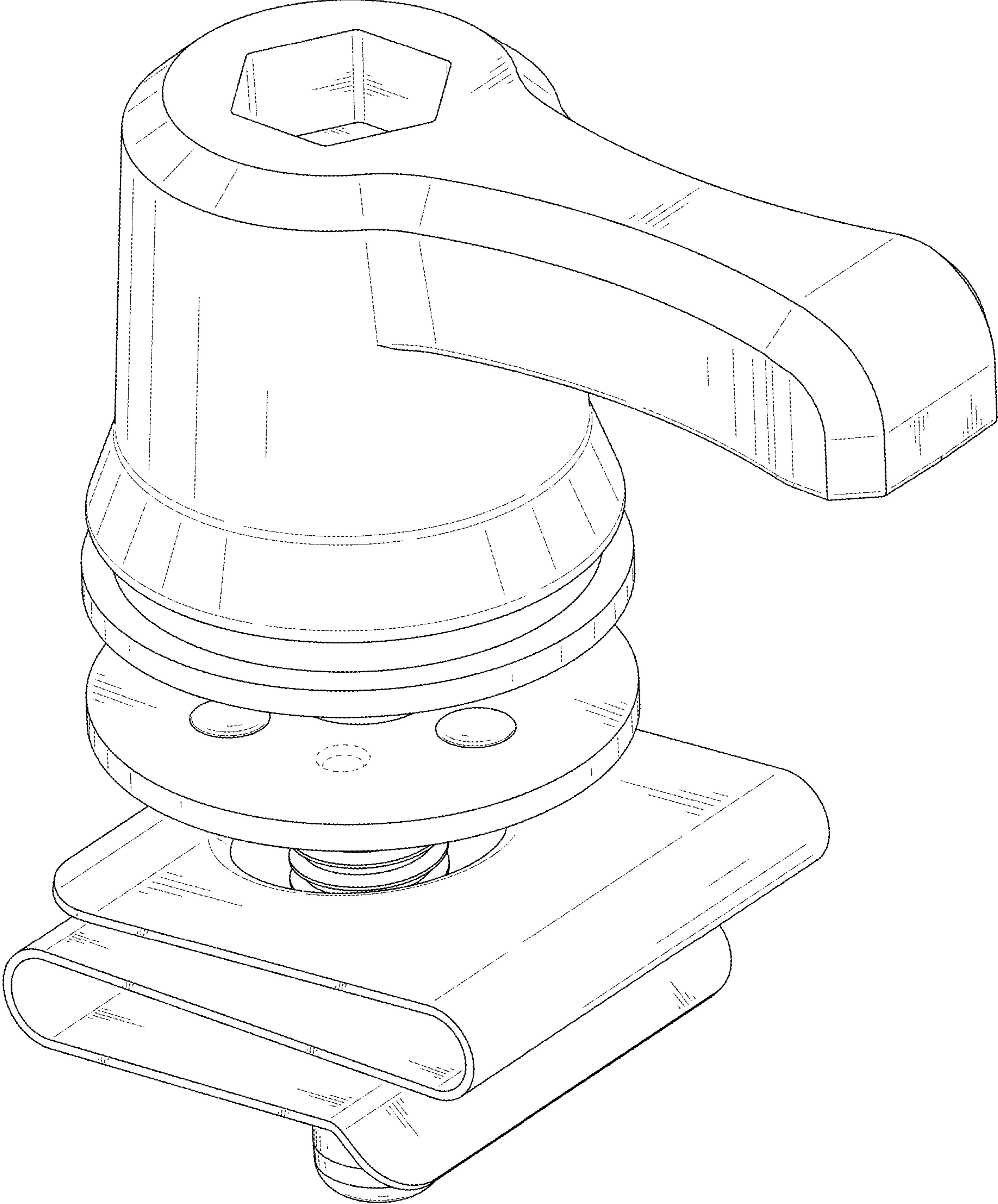


FIG. 1

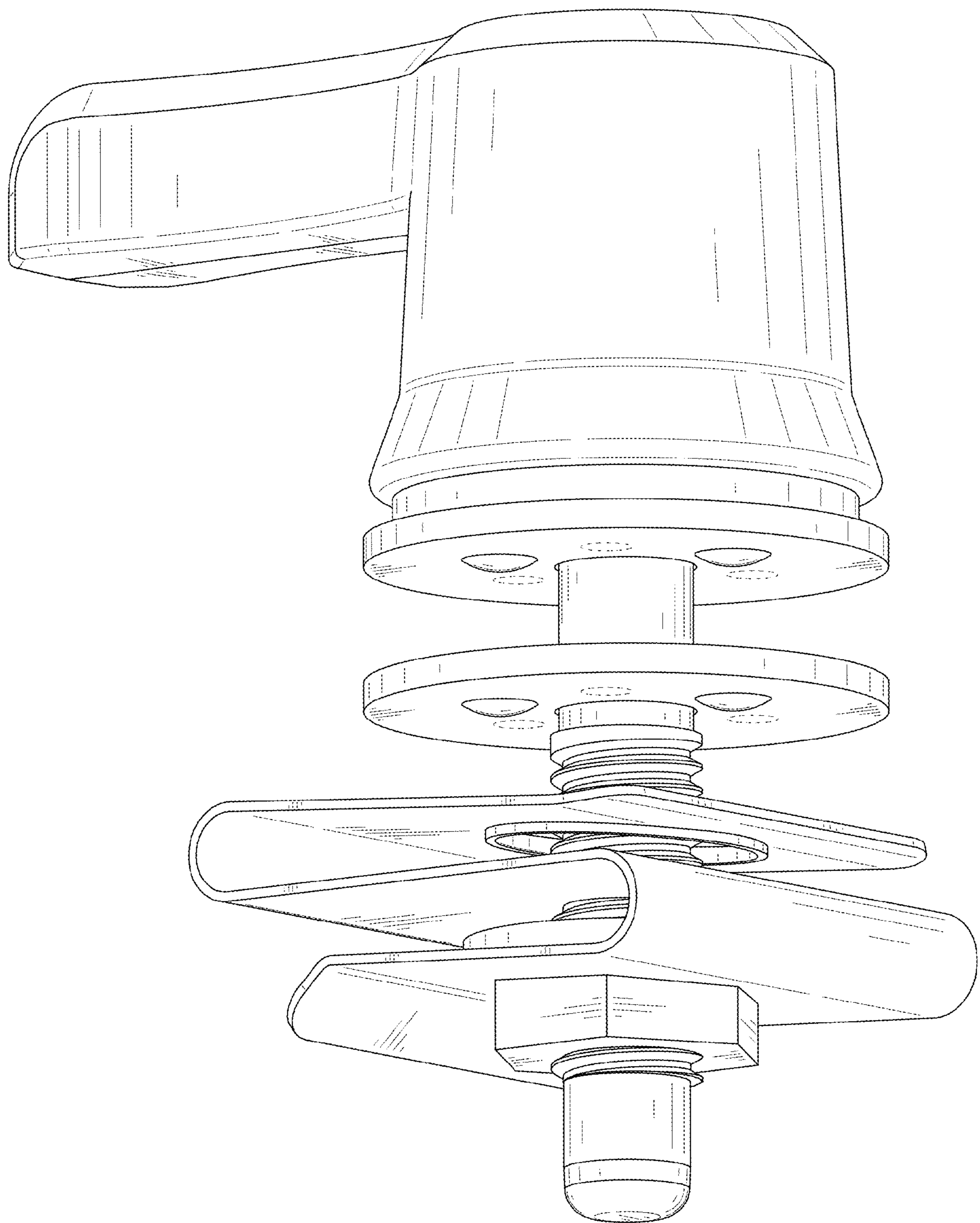


FIG. 2

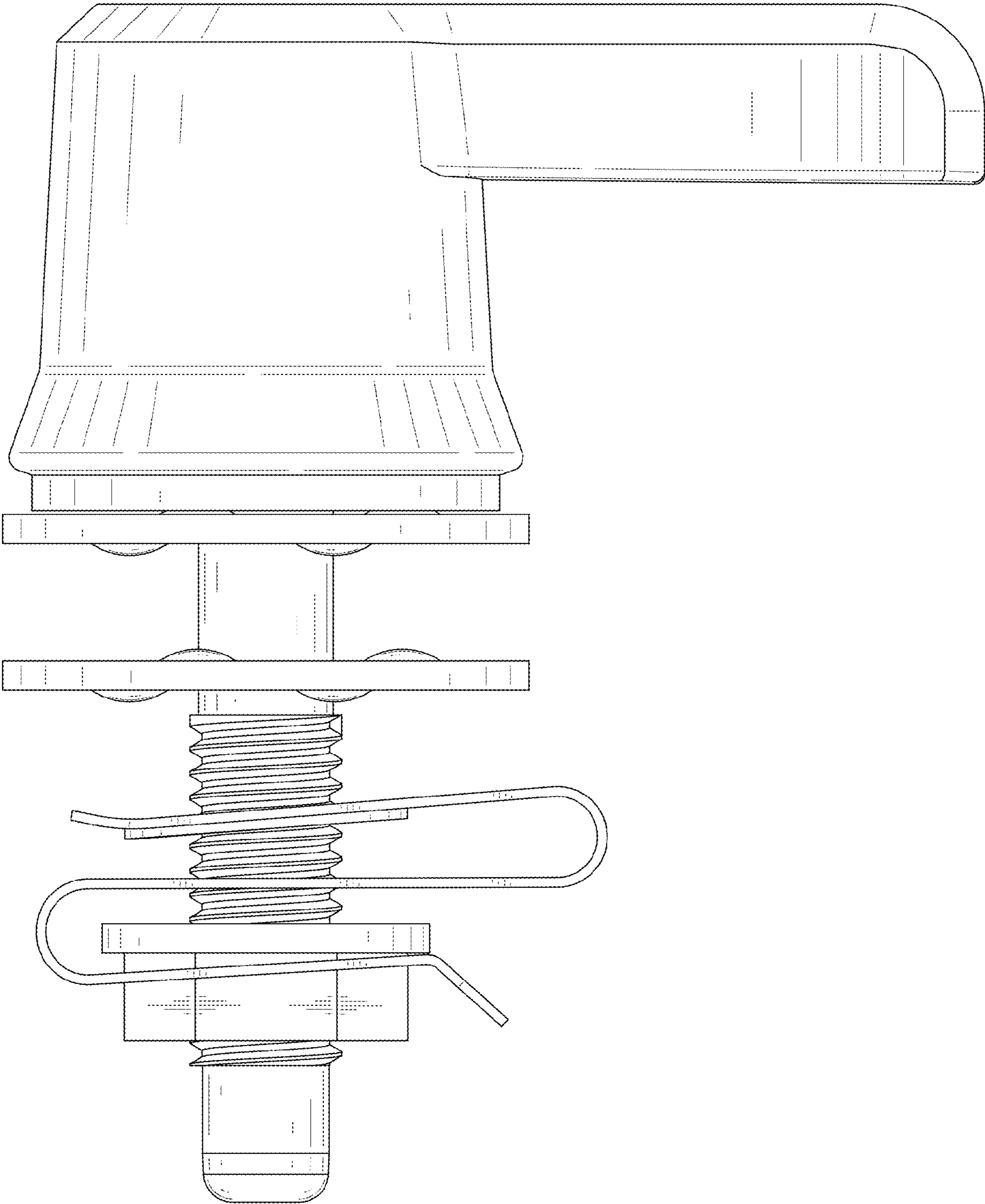


FIG. 3

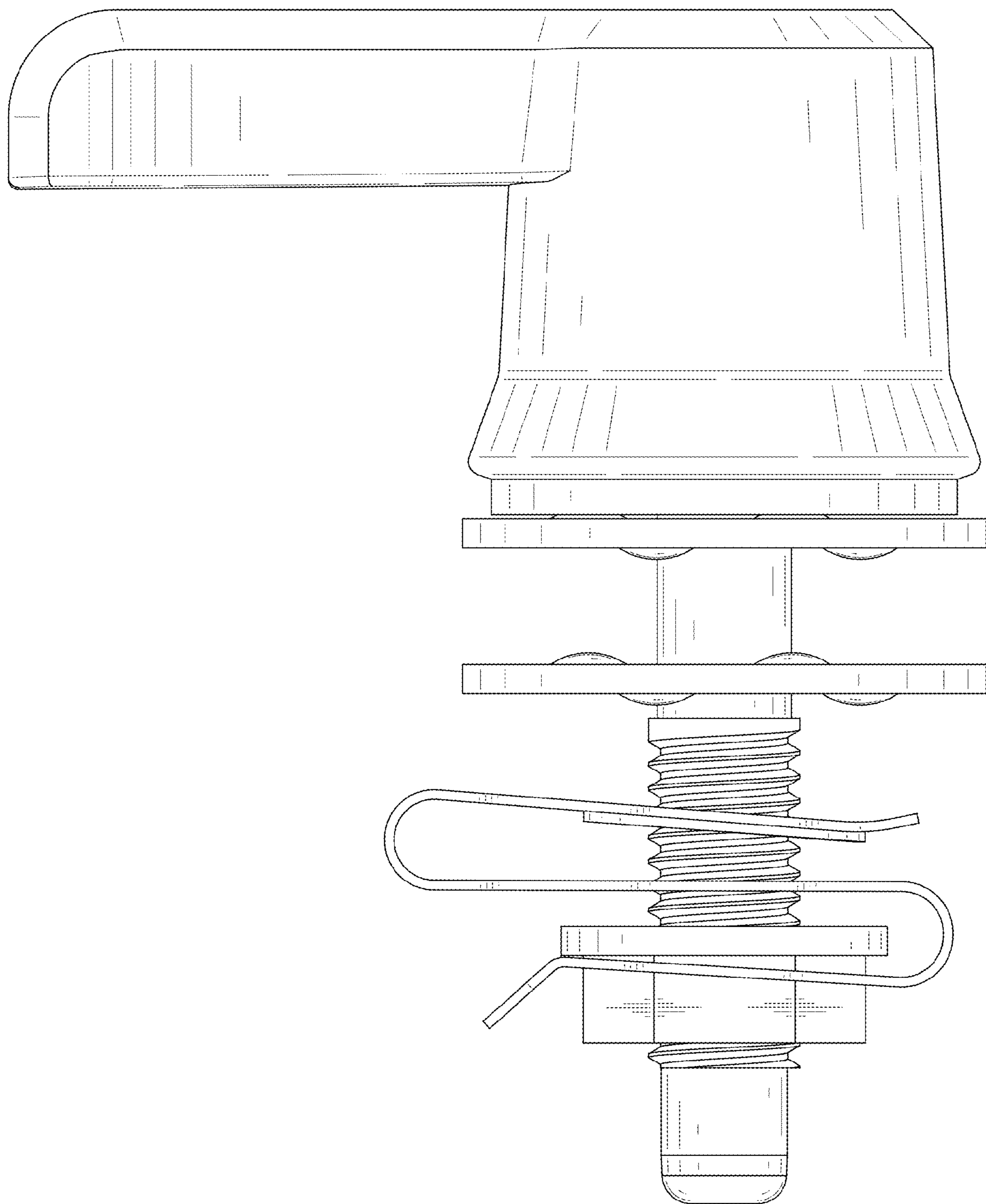


FIG. 4

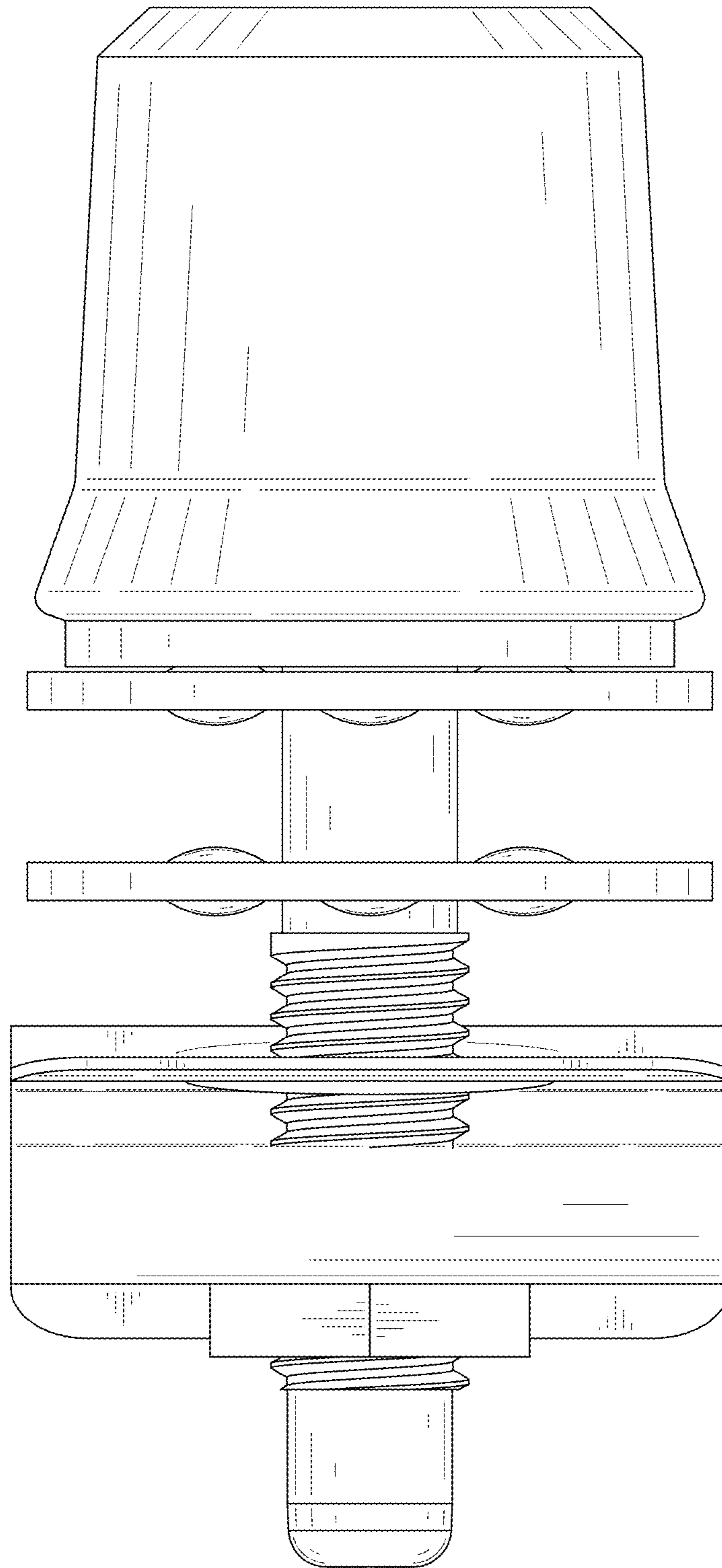


FIG. 5

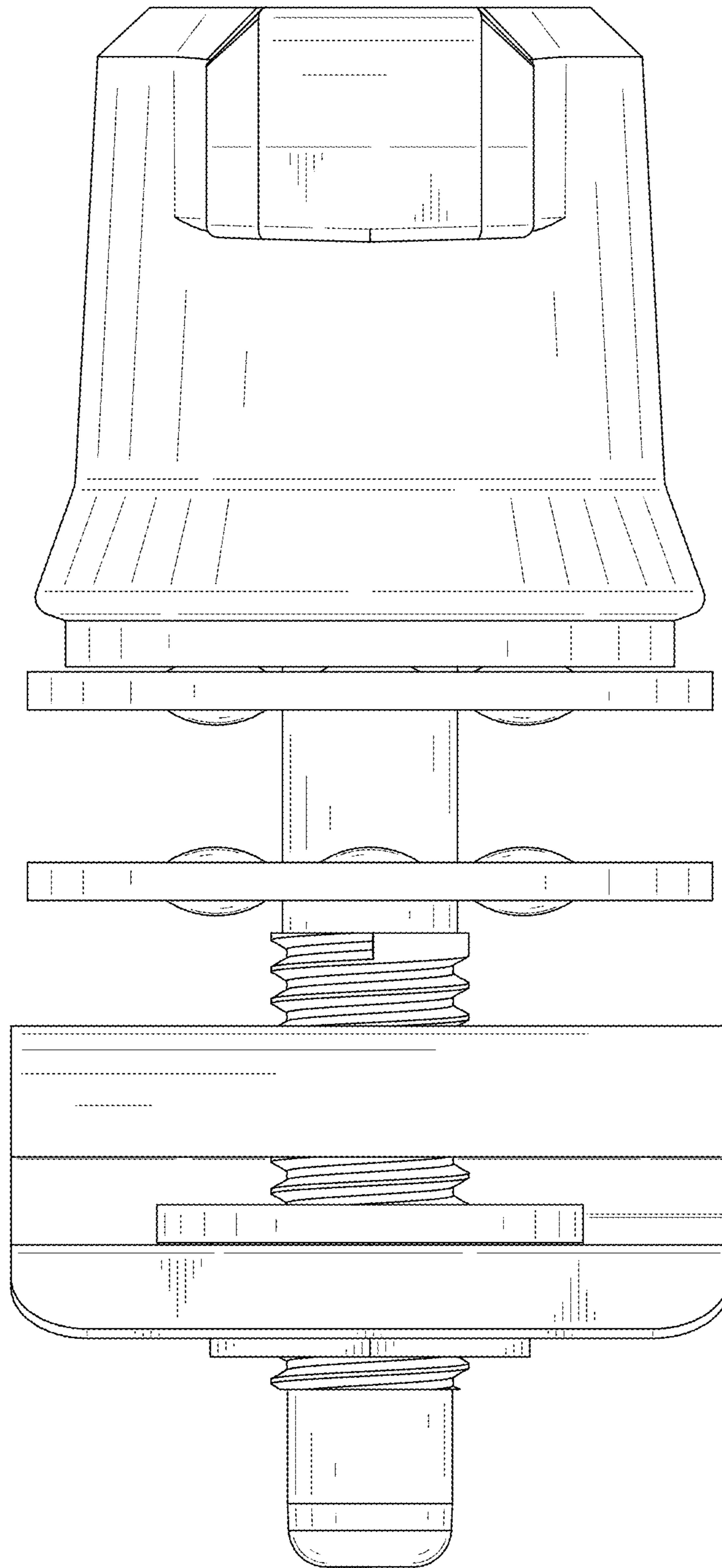


FIG. 6

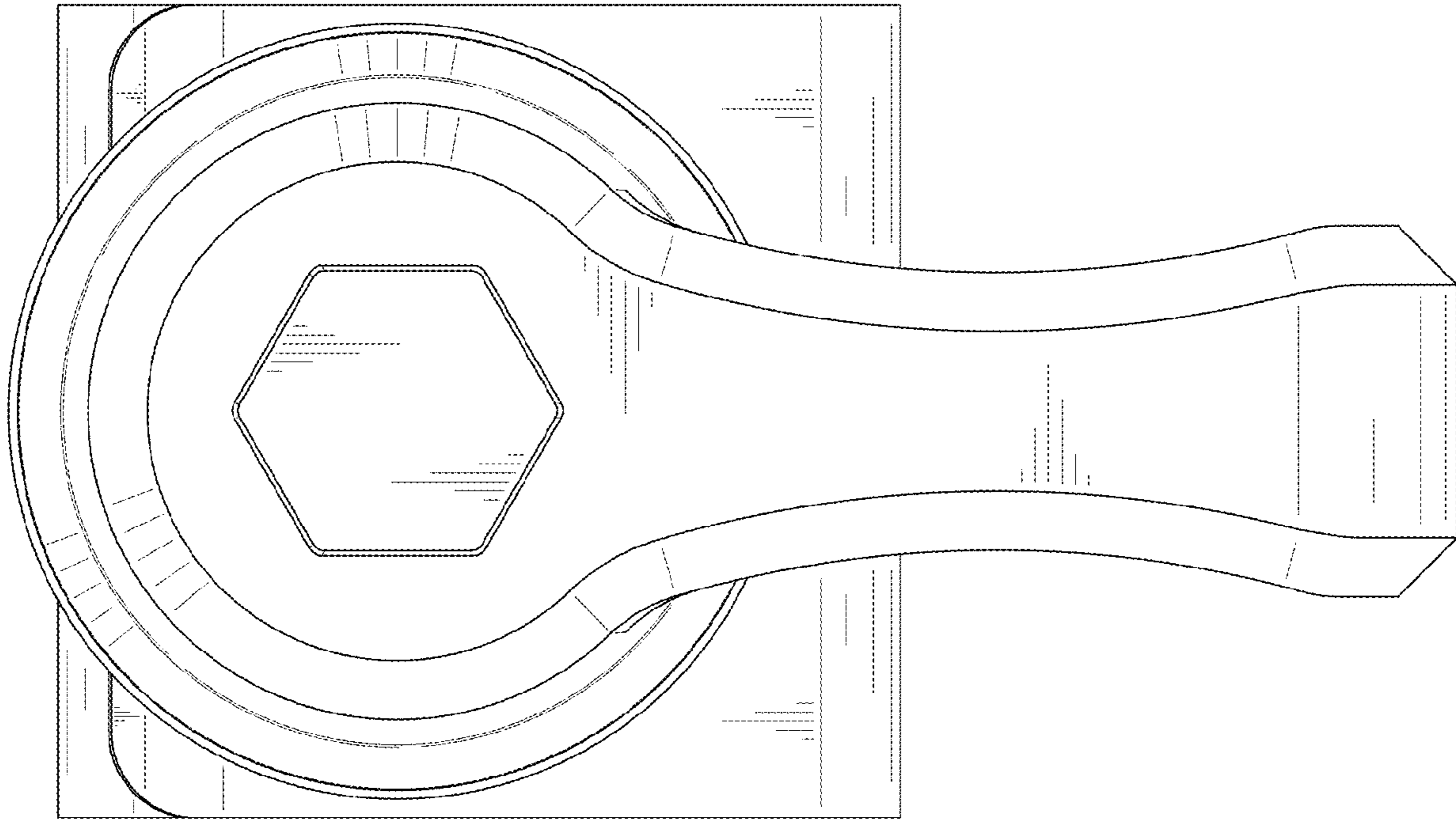


FIG. 7

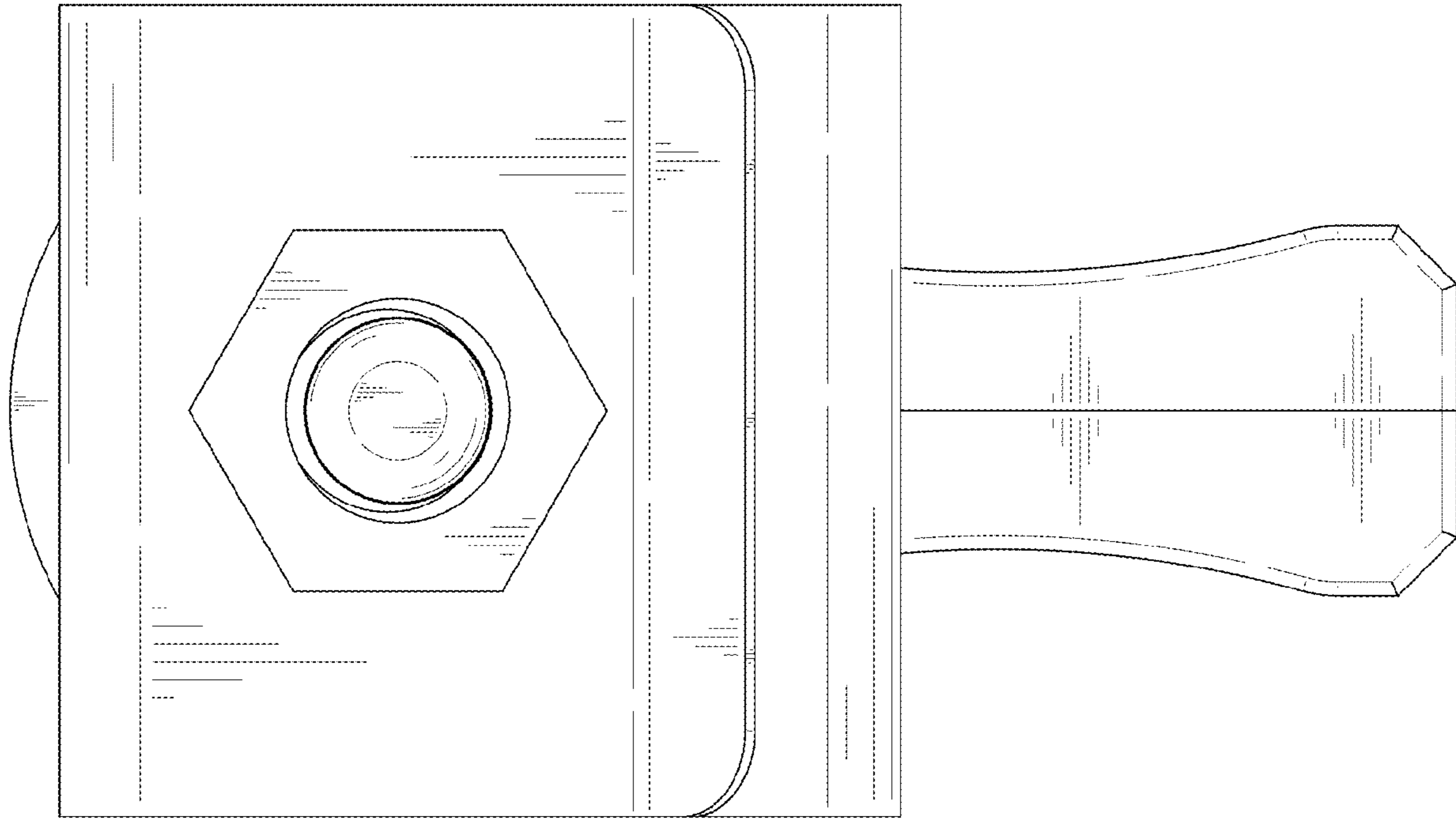


FIG. 8