



US00D948321S

(12) **United States Design Patent** (10) **Patent No.:** **US D948,321 S**
Ji (45) **Date of Patent:** **** Apr. 12, 2022**

(54) **HOOK**
(71) Applicant: **SHANTOU TAIHUI TRADING CO., LTD.**, Shantou (CN)
(72) Inventor: **Yueshen Ji**, Shantou (CN)
(73) Assignee: **SHANTOU TAIHUI TRADING CO., LTD.**, Shantou (CN)
(**) Term: **15 Years**
(21) Appl. No.: **29/769,412**
(22) Filed: **Feb. 5, 2021**
(51) **LOC (13) Cl.** **08-05**
(52) **U.S. Cl.**
USPC **D8/370**
(58) **Field of Classification Search**
USPC D8/354, 366, 371, 372, 367, 374, 373,
D8/376, 375, 16, 19, 45, 380, 381, 394,
D8/71, 370; D20/42, 43; D11/164, 132
CPC F16B 45/00; F16B 25/00
See application file for complete search history.

D611,803 S * 3/2010 Lien D8/370
D817,748 S 5/2018 Wang et al.
D893,984 S * 8/2020 Rateliff D8/367
D896,620 S 9/2020 Tsai
D926,558 S * 8/2021 Zeng D8/367

OTHER PUBLICATIONS

Posted on Jan. 4, 2021 at https://www.amazon.com/Beheno-Q-Hanger-Outdoor-String-Release/dp/B08RXVW757/ref=asc_df_B08RXVW757/?tag=hyprod-20&linkCode=df0&hvadid=475794862994&hvpos=&hvnetw=g&hvrnd=13428060671790706036&hvpone=&hvptwo=&hvqmt=&hvdev=c&hvdvcmld=&hvlocint=&hvlocphy=9009694&hvtargid=pla-1186549340806&th=1.

* cited by examiner

Primary Examiner — Eliza Z Bennett-Hattan

(57) **CLAIM**

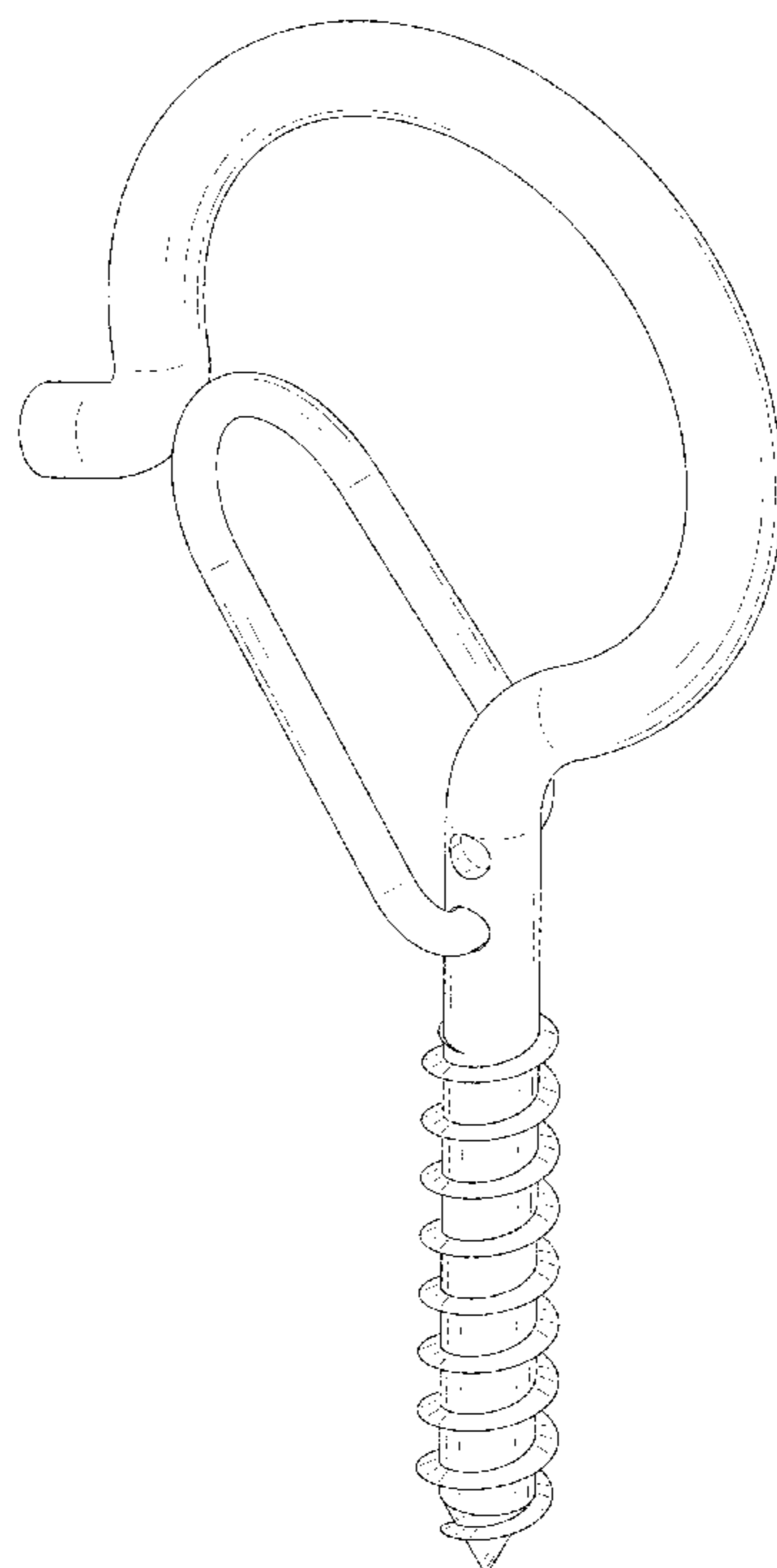
The ornamental design for a hook, as shown and described.

DESCRIPTION

FIG. 1 is a perspective view of a hook showing my new design;
FIG. 2 is another perspective view thereof;
FIG. 3 is a front elevational view thereof
FIG. 4 is a rear elevational view thereof;
FIG. 5 is a left side elevational view thereof;
FIG. 6 is a right side elevational view thereof;
FIG. 7 is a top plan view thereof; and,
FIG. 8 is a bottom plan view thereof.
The broken lines in the drawings depict portions of the hook that form no part of the claimed design.

1 Claim, 8 Drawing Sheets

(56) **References Cited**
U.S. PATENT DOCUMENTS
D27,608 S * 8/1897 Clark D8/367
D31,861 S * 11/1899 Copeland D13/132
D34,534 S * 5/1901 Salagher D8/370
D34,862 S * 7/1901 Stuckey et al. D8/363
D115,773 S * 7/1939 Strand D8/367
D116,867 S * 9/1939 Strand D8/370
4,025,014 A * 5/1977 Larson E05B 73/0005
248/552
D281,950 S * 12/1985 Sachs D8/370



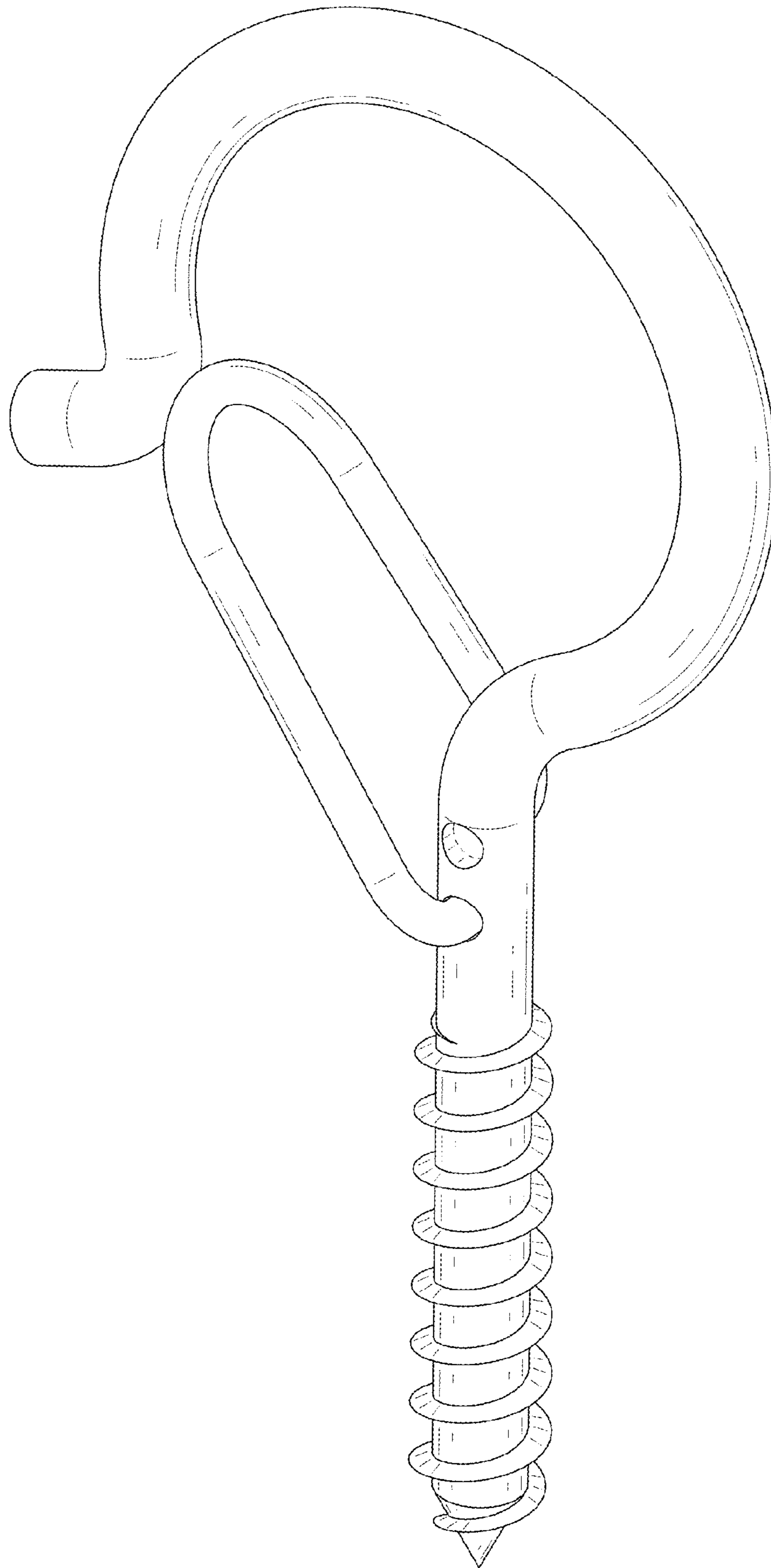


FIG. 1

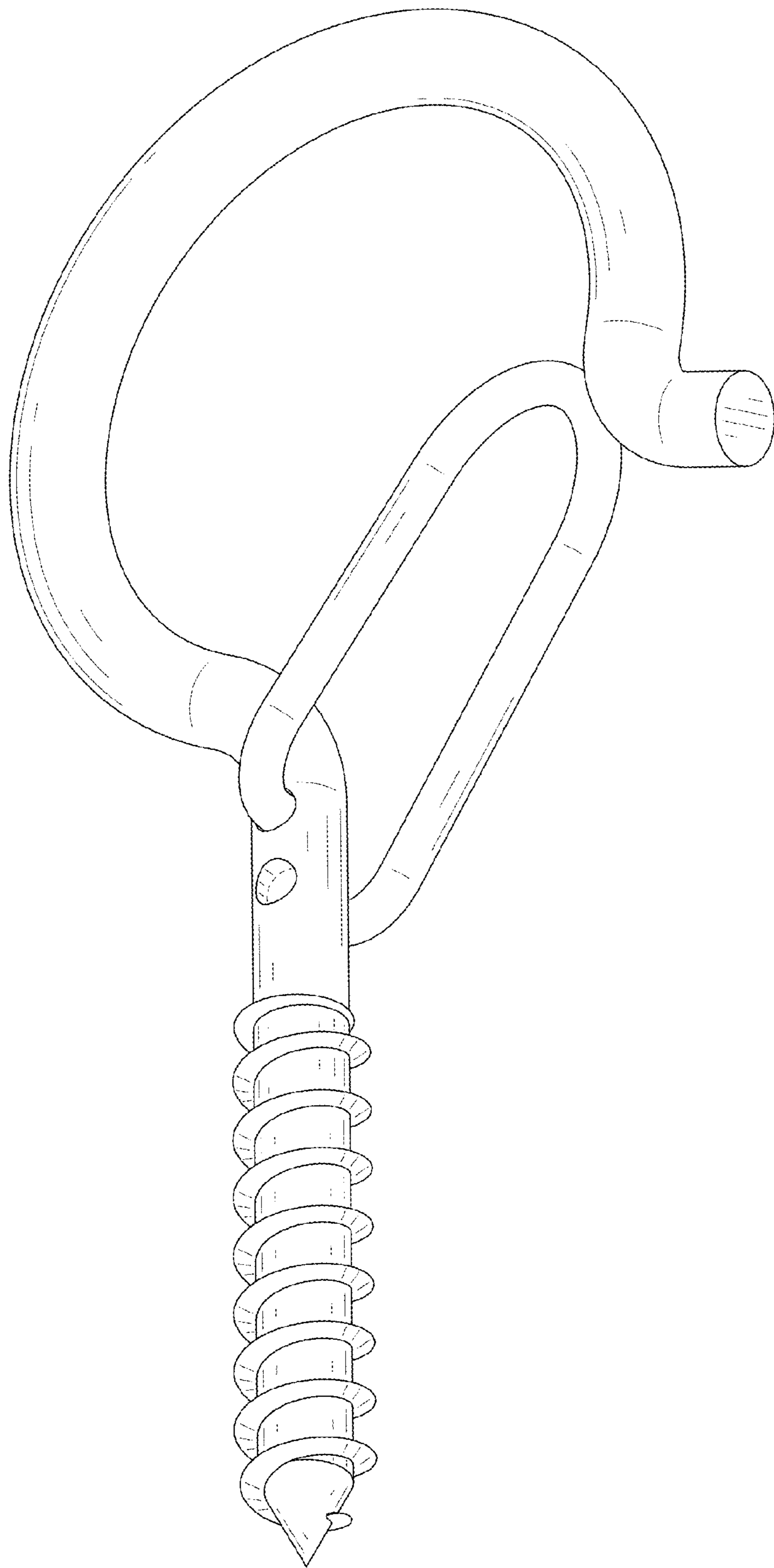


FIG. 2

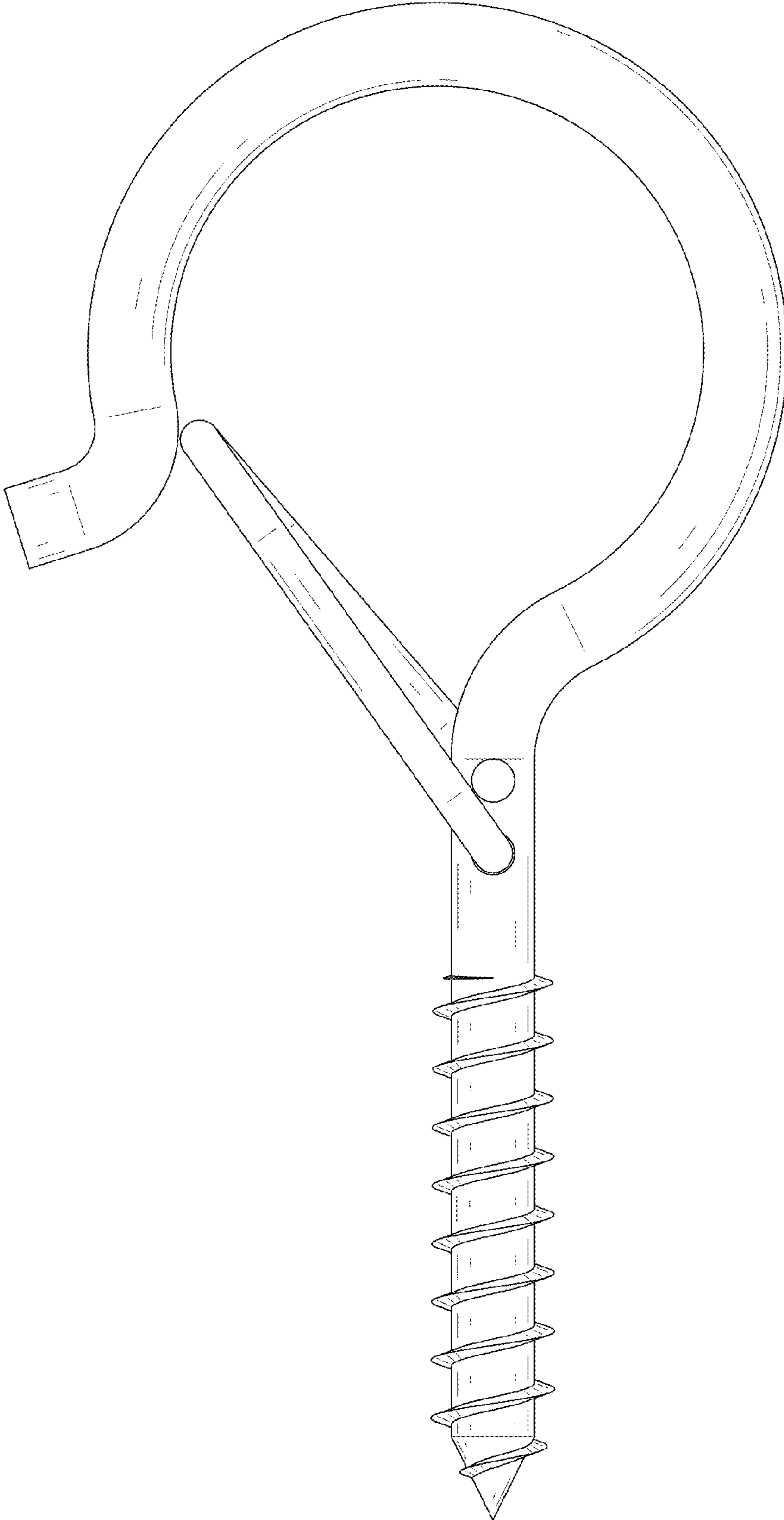


FIG. 3

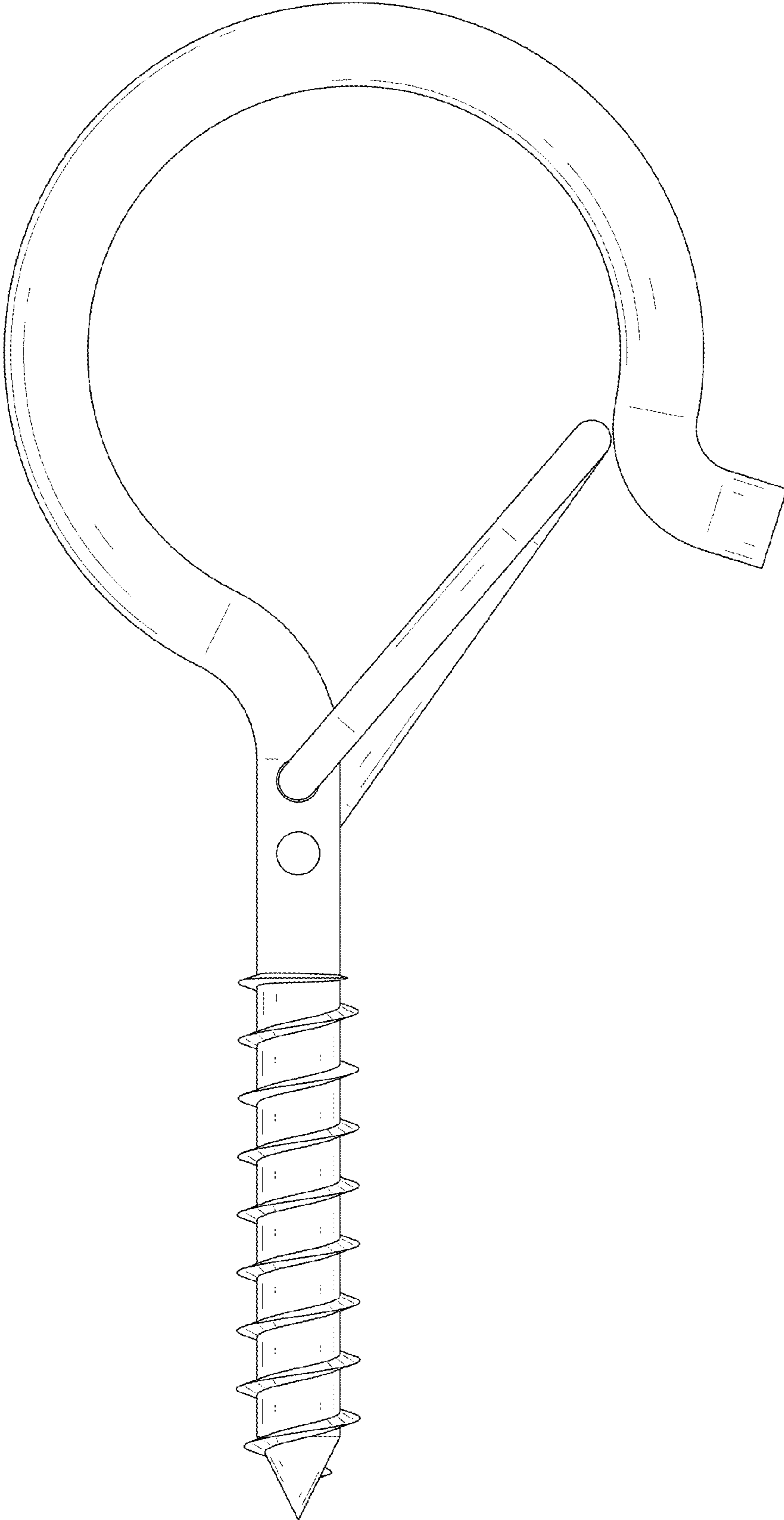


FIG. 4

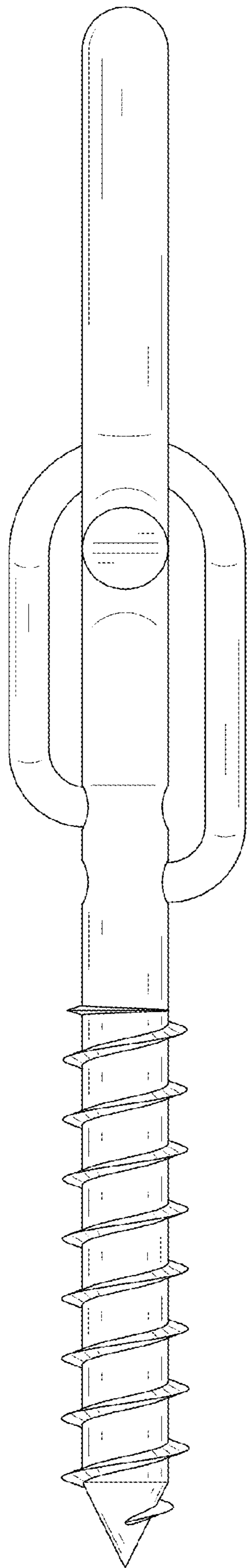


FIG. 5

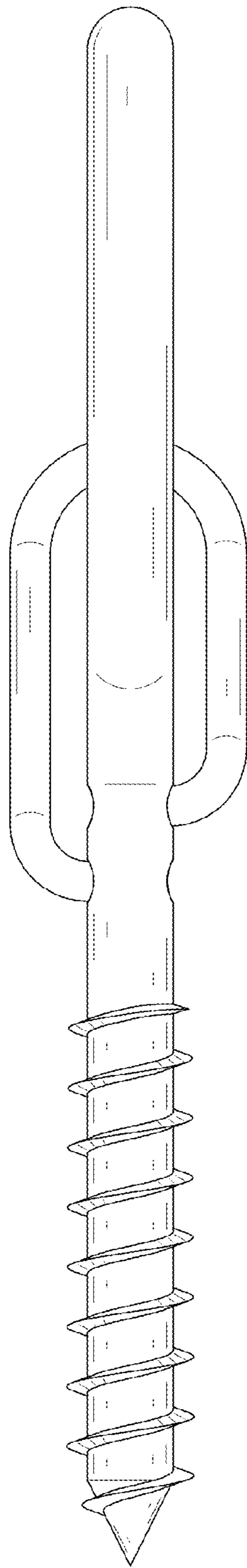


FIG. 6

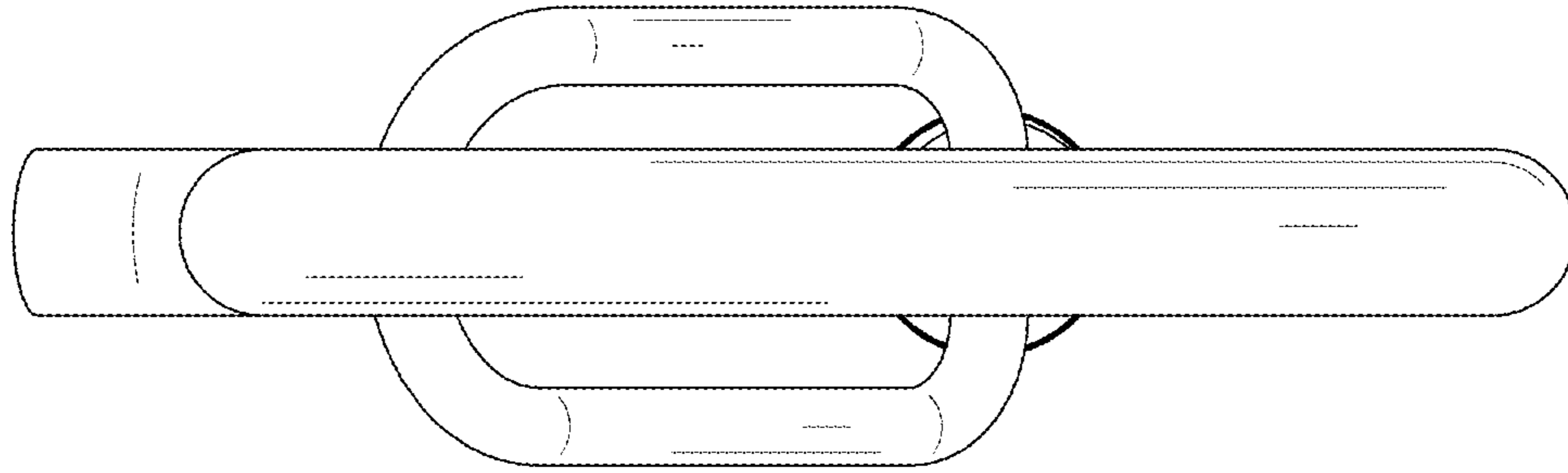


FIG. 7

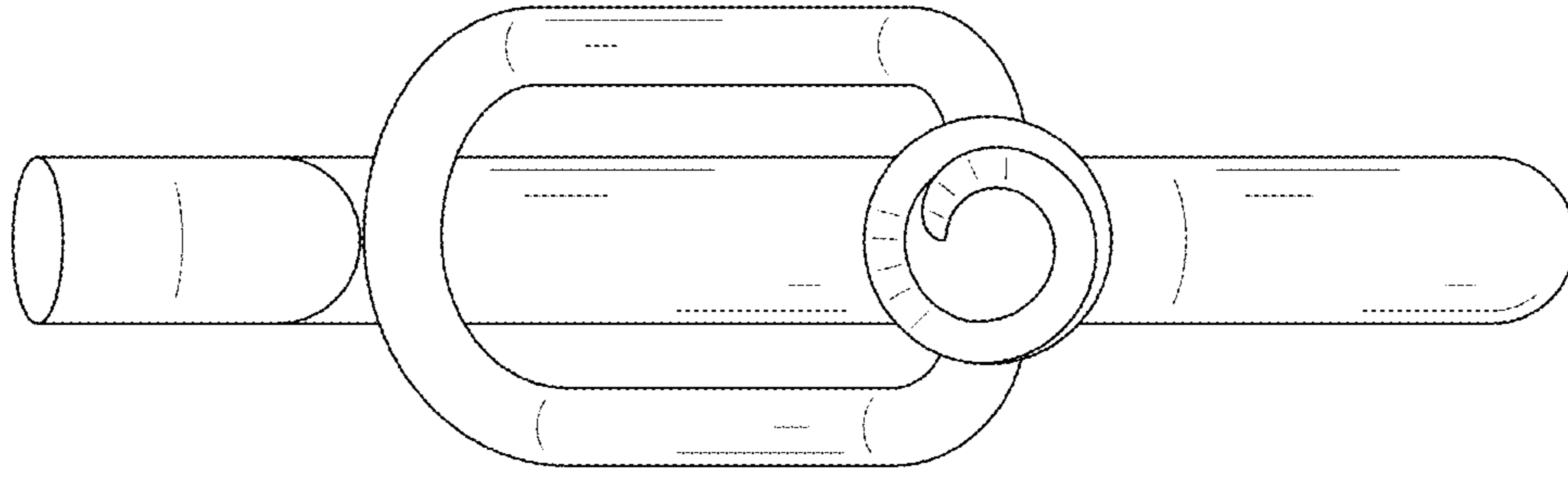


FIG. 8