



US00D948320S

(12) **United States Design Patent**
Zeng

(10) **Patent No.:** **US D948,320 S**

(45) **Date of Patent:** **** Apr. 12, 2022**

- (54) **HOOK**
- (71) Applicant: **Xiaofang Zeng**, Dongguan (CN)
- (72) Inventor: **Xiaofang Zeng**, Dongguan (CN)
- (**) Term: **15 Years**
- (21) Appl. No.: **29/783,871**
- (22) Filed: **May 16, 2021**
- (51) **LOC (13) Cl.** **08-05**
- (52) **U.S. Cl.**
USPC **D8/367**
- (58) **Field of Classification Search**
USPC D8/367, 354, 349, 373, 371, 393, 387;
248/301-304, 339
CPC A47G 1/00; A47G 25/00
See application file for complete search history.

D611,803 S *	3/2010	Lien	D8/387
D733,545 S *	7/2015	Charette	D8/387
D766,711 S *	9/2016	Babbage	D8/394
D801,787 S	11/2017	Pan et al.	
D817,747 S	5/2018	Dockery et al.	
D893,984 S *	8/2020	Rateliff	D8/367
D917,266 S *	4/2021	Winnie	D8/367
D926,558 S *	8/2021	Zeng	D8/367

* cited by examiner

Primary Examiner — Cynthia R Underwood

(57) **CLAIM**

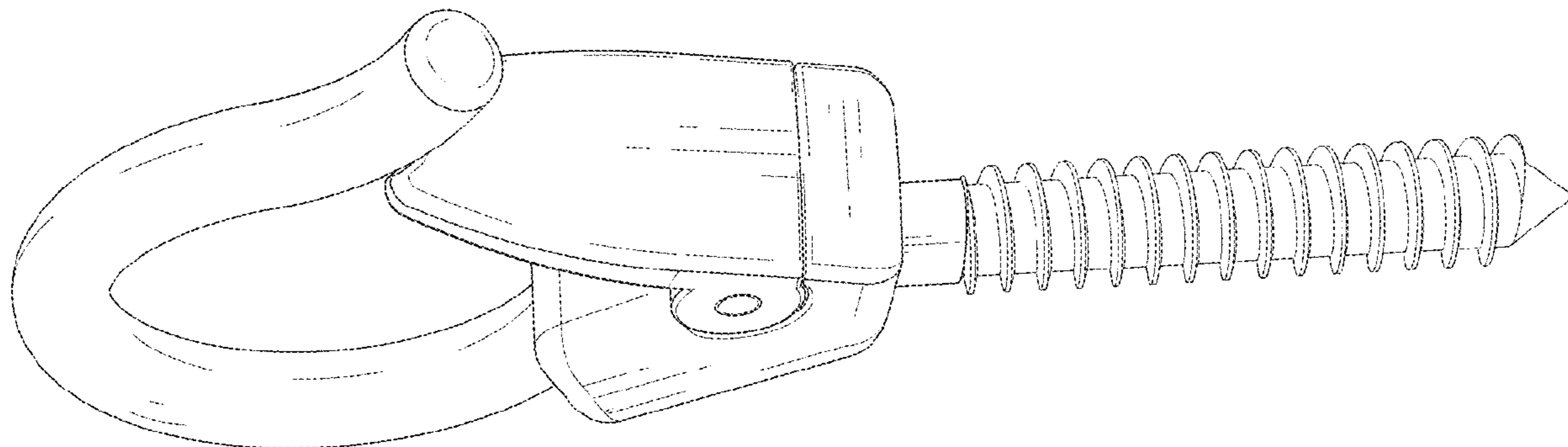
The ornamental design for a hook, as shown and described.

DESCRIPTION

FIG. 1 is a perspective view of a hook showing my new design;
 FIG. 2 is a top plan view thereof;
 FIG. 3 is a bottom plan view thereof;
 FIG. 4 is a left side elevational view thereof;
 FIG. 5 is a right side elevational view thereof;
 FIG. 6 is a front elevational view thereof; and,
 FIG. 7 is a rear elevational view thereof.

1 Claim, 7 Drawing Sheets

- (56) **References Cited**
U.S. PATENT DOCUMENTS
- | | | | |
|----------------|---------|-------------------|-------------------------|
| D235,849 S * | 7/1975 | Hagelberg | D8/392 |
| 4,025,014 A * | 5/1977 | Larson | E05B 73/0005
248/552 |
| 7,077,612 B1 * | 7/2006 | Diggle, III | F16B 35/06
248/303 |
| D557,591 S * | 12/2007 | Mackey | D8/367 |
| D565,398 S * | 4/2008 | Pontaoe | D8/367 |



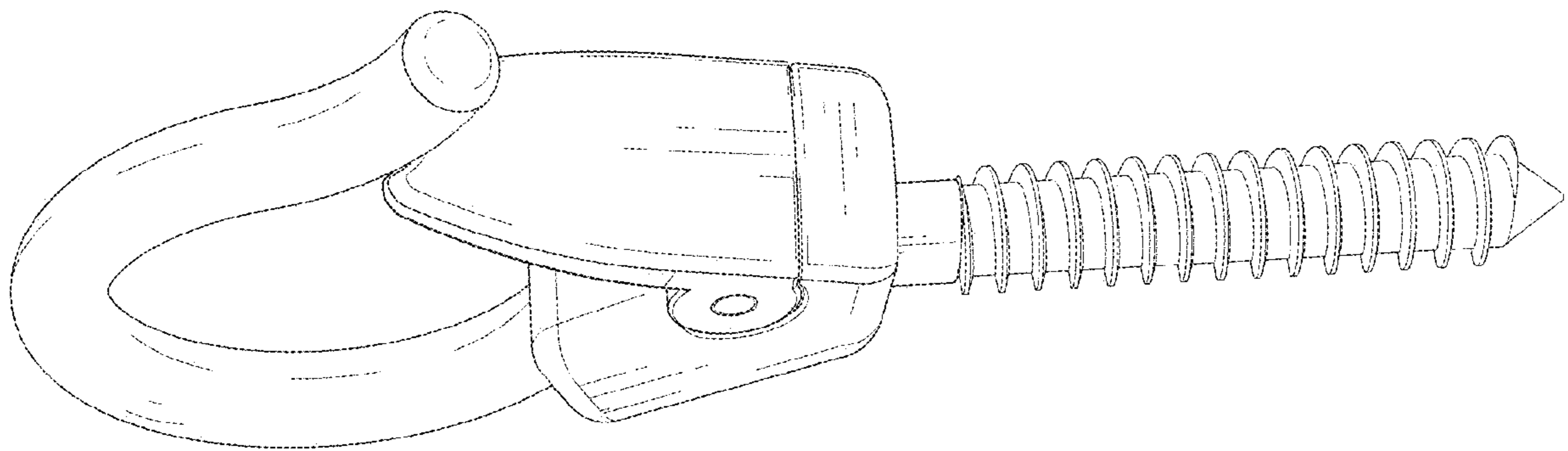


FIG. 1

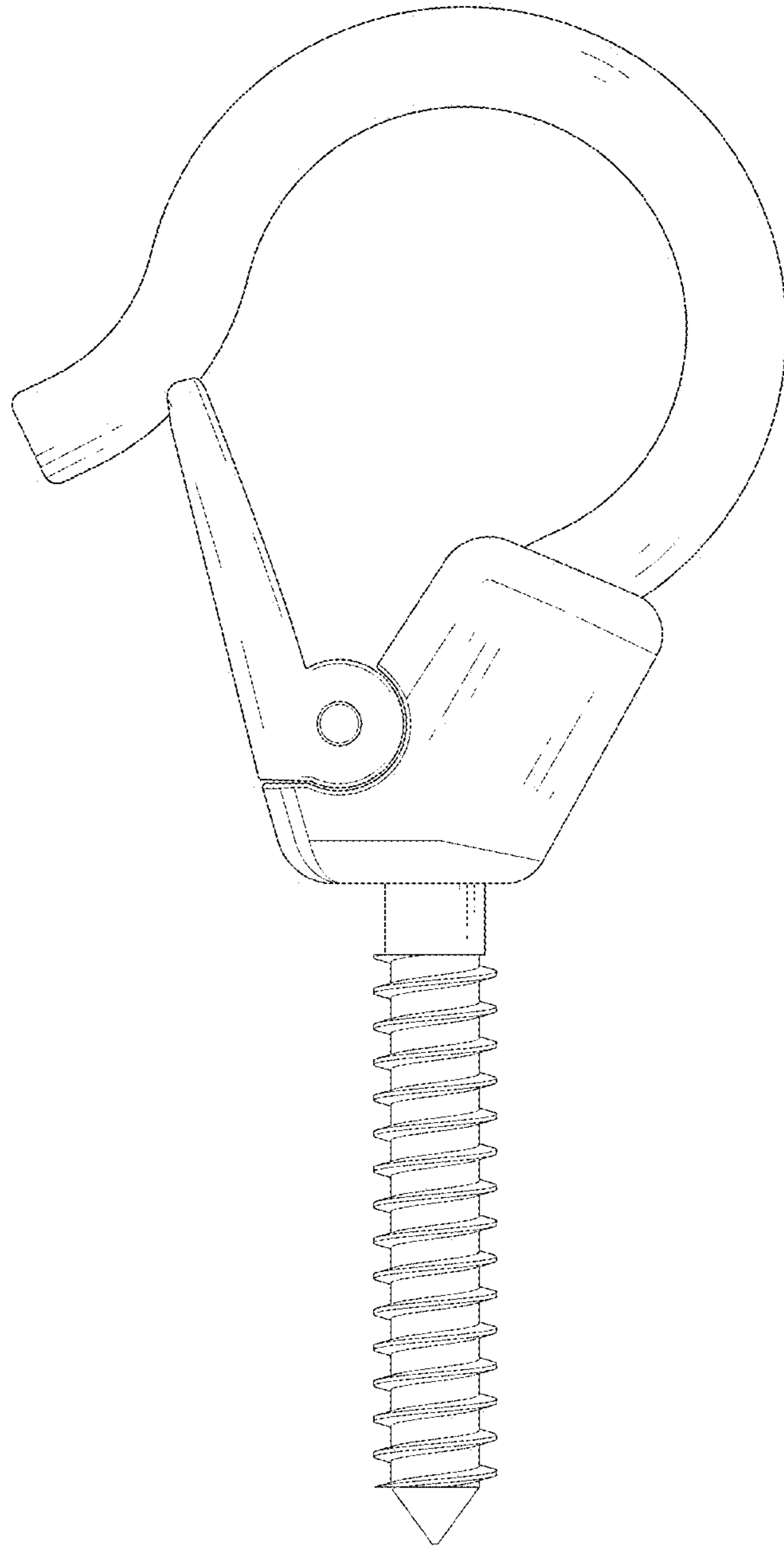


FIG. 2

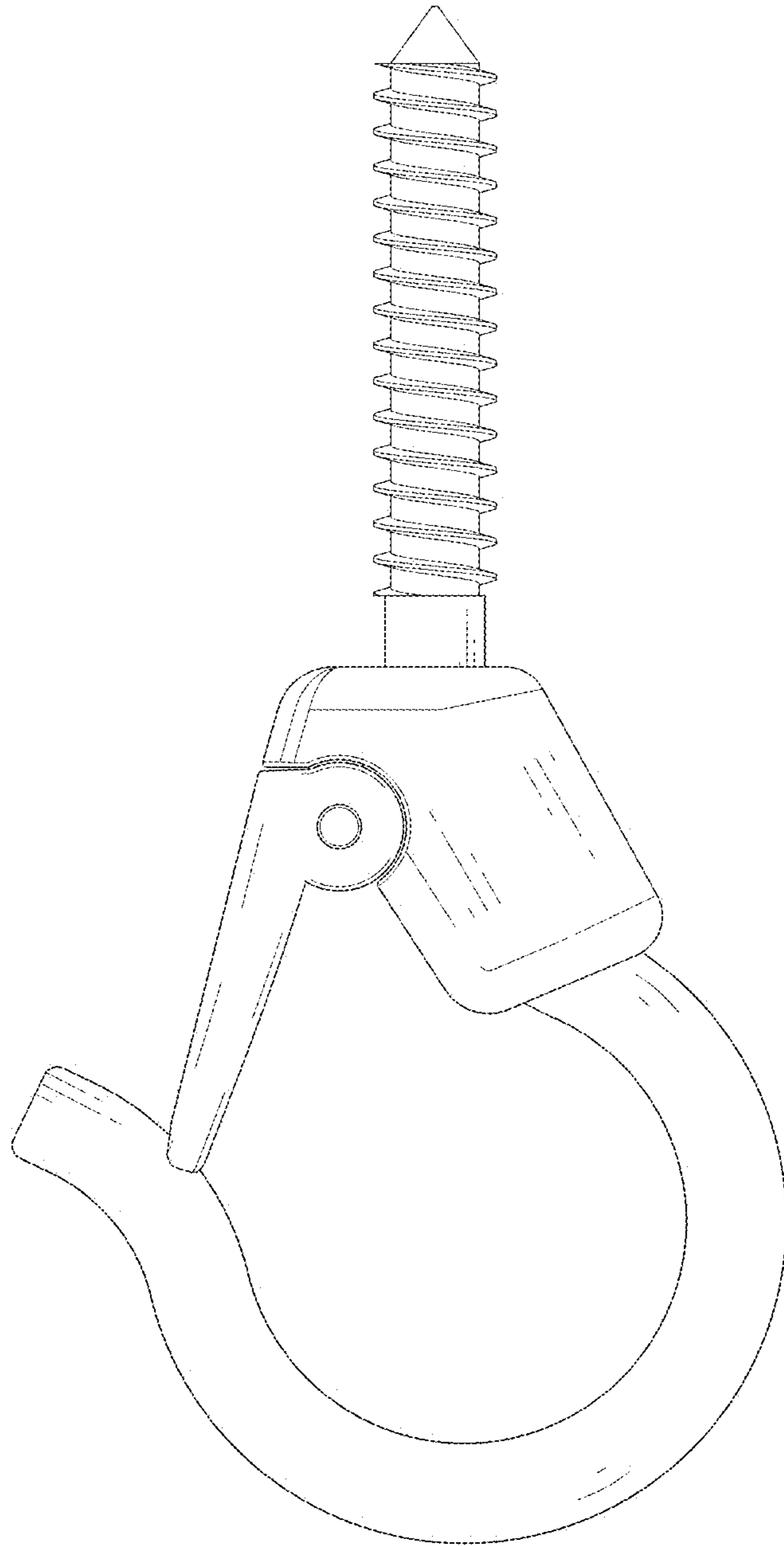


FIG. 3

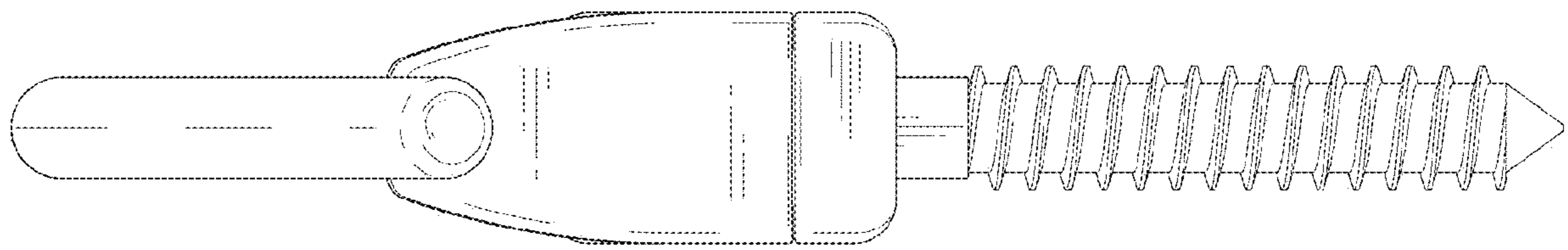


FIG. 4

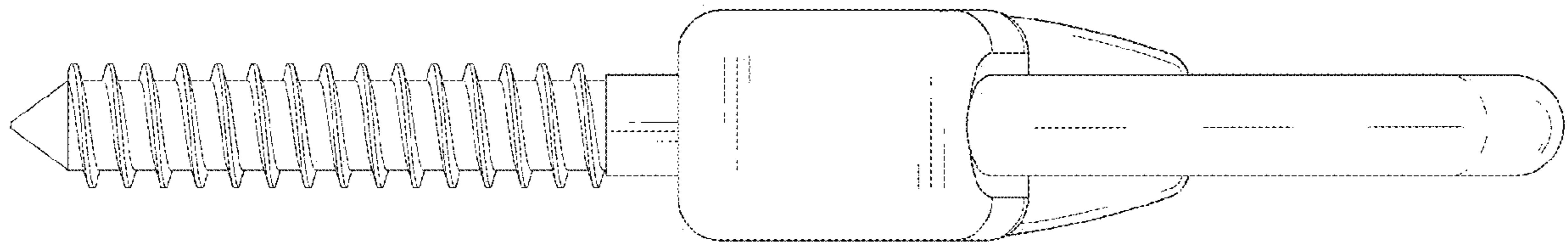


FIG. 5

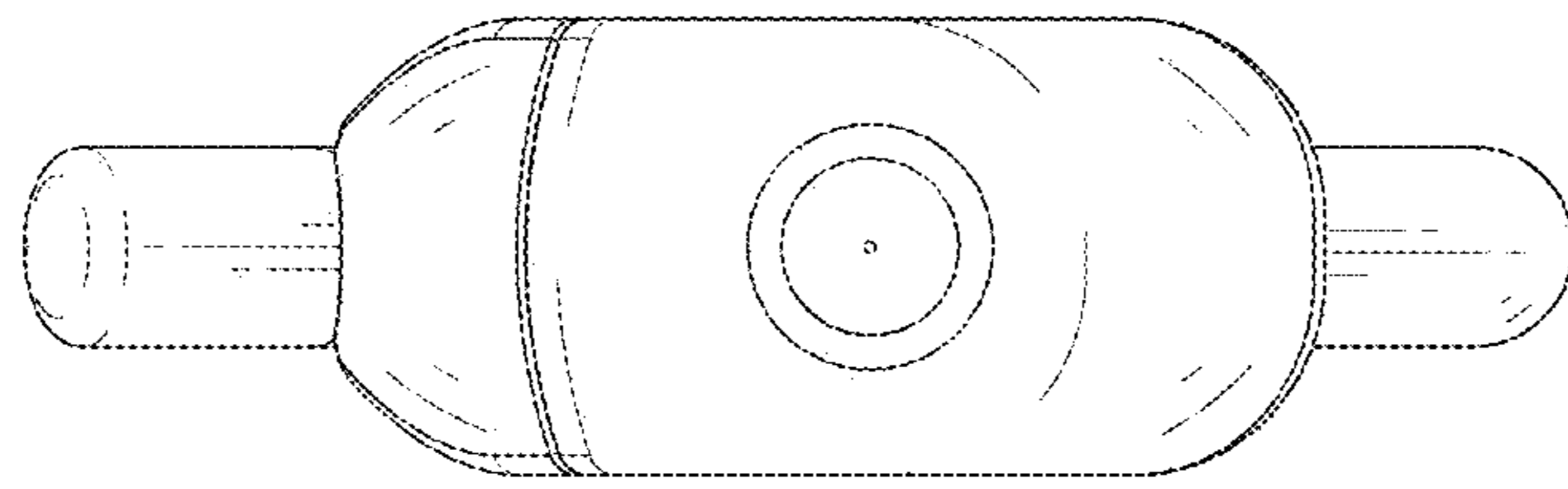


FIG. 6

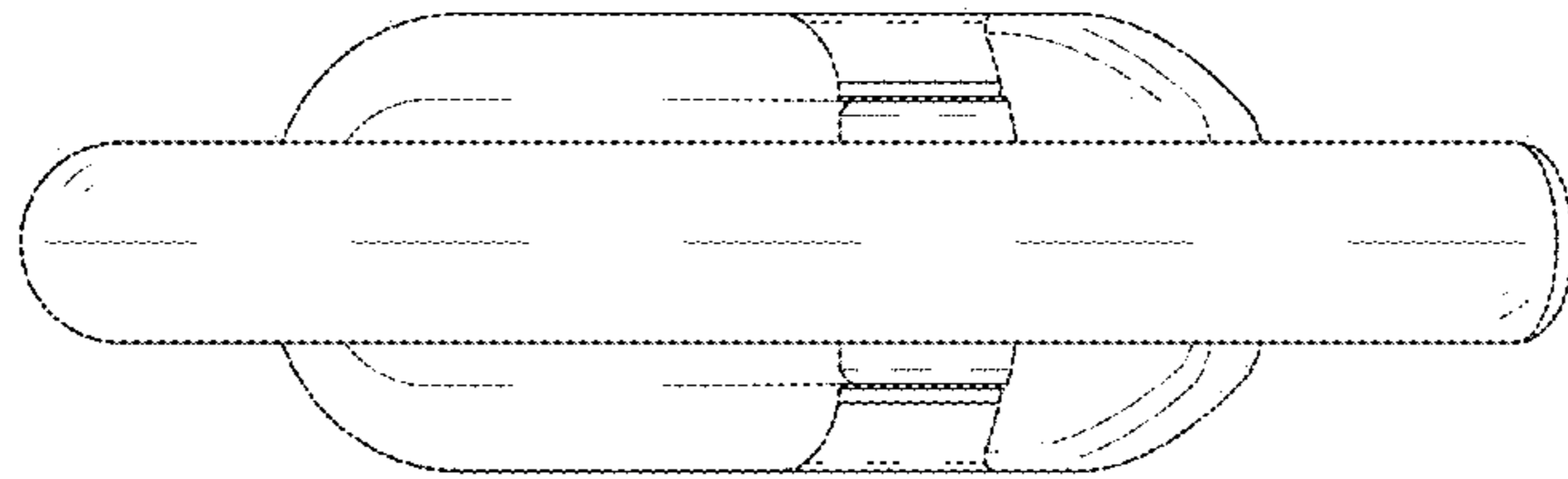


FIG. 7