



US00D948318S

(12) **United States Design Patent**  
**Feng**

(10) **Patent No.:** **US D948,318 S**

(45) **Date of Patent:** **\*\* Apr. 12, 2022**

- (54) **CAR SEAT HEADREST HOOK**
- (71) Applicant: **GUANGZHOU WENYI COMMUNICATION EQUIPMENT CO., LTD**, Guangzhou (CN)
- (72) Inventor: **YouRu Feng**, Guangzhou (CN)
- (73) Assignee: **GUANGZHOU WENYI COMMUNICATION EQUIPMENT CO., LTD**, Guangzhou (CN)
- (\*\*) Term: **15 Years**
- (21) Appl. No.: **29/779,787**
- (22) Filed: **Apr. 21, 2021**
- (51) **LOC (13) Cl.** ..... **08-05**
- (52) **U.S. Cl.**  
USPC ..... **D8/367**
- (58) **Field of Classification Search**  
USPC ..... D8/367, 354, 349, 373, 371, 393, 387;  
248/301-304, 339; D12/420, 223, 416;  
24/16 PB; 361/826  
CPC .. B60R 7/043; B60R 7/14; B60R 7/08; A47C  
7/52  
See application file for complete search history.

10,471,899	B2 *	11/2019	Ackeret	.....	B60R 7/08
D878,909	S *	3/2020	Krake	.....	D8/367
D885,873	S *	6/2020	Deng	.....	D8/367
D899,234	S	10/2020	Chen		
D928,593	S *	8/2021	Altamura	.....	D8/356
D941,746	S *	1/2022	Huang	.....	D12/416
2011/0101055	A1 *	5/2011	O'Neill	.....	B60R 7/043 224/275
2013/0221712	A1 *	8/2013	Sanchez	.....	B60N 2/838 297/188.03

\* cited by examiner

*Primary Examiner* — Cynthia R Underwood  
(74) *Attorney, Agent, or Firm* — Zhihua Han

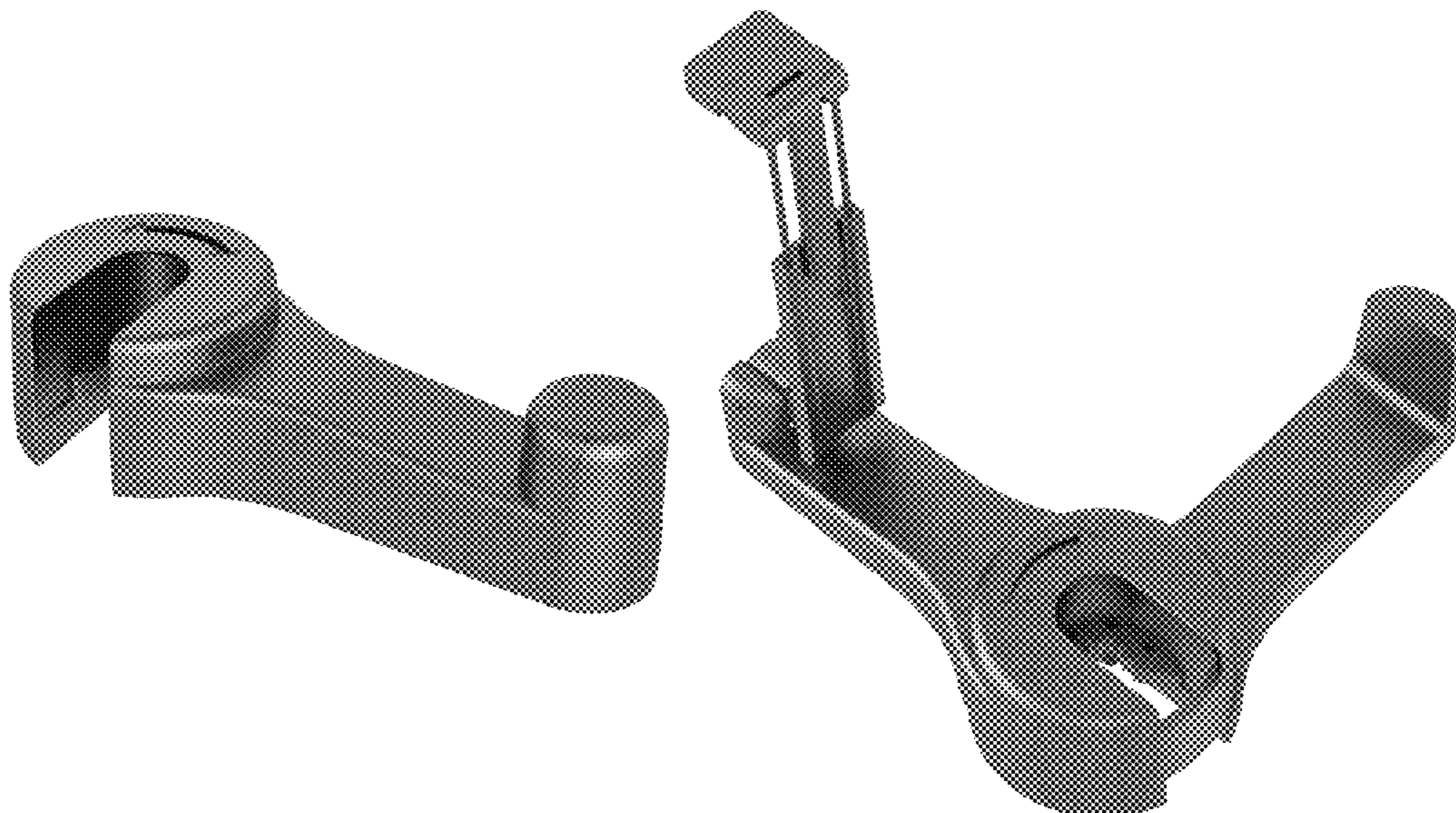
(57) **CLAIM**

The ornamental design for a car seat headrest hook, as shown and described.

**DESCRIPTION**

FIG. 1 is a front elevation view of a car seat headrest hook, showing my new design;  
 FIG. 2 is a rear elevation view thereof;  
 FIG. 3 is a left side elevation view thereof;  
 FIG. 4 is a right side elevation view thereof;  
 FIG. 5 is a top plan view thereof;  
 FIG. 6 is a bottom plan view thereof;  
 FIG. 7 is a front, left, bottom perspective view thereof;  
 FIG. 8 is a front, top perspective view thereof, shown in an alternative configuration for completeness of illustration;  
 FIG. 9 is a right, bottom perspective view thereof, shown in the alternative configuration for completeness of illustration;  
 FIG. 10 is a front, right, bottom perspective view thereof, shown in a second alternative configuration for completeness of illustration; and,  
 FIG. 11 is a front, right, top perspective view thereof, shown in the second alternative configuration for completeness of illustration.

**1 Claim, 11 Drawing Sheets**





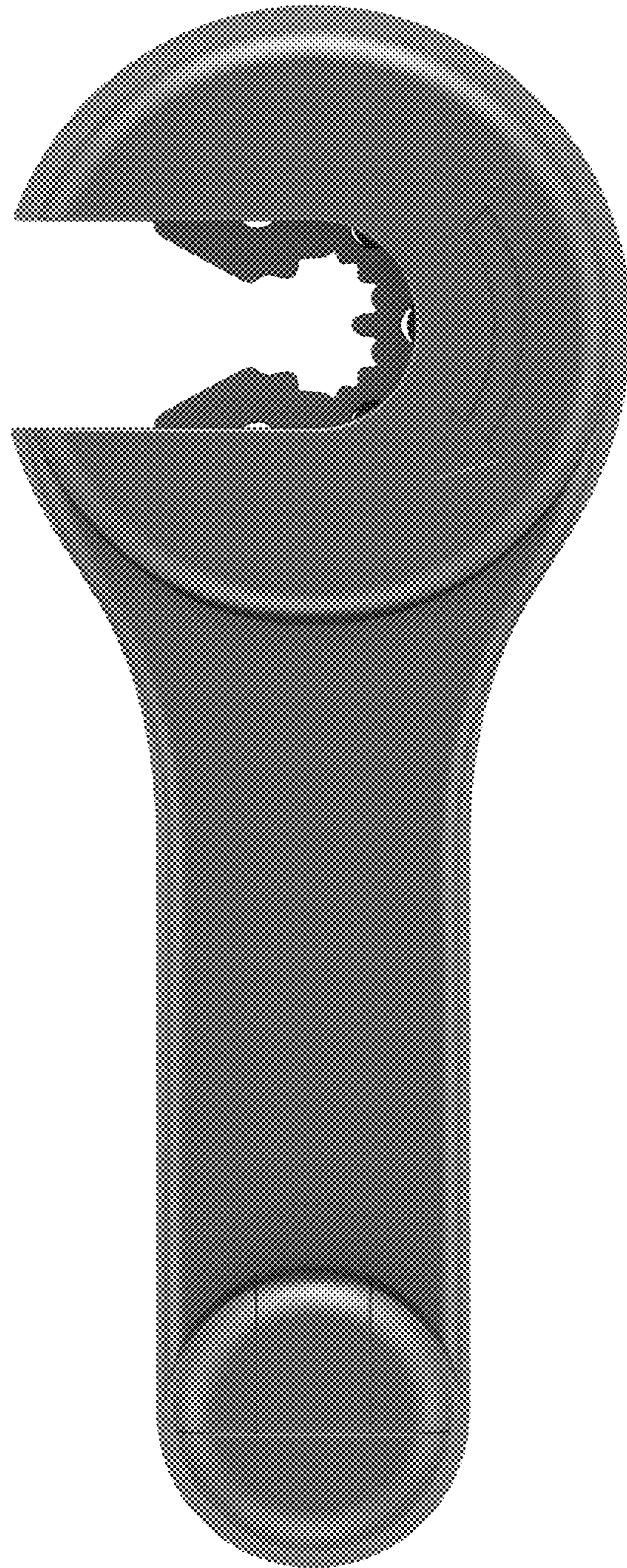


FIG. 1



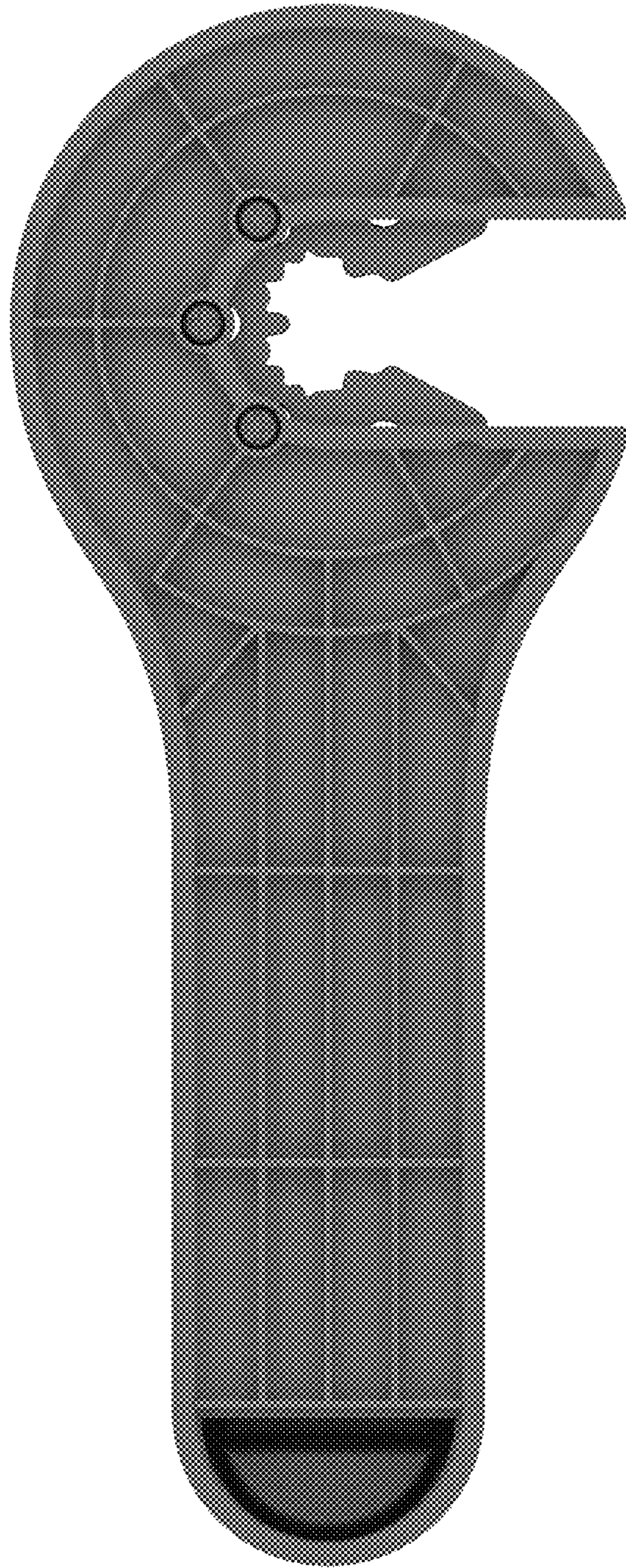


FIG. 2

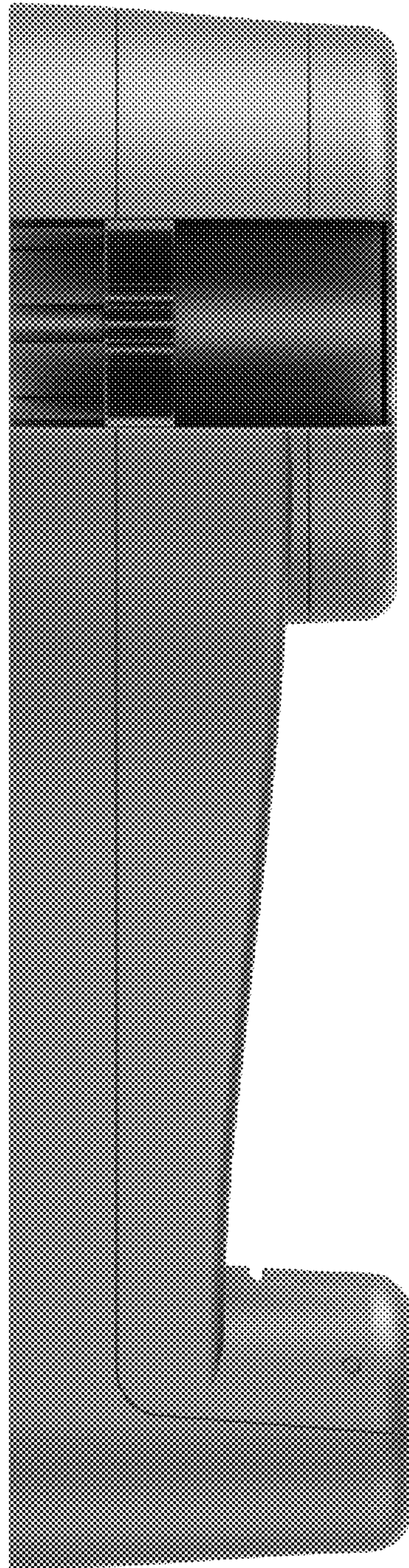


FIG. 3



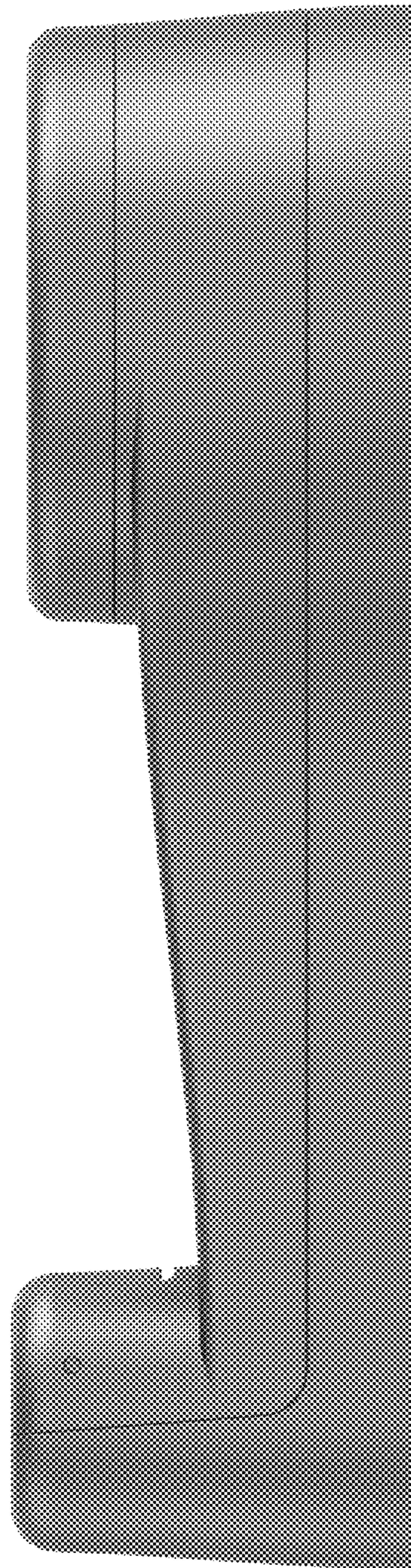


FIG. 4

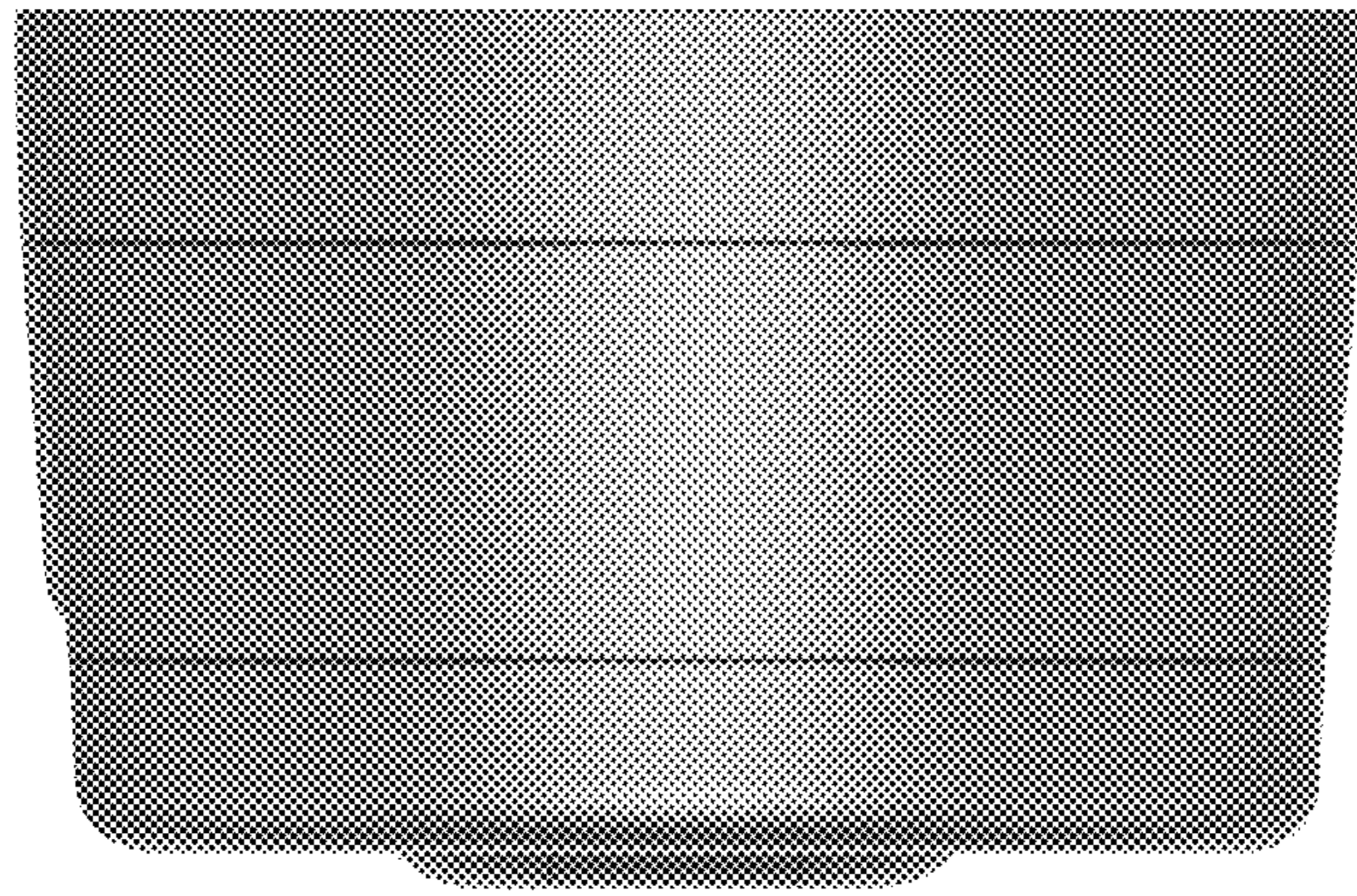


FIG. 5

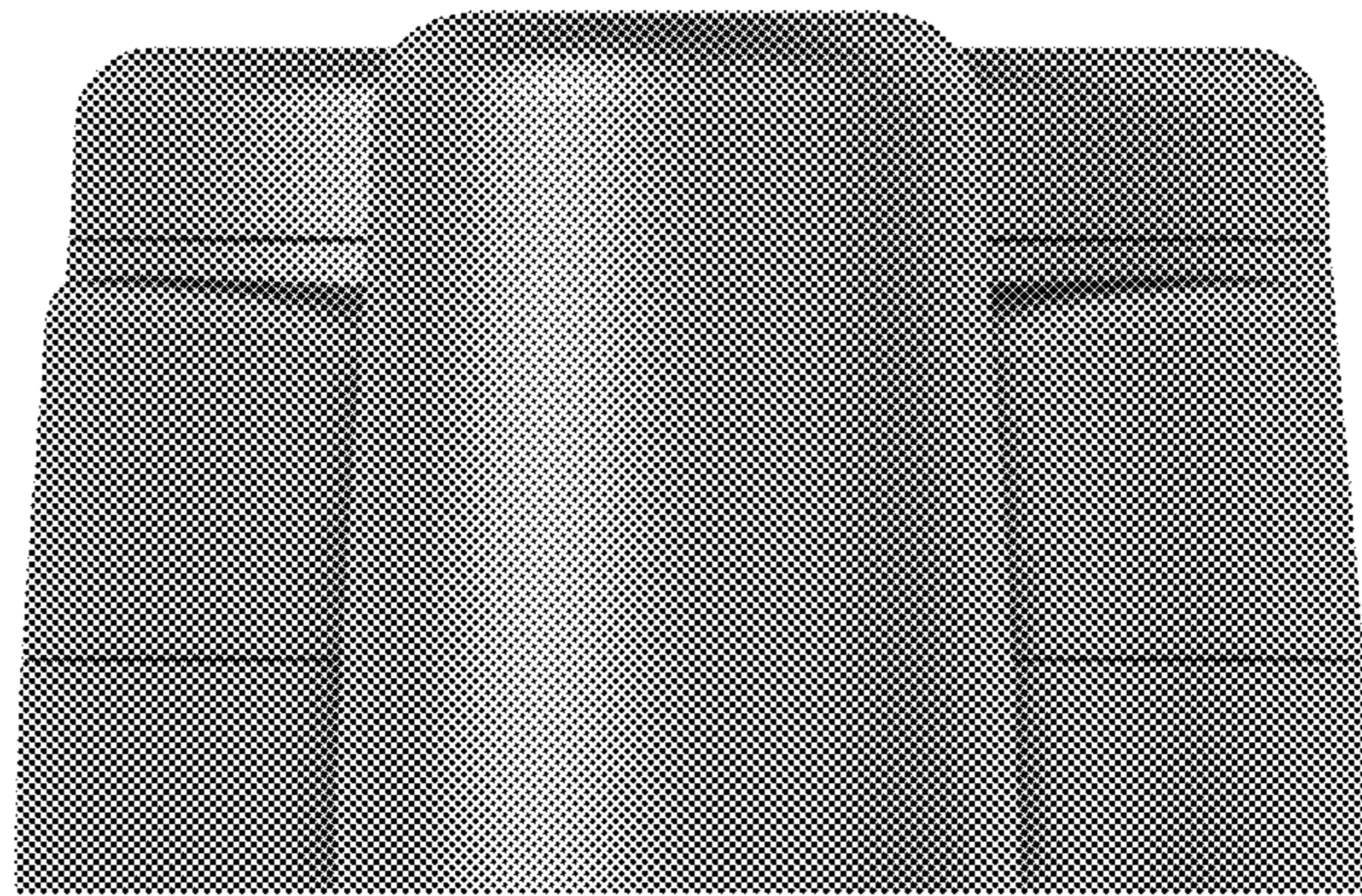


FIG. 6



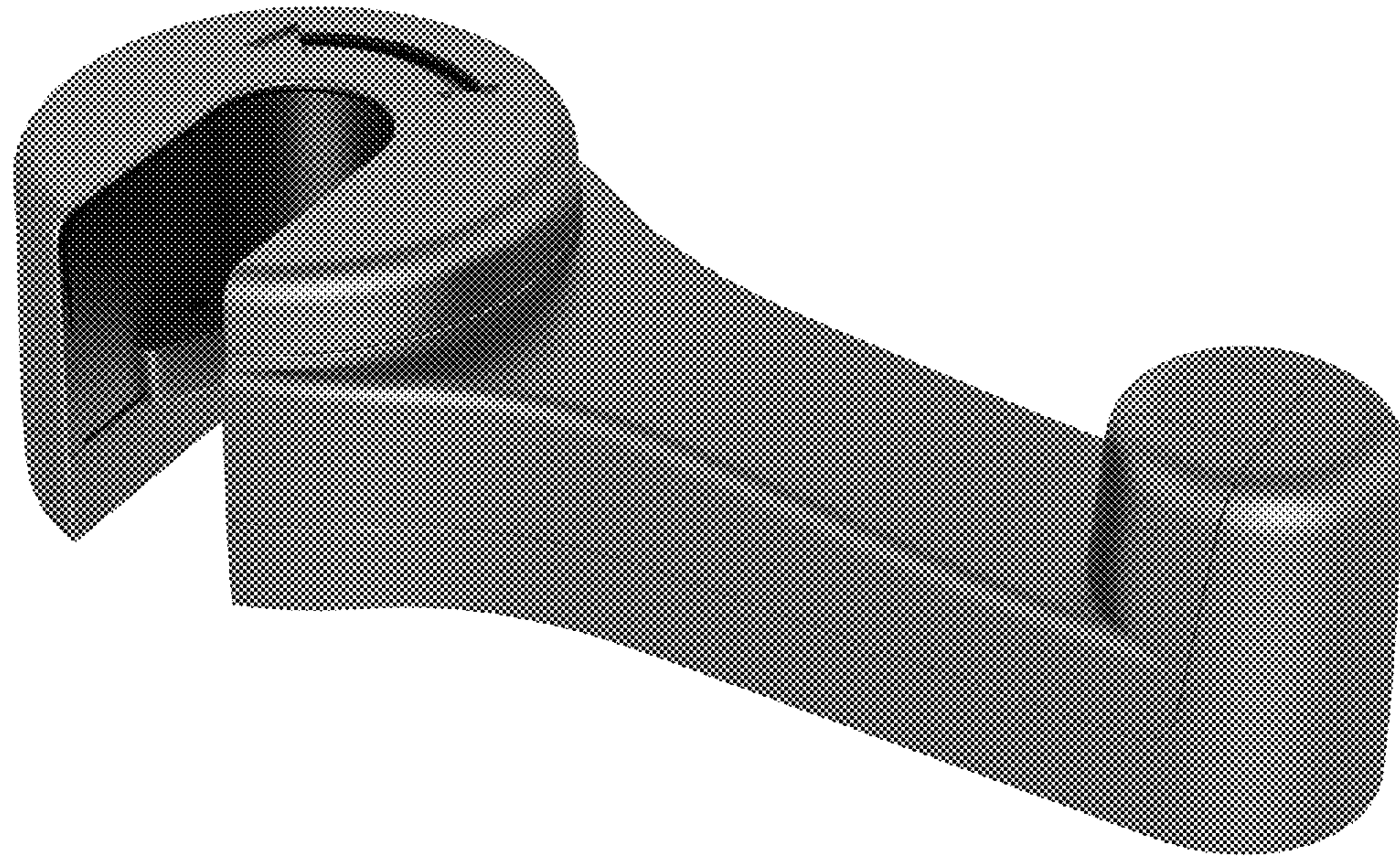


FIG. 7



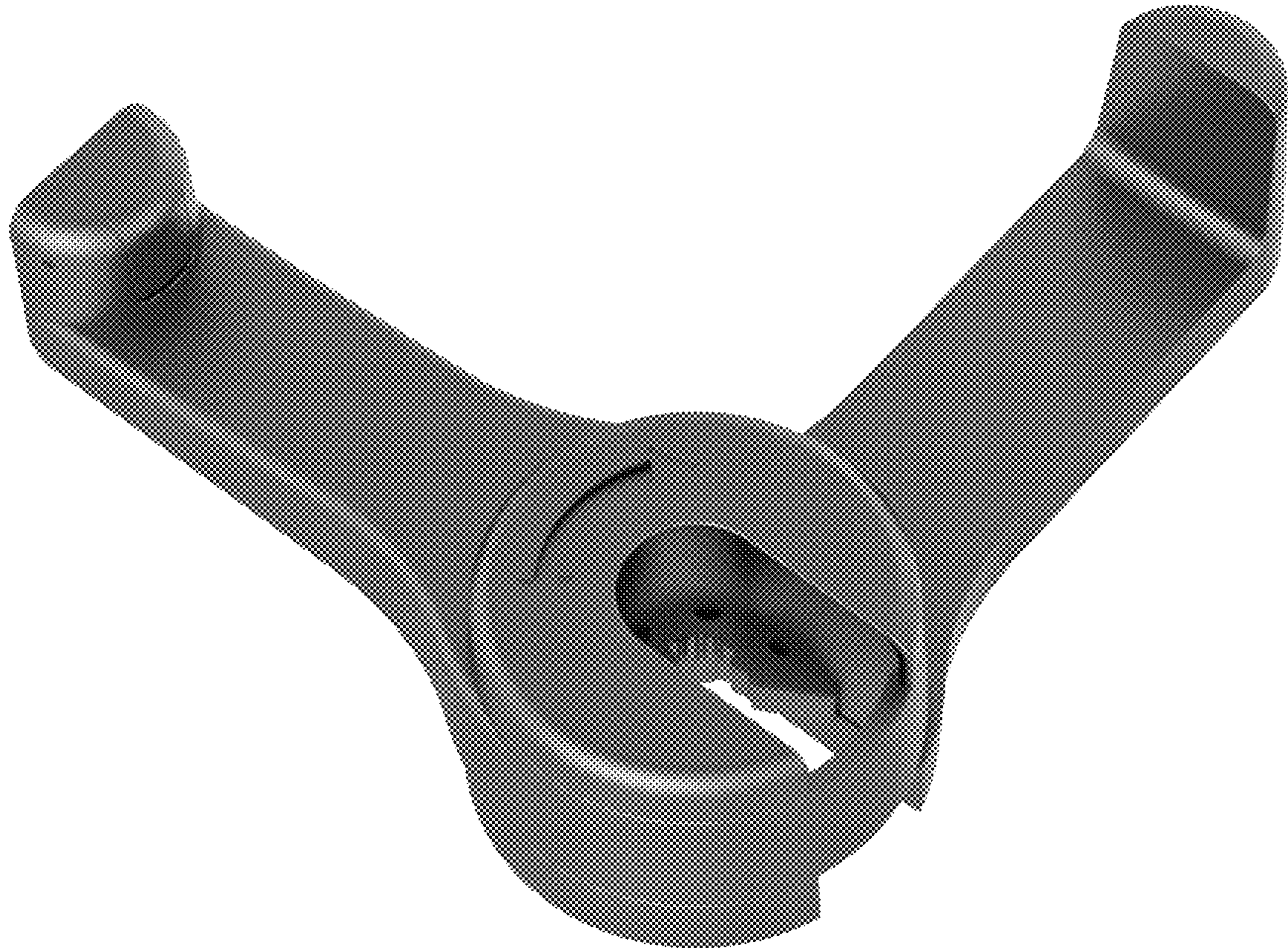


FIG. 8



FIG. 9



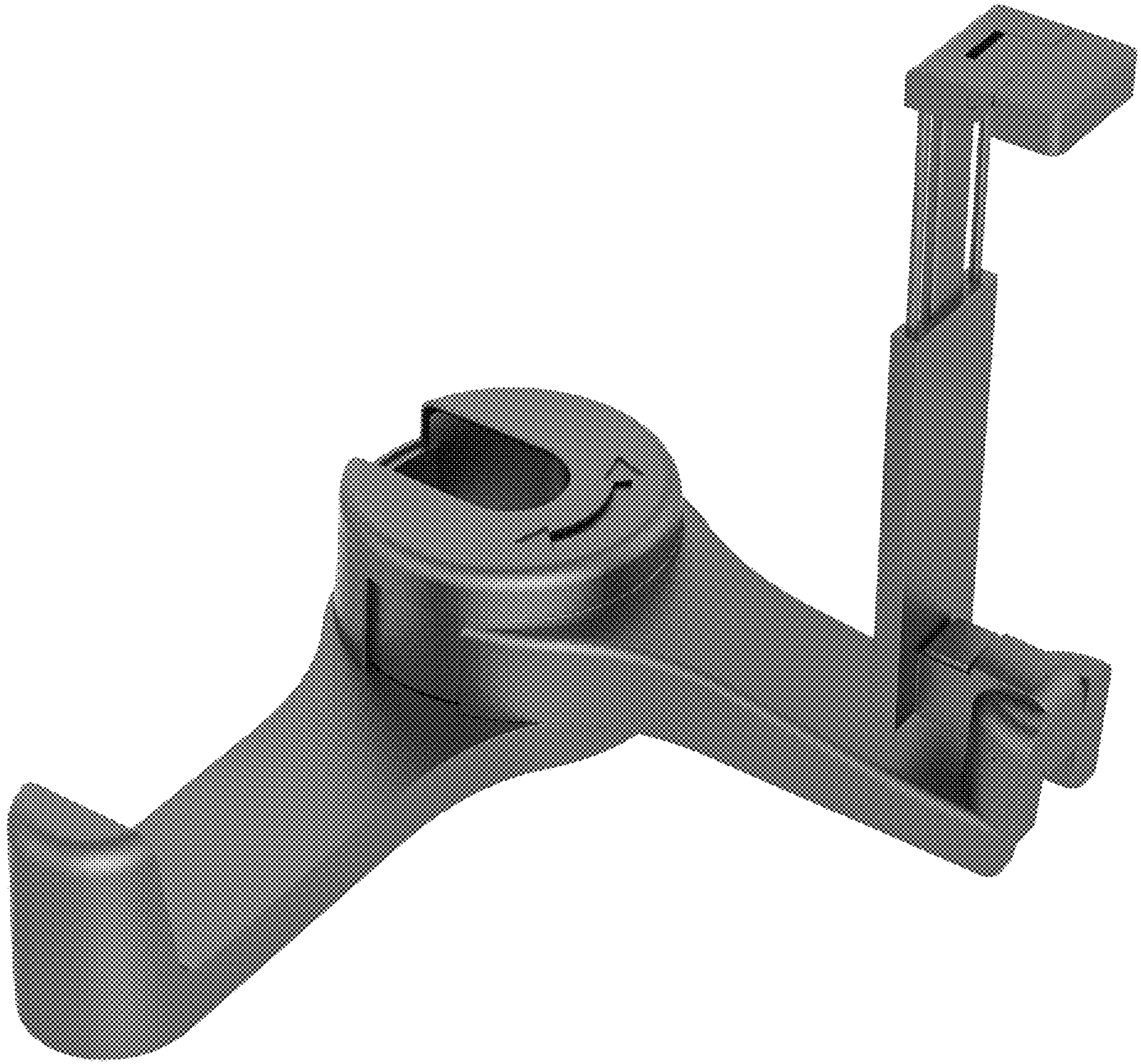


FIG. 10



FIG. 11