



US00D948316S

(12) **United States Design Patent**
Livingston, Jr.

(10) **Patent No.:** **US D948,316 S**
(45) **Date of Patent:** **** Apr. 12, 2022**

(54) **CHANNEL PUCK FOR USE IN A RAILED TABLE**

(71) Applicant: **Omni Cubed, Inc.**, Shingle Springs, CA (US)

(72) Inventor: **Larry Leigh Livingston, Jr.**, Cameron Park, CA (US)

(73) Assignee: **Omni Cubed, Inc.**, Shingle Springs, CA (US)

(**) Term: **15 Years**

(21) Appl. No.: **29/744,474**

(22) Filed: **Jul. 29, 2020**

Related U.S. Application Data

(63) Continuation of application No. 16/939,001, filed on Jul. 26, 2020, now abandoned.

(51) **LOC (13) Cl.** **08-05**

(52) **U.S. Cl.**
USPC **D8/354; D8/382**

(58) **Field of Classification Search**
USPC D8/382, 393, 394, 402, 403, 384; D6/300, 707
CPC A47G 1/10; F16B 12/24; A47B 2230/0062
See application file for complete search history.

(56) **References Cited**

U.S. PATENT DOCUMENTS

- D309,985 S * 8/1990 Cox D6/300
- 5,090,835 A * 2/1992 Cox F16B 12/24
403/294
- D377,601 S * 1/1997 Kozyrski D6/300
- D384,271 S * 9/1997 Kozyrski D6/300
- 8,147,162 B1 * 4/2012 Burnett F16B 5/0052
403/292
- 9,810,253 B2 * 11/2017 Koelling F16B 12/24

- 10,197,081 B2 * 2/2019 Koelling A47B 47/025
- D883,778 S * 5/2020 Koelling A47B 47/025
D8/402
- D883,779 S * 5/2020 Koelling A47B 47/025
D8/402
- 10,711,942 B2 * 7/2020 Dang F16M 13/025
- 11,089,868 B1 * 8/2021 Livingston, Jr. B25H 1/10
- 2003/0026651 A1 * 2/2003 Ley E06B 3/96
403/401
- 2011/0085853 A1 * 4/2011 Liu F16B 12/22
403/381
- 2012/0321378 A1 * 12/2012 Velez, Jr. F16B 12/46
403/300

(Continued)

Primary Examiner — Keli L Hill

Assistant Examiner — Harold E Blackwell, II

(74) *Attorney, Agent, or Firm* — Manuel de la Cerra

(57) **CLAIM**

The ornamental design for a channel puck for use in a railed table, as shown and described.

DESCRIPTION

FIG. 1 is a top perspective view of a channel puck for use in a railed table.

FIG. 2 is a bottom perspective view thereof.

FIG. 3 is a top perspective view thereof shown inserted into a railed table.

FIG. 4 is a front view thereof.

FIG. 5 is a left-side view thereof (right-side view being a mirror image thereof).

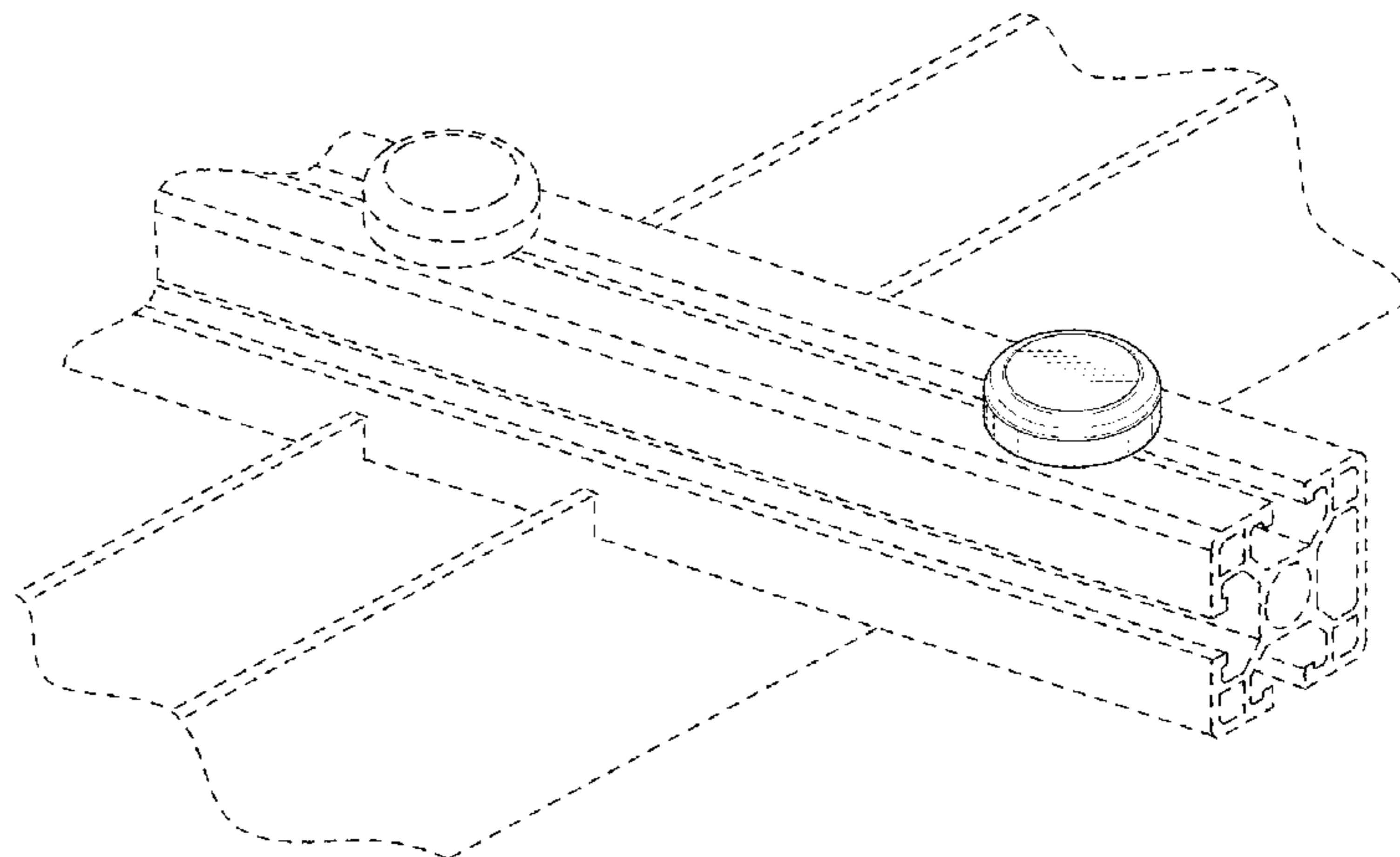
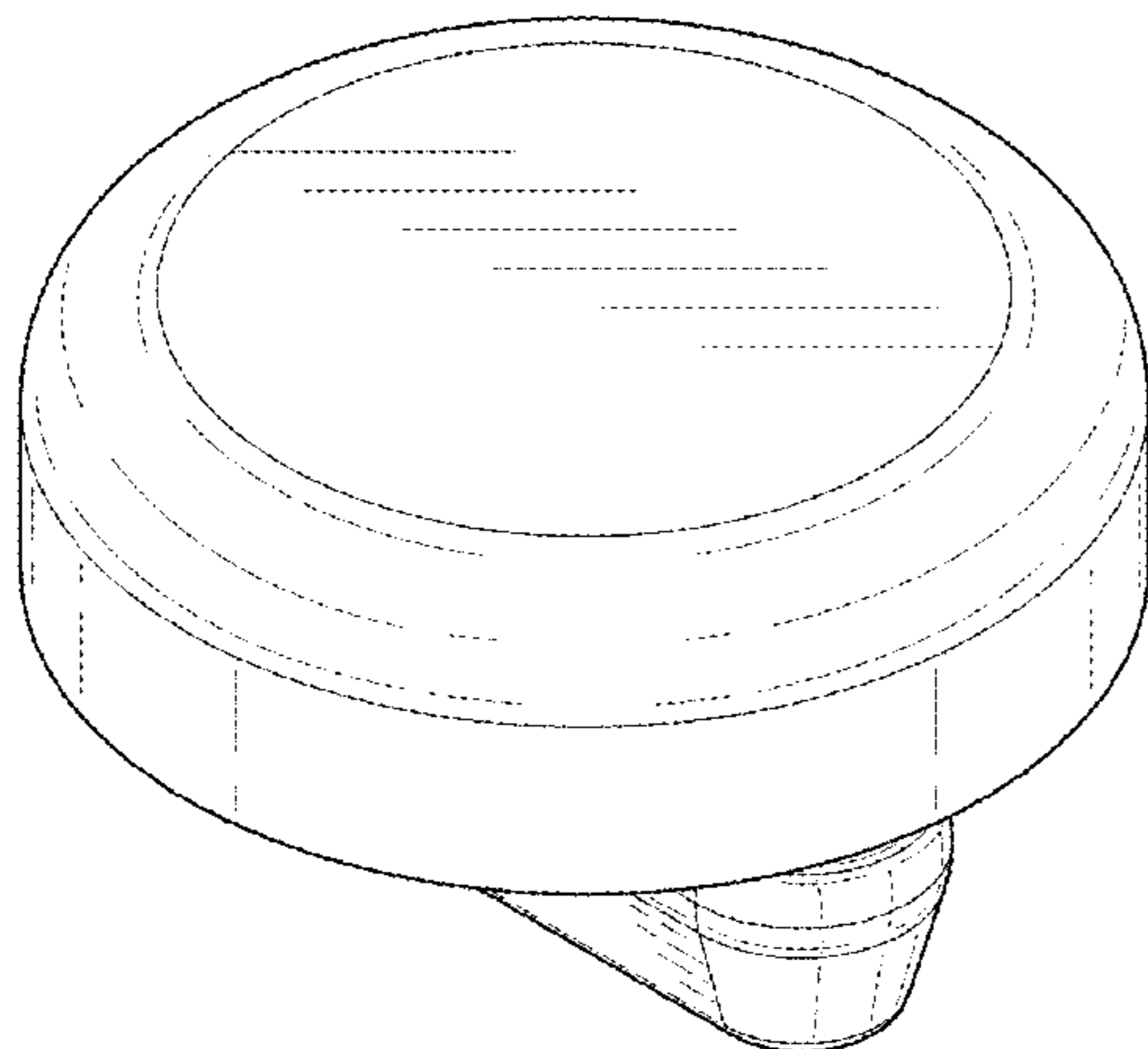
FIG. 6 is a top view thereof.

FIG. 7 is a bottom view thereof; and,

FIG. 8 is a front view thereof shown inserted into a railed table.

The broken line showing of parts of the drawings in FIGS. 3 and 8 are included for the purpose of illustrating use and environment, and forms no part of the claimed design.

1 Claim, 6 Drawing Sheets



(56)

References Cited

U.S. PATENT DOCUMENTS

2013/0239509 A1* 9/2013 Wang F16B 12/125
52/704
2013/0287484 A1* 10/2013 Phillips A47B 47/0025
403/298
2017/0023041 A1* 1/2017 Koelling F16B 12/22
2017/0023043 A1* 1/2017 Koelling F16B 12/22

* cited by examiner

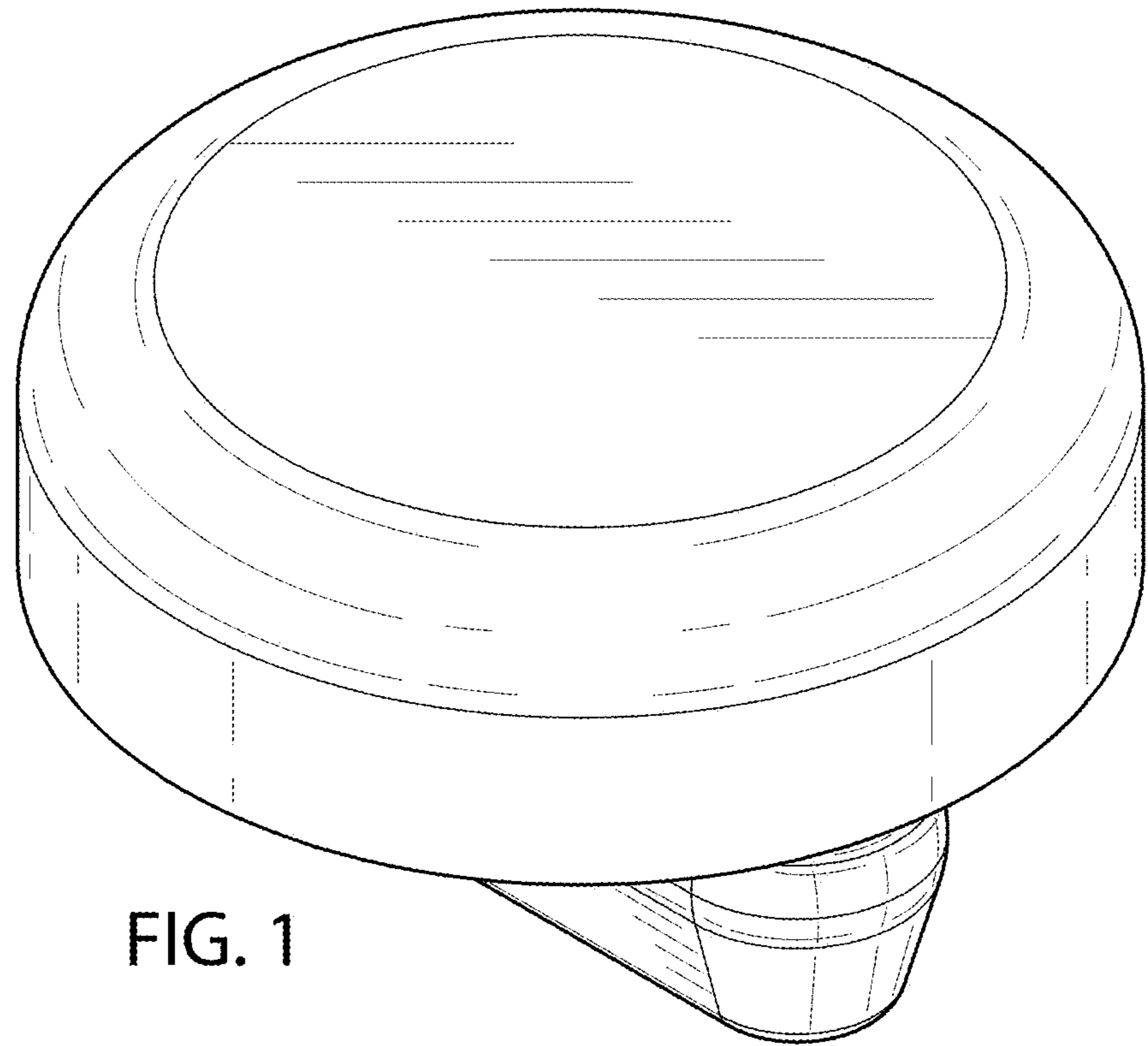


FIG. 1

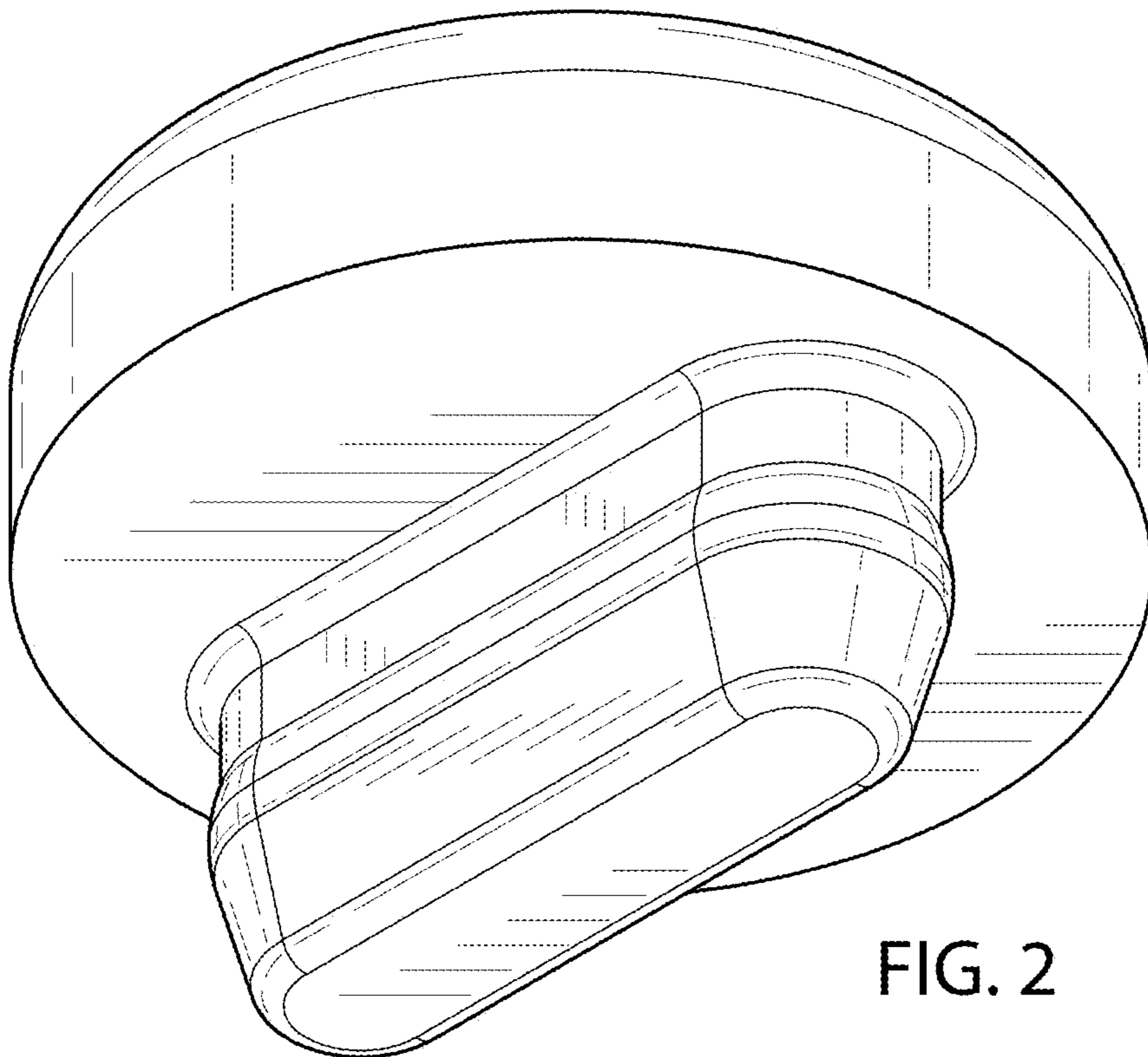


FIG. 2

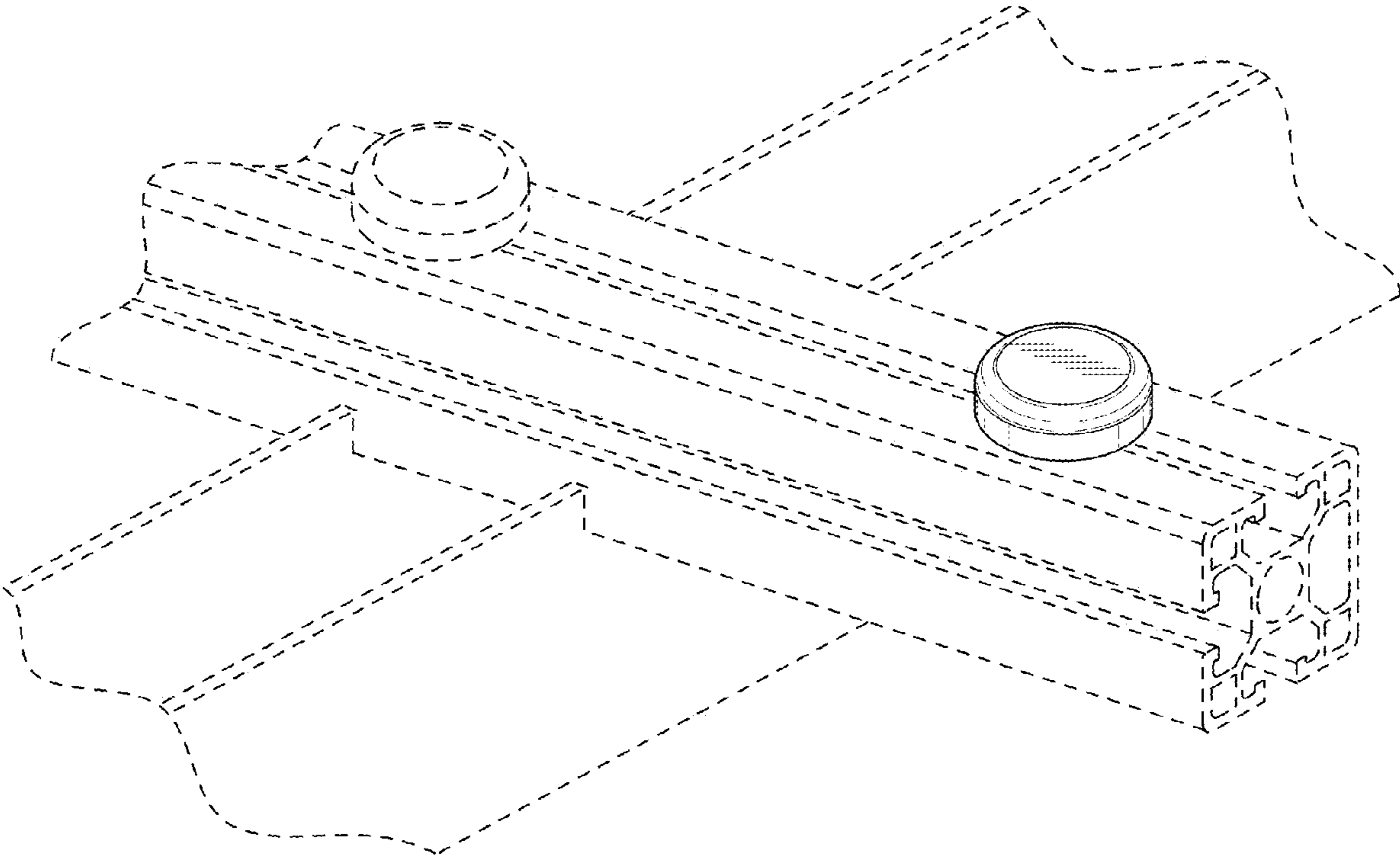


FIG. 3

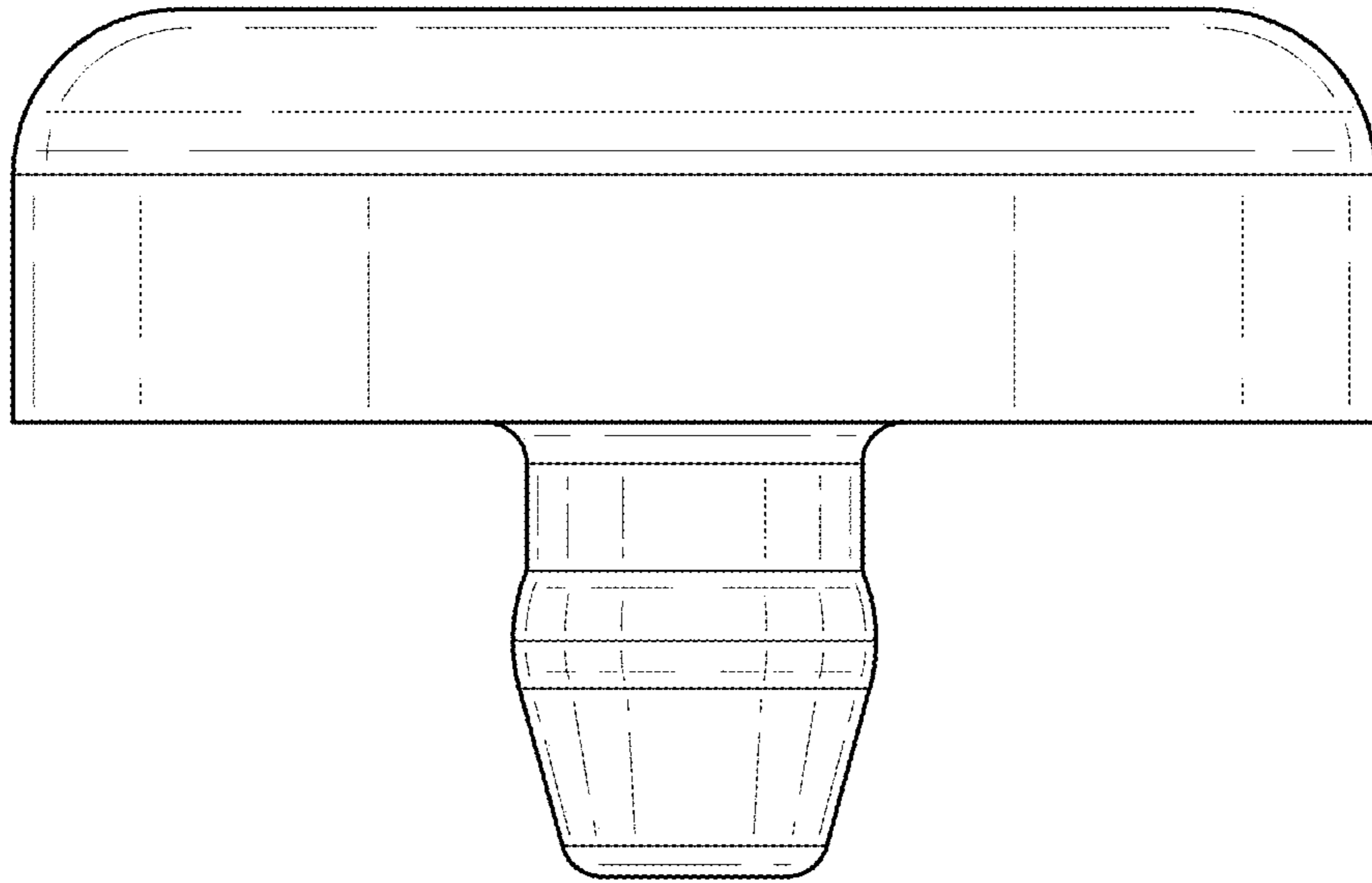


FIG. 4

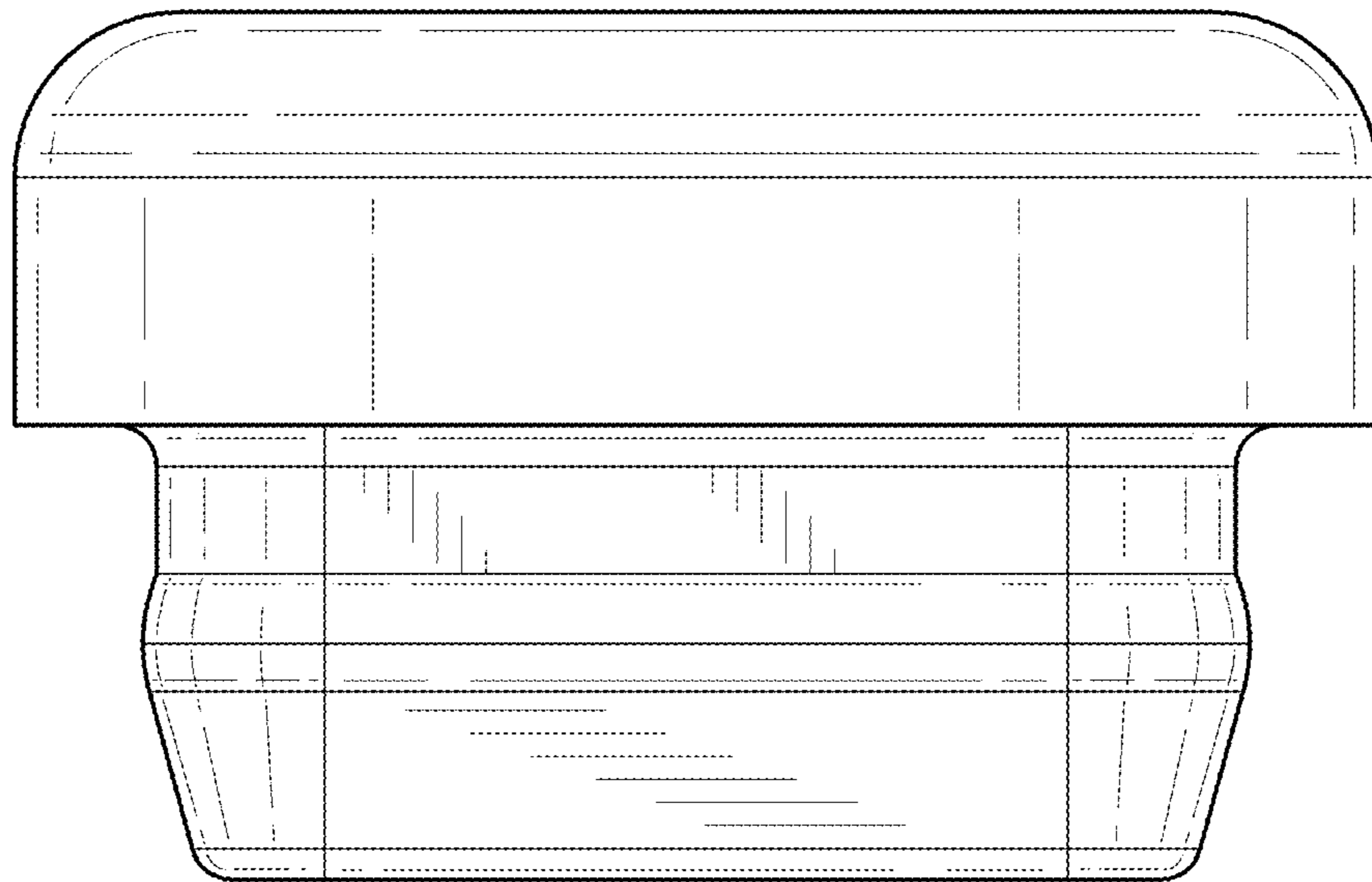


FIG. 5

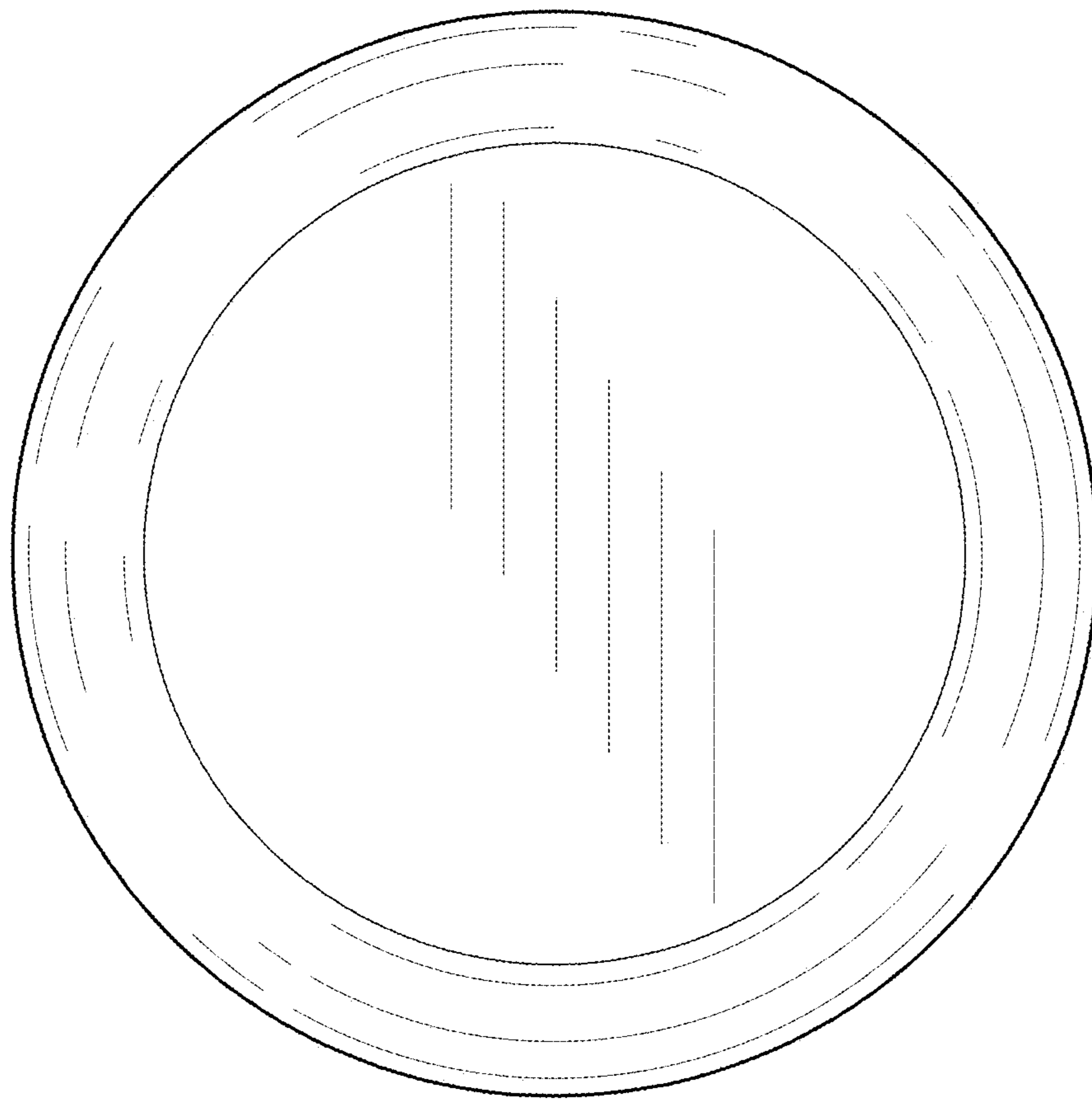


FIG. 6

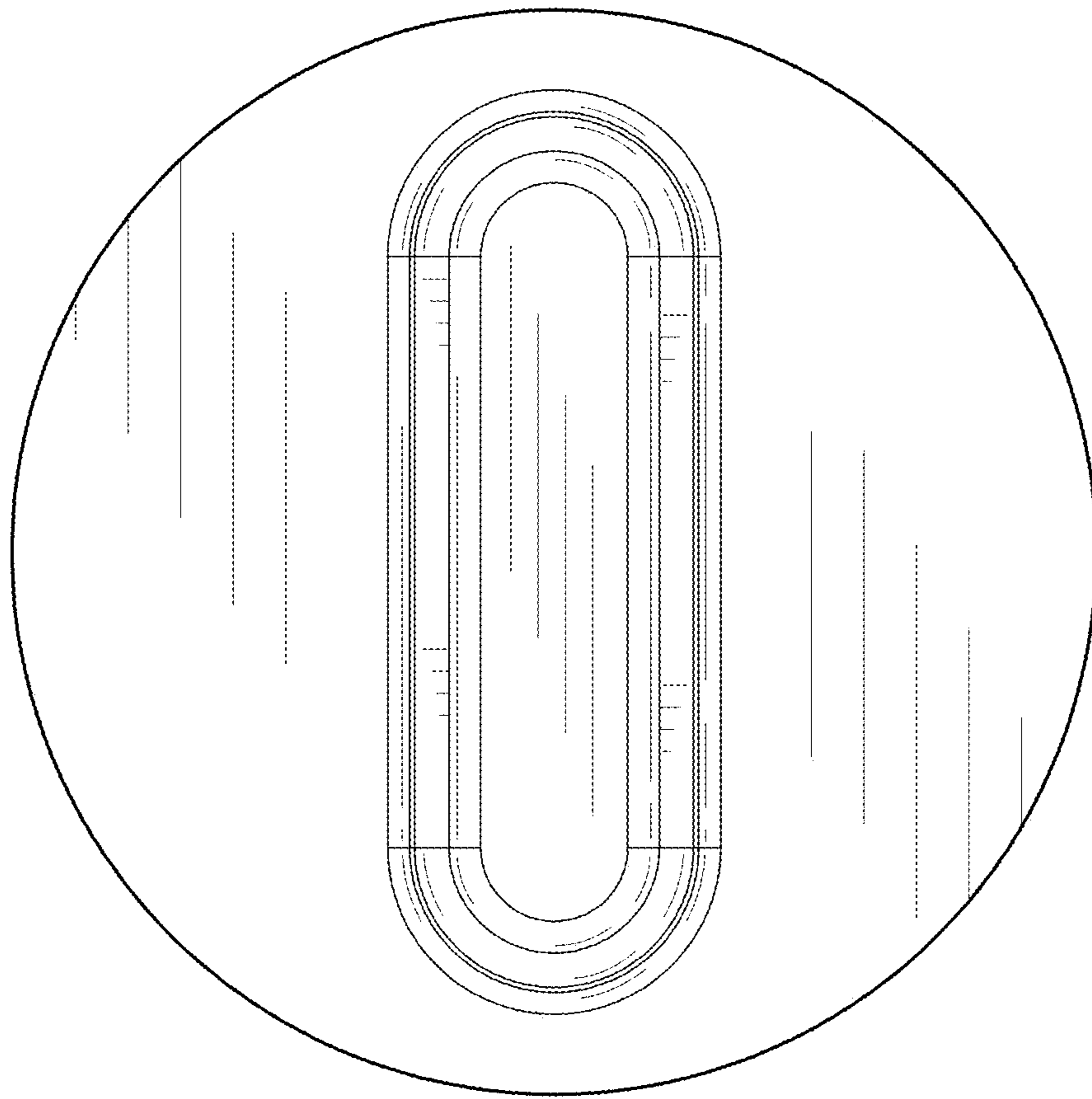


FIG. 7

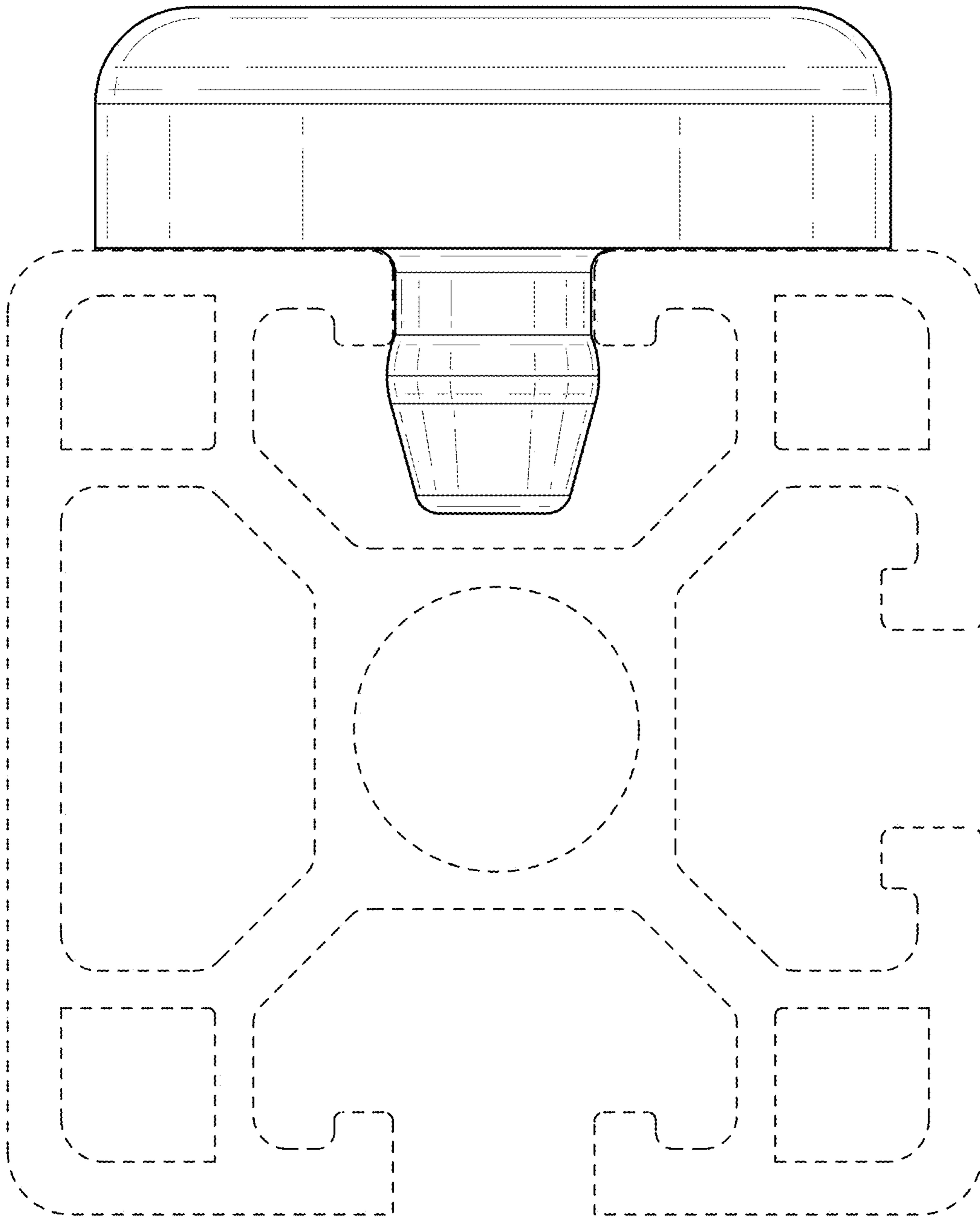


FIG. 8