



US00D948315S

(12) **United States Design Patent** (10) **Patent No.:** **US D948,315 S**  
**Pavlov** (45) **Date of Patent:** **\*\* Apr. 12, 2022**

(54) **SLOTTED PIVOT BRACKET FOR A GAMING CHAIR ASSEMBLY**

(71) Applicant: **Home Racer LLC**, Boynton Beach, FL (US)

(72) Inventor: **Dimitar Maldenov Pavlov**, Boynton Beach, FL (US)

(73) Assignee: **HOME RACER LLC**, Boynton Beach, FL (US)

(\*\*) Term: **15 Years**

(21) Appl. No.: **29/708,079**

(22) Filed: **Oct. 2, 2019**

(51) **LOC (13) Cl.** ..... **08-05**

(52) **U.S. Cl.**  
USPC ..... **D8/354**

(58) **Field of Classification Search**  
USPC ..... D8/387, 354, 358, 356, 363–366, 371, D8/374, 382; D14/238; D6/716, 716.7  
CPC ..... F16M 11/045; F16M 11/048; F16M 13/00  
See application file for complete search history.

(56) **References Cited**

U.S. PATENT DOCUMENTS

3,726,551	A *	4/1973	Levenberg	.....	A47B 47/00 403/172
4,570,406	A *	2/1986	DiFazio	.....	E04C 2/384 160/381
D296,075	S *	6/1988	Jones	.....	D15/7
5,605,410	A *	2/1997	Pantev	.....	F16B 7/0486 403/174
D409,079	S *	5/1999	Sobczynski	.....	D8/354
D569,232	S *	5/2008	Yoshida	.....	D8/355
D666,743	S *	9/2012	Teffenhart, Jr.	.....	D25/124
9,360,156	B2 *	6/2016	Shirley	.....	F16M 13/02
D787,094	S *	5/2017	Britton	.....	D25/126
D823,666	S *	7/2018	Macdonald	.....	D8/349

D823,670	S *	7/2018	Macdonald	.....	D8/349
D839,075	S *	1/2019	Macdonald	.....	D8/349
D839,080	S *	1/2019	Iellimo	.....	D8/354
D841,505	S *	2/2019	Machijima	.....	D10/103
D856,781	S *	8/2019	Hendry	.....	D8/354
D866,298	S *	11/2019	Kanter	.....	D8/354
D879,326	S *	3/2020	Hendry	.....	D25/61
D886,201	S *	6/2020	Kanter	.....	D21/333
D886,655	S *	6/2020	Machijima	.....	D10/103
D887,297	S *	6/2020	Machijima	.....	D10/103

(Continued)

*Primary Examiner* — Richard Kearney

*Assistant Examiner* — Benjamin M Weeks

(74) *Attorney, Agent, or Firm* — Mark C. Johnson; Johnson Dalal

(57) **CLAIM**

The ornamental design for a slotted pivot bracket for a gaming chair assembly, as shown and described.

**DESCRIPTION**

FIG. 1 is a perspective view of a slotted pivot bracket for a gaming chair assembly in accordance with the present invention;

FIG. 2 is an elevational left-side view of the slotted pivot bracket for a gaming chair assembly in FIG. 1;

FIG. 3 is an elevational right-side view of the slotted pivot bracket for a gaming chair assembly in FIG. 1;

FIG. 4 is an elevational front view of the slotted pivot bracket for a gaming chair assembly in FIG. 1;

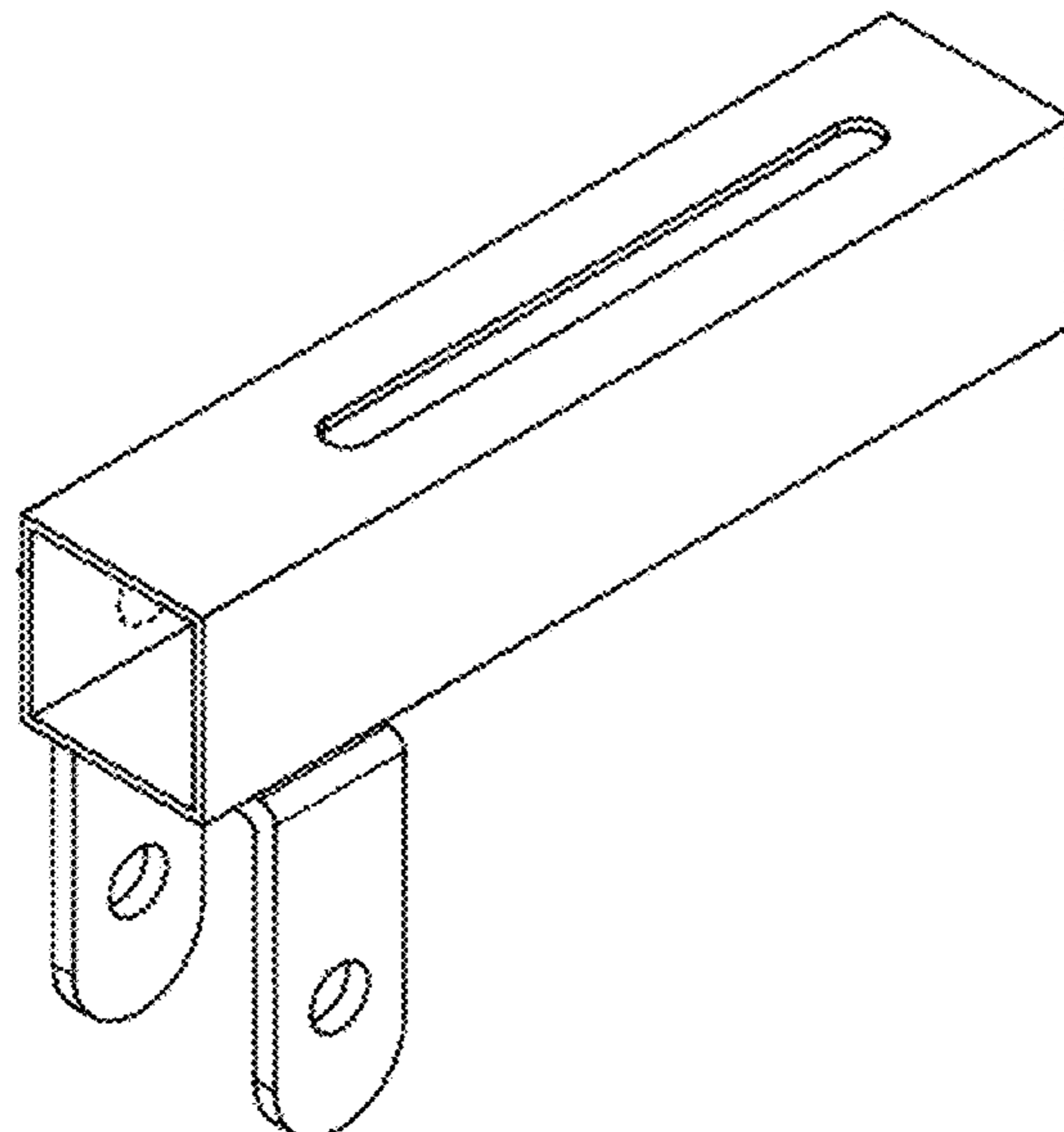
FIG. 5 is an elevational rear view of the slotted pivot bracket for a gaming chair assembly in FIG. 1;

FIG. 6 is a top plan view of the slotted pivot bracket for a gaming chair assembly in FIG. 1; and,

FIG. 7 is a bottom plan view of the slotted pivot bracket for a gaming chair assembly in FIG. 1.

The broken lines shown in the drawings illustrate portions of the slotted pivot bracket for a gaming chair assembly and form no part of the claimed design.

**1 Claim, 7 Drawing Sheets**



(56)

**References Cited**

U.S. PATENT DOCUMENTS

2007/0266671 A1\* 11/2007 Chromy ..... E04C 3/06  
52/844  
2016/0138261 A1\* 5/2016 Zhang ..... E04C 3/09  
52/831  
2017/0321446 A1\* 11/2017 Antinolfi ..... E04H 12/2292

\* cited by examiner

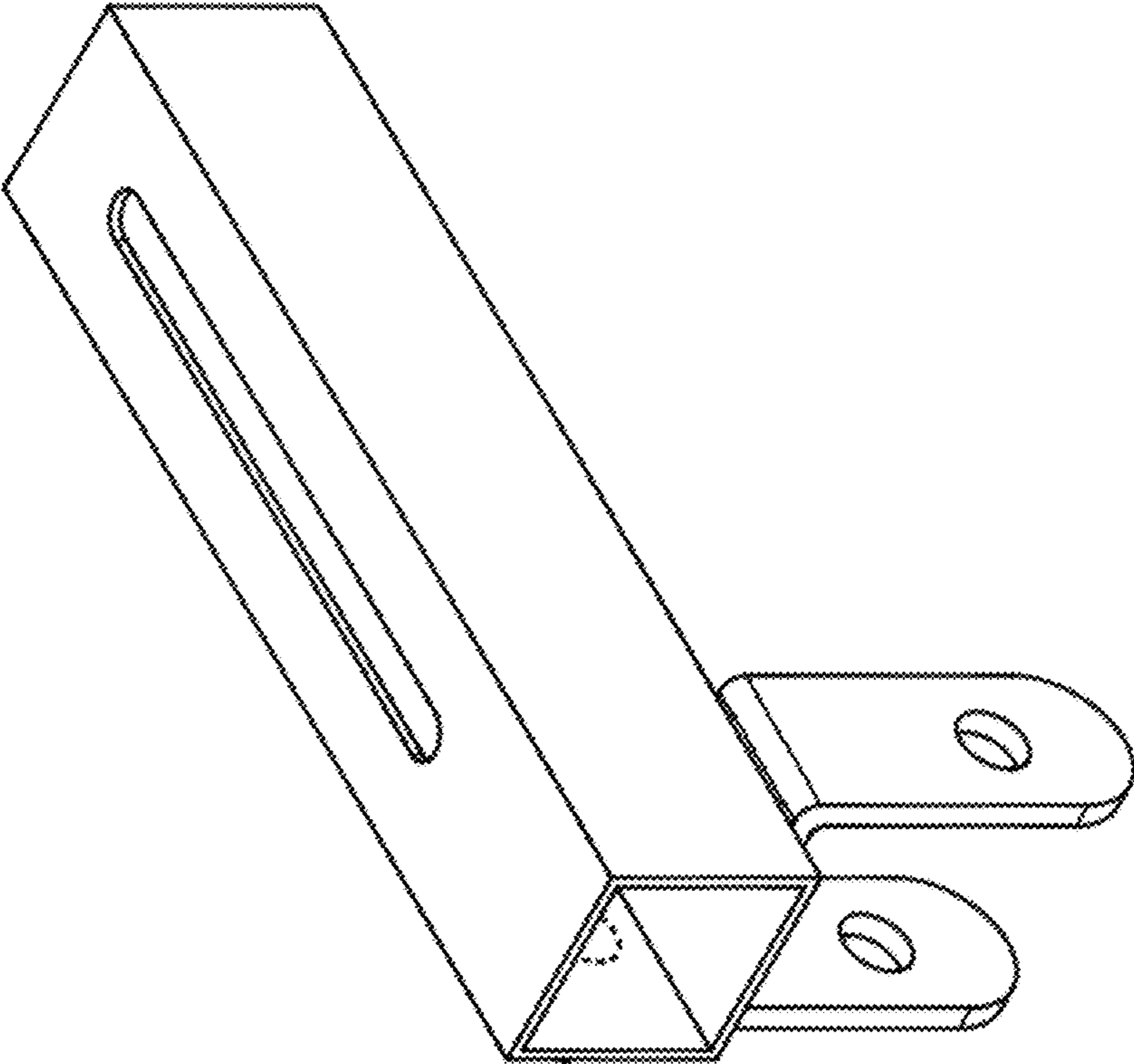


FIG. 1

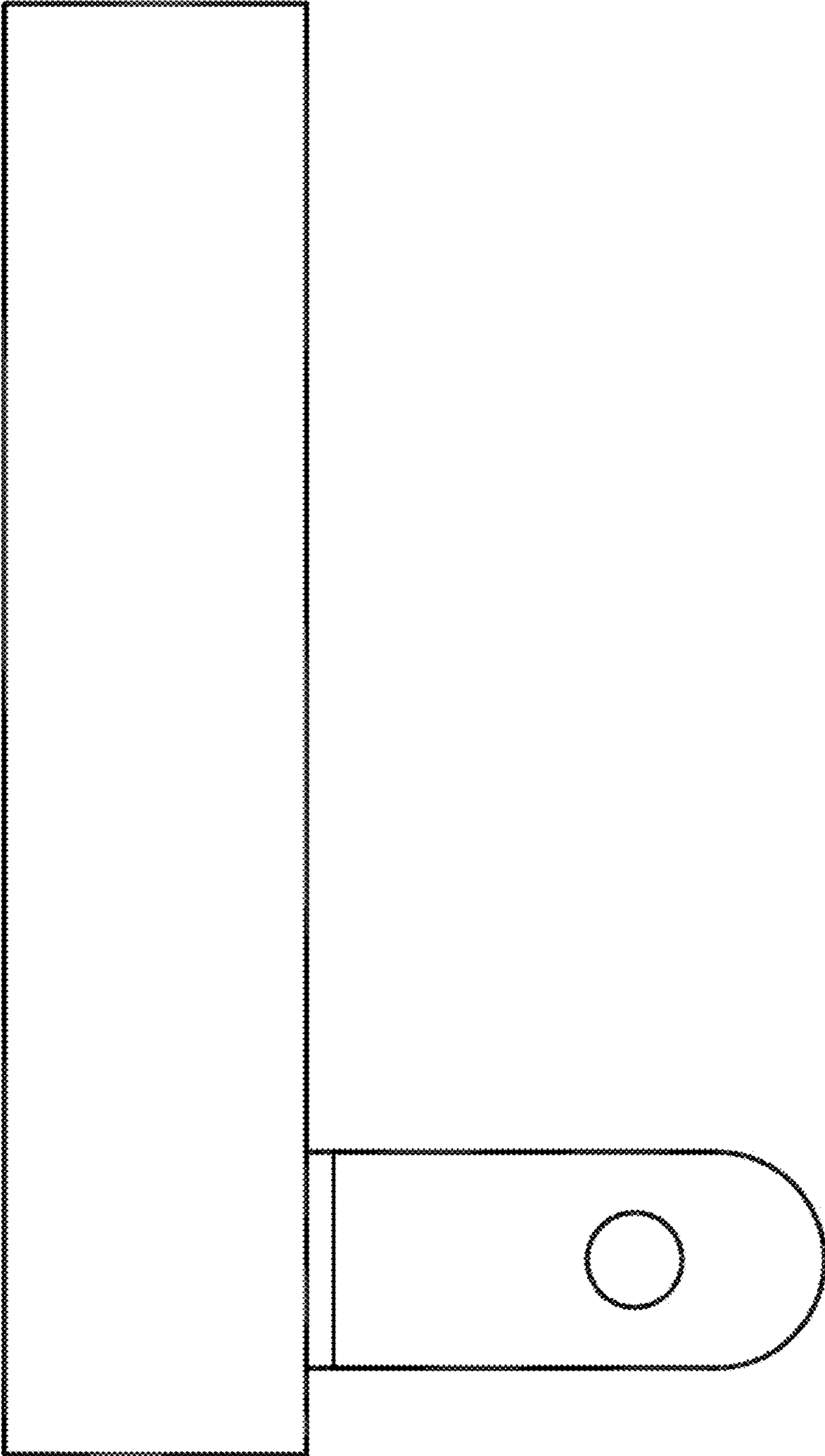


FIG. 2

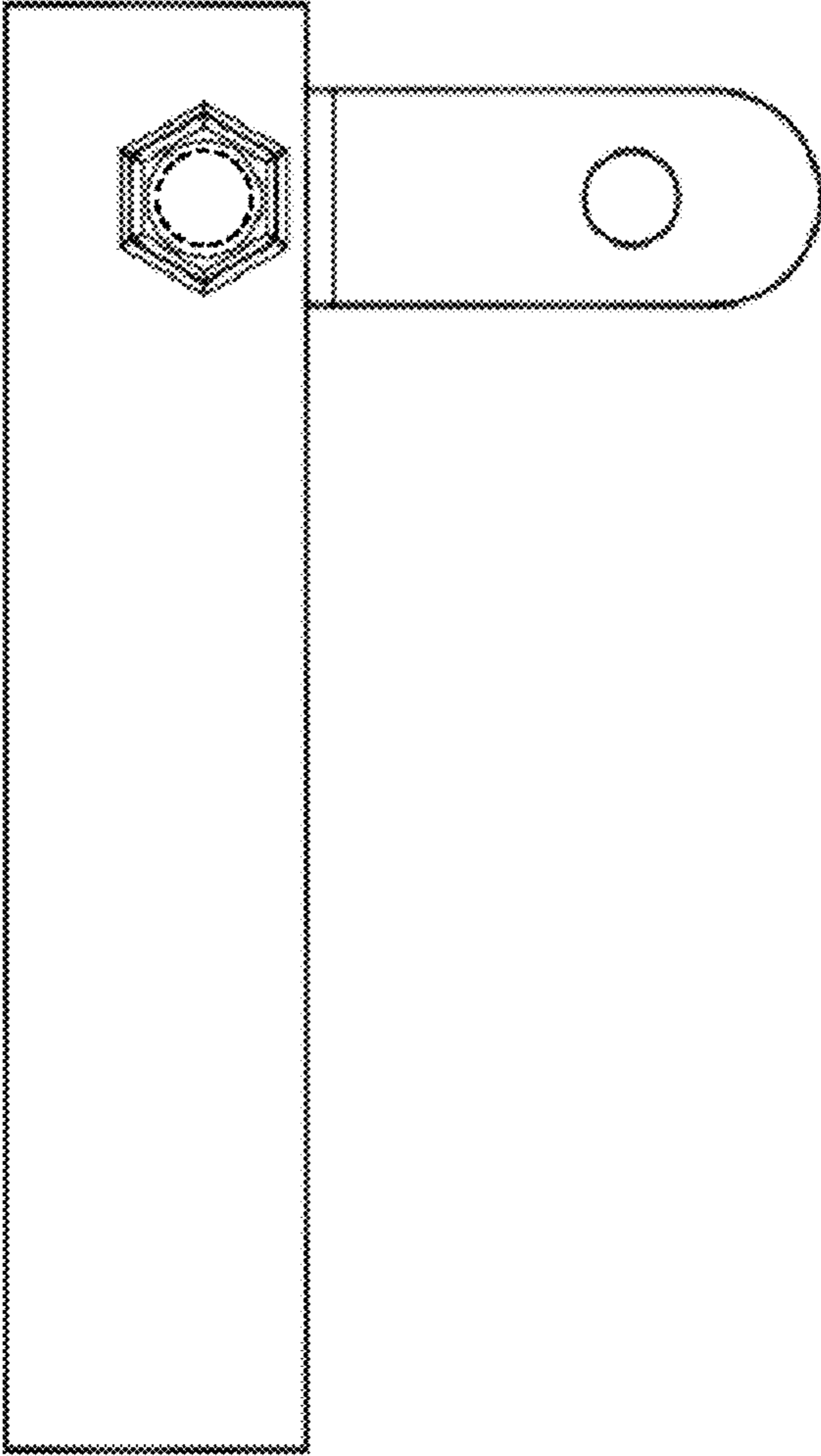


FIG. 3

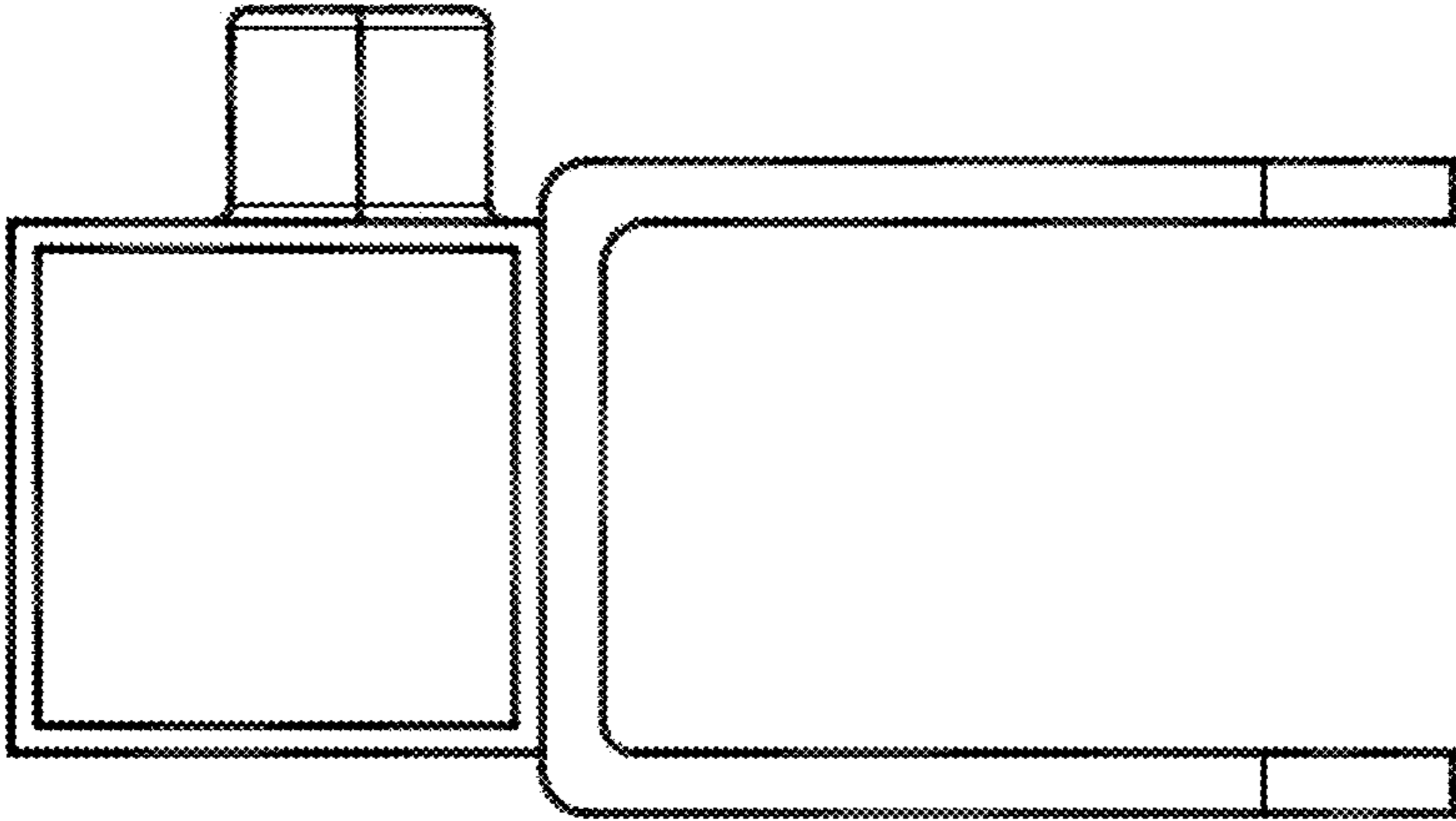


FIG. 4

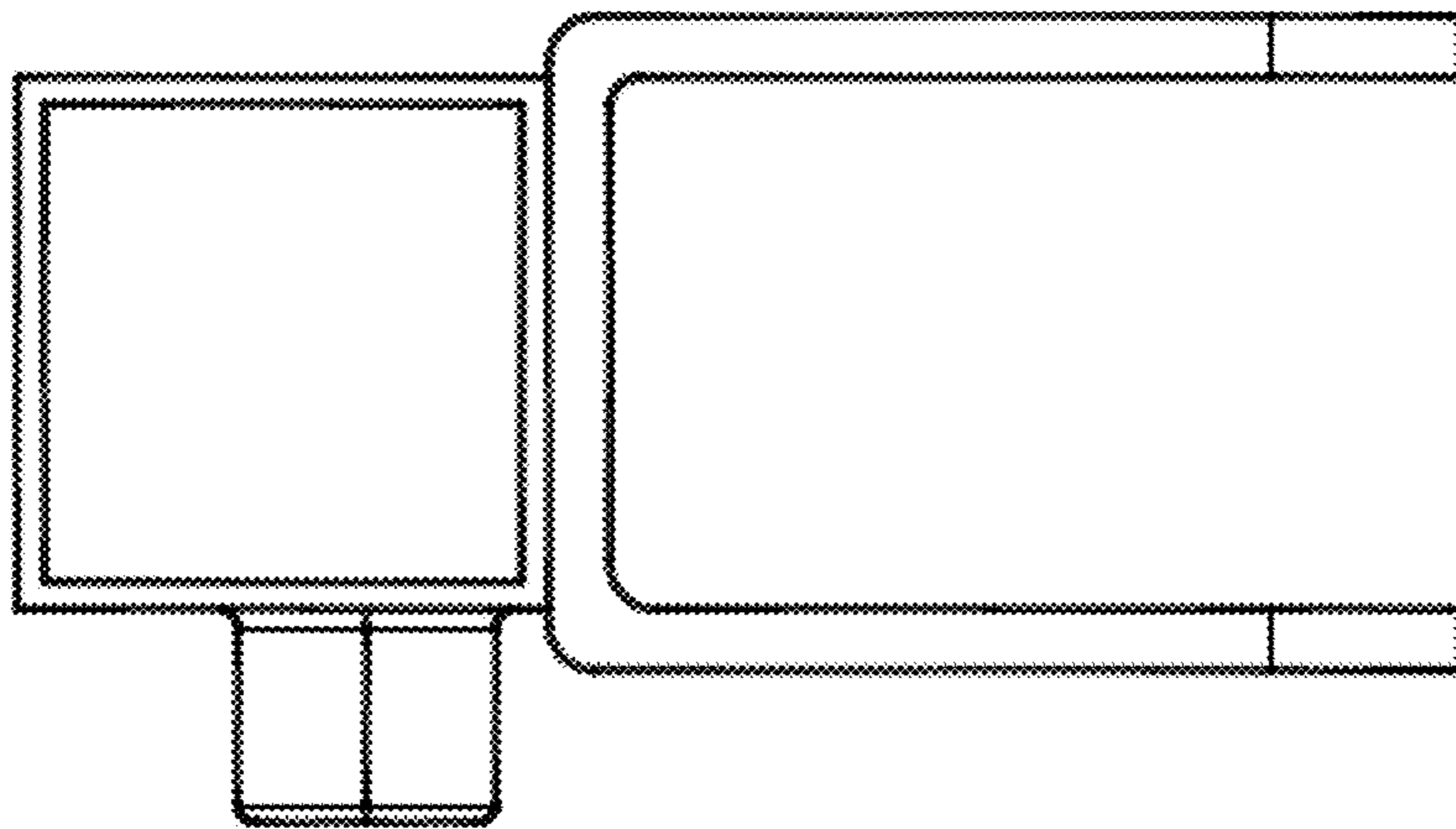


FIG. 5

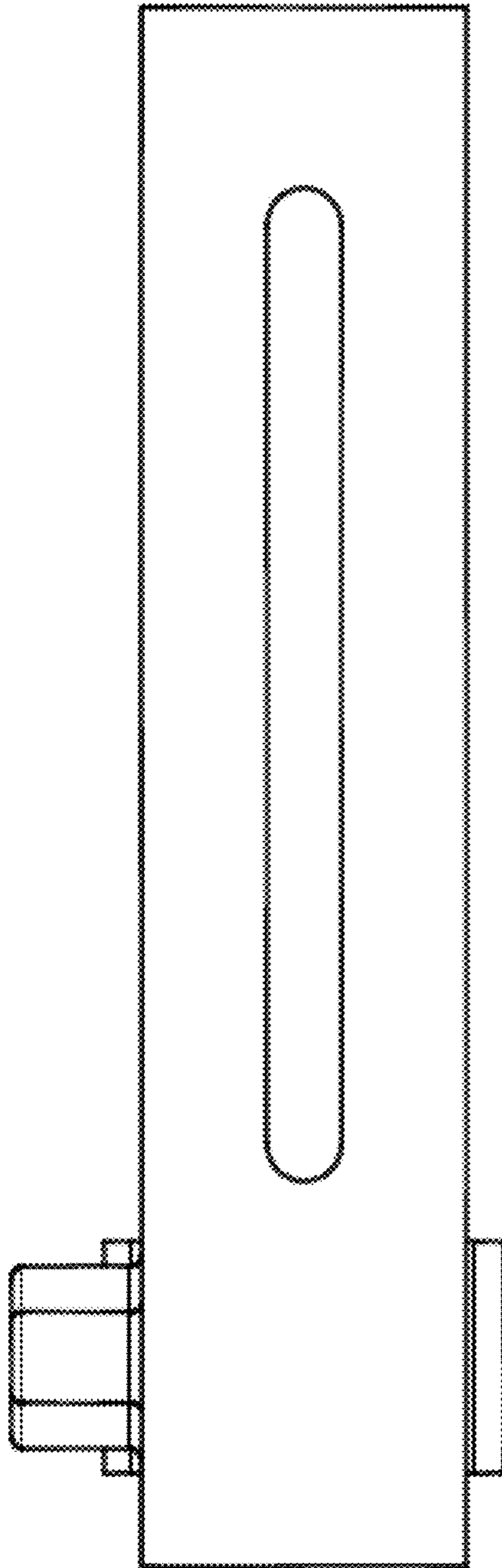


FIG. 6



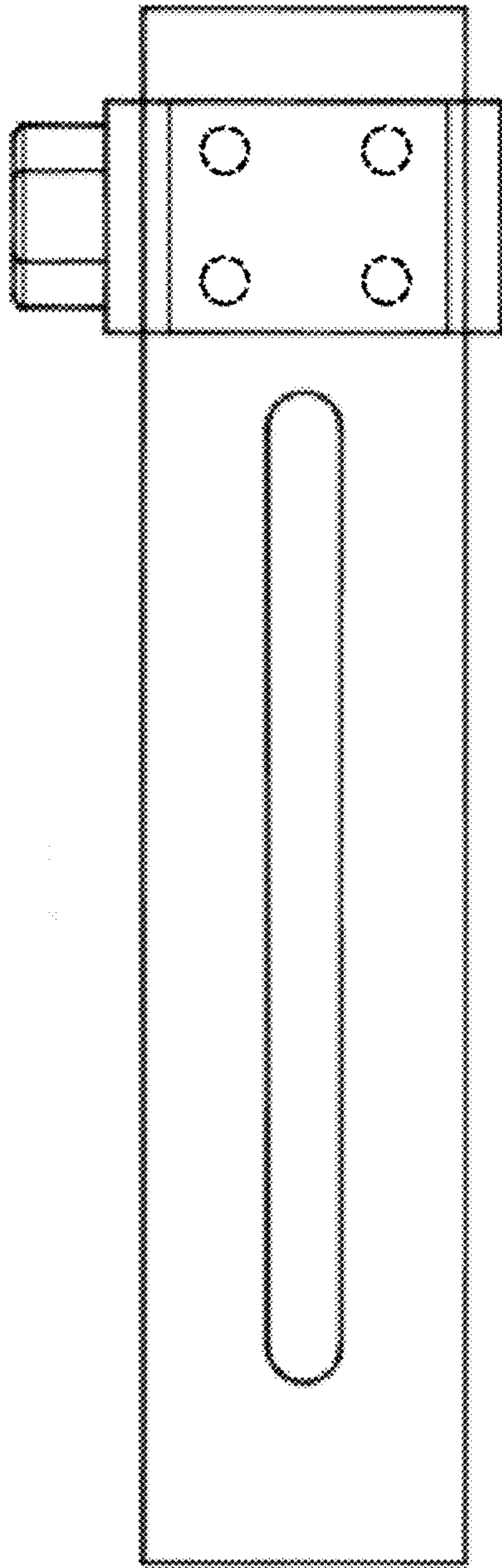


FIG. 7